



利华高贸易有限公司

Curtains Catalogue 2024

BUILD YOUR DREAMS WITH RELIABLE SOURCING FROM CHINA

 www.imexao.com

for
19+ YEARS

100D Series Accessories list for motorized curtain system



Suit size: 1060mm*300mm*75mm

300D Series Accessories list for motorized curtain system



Suit size: 1060mm*300mm*75mm

Item	Name	Picture	Specification
1	Curtain motor		1 PCS
2	Center Opening		1 PCS
3	Subsidiary Opening		1 PCS
4	Track		700mm 800mm 900mm 1000mm 4 norms
5	Belt		2m of belts for 1m track, and so on.
6	Carrier		Single Open: 1pcs for a set Double Open : 2pcs for a set
7	Ceiling Bracket		Amount of tracks+1. Eg:4pcs tracks, need 5 ceiling brackets.
8	Runners		8PCS/M
9	Hook		Single Open: 1pcs for a set Double Open : 2pcs for a set
10	Connection		1pcs for 2pcs tracks
11	BE201		1 PCS
12	BE102		1 PCS

Item	Name	Picture	Specification
1	Curtain motor		1 PCS
2	Center Opening		1 PCS
3	Subsidiary Opening		1 PCS
4	Track		700mm 800mm 900mm 1000mm 4 norms
5	Belt		2m of belts for 1m track, and so on.
6	Carrier		Single Open: 1pcs for a set Double Open : 2pcs for a set
7	Ceiling Bracket		Amount of tracks+1. Eg:4pcs tracks, need 5 ceiling brackets.
8	Runners		8PCS/M
9	Hook		Single Open: 1pcs for a set Double Open : 2pcs for a set
10	Connection		1pcs for 2pcs tracks
11	BE201		1 PCS
12	BE102		1 PCS

+ (86) 186-8880-7020

Motorized Serpentine Curtain System



Motorized Serpentine Curtain System

Center Opening Carrier Runners Ceiling Bracket Track Belt Hook Subsidiary Opening

PRODUCT FUNCTION













Manual start function	✓	Hand pull to start when power off	✓	Electronic memory stroke	✓
The third stroke point	✓	Dry contact switch	✓	Set stroke point automatically	✓



Standardized the non-standard product
Convenient transportation

CT-1 2

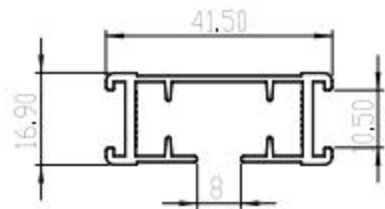
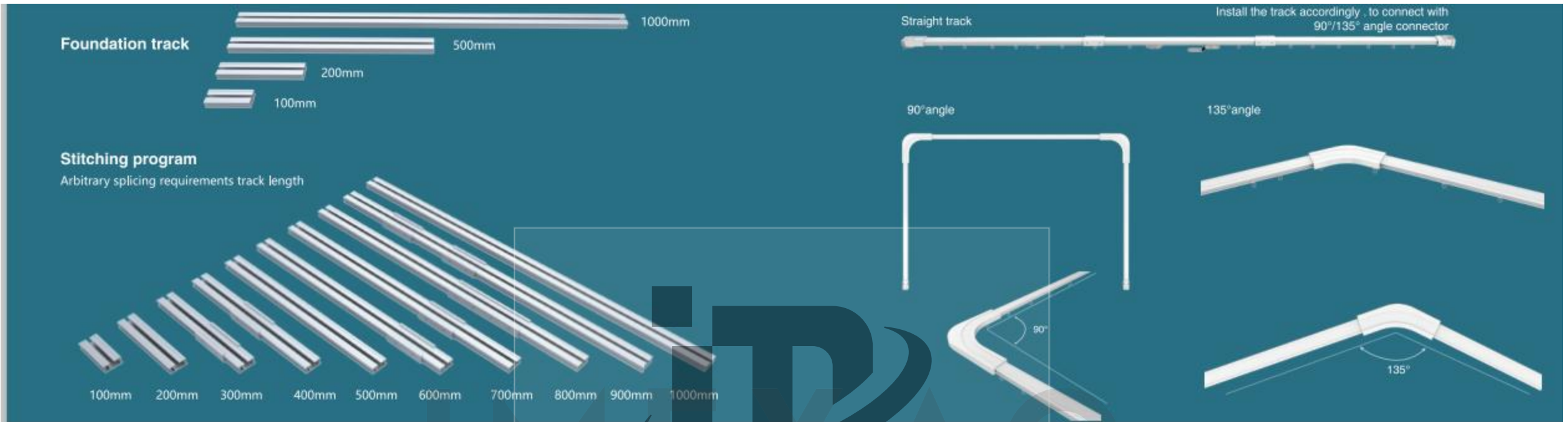
Accessories list for Motorized serpentine curtain system

Item	Name	Picture	Specification
1	Curtain motor		1 PCS
2	Center Opening		1 PCS
3	Subsidiary Opening		1 PCS
4	Track		700mm 800mm 900mm 1000mm 4 norms
5	Belt		2m of belts for 1m track, and so on.
6	Carrier		Single Open: 1pcs for a set Double Open : 2pcs for a set
7	Ceiling Bracket		Amount of tracks+1. Eg:4pcs tracks, need 5 ceiling brackets.
8	Runners		8PCS/M
9	Hook		Single Open: 1pcs for a set Double Open : 2pcs for a set
10	Connection		1pcs for 2pcs tracks
11	BE201		1 PCS
12	BE102		1 PCS

Efficient Connections Track

Quick connections of tracks
Customized dimension
Well surface processing with high technology





Splicing dedicated track design

The track is stronger
More convenient to splice

IMPORTERS & EXPORTERS

+ (86) 186-8880-7020



Splicing track special Connection

The stitching is tight and unobstructed
Realize perfect track splicing

Load-bearing List Of Track

NO.	TRACK TYPE	4M TRACKS	6M TRACKS	8M TRACKS
1		50kg	45kg	40kg
2		60kg	55kg	50kg
3		40kg	35kg	30kg
4		45kg	40kg	35kg
5		30kg	25kg	20kg
6		35kg	30kg	25kg

CT-1 4

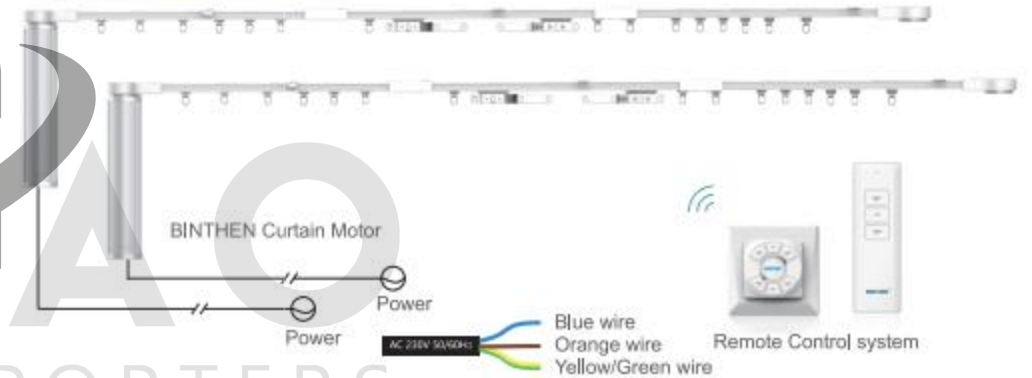
Solution



Single track solution



Double tracks solution



No power supply solution

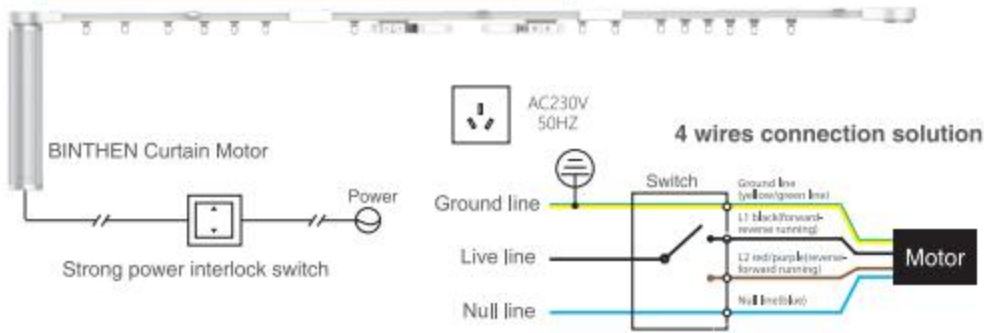
Adopt the DC curtain motor matched with chargeable Lithium battery to supply power, when there is no power socket nearby the window, use motorized curtain freely



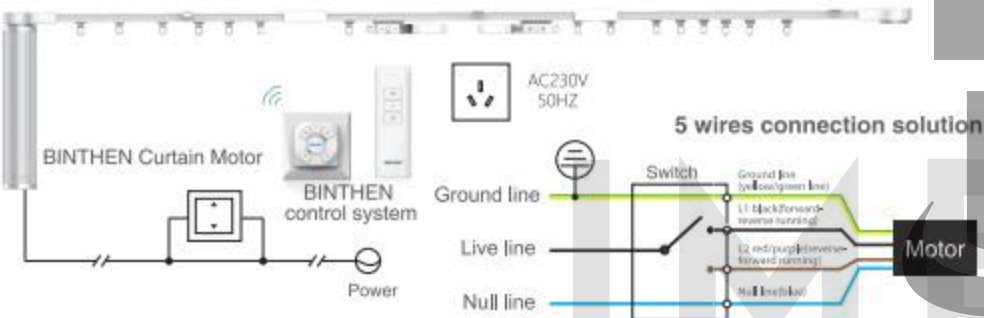
CT-1 5

(86) 186-8880-7020

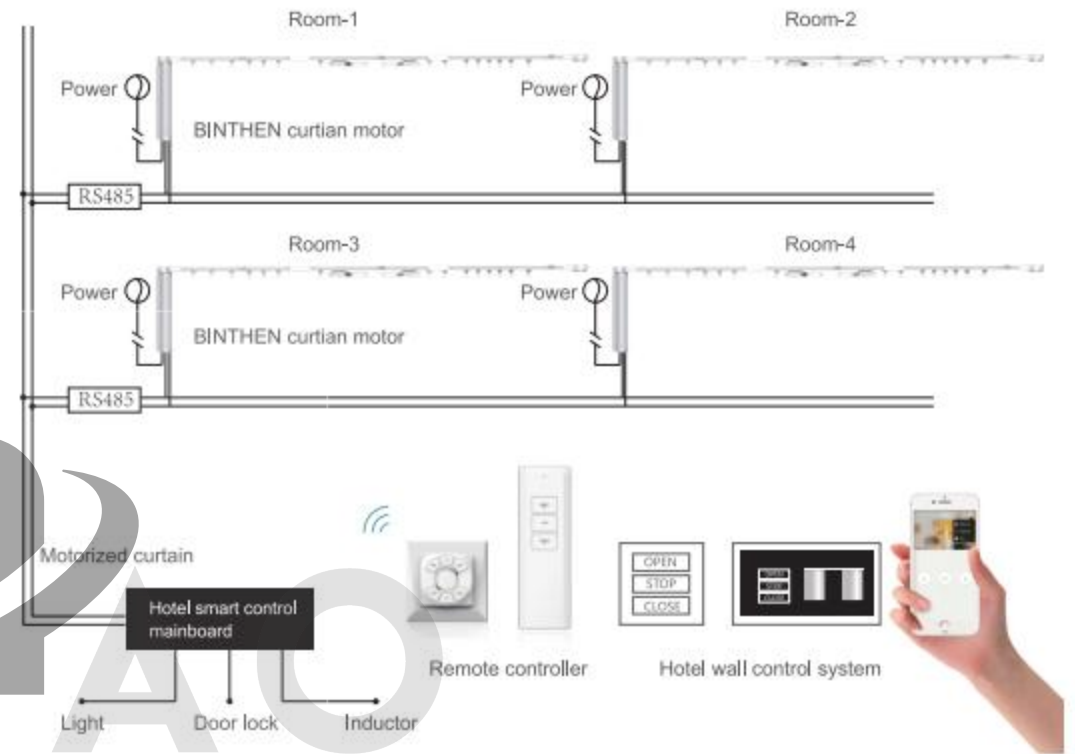
Single track strong current direct control solution



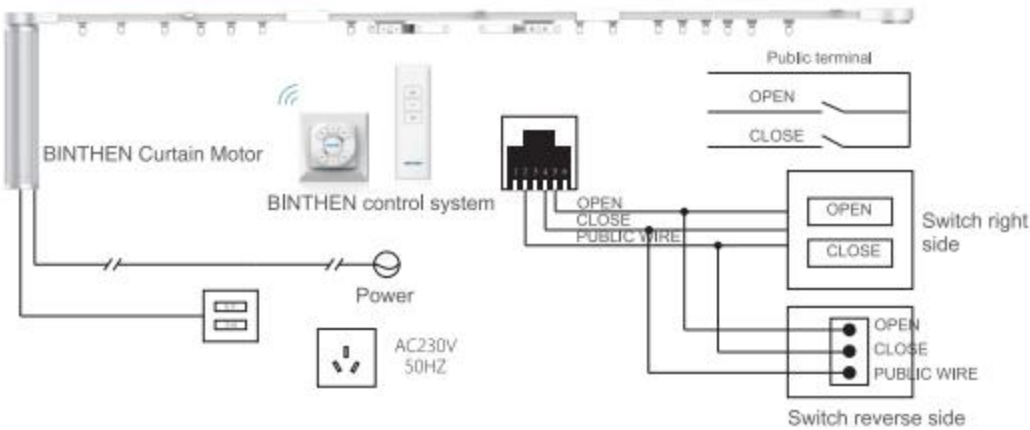
Single track strong current switch control solution



Motorized curtain motor solution



Dry touch switch



IMPORTERS EXPORTERS + (86) 186-8880-7020 smart solution

CURTAIN MOTOR

Originality Quality
Curtain Motor Give You Easy Life

CURTAIN MOTOR

- 
WIFI
- 
Super
silent
- 
Smooth
running
- 
Radio
control
- 
Manual
operation
- 
Large
load
- 
Assembled
fast
- 
High
technology

DC Curtain Motor BCM300D S series

Originality Quality
Curtain Motor Give You Easy Life



- Support RS-485 control
- RS-485 Motor
- Can be connect into smart system
- Multi-motors synchronization control
- Save cost with high quality

+ (86) 186-8880-7020

Technical Parameters

Rated Torque	Rated Voltage	Rated Consumption	Max Load	Radio Distance	IP	Warranty
1.2 NM	AC110V-230V	45W	50 KG	>50M	IP20	3 YEARS

- DC Power Motor ✓
- Support WIFI module ✓
- Smart control ✓
- Super silent running ✓

CT-1 7

CURTAIN MOTOR

- Super silent
- Smooth running
- Manual operation
- Large load
- Assembled fast
- High technology

DC Curtain Motor BCM300DC

Originality Quality
Curtain Motor Give You Easy Life

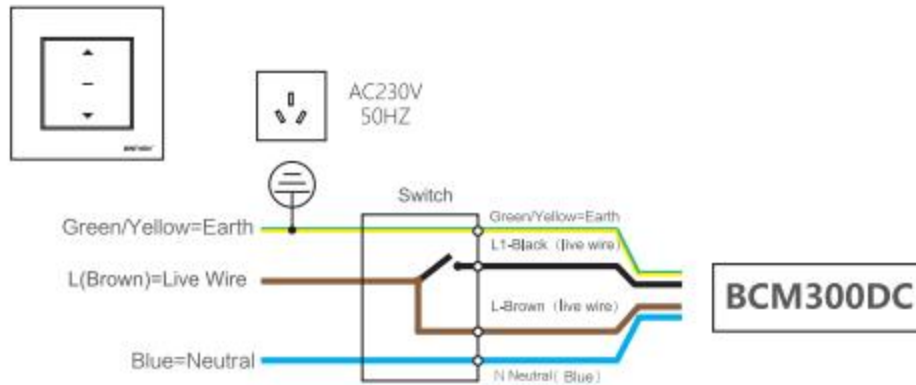


Four Wires Motor Dc Power Input
Strong Current Switch Control
Can Be Use In Projects And Hotels

Technical Parameters

Rated Torque	Rated Voltage	Rated Consumption	Max Load	Radio Distance	IP	Warranty
1.2 NM	AC110V~230V	45W	50 KG	>50M	IP20	3 YEARS

Connection



CURTAIN MOTOR

- WiFi
- Super silent
- Smooth running
- Radio control
- Manual operation
- Large load
- Assembled fast
- High technology

DC Curtain Motor BCM300D5X

Originality Quality
Curtain Motor Give You Easy Life

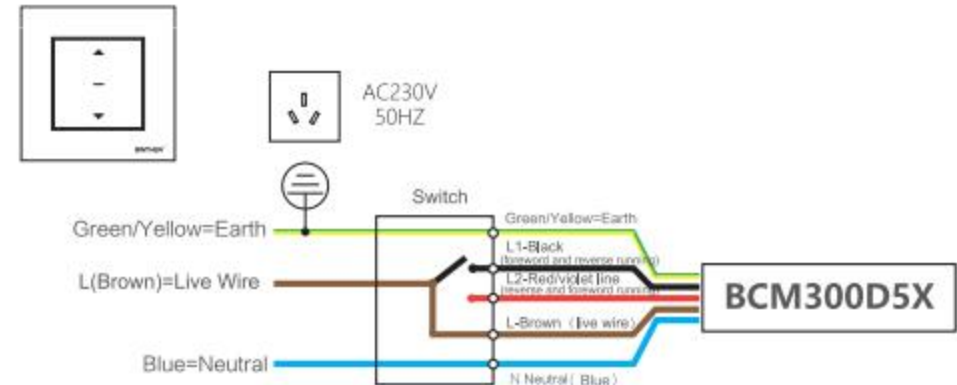


Five wires motor
Possess remote control and strong
current switch control

Technical Parameters

Rated Torque	Rated Voltage	Rated Consumption	Max Load	Radio Distance	IP	Warranty
1.2 NM	AC110V~230V	45W	50 KG	>50M	IP20	3 YEARS

Connection



CURTAIN MOTOR



DC Curtain Motor BCM100D

Originality Quality
Curtain Motor Give You Easy Life



Technical Parameters

Rated Torque	Rated Voltage	Rated Consumption	Max Load	Radio Distance	IP	Warranty
1NM	AC110V~230V	45W	50 KG	>50M	IP20	3 年

CURTAIN MOTOR



DC Curtain Motor BCM100D-RS485

Originality Quality
Curtain Motor Give You Easy Life



Support RS-485 control
RS-485 Motor
Can be connect into smart system
Ulti-motors synchronization control
Save cost with high quality

Technical Parameters

Rated Torque	Rated Voltage	Rated Consumption	Max Load	Radio Distance	IP	Warranty
1NM	AC110V~230V	45W	50 KG	>50M	IP20	3 年

RS485 bus control

Bus-control smart home system is one of the main technology from now on to a long future time because of its operation stability,safety,reliability and integrated extensibility.About choosing which kind of bus-control,you can judge from following three factors:Technical architecture,application environment and service object,BINTHEN technical teams considered safety,cost performance and practicability then launch RS485 bus-control solution.

CURTAIN MOTOR

- Super silent
- Smooth running
- Manual operation
- Large load
- Assembled fast
- High technology

DC Curtain Motor BCM100DC

Originality Quality
Curtain Motor Give You Easy Life

- Four Wires Motor Dc Power Input
- Strong Current Switch Control
- Can Be Use In Projects And Hotels

Technical Parameters

Rated Torque	Rated Voltage	Rated Consumption	Max Load	Radio Distance	IP	Warranty
1NM	AC110V~230V	45W	50 KG	>50M	IP20	3 年



CURTAIN MOTOR

- WIFI
- Super silent
- Smooth running
- Radio control
- Manual operation
- Large load
- Assembled fast
- High technology

DC Curtain Motor BCM100D5X

Originality Quality
Curtain Motor Give You Easy Life

- Five wires motor
- Possess remote control and strong current switch control

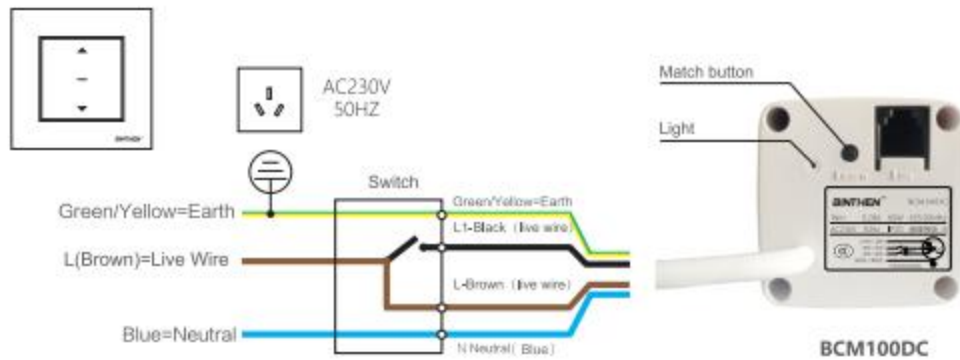
Technical Parameters

Rated Torque	Rated Voltage	Rated Consumption	Max Load	Radio Distance	IP	Warranty
1NM	AC110V~230V	45W	50 KG	>50M	IP20	3 年

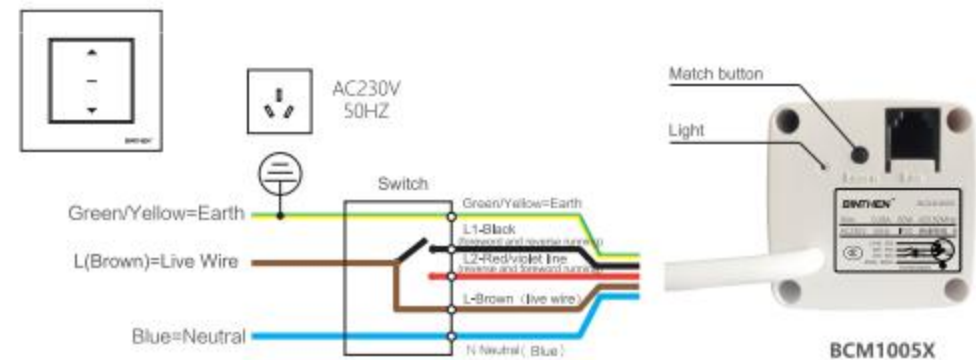


IMPORTERS EXPORTERS + (86) 186-8880-7020

Connection



Connection



CURTAIN MOTOR



DC Curtain Motor BCM100DB

Originality Quality
Curtain Motor Give You Easy Life

Low Power Consumption Dc Motor
Possess Battery Power
Lithium Cell Power



Technical Parameters

Rated Torque	Rated Voltage	Rated Consumption	Max Load	Radio Distance	IP	Warranty
1NM	DC12V	45W	50 KG	>50M	IP20	3年

Battery box for motorized curtain system



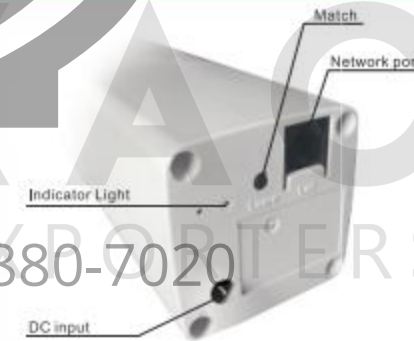
Easy to install, high capacity, support long working time

Easy to solve no power plug nearby the window
No need to rewiring
Convenient and fast
Long battery life with fast charge

Power supplied by battery, connect motor and battery by DC-DC cable, very convenient. Remove the battery to charge, it can be charging more than 300 times.

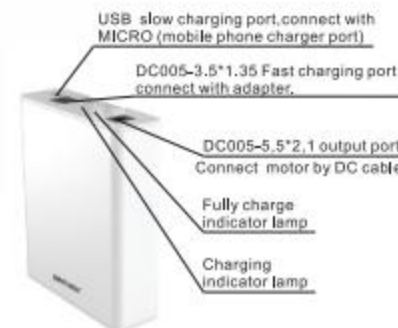
Battery capacity: 2200MAH
Battery voltage: 12V
Maximum output current: 4A
slow charge input: 5V/2A
fast charge input: 16.8V/1.4A

Lithium Cell



DC-DC cable
Both plugs are DC005-5.5*2.1
The length is 1.5M

+ (86) 186-8880-7020



Battery box instruction

1. There are 3 ports (2 of them are charging ports) and 2 indicators;
2. DC005-3.5*1.35 is fast charging port, charging by adapter mostly, charging time is about 2.5h;
3. MICRO is slow charging port, Charging by 5V/1.5A (or over) phone charger, charging time is about 8h;
4. Output port is DC005-5.5*2.1, connect DC-DC cable to motor to supply power;
5. Red light means charging, Green light means charging over.

Wiring method

Connect motor with battery box by DC-DC cable, two sides DC cable are the same. One side plug cable into DC output port and the other side plug into discharging output port of battery box. The DC-DC cable is 1.5M, easy to remove and charging.

Charging reminder

If users find the motor make "didi" noise, it means lack of power, should charge it.

INTELLIGENT CONTROL SYSTEM

Easy control Easy using

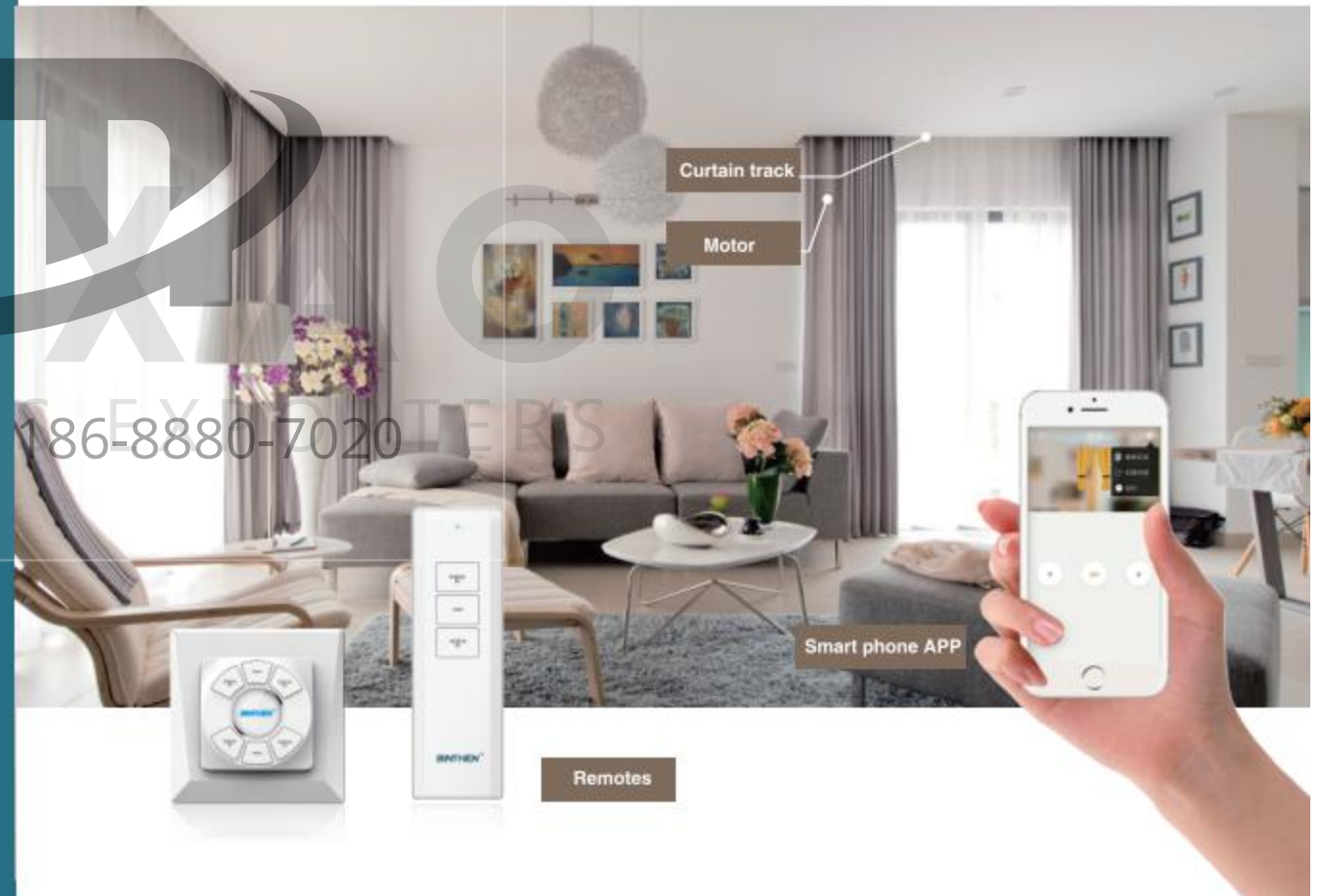
Low power consumption, stable signal
Easy using for all families



INTELLIGENT CONTROL SYSTEM

Mobile Phone Control Intelligent Operate

Intelligent linkage Remote smart control
Easy to set up Multi-room under control
Change scene mode easily



CT-1 12

Motorized curtain smart control solution

Z-wave protocol connect control



Z-WAVE protocol smart control

Z-WAVE ALLIANCE now contains more than 160 famous corporations ,almost cover all over the world ,any country ,any district ,the members in the organization are the manufacturers who already has their products in smart home field ,BINTHEN curtain motor has finished the connections with Z-WAVE protocol ,can realize smart control easily

Z-WAVE Features:

- 1.Through pre-installed encapsulating functionality to set up the strongest smart home control system ,so that ensure connections among thousands of products in the world .
- 2.Z-WAVE focuses on setting a international standard wireless protocol in smart home field ,it is perfect because its technical operation stability and product diversification.
- 3.Working frequency is permitted by national legal ,communication distance is farther and less interference compared with other protocols .
- 4.Has perfect response mechanism,support adhoc network ,and very low consumption,easy structure,stable function,a good choice for family DIY .
- 5Support equipment linkage, through the sensors to collect data to realize the intelligent linkage control, does not rely on artificial meddle.



Z-WAVE Working frequency

China /MHz	America /MHz	Europe /MHz	Austrial /MHz	Japan /MHz	Malisia /MHz	Russia /MHz
868.4	908.4/ 916	868.4	919.8/ 921.4	922.5/ 923.9/ 926.3	868.1	869.0

Motorized curtain smart control solution

WIFI intelligent control

Features :

- Set up a network through WIFI and router ,realize the local/remote control , enjoy the smart home anywhere
- Adopt the intelligent wireless match code ,control the appliances freely
- Support many kinds of scene modes ,timing modes , get different control experiences
- You can add or delete appliances at the terminal control side ,set different modes

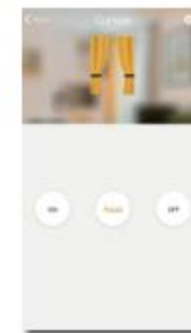


APP

WIFI control box



Remote controller



Remote Controller



BE101

Wall Design
Single Channel

Power Supply: 3V (CR2032)
Output frequency : 433.92MHz
Output Power: 10mw
Working Temperature: -10 C~50 C
Distance: >50 m

Wall assembling



BE102

Wall Design
Double Channel

Power Supply: 3V (CR2032)
Output frequency ; 433.92MHz
Output Power: 10mw
Working Temperature: -10 C~50 C
Distance: >50 m

Wall assembling

Remote Controller



BE201

Single Channel

Power Supply: 2*1.5V (AAA)
Output frequency : 433.92MHz
Output Power: 10mw
Working Temperature: -10 C~50 C
Distance: >50 m

Wall bracket for option



BE202

Two Channel

Power Supply: 2*1.5V (AAA)
Output frequency : 433.92MHz
Output Power: 10mw
Working Temperature: -10 C~50 C
Distance: >50 m

Wall bracket for option



BE206

Six Channel

Power Supply: 2*1.5V (AAA)
Output frequency : 433.92MHz
Output Power: 10mw
Working Temperature: -10 C~50 C
Distance: >50 m

Wall bracket for option

+ (86) 186-8880-7020



CT-1 15

MOTORIZED LIFT CURTAIN

Standardized assemble scheme Adjustable size
Systematic design Easy to assemble



Adopt easy disassembly design, easy to install and remove the motor
Be used for straight curtain tracks

The motor has been patented on clutch, and the stroke can be set automatically, can be control manually and by remote
Radio receiver can be make inside or outside of motor, can be connect with other control systems, easy to make smart control
Minimal noise, minimal vibrate
High quality full coating track, move by belt with stainless steel wires

- 
Assemble lift
- 
Wifi
- 
Super silent
- 
Smooth running
- 
Manual operation
- 
Radio control
- 
Large load
- 
Assembled fast
- 
High technology

PATENTED TELESCOPIC STRUCTURE SYSTEM

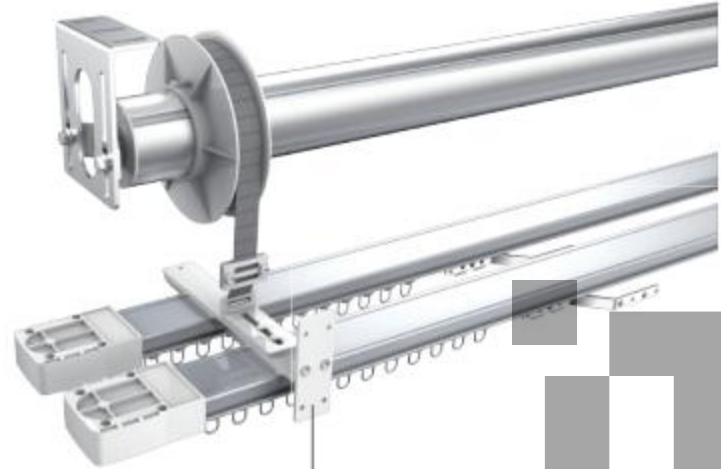


Patented telescopic structure design
Safe and reliable Achieve adapt to different size by telescopic length
Adjustable size No need to customize Assemble sales way

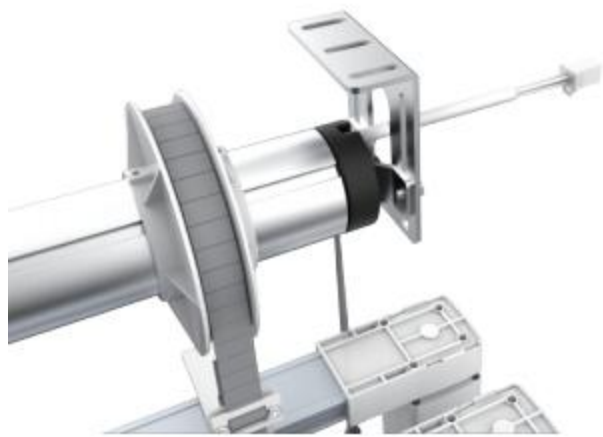


ACCESSORIES

Easy to install
 High strength belt, strong and durable
 Easy to adjust



This place is for curtain head



Terminal for tubular motor
 Easy to connect wires

MOTORIZED CURTAIN SYSTEM

Using motorized curtain system from BINTHEN
 Selling whole set of motorized curtain ,Best quality.
 With adjustable track system, adjustable every length you need



Motorized curtain system Features	
Manual switch ✓	Manual operation without power ✓
Third limit position ✓	Dry contact control ✓
Electronical Position ✓	
Automatic position setting ✓	

Noted: More model and parameters of motor, Please refer to the part of Motor introduction.



CT-1 18

Motorized Rome Pole System



Other Color



Accessory list of motorized Rome pole system

Item	Name	Picture	Description/Quantity
1	Center opening		1pcs
2	Subsidiary opening		1pcs
3	Track		customized length
4	Carrier		1pcs for single opening 2pcs for double opening
5	Curtain motor		1pcs
6	Belt		customized
7	Hand-held emitter		1pcs
8	wall type emitter		Optional



+ (86) 186-8880-7020

CT-1 20

Thank You

We appreciate your time and attention. If you have any questions or need further information, please feel free to reach out.

 **CHINA OFFICE**

Room 19, 2nd Floor DeYi Commercial Building Construction Road No. 4th, Lecong Town Shunde Foshan, Guangdong, Postal code: 528 315

佛山市顺德区乐从镇建设路四号德怡商业大厦北门二楼19-3铺 528315

 + (86) 186-8880-7020  goldy@imexao.com



@imexao