



利华高贸易有限公司

# Hardware Catalogue 2024

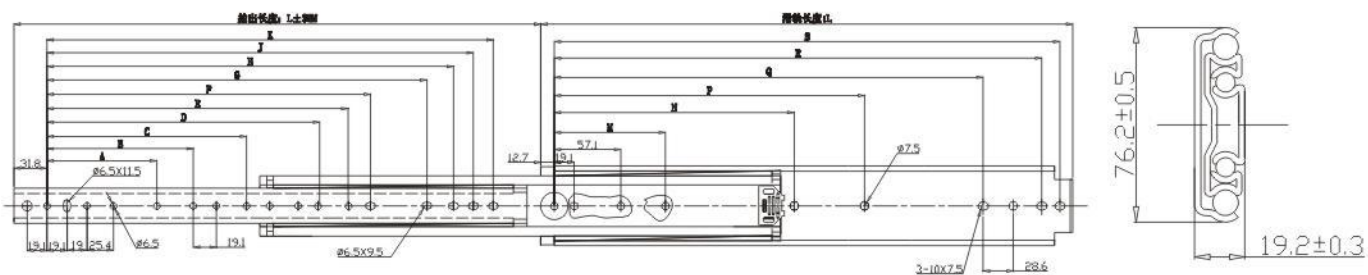
BUILD YOUR DREAMS WITH RELIABLE SOURCING FROM CHINA

 [www.imexao.com](http://www.imexao.com)

for  
19+ YEARS

# 7601T 三节重型全抽出滚珠滑轨

## 3FOLD FULL EXTENSION HEAVY LOAD BALL BEARING SLIDE



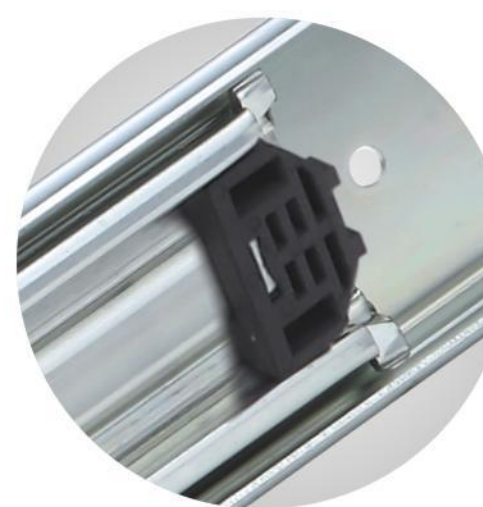
型号	长度	L	A	B	C	D	E	F	G	H	J	K	M	N	P	Q	R	S
7601T-60"	1524	1524	127	190.5	368.3	520.7	825.5	1312.9	1373.1	1398.5	1417.6	1436.6	234.9	596.9	958.8	1422.4	1479.6	1498.6
7601T-58"	1473.2	1473.2	127	190.5	368.3	520.7	825.5	1262.1	1322.3	1347.7	1366.8	1385.8	234.9	596.9	958.8	1371.6	1428.8	1447.8
7601T-56"	1422.4	1422.4	127	190.5	368.3	520.7	825.5	1211.3	1271.5	1296.9	1316	1335	234.9	596.9	958.8	1320.8	1378	1397
7601T-54"	1371.6	1371.6	127	190.5	368.3	520.7	825.5	1160.5	1220.7	1246.1	1265.2	1284.2	234.9	596.9	958.8	1270	1327.2	1346.2
7601T-52"	1320.8	1320.8	127	190.5	368.3	520.7	825.5	1109.7	1169.9	1195.3	1214.4	1233.4	234.9	596.9	958.8	1219.2	1276.4	1295.4
7601T-50"	1270	1270	127	190.5	368.3	520.7	825.5	1058.9	1119.1	1144.5	1163.6	1182.6	234.9	596.9	958.8	1168.4	1225.6	1244.6
7601T-48"	1219.2	1219.2	127	190.5	368.3	520.7	825.5	1008.1	1068.3	1093.7	1112.8	1131.8	234.9	596.9	958.8	1117.6	1174.8	1193.8
7601T-46"	1168.4	1168.4	127	190.5	368.3	520.7	723.9	959.3	1017.5	1042.9	1062	1081	234.9	571.5	908.1	1066.8	1124	1143
7601T-44"	1117.6	1117.6	127	190.5	368.3	520.7	723.9	906.5	966.7	992.1	1011.2	1030.2	234.9	546.1	857.3	1016	1073.2	1092.2
7601T-42"	1066.8	1066.8	127	190.5	368.3	520.7	723.9	855.7	915.9	941.3	960.4	979.4	234.9	520.7	806.5	965.2	1022.4	1041.4
7601T-40"	1016	1016	127	190.5	368.3	520.7		804.9	865.1	890.5	909.6	928.6	234.9	495.3	755.7	914.4	971.6	990.6
7601T-38"	965.2	965.2	127	190.5	368.3	520.7		754.1	814.3	839.7	858.8	877.8	234.9	469.9	704.9	863.6	920.8	939.8
7601T-36"	914.4	914.4	127	190.5	368.3	520.7		703.3	763.5	788.9	808	827	234.9	444.5	654.1	812.8	870	889
7601T-34"	863.6	863.6	127	190.5	368.3	469.9		652.5	712.7	738.1	757.2	776.2	234.9	419.1	603.3	762	819.2	838.2
7601T-32"	812.8	812.8	127	190.5	368.3			601.7	661.9	687.3	706.4	725.4	234.9	393.7	552.5	711.2	768.4	787.4
7601T-30"	762	762	127	190.5	368.3			550.9	611.1	636.5	655.6	674.6	234.9		501.6	660.4	717.6	736.6
7601T-28"	711.2	711.2	127	190.5				500.1	560.3	585.7	604.8	623.8				609.6	666.8	685.8
7601T-26"	660.4	660.4	127	190.5				449.3	509.5	534.9	553.9	573				558.8	615.9	635
7601T-24"	609.6	609.6	127	190.5				398.5	458.7	484.1	503.2	522.2				508	565.2	584.2
7601T-22"	558.8	558.8	127	190.5				347.7	407.9	433.3	452.4	471.4				457.2	514.4	533.4
7601T-20"	508	508	127	190.5				296.9	357.1	382.5	401.6	420.6				406.4	463.6	482.6
7601T-18"	457.2	457.2	127					246.1	306.3	331.7	350.8	369.8				355.6	412.8	431.8
7601T-16"	406.4	406.4	127						255.5	280.9	299.9	319				304.8	362	381
7601T-14"	355.6	355.6							204.7	230.1	249.2	268.2				254	322.2	332.2
7601T-12"	304.8	304.8							153.9	179.3	198.4	217.4				203.2	260.4	279.4
7301T-10"	254	254							103.1	128.5	147.6	166.6				152.4	209.6	228.6



186-8880-7020

- 应用: 商场仓库货柜、机柜、工业用抽屉、特种车辆、金融设备
- 特点: 重型滑轨,全抽出+15mm,32mm孔位,不可分离
- 额定负荷: 220kg/450mm(18")
- 规格: 10"-60"
- 表面处理: 镀蓝锌、黑色

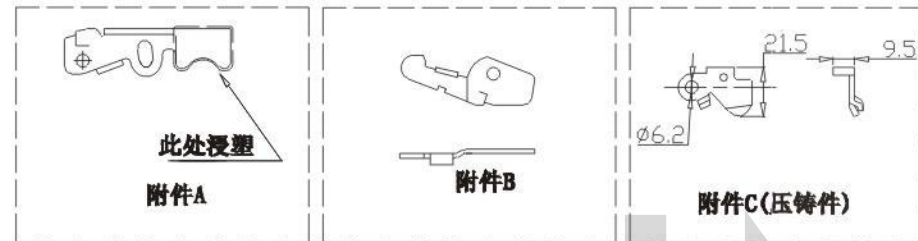
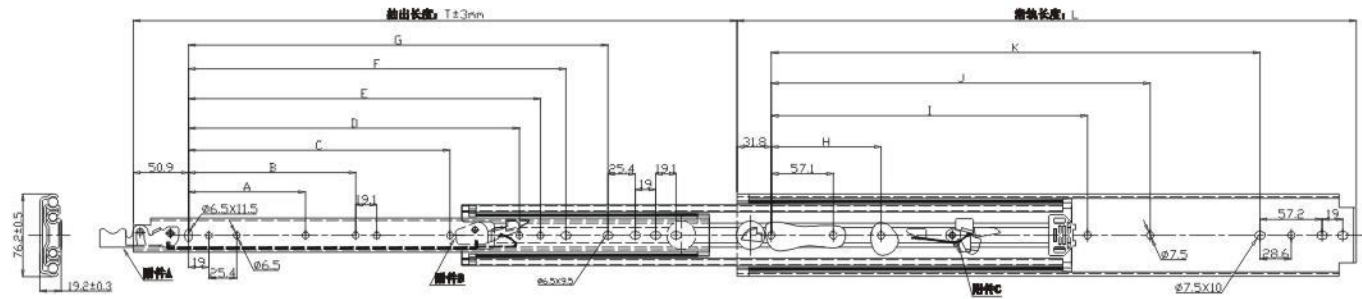
- Application: Goods shelf of warehouse、Cabinets、industry-used drawer
- Features: heavy load slide ,full extension+15mm,32mm Holes,inseparable
- Rated load: 220kg/450mm(18")
- Specifications: 10"-60"
- Surface treatment: galvanizing blue zinc,black



HW-1 01

# 7603T 三节重型全抽出定位滑轨(带锁定装置)

## 3FOLD FULL EXTENSION HEAVY LOAD SLIDE WITH LOCK MECHANISM



型号	T	L	A	B	C	D	E	F	G	H	I	J	K
7603T-12"	304.8	304.8							134.8				184.1
7603T-14"	355.6	355.6							185.6				234.9
7603T-16"	406.4	406.4	107.9						236.4				285.7
7603T-18"	457.2	457.2	107.9						287.2				336.5
7603T-20"	508	508	107.9	171.4				277.8	338				387.3
7603T-22"	558.8	558.8	107.9	171.4				328.6	388.8				438.1
7603T-24"	609.6	609.6	107.9	171.4				379.4	439.6				488.9
7603T-26"	660.4	660.4	107.9	171.4				430.2	490.4				539.7
7603T-28"	711.2	711.2	107.9	171.4				481	541.2				590.5
7603T-30"	762	762	107.9	171.4	349.2			531.8	592	215.8		482.6	641.3
7603T-32"	812.8	812.8	107.9	171.4	349.2			582.6	642.8	215.8	374.6	533.4	692.1
7603T-34"	863.6	863.6	107.9	171.4	349.2	450.8		622.4	693.6	215.8	400	584.2	742.9
7603T-36"	914.4	914.4	107.9	171.4	349.2	501.6		684.2	744.4	215.8	425.4	635	793.7
7603T-38"	965.2	965.2	107.9	171.4	349.2	501.6		735	795.2	215.8	450.8	685.8	844.5
7603T-40"	1016	1016	107.9	171.4	349.2	527		785.8	846	215.8	476.2	736.6	895.3
7603T-42"	1066.8	1066.8	107.9	171.4	349.2		704.8	836.6	896.8	215.8	501.6	787.4	946.1
7603T-44"	1117.6	1117.6	107.9	171.4	349.2		704.8	887.4	947.6	215.8	527	838.2	996.9
7603T-46"	1168.4	1168.4	107.9	171.4	349.2	501.6	704.8	938.2	998.4	215.8	552.4	889	1047.7
7603T-48"	1219.2	1219.2	107.9	171.4	349.2	501.6	806.4	989	1049.2	215.8	577.8	939.7	1098.5



- 应用: 商场仓库货柜、机柜、工业用抽屉、金融设备、特种车辆
- 特点: 重型滑轨,全抽出+15mm,32mm孔位,不可分离锁定装置  
可防止抽屉随意滑出
- 额定负荷: 220kg/450mm(18")
- 规格: 12"-60"
- 表面处理: 镀蓝锌、黑色

- Application: heavy: Goods shelf of warehouse, Cabinets, industry-used drawer
- Features: load slide ,full extension+15mm,32mm Holes,inseparable
- Rated load: 220kg/450mm(18")
- Specifications: 12"-60"
- Surface treatment: galvanizing blue zinc,black

# 5701T 三节重型全抽出滚珠滑轨

3FOLD FULL EXTENSION HEAVY LOAD BALL BEARING SLIDE



型号	L	T	A	B	C	D	E	F	G	H
16"	400	400	64	288				96	288	
18"	450	450	64	192	352			128	352	
20"	500	500	64	224	384			160	384	
22"	550	550	64	256	448			192	448	
24"	600	600	64	256	416	512		192	480	
26"	650	650	64	192	288	448	544	224	384	544
28"	700	700	64	192	320	480	608	224	416	576
30"	750	750	64	192	352	512	640	224	416	640
32"	800	800	64	192	384	544	704	224	480	704
34"	850	850	64	192	416	576	736	224	512	736
36"	900	900	64	192	448	608	800	224	512	800

- 应用: 办公家具、机柜、橱柜及家用抽屉、工业用抽屉、特种车辆、金融设备
- 特点: "32mm" 系列孔位; 带可分离胶脱门
- 额定负荷: 125kg/450mm(18")
- 规格: 10"-36"
- 表面处理: 镀蓝锌、黑色

- Application: office furniture、cabinet、kitchen and home furniture drawer、Industrial used drawer
- Features: "32mm" hole serials;with separable loose bolt
- Rated load: 125kg/450mm(18")
- Specifications : 10"-36"
- Surface treatment: galvanizing blue zinc,black



# 5301T 三节重型钢珠滑轨

3FOLD FULL EXTENSION HEAVY LOAD BALL BEARING DRAWER SLIDE



SIZE	L	A	B	C	D	E	F	G	H	T	单位:MM
12"	300	192	/	/	192					300	
14"	350	256	/	/	64	224	/	/	/	350	
16"	400	96	288	/	64	288	/	/	/	400	
18"	450	128	320	/	64	192	320	/	/	450	
20"	500	160	384	/	64	224	384	/	/	500	
22"	550	160	416	/	64	256	416	/	/	550	
24"	600	192	480	/	64	256	416	480	/	600	
26"	650	224	384	512	64	192	288	448	512	650	
28"	700	224	416	576	64	192	320	480	576	700	
30"	750	224	448	608	64	192	352	512	608	750	
32"	800	224	480	672	64	192	384	544	672	800	
34"	850	224	512	736	64	192	416	576	736	850	
36"	900	224	512	768	64	192	448	608	768	900	
38"	950	224	576	832	64	192	480	640	832	950	
40"	1000	224	640	864	64	192	480	672	864	1000	

- 应用: 办公用具、机柜、橱柜或家用抽屉、特种车辆、金融设备
- 特点: "32mm"系列孔位;带可分离松脱门
- 行程: 超行程(产品长+15mm)
- 额定负荷: 115kg/450mm(18")
- 规格: 12"-40"
- 表面处理: 镀蓝锌, 黑色

- Application: office furniture、cabinet、kitchen and home furniture drawer
- Features: "32mm"hole serials;Inseparable
- Traveling schedule: Overtravel (product long +15mm)
- Rated load: 115kg/450mm(18")
- Specifications: 12"-40"
- Surface treatment: galvanizing blue zinc,black



# 5303T 三节全抽出重型滚珠滑轨(带锁定装置)

3FOLD FULL EXTENSION HEAVY LOAD SLIDE WITH LOCK MECHANISM

# 5302T 三节全抽出挂插式重型滚珠滑轨

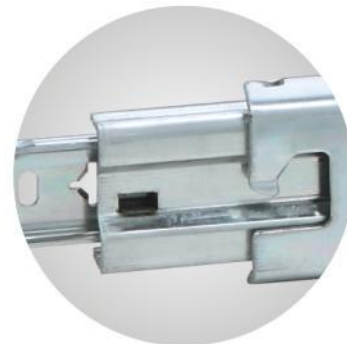
3FOLD FULL EXTENSION HEAVY LOAD DRAWER SLIDE WITH BAYONET MOUNT



IMPORTERS  
 IMPORTERS EXPORTERS  
 + (86) 186-8880-7020

- 应用: 商场仓库货柜、机柜、工业用抽屉、金融设备、特种车辆
- 特点: 重型滑轨, 全抽出, 不可分离和带可分离胶脱门, 锁定装置可防止抽屉随意滑出。
- 额定负荷: 115kg/450mm(18")
- 规格: 12"-40"
- 表面处理: 镀蓝锌、黑色

- Application : Goods shelf of warehouse、Cabinet 、industry used drawer
- Features: sliding roller track,full extension inseparable with separable
- Rated load: 115kg/450mm(18")
- Specifications : 12"-40"
- Surface treatment: galvanizing blue zinc



- 应用: 商场仓库货柜、机柜、工业用抽屉、金融设备、特种车辆
- 特点: 重型滑轨, 全抽出, 不可分离和带可分离胶脱门
- 额定负荷: 115kg/450mm(18")
- 规格: 14"-32"
- 表面处理: 镀蓝锌

- Application: Goods shelf of warehouse、Cabinet、industry used drawer
- Features: Heavy load slide,full extension inseparable with separable loose bolt
- Rated load: 115kg/450mm(18")
- Specifications: 14"-32"
- Surface treatment: galvanizing blue zinc



HW-1 04

# 5301TZ 三节重型防倾倒滑轨

3FOLD HEAVY LOAD ANTI-TILT BALL BEARING DRAWER SLIDE

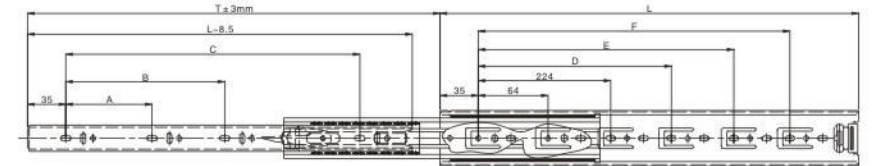
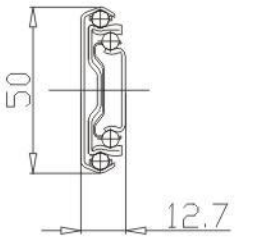


- 应用: 办公用具、机柜、橱柜或家用抽屉
- 特点: "32mm"系列孔位;带可分离松脱门, 组合安装使用, 且一次只能抽出一个抽屉, 防止柜子倾倒。
- 行程: 超行程(产品长+15mm)
- 额定负荷 : 115kg/450mm(18")
- 规格: 14"-32"
- 表面处理: 镀蓝锌, 黑色

- Application: office furniture, cabinet, kitchen and home furniture drawer
- Features: "32mm"hole serials;Inseparable
- Traveling schedule: Overtravel (product length +15mm)
- Rated load: 115kg/450mm(18")
- Specifications: 14"-32"
- Surface treatment: galvanizing blue zinc,black

# 5101T 三节全抽出重型滚珠滑轨

3FOLD FULL EXTENSION HEAVY LOAD BALL BEARING DRAWER SLIDE



SIZE	L	A	B	C	D	E	F	T	单位:MM
12"	300	96	192	/	/	/	/	300	
14"	350	128	256	/	/	/	/	350	
16"	400	128	320	/	288	/	/	400	
18"	450	160	352	/	352	/	/	450	
20"	500	192	416	/	352	416	/	500	
22"	550	224	448	/	352	416	/	550	
24"	600	224	512	/	352	480	/	600	
26"	650	256	544	/	352	512	/	650	
28"	700	288	608	/	352	480	608	700	
30"	750	288	640	/	352	480	608	750	
32"	800	256	512	714	352	480	672	800	

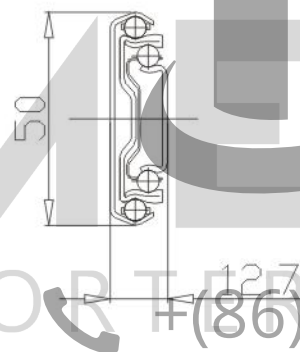
- 应用: 办公用具、机柜、橱柜或家用抽屉
- 特点: "32mm"系列孔位;带可分离松脱门
- 行程: 超行程(产品长+15mm)
- 额定负荷: 68kg/450mm(18")
- 规格: 12"-32"
- 表面处理: 镀蓝锌, 黑色

- Application: office furniture, cabinet, kitchen and home furniture drawer
- Features: "32mm"hole serials;with separable loose bolt
- Traveling schedule: Overtravel (product length +15mm)
- Rated load: 68kg/450mm(18")
- Specifications: 12"-32"
- Surface treatment: galvanizing blue zinc,black



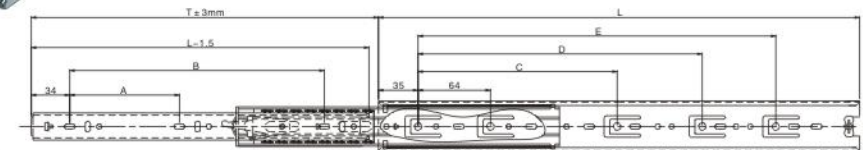
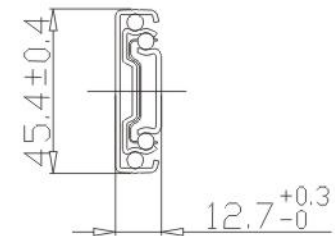
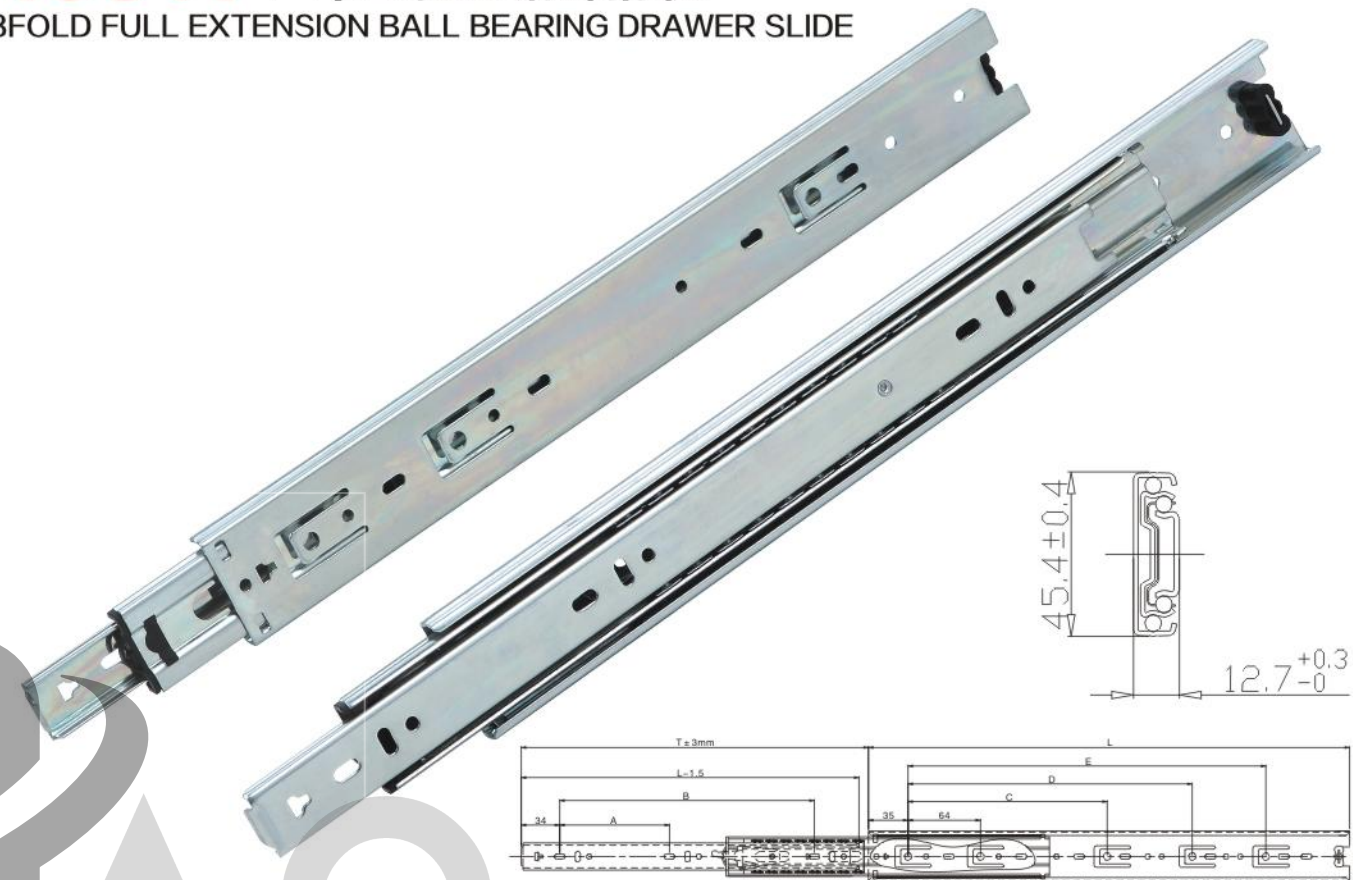
# 5103T 三节重型定位滑轨(带锁定装置)

3FOLD FULL EXTENSION BALL BEARING DRAWER SLIDE WITH LOCK MECHANISM



# 4501T 三节全抽出钢珠滑轨

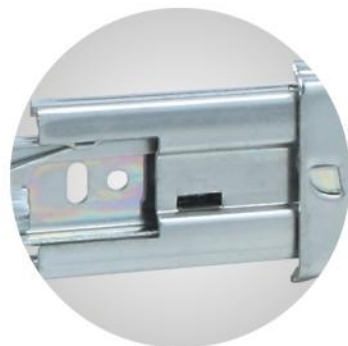
3FOLD FULL EXTENSION BALL BEARING DRAWER SLIDE



SIZE	L	A	B	C	D	E	T	单位:MM
10"	250	64	192	160	/	/	265	
12"	300	96	224	224	/	/	315	
14"	350	96	256	224	/	/	365	
16"	400	128	320	224	288	/	415	
18"	450	160	352	224	352	/	465	
20"	500	192	416	224	352	416	515	
22"	550	192	448	224	352	416	565	
24"	600	224	512	224	352	480	615	

- 应用: 办公用具、机柜、橱柜或家用抽屉
- 特点: "32mm"系列孔位;带可分离松脱门, 锁定装置可防止抽屉随意滑出。
- 行程: 超行程(产品长+15mm)
- 额定负荷: 68kg/450mm(18")
- 规格: 14"-36"
- 表面处理: 镀蓝锌, 黑色

- Application: office furniture, cabinet, kitchen and home furniture drawer
- Features: "32mm"hole serials;inseparable
- Traveling schedule: Overtravel (product length +15mm)
- Rated load: 68kg/450mm(18")
- Specifications: 14"-36"
- Surface treatment: galvanizing blue zinc,black



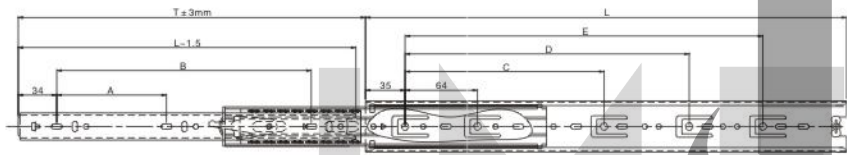
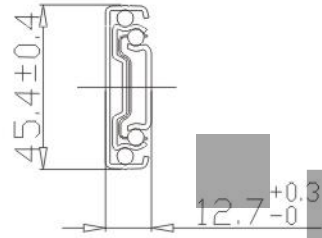
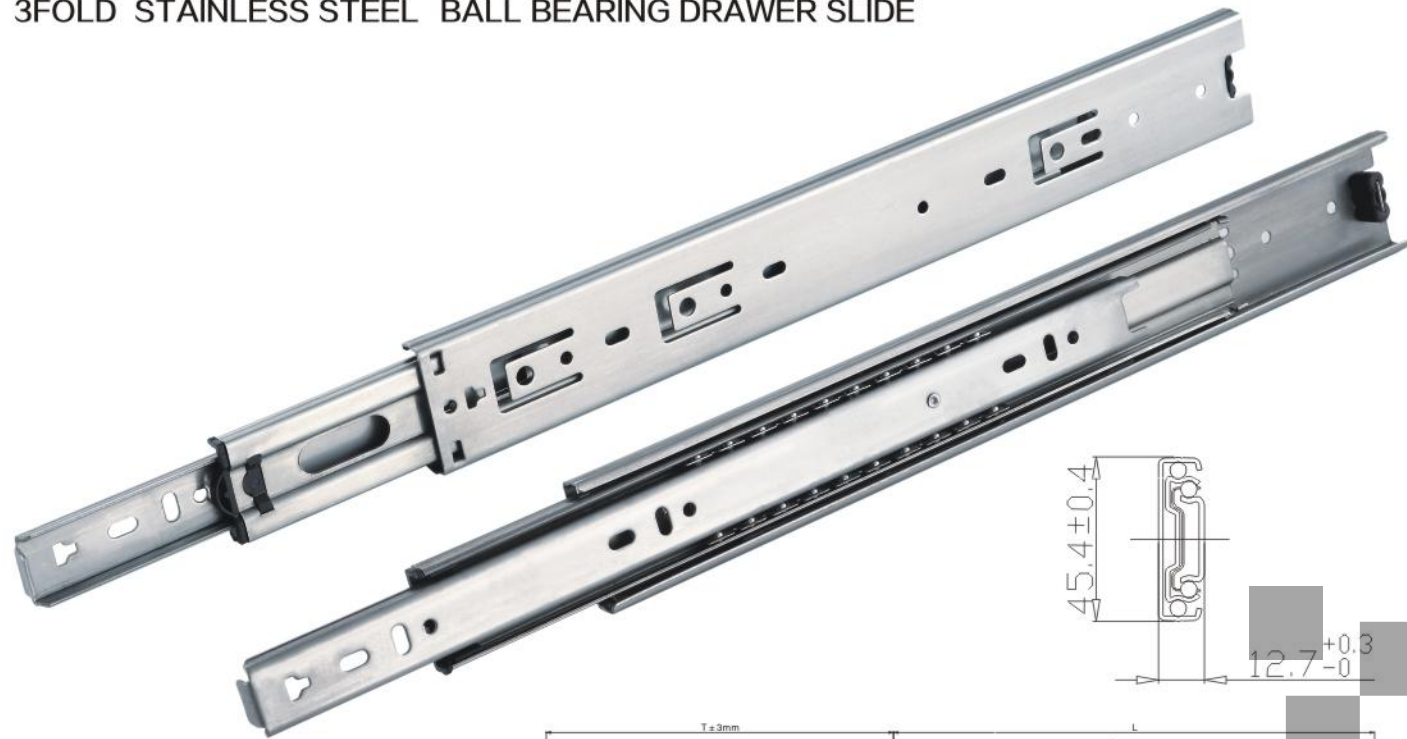
- 应用: 办公用具、机柜、橱柜或家用抽屉
- 特点: "32mm"系列孔位带可分离松脱门, 冷轧钢板和不锈钢两种材质
- 额定负荷: 45kg/450mm(18")
- 规格: 8"-40"
- 表面处理: 镀蓝锌, 黑色

- Application: office furniture, cabinet, kitchen and home furniture drawer
- Features: "32mm"hole serials;with separable loose bolt,Cold rolled steel and stainless steel two material
- Rated load: 45kg/450mm(18")
- Specifications: 8"-40"
- Surface treatment: galvanizing blue zinc,black



# 4501T 不锈钢三节钢珠滑轨

3FOLD STAINLESS STEEL BALL BEARING DRAWER SLIDE



SIZE	L	A	B	C	D	E	T	单位:MM
10"	250	64	192	160	/	/	265	
12"	300	96	224	224	/	/	315	
14"	350	96	256	224	/	/	365	
16"	400	128	320	224	288	/	415	
18"	450	160	352	224	352	/	465	
20"	500	192	416	224	352	416	515	
22"	550	192	448	224	352	416	565	
24"	600	224	512	224	352	480	615	

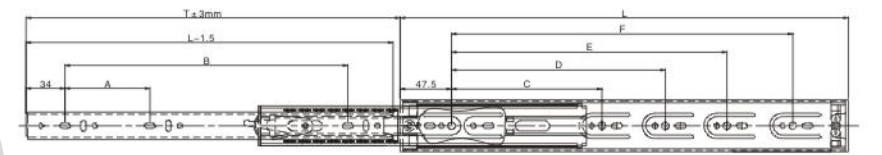
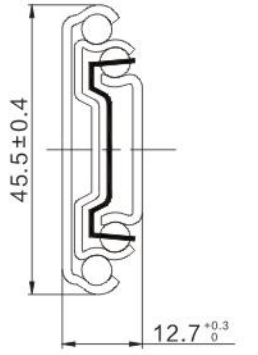
- 应用: 办公用具、机柜、橱柜或家用抽屉
- 特点: "32mm"系列孔位带可分离松脱门, 冷轧钢板和不锈钢两种材质
- 额定负荷: 45kg/450mm(18")
- 规格: 8"-40"
- 表面处理: 镀蓝锌, 黑色

- Application: office furniture、cabinet、kitchen and home furniture drawer
- Features: "32mm"hole serials;with separable loose bolt,Cold rolled steel and stainless steel two material
- Rated load: 45kg/450mm(18")
- Specifications: 8"-40"
- Surface treatment: galvanizing blue zinc,black



# 4501 欧式三节钢珠滑轨

3FOLD EUROPEAN STYLE BALL BEARING DRAWER SLIDE



SIZE	L	A	B	C	D	E	F	T	单位:MM
10"	250	64	192	128	/	/	/	255	
12"	300	96	224	192	/	/	/	305	
14"	350	96	256	96	224	/	/	355	
16"	400	128	320	96	224	288	/	405	
18"	450	160	352	96	224	320	/	455	
20"	500	192	416	96	224	384	/	505	
22"	550	192	448	96	224	352	448	555	
24"	600	224	512	96	224	352	448	605	

- 应用: 办公用具、机柜、橱柜或家用抽屉
- 特点: "32mm"系列孔位;带可分离松脱门
- 行程: 超行程(产品长+15mm)
- 额定负荷: 45kg/450mm(18")
- 规格: 6"-40"
- 表面处理: 镀蓝锌, 黑色

- Application: office furniture、cabinet、kitchen and home furniture drawer
- Features: "32mm"hole serials;Inseparable
- Traveling schedule : Overtravel (product length +15mm)
- Rated load: 45kg/450mm(18")
- Specifications: 6"-40"
- Surface treatment: galvanizing blue zinc,black

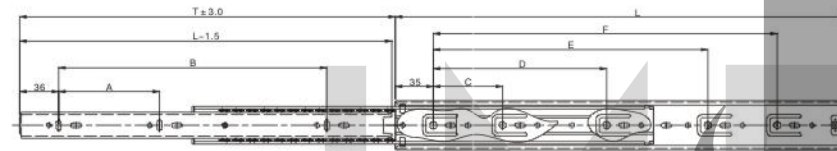


HW-1 07



# 1045A 三节钢珠滑轨(1.0\*1.0\*1.2mm)

3FOLD BALL BEARING DRAWER SLIDE



SIZE	L	A	B	C	D	E	F	T
10"	250		169			96	160	250
12"	300	96	224			128	192	300
14"	350	128	256	64		192	256	350
16"	400	128	32	64		224	288	400
18"	450	160	352	64	160	288	352	450
20"	500	192	416	64	192	320	384	500
22"	550	224	448	64	192	384	448	550
24"	600	224	512	64	224	416	480	600

单位:MM

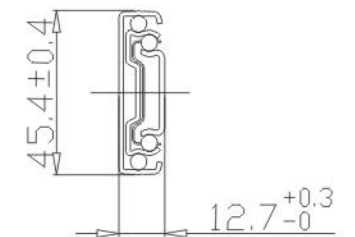
- 应用: 办公用具、机柜、橱柜或家用抽屉
- 特点: "32mm"系列孔位;带可分离松脱门
- 行程: 超行程(产品长+15mm)
- 额定负荷: 40kg/450mm ( 18" )
- 规格: 10"-40"
- 表面处理: 镀蓝锌, 黑色

- Application: office furniture、cabinet、kitchen and home furniture drawer
- Features: "32mm"hole serials;inseparable
- Traveling schedule : Overtravel (product length +15mm)
- Rated load: 40kg/450mm ( 18" )
- Specifications: 10"-40"
- Surface treatment: galvanizing blue zinc,black



# 4502T 三节带挂插快装滑轨

3FOLD FULL EXLENSION BALL BEARING DRAWER SLIDE WITH BAYONET MONT



- 应用: 橱柜、钢制办公家具、工具车、工具箱及各式抽屉
- 特点: 简易安装、无需螺丝, 独特防脱钩设计
- 额定负荷: 45kg/450mm(18" )
- 规格: 12"-30"
- 表面处理: 镀蓝锌或黑色

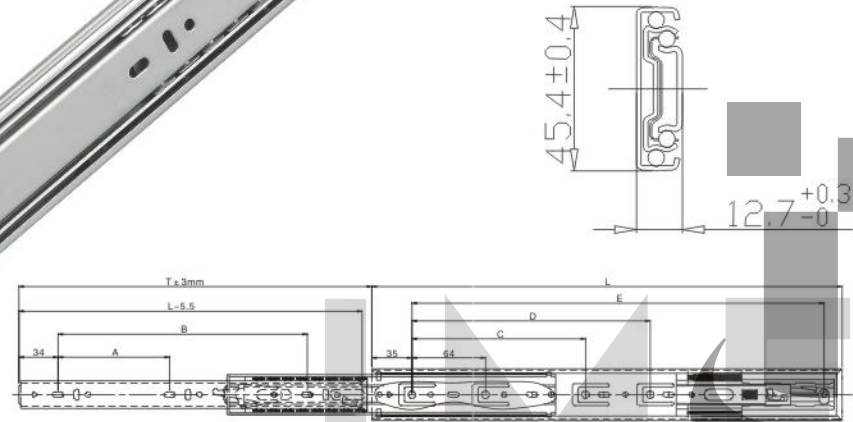
- Application: Ambry, steel office furniture, vehicle, tools and various drawer
- Features: Simple and easy installation, no screw, unique the decoupling design
- Rated load: 45kg/450mm(18" )
- Specifications: 12"-30"
- Surface treatment: Abram zinc plating or black



HW-1 08

# 4501TP 三节缓冲钢珠滑轨

3FOLD FULL EXTENSION SOFT CLOSING  
BALL BEARING DRAWER SLIDE



SIZE	L	A	B	C	D	E	T
12"	300	96	224	/	/	289.5	300
14"	350	96	256	/	/	339.5	350
16"	400	128	320	224	/	389.5	400
18"	450	160	352	224	/	439.5	450
20"	500	192	416	224	352	489.5	500
22"	550	192	448	224	352	539.5	550

单位:MM

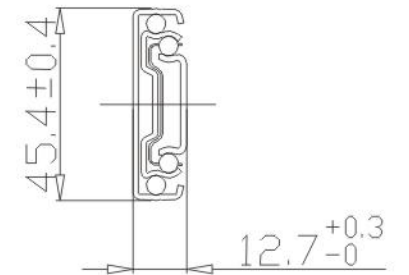
- 应用: 办公用具、机柜、橱柜或家用抽屉
- 特点: "32mm"系列孔位, 带可分离塑料配件, 带缓冲自闭功能
- 额定负荷: 45kg/450mm(18")
- 规格: 10"-30"
- 表面处理: 镀蓝锌, 黑色

- Application: cabinet, kitchen and home furniture drawer
- Features: "32mm"hole serials;with separable loose bolt
- Rated load: 45kg/450mm(18")
- Specifications: 10"-30"
- Surface treatment: galvanizing blue zinc,black



# 4501TD 三节反弹钢珠滑轨

3 FOLD FULL EXTENSION PUSH TO OPEN BALL BEARING DRAWER SLIDE



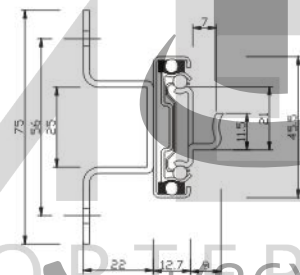
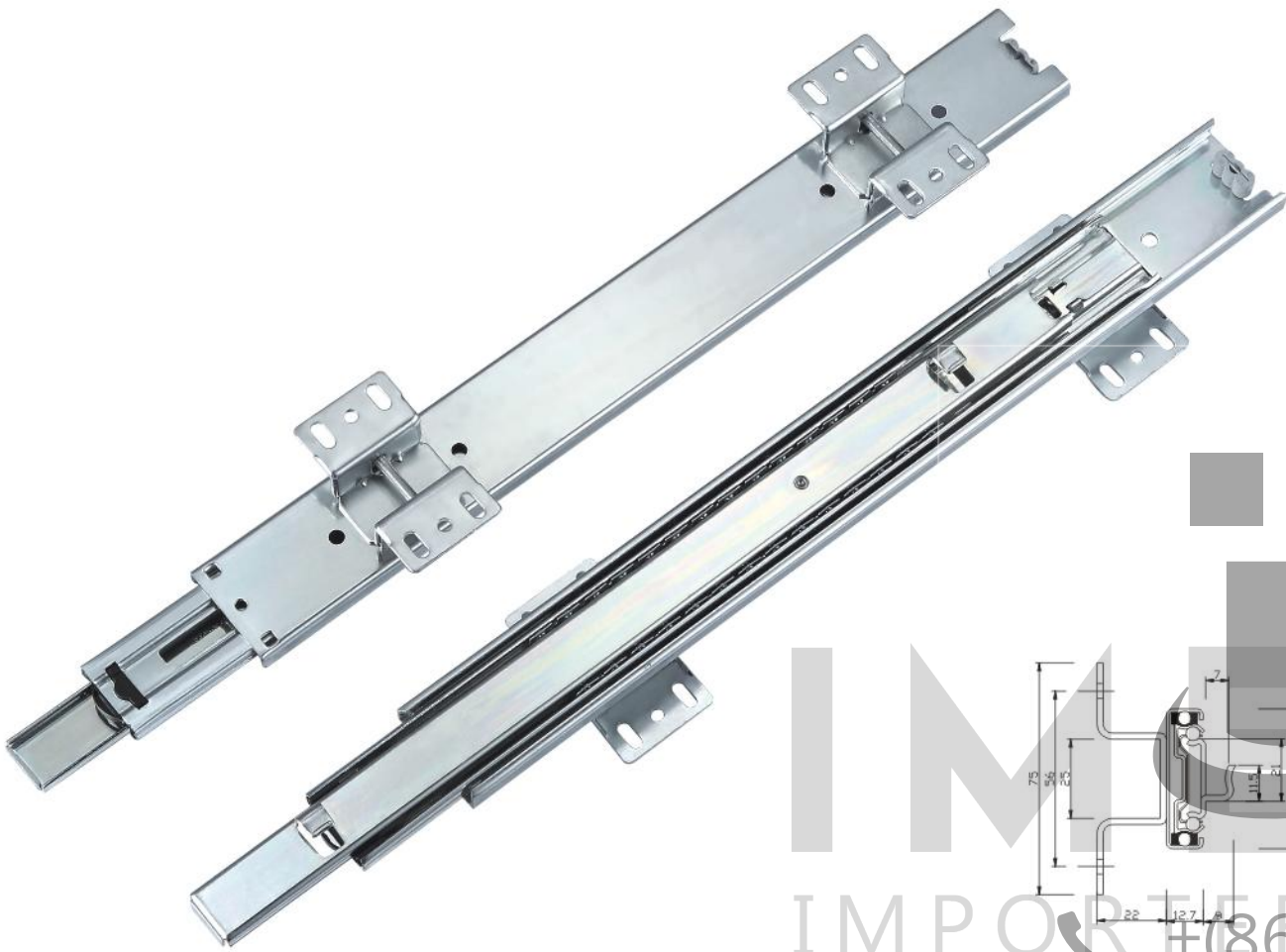
- 应用: 橱柜、衣柜及各式抽屉
- 特点: 简易安装、带反弹功能, 无需拉手
- 额定负荷: 45kg/450mm(18")
- 规格: 12"-24"
- 表面处理: 镀兰锌或黑色

- Application: Ambry, chest, and all kinds of drawer
- Features: Simple and easy installation, take rebound function without shake handshandle
- Rated load: 45kg/450mm(18")
- Specifications: 12"-24"
- Surface treatment: Abram zinc plating or black



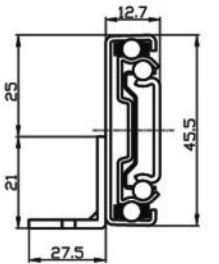
# 4501TU 橱柜拉篮三节钢珠滑轨

3 FOLD BALL BEARING DRAWER SLIDE FOR CABINET DRAWER BASKET



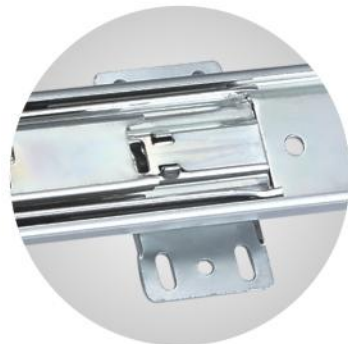
# 4501TL1 拉篮三节钢珠滑轨

3 FOLD BALL BEARING DRAWER SLIDE FOR CABINET DRAWER BASKET



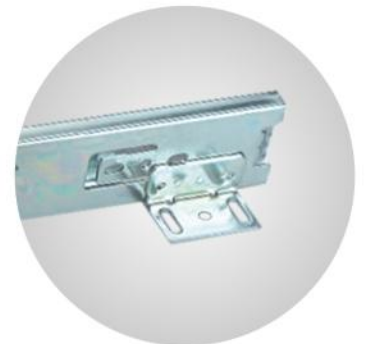
- 应用: 家用橱柜、拉篮、消毒柜等
- 额定负荷: 45kg/450mm(18")
- 规格: 14"-22"
- 表面处理: 镀封闭兰锌和黑色

- Application: Domestic ambry, pull basket, disinfection cabinet, etc
- Rated load: 45kg/450mm(18")
- Specifications: 14"-22"
- Surface treatment: Closed blue zinc plating and black



- 应用: 家具及橱柜拉篮、消毒柜等
- 特点: 简易安装、带反弹功能, 无需拉手
- 额定负荷: 45kg/450mm(18")
- 规格: 14"-20"
- 表面处理: 镀封闭兰锌或黑色

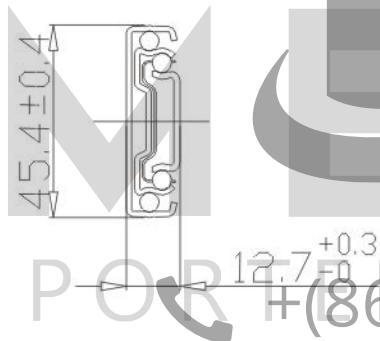
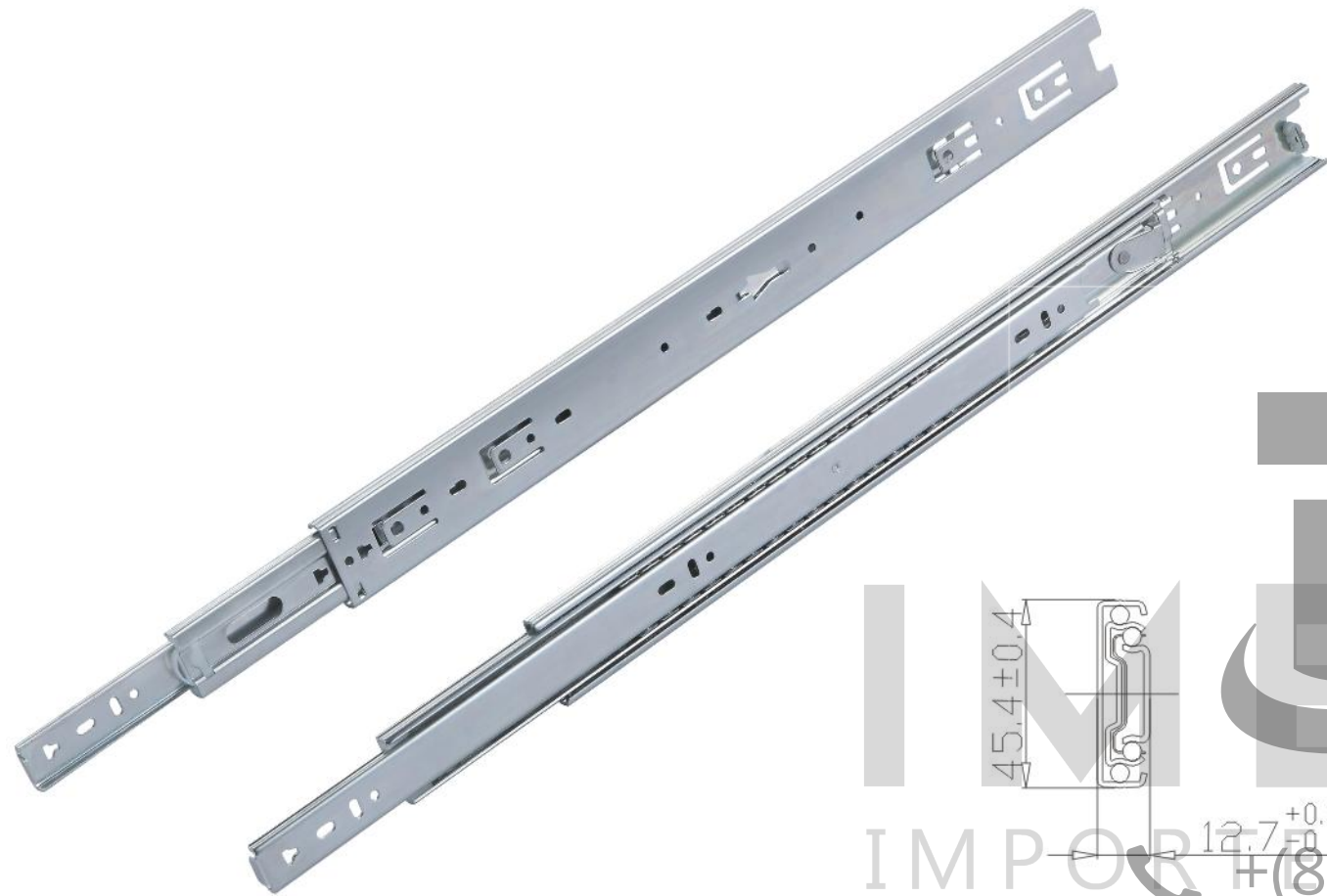
- Application: Furniture and cabinet pull basket, disinfection cabinet, etc
- Features: Simple and easy installation, take rebound function without shake handhandle
- Rated load: 45kg/450mm(18" )
- Specifications: 14"-20"
- Surface treatment: Zinc plating closed blue or black



HW-1 10

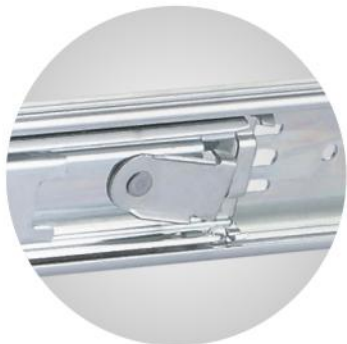
# 4501TS 三节定位滑轨

3 FOLD LOCKABLE BALL BEARING DRAWER SLIDE



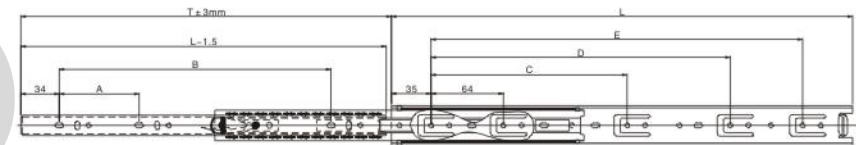
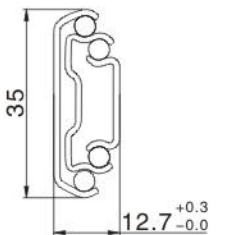
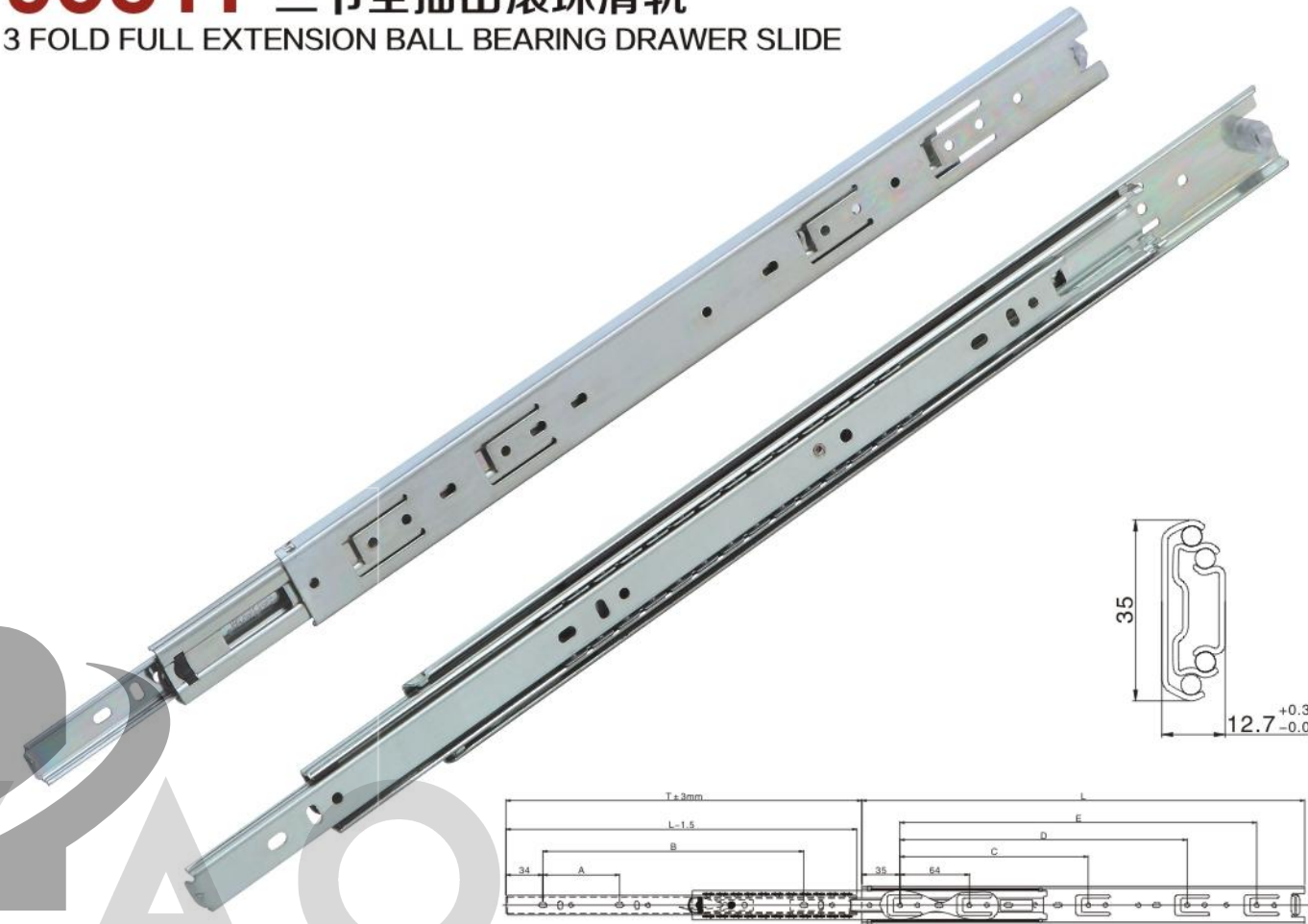
- 应用: 家具及工业用抽屉
- 特点: 带锁定装置, 防止滑轨随意滑动, 安装简易
- 额定负荷: 45kg/450mm(18")
- 规格: 12"-30"
- 表面处理: 镀兰锌或黑色

- Application: Furniture and industrial drawer
- Features: With a locking device to prevent the rails slide freely, easy to install
- Rated load: 45kg/450mm(18" )
- Specifications: 12"-30"
- Surface treatment: Abram zinc plating or black



# 3501T 三节全抽出滚珠滑轨

3 FOLD FULL EXTENSION BALL BEARING DRAWER SLIDE



SIZE	L	A	B	C	D	E	T	单位:MM
10"	250	64	192	160	/	/	265	
12"	300	96	224	224	/	/	315	
14"	350	96	256	224	/	/	365	
16"	400	128	320	224	288	/	415	
18"	450	160	352	224	352	/	465	
20"	500	192	416	224	352	416	515	

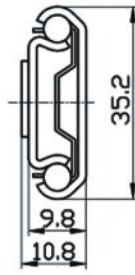
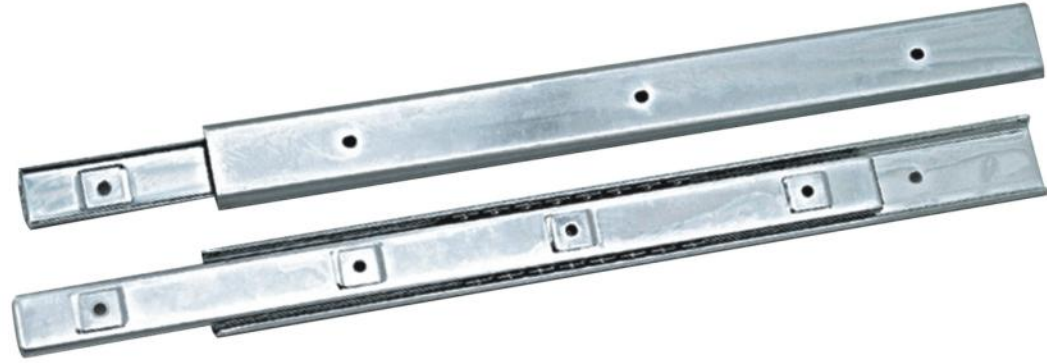
- 应用: 办公用具、机柜、橱柜或家用抽屉
- 特点: "32mm"系列孔位;可分离(间隙可微调)
- 额定负荷: 25kg/450mm(18")
- 规格: 10"-24"
- 表面处理: 镀蓝锌, 黑色

- Application: office furniture、cabinet 、kitchen and home furniture drawer
- Features: "32mm"hole serials;inseparable(auxiliary)
- Rated load: 25kg/450mm(18")
- Specifications: 10"-24"
- Surface treatment: galvanizing blue zinc,black



# 3502TC 二节双向拉滑轨

2 FOLD TWO-WAY EXTENSION BALL BEARING DRAWER SLIDE

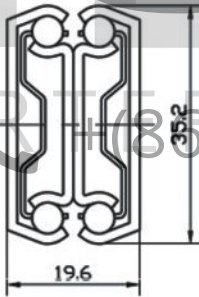


- 应用: 家具、机箱、机柜、工具柜、金融设备等
- 额定负荷: 35kg/450mm(18")
- 规格: 12"-24"
- 表面处理: 镀封闭兰锌或黑色

- Application: Furniture, chassis, cabinets, tool cabinet, financial equipment, etc
- Rated load: 35kg/450mm(18")
- Specifications: 12"-24"
- Surface treatment: Zinc plating closed blue or black

# 3502TT 双叠滑轨

CONNECTING BALL BEARING DRAWER SLIDE

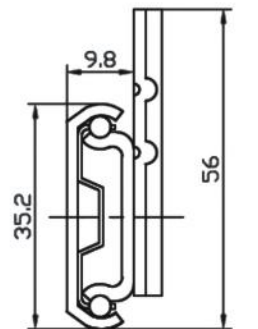
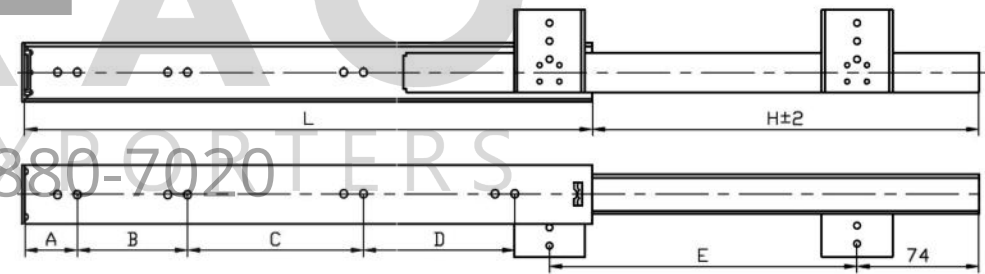


- 应用: 家具、机箱、机柜、工具柜、金融设备等
- 额定负荷: 65kg/450mm(18")
- 规格: 12"-24"
- 表面处理: 镀封闭兰锌或黑色

- Application: Furniture, chassis, cabinets, tool cabinet, financial equipment, etc
- Rated load: 65kg/450mm(18")
- Specifications: 12"-24"
- Surface treatment: Zinc plating closed blue or black

# 3506T 二节键盘滑轨

2 FOLD KEYBOARD BALL BEARING SLIDE



- 应用: 电脑键盘及任何无侧壁的下抽屉
- 额定负荷: 35kg
- 规格: 12"-24"
- 表面处理: 电镀封闭兰锌或电泳黑色

- Application: Computer keyboard and without any side of the drawer
- Rated load: 35kg
- Specifications: 12"-24"
- Surface treatment: Electroplating closed blue zinc or electrophoresis black

# 3509T 上掀式柜门滑轨

LIFTING TYPE DOOR SLIDE

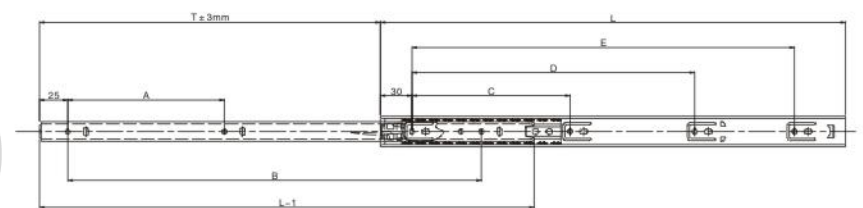
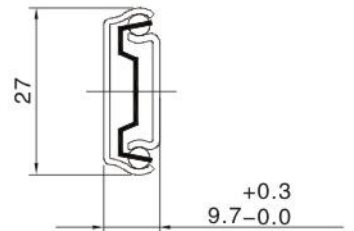
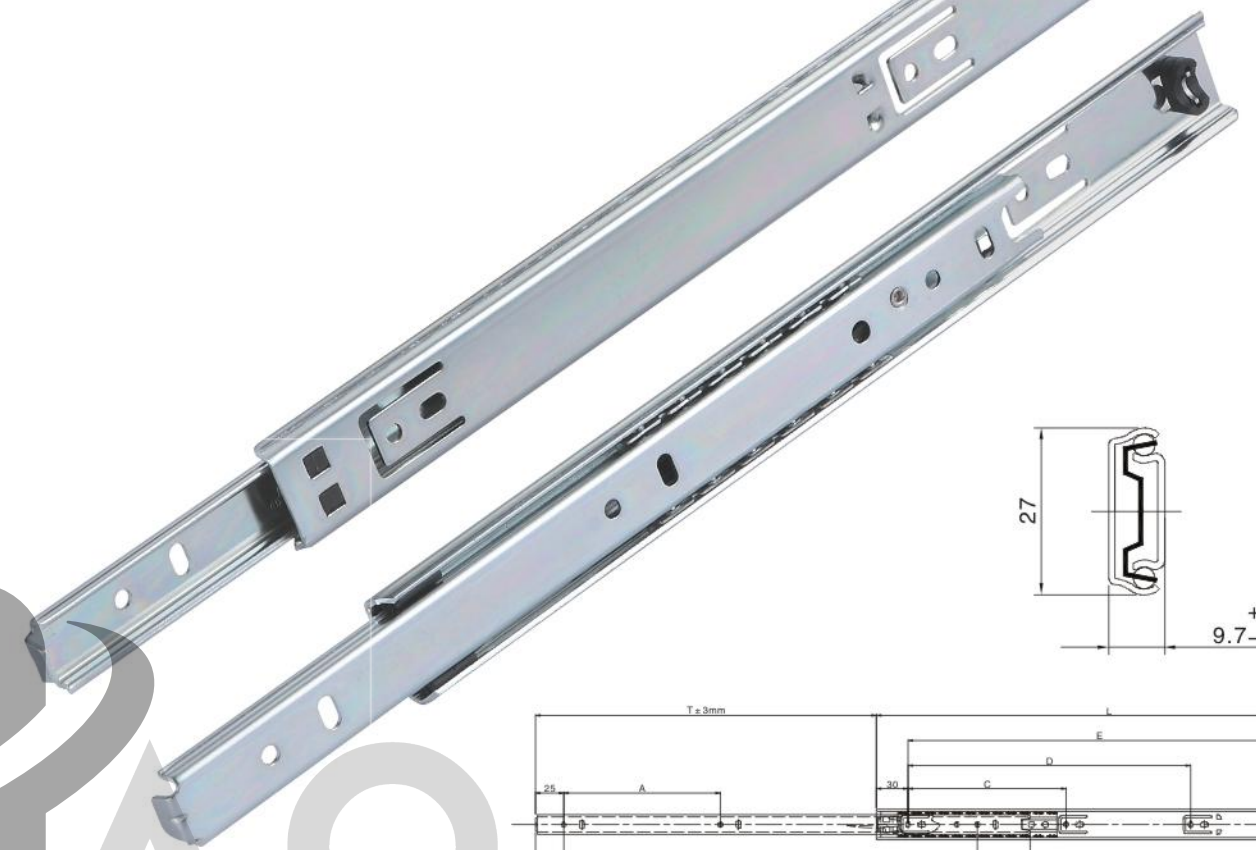


- 应用: 橱柜, 吊柜等柜门式家具
- 特点: 柜门可向上翻转滑动, 使用便捷, 合理利用空间
- 额定负荷: 35kg/450mm(18")
- 表面处理: 镀封闭兰锌或黑色

- Application: The cabinet, hanging cabinet cabinet type furniture
- Features: The door can be turned upward sliding, convenient use, reasonable use a space
- Rated load: 35kg/450mm(18")
- Surface treatment: Closed blue zinc plating and black

# 2701T 二节滚珠滑轨

2FOLD 3/4 EXTENSION BALL BEARING DRAWER SLIDE



SIZE	L	A	B	C	D	E	T	单位:MM
10"	250	96	192	160	/	/	166	
12"	300	128	256	192	/	/	192	
14"	350	128	288	128	256	/	233	
16"	400	160	320	160	320	/	262	
18"	450	192	384	192	352	/	332	
20"	500	192	416	128	256	416	370	

- 应用: 办公用具、机柜、橱柜或家用抽屉
- 特点: "32mm"系列孔位;可分离松脱门间隙加大(固定时可微调间隙)
- 额定负荷: 15kg/450mm(18")
- 规格: 12"-24"
- 表面处理: 镀蓝锌, 彩锌, 黑色

- Application: office furniture, cabinet, kitchen and home furniture drawers
- Features: "32mm" hole serials; separable loose bolt expanded intervals, (auxiliary interval when fixed)
- Rated load: 15kg/450mm(18")
- Specifications: 12"-24"
- Surface treatment: galvanizing blue zinc, Color zinc, black



# 4705T 侧面升降餐桌滑轨

LIFTABLE DINING TABLE SLIDE

# 二节餐台滑轨 (宽35mm、39mm、47mm)

HEAVY LOAD DINING TABLE SLIDE(wide 35mm、39mm、47mm)



- 应用: 餐台, 餐桌等升降台
- 尺寸: 350mm-500mm
- 额定负荷: 80kg
- 表面处理: 镀兰锌、黑色

- Application: Dining table, dining table, the lifting platform
- Size: 350mm-500mm
- Rated load: 80kg
- Surface treatment: galvanizing blue zinc , black

IMEXRAO  
SEYBROTTERS  
+86 186-8880-7020

- 应用: 常规或者定制餐台、餐桌
- 特点: 简易安装, 方便调节
- 额定负荷: 120kg
- 表面处理: 镀蓝锌, 黑色

- Application: General work type custom table dining tables
- Features: Simple and easy installation, convenient adjustment
- Rated load: 120kg
- Surface treatment : galvanizing blue zinc,black



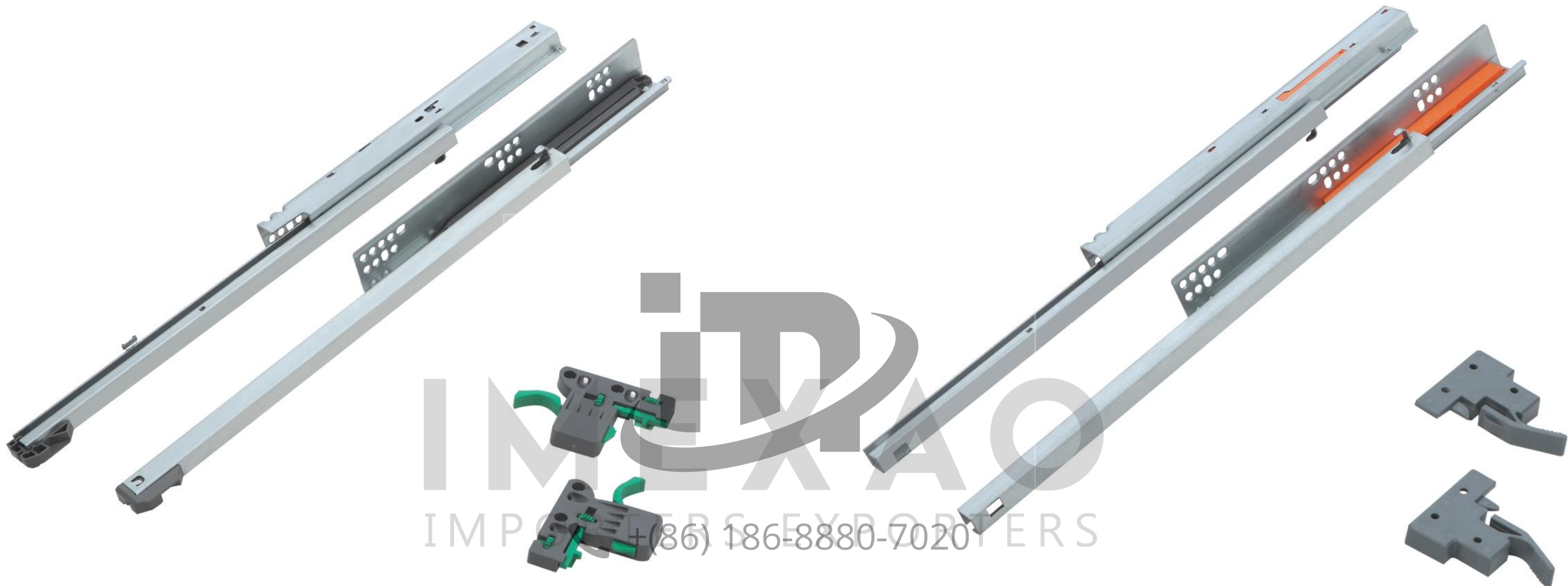
## HW-1 2-03

# 230TC 二节内藏式带缓冲滑轨(可调)

2FOLD UNDER MOUNT SOFT CLOSING DRAWER SLIDE

# 230TD 二节内藏反弹滑轨

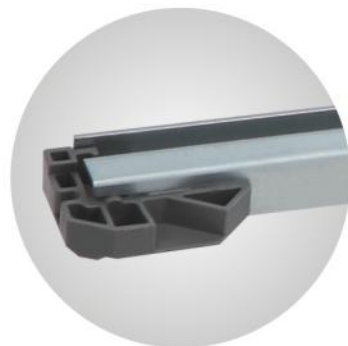
2FOLD UNDER MOUNT PUSH TO OPEN DRAWER SLIDE



IMPERIAO  
IMPORTERS & EXPORTERS  
+ (86) 186-8880-7020

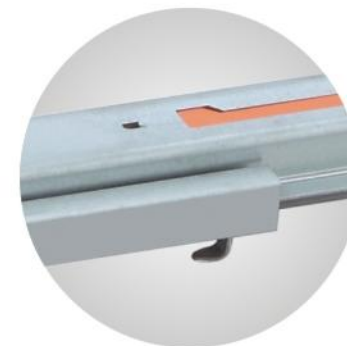
- 应用: 橱柜、机柜、办公文件柜及家用抽屉
- 特点: 简易安装, 带缓冲自闭可调节高度
- 额定负荷: 30kg/450mm(18")
- 表面处理: 镀蓝锌, 黑色

- Application: kitchen cabinet, cabinet, office file cabinet and home furniture drawer
- Features: simple installed, with bumper and soft-closed function, adjustable top
- Rated load: 30kg/450mm(18")
- Surface treatment: galvanizing blue zinc, black



- 应用: 橱柜、机柜、办公文件柜及家用抽屉
- 特点: 简易安装, 带反弹功能, 无需拉手
- 额定负荷: 30kg/450mm(18")
- 表面处理: 镀蓝锌, 黑色

- Application: kitchen cabinet, cabinet, office file cabinet and home furniture drawer
- Features: simple installed, with push open function, adjustable top
- Rated load: 30kg/450mm(18")
- Surface treatment: galvanizing blue zinc, black





# 230TO 二节托底式面包柜专用滑轨

BOTTOM-MOUNT SINGLE EXTENSION BALL BEARING SLIDE FOR FOOD STORAGE

# 230TE 三节内藏式带反弹滑轨(可调)

3FOLD UNDER MOUNT PUSH TO OPEN DRAWER SLIDE



IMPERIAO  
 IMPORTERS EXPORTERS  
 + (86) 186-8880-7020

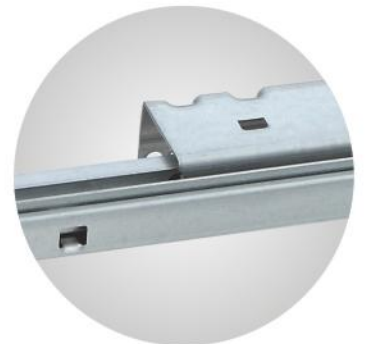
- 应用: 面包机、面包柜、商品展示柜等
- 特点: 隐藏式托底结构, 尽量节省空间, 美观, 性能稳定
- 额定负荷: 30kg/450mm ( 18" )
- 规格: 12"-24"
- 表面处理: 电解料、镀锌或电泳黑

- Application: Bread, bread, cabinets, display cabinets and other goods
- Features: Hidden underpinning structure, try to save space, beautiful, stable performance
- Rated load: 30kg/450mm ( 18" )
- Specifications: 12"-24"
- Surface treatment: Secc,galvanizing blue zinc or electrophoresis black



- 应用: 橱柜、机柜、办公文件柜及家用抽屉
- 特点: 简易安装, 带反弹功能, 无需拉手
- 额定负荷: 30kg/450mm(18")
- 表面处理: 镀锌, 黑色

- Application: kitchen cabinet、cabinet 、office file cabinet and home furniture drawer
- Features: simple installed
- Rated load: 30kg/450mm(18")
- Surface treatment: galvanizing blue zinc,black



HW-1 2-05

# 230TG 三节内藏式缓冲滑轨(可调)

3FOLD FULL EXTENSION UNDER MOUNT SOFT CLOSING DRAWER SLIDE

# 230TH 新款静音骑马抽滑轨(铁灰)

NEW STYLE MUTE HORSE PUMPING RAIL (IRON GRAY)



INTEGRAL  
IMPORTERS & EXPORTERS  
+(86) 186-8880-7020



- 应用: 橱柜、机柜、办公文件柜及家用抽屉
- 特点: 简易安装, 带缓冲, 有自闭功能, 可调节高度
- 额定负荷: 30kg/450mm(18")
- 表面处理: 镀蓝锌, 黑色

- Application: kitchen cabinet, cabinet, office file cabinet and home furniture drawer
- Features: simple installed, with push open function, adjustable top
- Rated load: 30kg/450mm(18")
- Surface treatment: galvanizing blue zinc, black

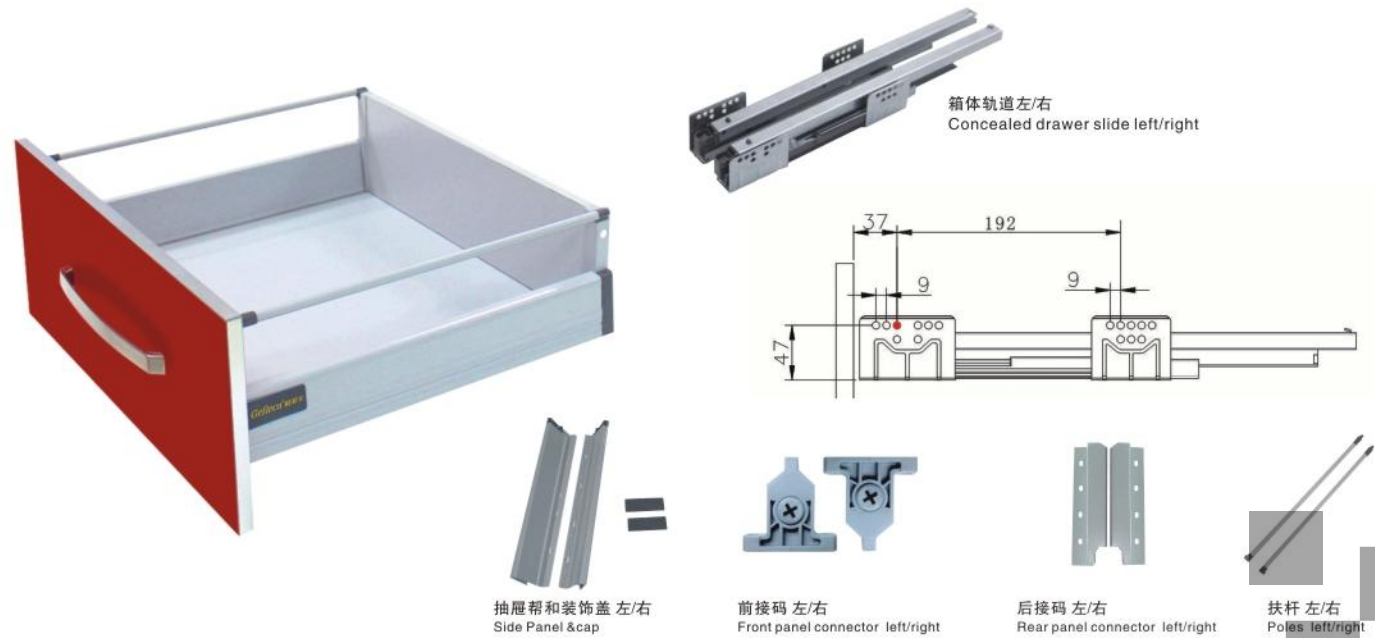


- 应用: 橱柜、办公文件柜及家用抽屉
- 特点: 简易安装, 带缓冲自闭可调节高度
- 额定负荷: 30kg/450mm(18")
- 表面处理: 镀蓝锌, 黑色

- Application: kitchen cabinet, office file cabinet and home furniture drawer
- Features: simple installed, with bumper and soft-closed function, adjustable top
- Rated load: 30kg/450mm(18")
- Surface treatment: galvanizing blue zinc, black

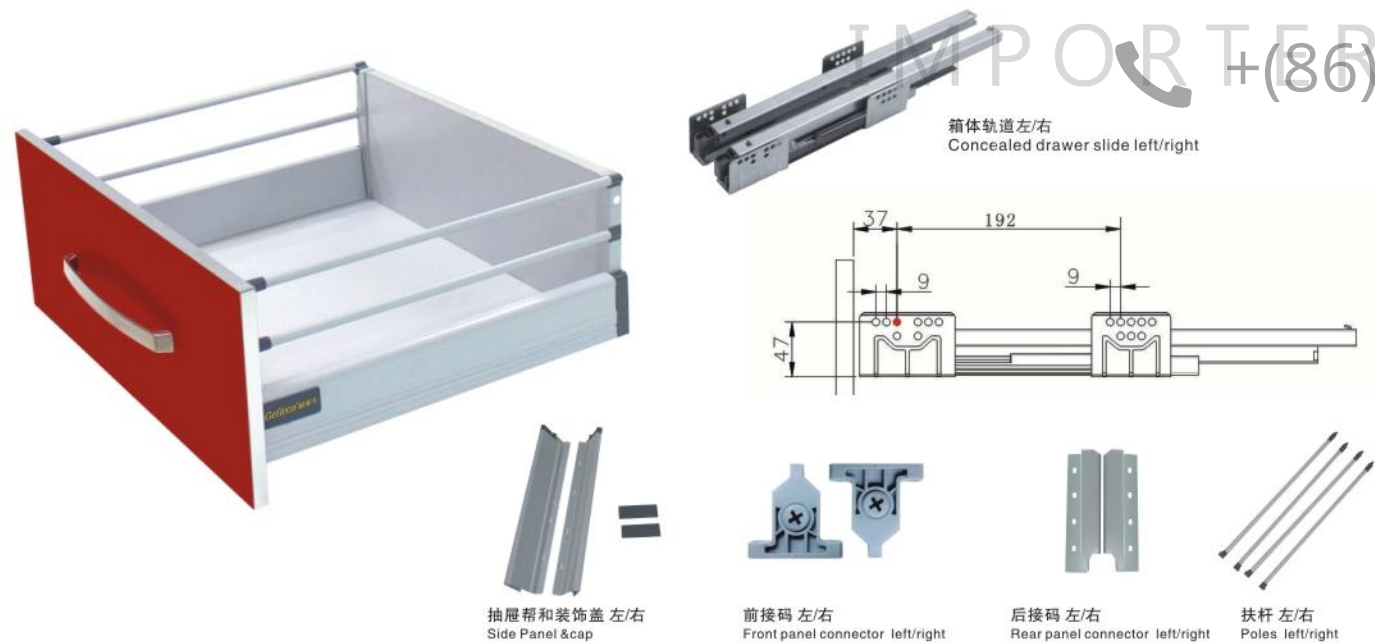
# 170mm 加单杆静音阻尼滑轨(普通)

FULL EXTENSION NOISELESS SOFT CLOSING DRAWER SLIDE SYSTEM WITH TWO POLES



# 210mm 加双杆静音阻尼滑轨(普通)

FULL EXTENSION NOISELESS SOFT CLOSING DRAWER SLIDE SYSTEM WITH FOUR POLES



HW-1 2-07

# ULTECH METAL PRODUCTS

铰链系列/Hinges



IMPORTEERS  
+ (86) 186-8880-7020

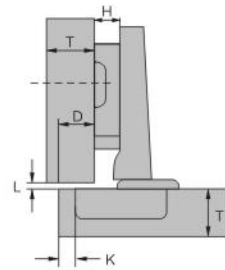
# 35杯 固装阻尼铰链

开启角度: 105度  
 铰杯厚度: 11.5毫米  
 铰杯直径: 35毫米  
 面板 (K) 尺寸: 3-7毫米  
 门可选用板厚度: 14-26毫米

Opening degree: 105°  
 Thickness of hinge cup: 11.5mm  
 Diameter of hinge cup: 35mm  
 Dimension of door (K): 3-7mm  
 Range for door thickness: 14-26mm



Full overlay C=0  
直臂0



$H=14+K-D$

D: 盖位计算值表 overlay calculations

D \ K	3	4	5	6	7
H					
0	17	18	19	20	21
2	15	16	17	18	19

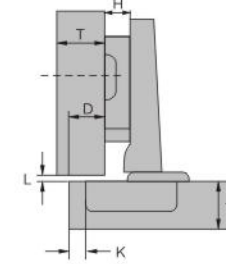
# 35杯 快装阻尼铰链

开启角度: 105度  
 铰杯厚度: 11.5毫米  
 铰杯直径: 35毫米  
 面板 (K) 尺寸: 3-7毫米  
 门可选用板厚度: 14-26毫米

Opening degree: 105°  
 Thickness of hinge cup: 11.5mm  
 Diameter of hinge cup: 35mm  
 Dimension of door (K): 3-7mm  
 Range for door thickness: 14-26mm



Full overlay C=0  
直臂0



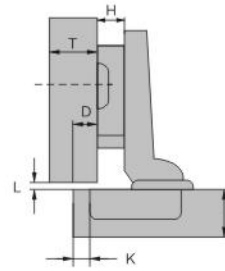
$H=14+K-D$

D: 盖位计算值表 overlay calculations

D \ K	3	4	5	6	7
H					
0	17	18	19	20	21
2	15	16	17	18	19



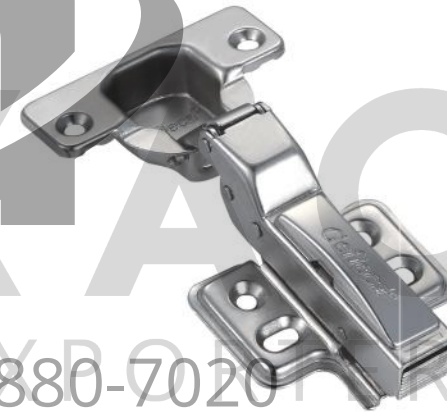
Half overlay C=8  
中曲8



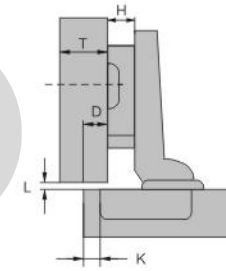
$H=5+K-D$

D: 盖位计算值表 overlay calculations

D \ K	3	4	5	6	7
H					
0	8	9	10	11	12
2	6	7	8	9	10



Half overlay C=8  
中曲8



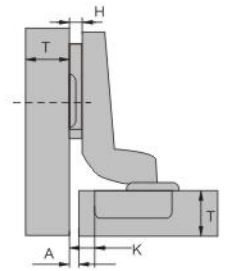
$H=5+K-D$

D: 盖位计算值表 overlay calculations

D \ K	3	4	5	6	7
H					
0	8	9	10	11	12
2	6	7	8	9	10



Inserted C=17  
大曲17



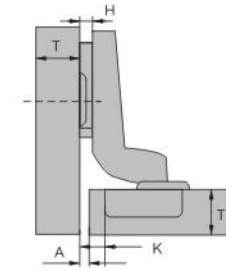
$H=-2+K+A$

A: 间隙位计算值表 Reveal calculations

D \ K	3	4	5	6	7
H					
0	-1	-2	-3	-4	-5
2	1	0	-1	2	-3



Inserted C=17  
大曲17



$H=-2+K+A$

A: 间隙位计算值表 Reveal calculations

D \ K	3	4	5	6	7
H					
0	-1	-2	-3	-4	-5
2	1	0	-1	2	-3

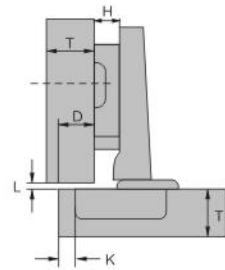
# 35杯 阻尼青古铜/红古铜铰链

开启角度: 105度  
 铰杯厚度: 11.5毫米  
 铰杯直径: 35毫米  
 面板 (K) 尺寸: 3-7毫米  
 门可选用板厚度: 14-26毫米

Opening degree: 105°  
 Thickness of hinge cup: 11.5mm  
 Diameter of hinge cup: 35mm  
 Dimension of door (K) : 3-7mm  
 Range for door thickness: 14-26mm



Full overlay C=0  
直臂0



$H=14+K-D$

D: 盖位计算值表 overlay calculations

D \ K	3	4	5	6	7
0	17	18	19	20	21
2	15	16	17	18	19

# 35杯 卡式三维调节阻尼铰链

开启角度: 105度  
 铰杯厚度: 11.5毫米  
 铰杯直径: 35毫米  
 面板 (K) 尺寸: 3-7毫米  
 门可选用板厚度: 14-26毫米

Opening degree: 105°  
 Thickness of hinge cup: 11.5mm  
 Diameter of hinge cup: 35mm  
 Dimension of door (K) : 3-7mm  
 Range for door thickness: 14-26mm



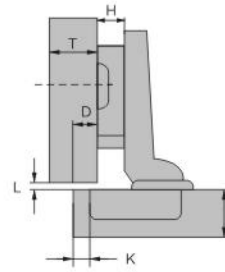
直臂

小弯

大弯



Half overlay C=8  
中曲8



$H=5+K-D$

D: 盖位计算值表 overlay calculations

D \ K	3	4	5	6	7
0	8	9	10	11	12
2	6	7	8	9	10

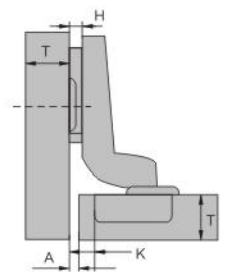
# 40杯 反弹铰链

开启角度: 95度  
 铰杯厚度: 14毫米  
 铰杯直径: 40毫米  
 面板 (K) 尺寸: 3-15毫米  
 门可选用板厚度: 16-40毫米

Opening degree: 95°  
 Thickness of hinge cup: 14mm  
 Diameter of hinge cup: 40mm  
 Dimension of door (K) : 3-15mm  
 Range for door thickness: 16-40mm



Inserted C=17  
大曲17



$H=-2+K+A$

A: 间隙位计算值表 Reveal calculations

D \ K	3	4	5	6	7
0	-1	-2	-3	-4	-5
2	1	0	-1	2	-3

HW-1 2-09

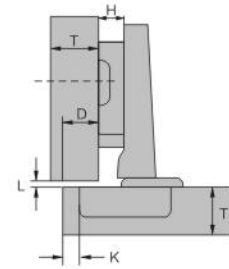
# 40杯 固装阻尼铰链

开启角度: 95度  
 铰杯厚度: 14毫米  
 铰杯直径: 40毫米  
 面板 (K) 尺寸: 3-15毫米  
 门可选用板厚度: 16-40毫米

Opening degree: 95°  
 Thickness of hinge cup: 14mm  
 Diameter of hinge cup: 40mm  
 Dimension of door (K): 3-15mm  
 Range for door thickness: 16-40mm



Full overlay C=0  
直臂0



$H=20+K-D$

D: 盖位计算值表 overlay calculations

D \ H \ K	3	4	5	...	15
-2	25	26	27	...	37
0	23	24	25	...	35
2	21	22	23	...	33
4	19	20	21	...	31

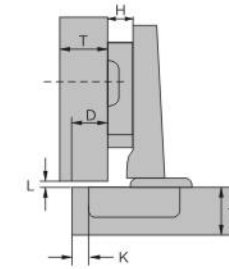
# 40杯 快装阻尼铰链

开启角度: 95度  
 铰杯厚度: 14毫米  
 铰杯直径: 40毫米  
 面板 (K) 尺寸: 3-15毫米  
 门可选用板厚度: 16-40毫米

Opening degree: 95°  
 Thickness of hinge cup: 14mm  
 Diameter of hinge cup: 40mm  
 Dimension of door (K): 3-15mm  
 Range for door thickness: 16-40mm



Full overlay C=0  
直臂0



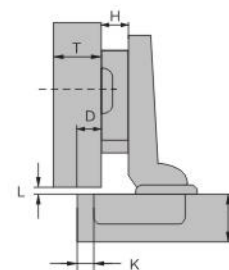
$H=20+K-D$

D: 盖位计算值表 overlay calculations

D \ H \ K	3	4	5	...	15
-2	25	26	27	...	37
0	23	24	25	...	35
2	21	22	23	...	33
4	19	20	21	...	31



Half overlay C=8  
中曲8



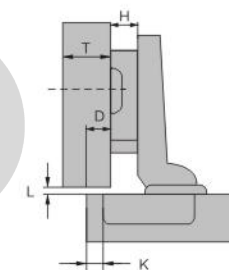
$H=11+K-D$

D: 盖位计算值表 overlay calculations

D \ H \ K	3	4	5	...	15
-2	16	17	18	...	28
0	14	15	16	...	26
2	12	13	14	...	24
4	10	11	12	...	22



Half overlay C=8  
中曲8



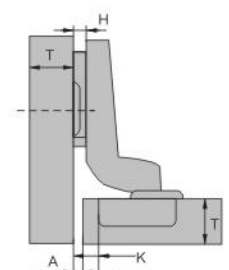
$H=11+K-D$

D: 盖位计算值表 overlay calculations

D \ H \ K	3	4	5	...	15
-2	16	17	18	...	28
0	14	15	16	...	26
2	12	13	14	...	24
4	10	11	12	...	22



Inserted C=17  
大曲17



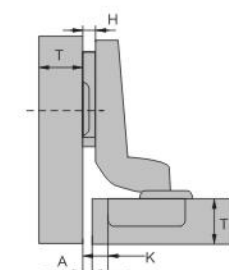
$H=-2.5+K+A$

A: 间隙位计算值表 Reveal calculations

D \ H \ K	3	4	5	...	15
-2	-2.5	-3.5	-4.5	...	-14.5
0	-1.5	-1.5	-2.5	...	-12.5
2	1.5	0.5	-0.5	...	-10.5
4	3.5	2.5	1.5	...	-8.5



Inserted C=17  
大曲17



$H=-2.5+K+A$

A: 间隙位计算值表 Reveal calculations

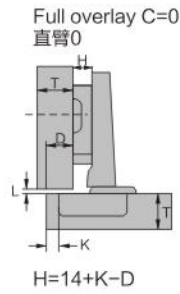
D \ H \ K	3	4	5	...	15
-2	-2.5	-3.5	-4.5	...	-14.5
0	-1.5	-1.5	-2.5	...	-12.5
2	1.5	0.5	-0.5	...	-10.5
4	3.5	2.5	1.5	...	-8.5

HW-1 2-10

# 304、201不锈钢阻尼铰链

开启角度: 105度  
 铰杯厚度: 11.5毫米  
 铰杯直径: 35毫米  
 面板 (K) 尺寸: 3-7毫米  
 门可选用板厚度: 14-26毫米

Opening degree: 105°  
 Thickness of hinge cup: 11.5mm  
 Diameter of hinge cup: 35mm  
 Dimension of door(K): 3-7mm  
 Range for door thickness: 14-26mm



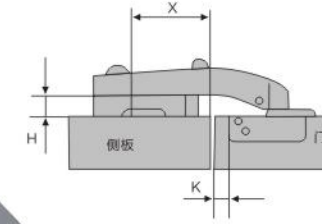
D: 盖位计算值表 overlay calculations

D \ H \ K	3	4	5	6	7
0	17	18	19	20	21
2	15	16	17	18	19

# 90度阻尼快装铰链

铰杯厚度: 11.5毫米  
 铰杯直径: 35毫米  
 面板 (K) 尺寸: 3-7毫米  
 门可选用板厚度: 14-24毫米

Thickness of hinge cup: 11.5mm  
 Diameter of hinge cup: 35mm  
 Dimension of door(K): 3-7mm  
 Range for door thickness: 14-24mm



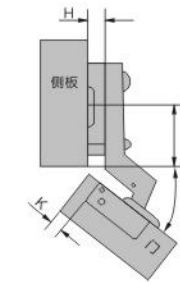
X安装钻孔尺寸计算值表  
 Mounting plate drilling size calculations

H	K			
	4.0	5.0	6.0	7.0
-2	37 / 6.0	36 / 6.0	35 / 6.3	34 / 7.2
0	37 / 4.0	36 / 4.0	35 / 4.3	34 / 5.2
2	37 / 2.0	36 / 2.0	35 / 2.3	34 / 3.2
4	37 / 0	36 / 0	35 / 1.4	34 / 0.3
X				D

# 45度阻尼快装铰链

铰杯厚度: 11.5毫米  
 铰杯直径: 35毫米  
 面板 (K) 尺寸: 3-7毫米  
 门可选用板厚度: 14-24毫米

Thickness of hinge cup: 11.5mm  
 Diameter of hinge cup: 35mm  
 Dimension of door(K): 3-7mm  
 Range for door thickness: 14-24mm



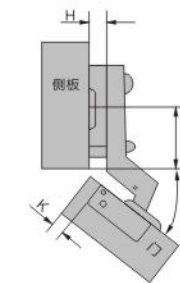
X安装钻孔尺寸计算值表  
 Mounting plate drilling size calculations

H	K			
	4.0	5.0	6.0	7.0
-2	37 / 5.3	36 / 6.0	35 / 6.7	34 / 7.4
0	37 / 3.3	36 / 4.0	35 / 4.7	34 / 5.4
2	37 / 1.3	36 / 2.0	35 / 2.7	34 / 3.4
4	37 / -0.7	36 / 0	35 / 0.7	34 / 1.4
X				D

# 30度阻尼快装铰链

铰杯厚度: 11.5毫米  
 铰杯直径: 35毫米  
 面板 (K) 尺寸: 3-7毫米  
 门可选用板厚度: 14-24毫米

Thickness of hinge cup: 11.5mm  
 Diameter of hinge cup: 35mm  
 Dimension of door (K) : 3-7mm  
 Range for door thickness: 14-24mm



X安装钻孔尺寸计算值表  
 Mounting plate drilling size calculations

H	K			
	4.0	5.0	6.0	7.0
-2	37 / 1.1	36 / 2.0	35 / 2.9	34 / 3.8
0	37 / -0.9	36 / 0	35 / 0.9	34 / 1.8
2	37 / -2.9	36 / -2.0	35 / -1.1	34 / -0.2
4	37 / -4.9	36 / -4.0	35 / -3.1	34 / -2.2
X				D

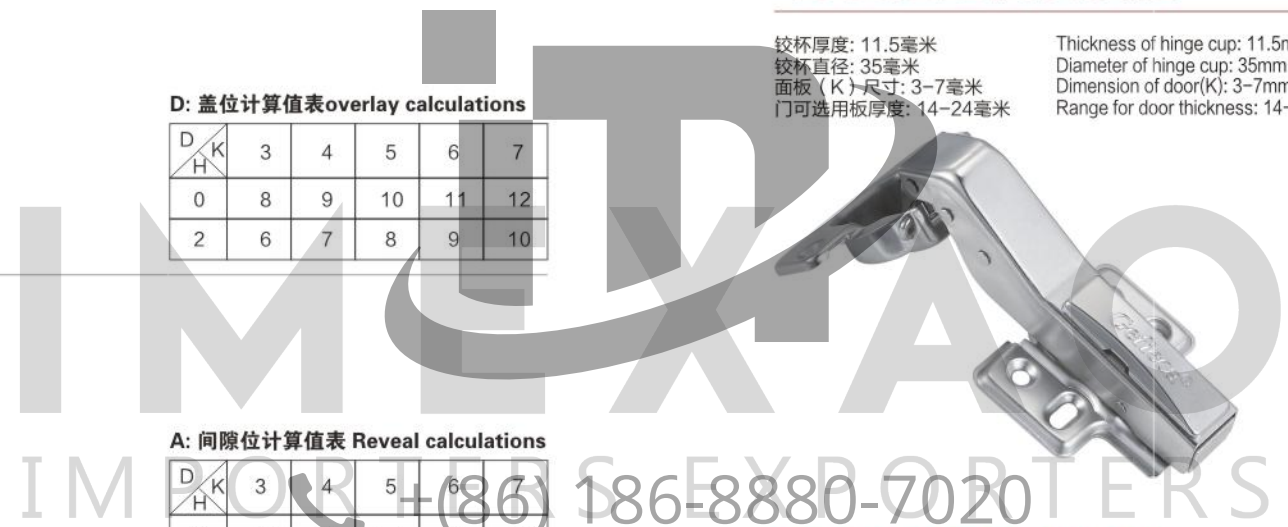
# 175度特殊铰链

开启角度: 175度  
 铰杯厚度: 11.5毫米  
 铰杯直径: 35毫米  
 面板 (K) 尺寸: 3-8毫米  
 门可选用板厚度: 14-21mm

Opening degree: 175°  
 Thickness of hinge cup: 11.5mm  
 Diameter of hinge cup: 35mm  
 Dimension of door(K): 3-8mm  
 Range for door thickness: 14-21mm



# HW-1 2-11



赫拉系列 Hera Series



赫拉系列 Hera Series

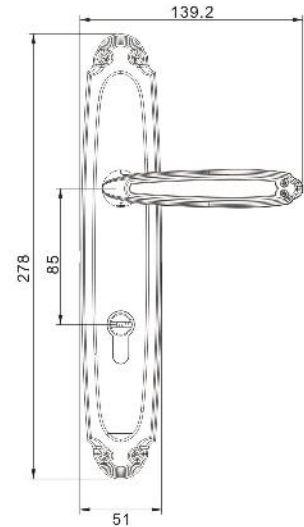


2

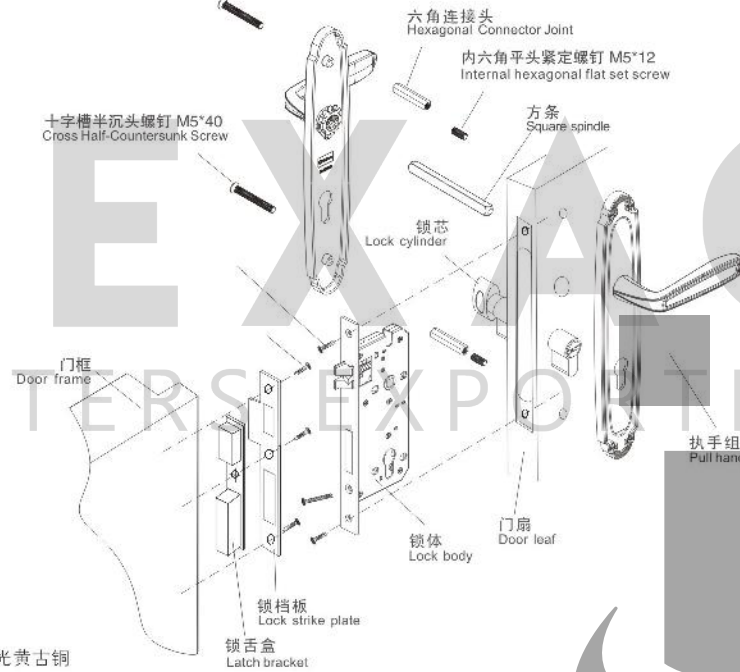
TWO 二通开闭  
Lock Hardware  
米兰世界博览会品牌战略合作伙伴  
STRATEGIC PARTNER OF EXPO2015 MILANO



HD-68541 古典铜大门锁 振光黄古铜  
Gate Door Lock (PLYB)  
(专利号: 201430047105.3) (专利号: 201430046881.1)



产品结构图:图例  
Product Structure drawing:drawing sample



产品属性 Product Features	
表面处理: 振光黄古铜 Finish: PLYB	锁面中心孔距: 210mm Central hole distance of face plate: 210mm
锁把手材质: 铜 Lever material: Brass	锁舌: S坑、蛇槽5条黄铜匙 Keys: 5 lines of "s" type pits solid brass key
锁面板材质: 铜 Lock strike plate material: Brass	适合门厚: 38-52mm Available door thickness: 38-52mm
锁体: HD-85-50E 独特斜活舌设计 Lock Distance: a unique slating tongue design	适合范围: 各种木质门扇 Available for: All kinds of wooden door leaves
锁芯: HD-85-76B 高精度蛇槽锁芯 Lock Cylinder: High security with bending slot	特点: 互开率低 Features: Low interopening

大门锁安装步骤:

1. 确保斜舌斜面与关门方向一致, 当需要调整锁体开门方向时, 向上拨开斜舌换向片, 将斜舌推入锁体后, 旋转180°, 根据安装纸划线开孔(如下图: A)。
2. 将锁体放入孔; 预紧衬板螺钉(如下图: B-C)。
3. 将方杆穿过门板插入锁体(如下图: D)。
4. 安装内外面板, 使把手转动顺畅; 拧紧螺钉(如下图: E-F)。
5. 插入锁芯, 使钥匙及旋钮转动顺畅(如下图: G)。
6. 拧紧螺钉, 安装扣板及扣盒, 对齐锁体, 应使锁舌与之配合顺畅, 拧紧螺钉(如下图: H)。

Gate lock installation steps:

1. Make sure the incline of the tongue go with the closing direction. When it is necessary to adjust the opening direction of the lock, remove the commutator bar of the inclined tongue, and push the tongue into the lock, rotate 180°. Draw lines and make holes according to the installation specification. (As the picture: A)
2. Place the lock into the hole. Pre-fix the screws of the back veneer. (As the picture: B-C)
3. Insert the square bar through the door and into the lock. (As the picture: D)
4. Install the inner and outer plates, making handle run smoothly. Screw down the screws. (As the picture: E-F)
5. Insert the lock cylinder, making the key and knob run smoothly. (As the picture: G)
6. Screw down the screws, install the gusset plate and gusset box, make them parallel to the lock and match the lock tongue. Fix the screws. (As the picture: H)

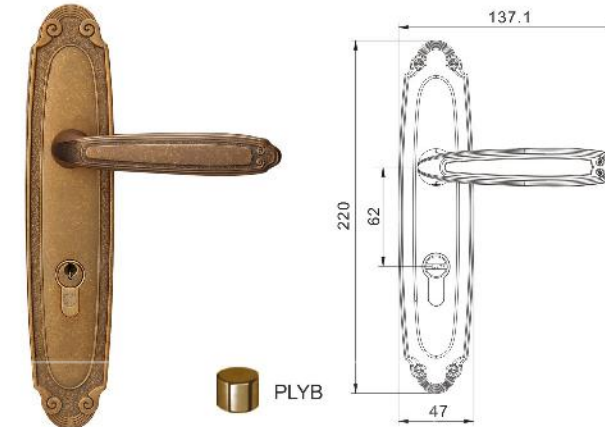


提示: 为保护产品外观和功能, 安装前请将手洗擦干净或戴上干净的布料类作业手套。装饰门扇时, 特别是门扇如漆上油漆, 请将已装好的门锁卸下, 待装修完毕后再装上。  
Attention: In order to protect the lock's surface and function, please wash your hands or wear working gloves when install it. If decorated doors, please take off the lock first, after that, put on it again.

汇泰龙保留在不影响产品使用功能、质量的前提下, 适当改动产品尺寸、外型而不另行通知的权利; 本册所有产品颜色、尺寸误差请以实物为准。

2

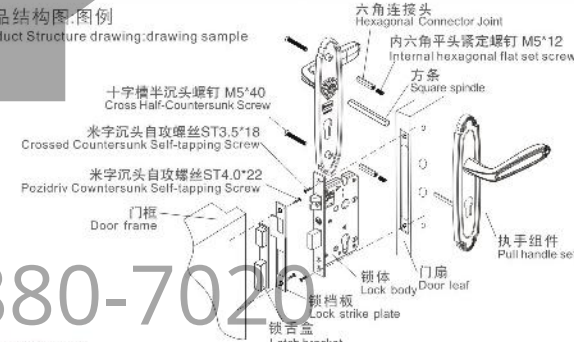
TWO 二通开闭  
Lock Hardware  
米兰世界博览会品牌战略合作伙伴  
STRATEGIC PARTNER OF EXPO2015 MILANO



HD-68542A 古典铜分体锁 振光黄古铜  
Room Door Lock (PLYB)

产品属性 Product Features	
表面处理: 振光黄古铜 Finish: PLYB	锁面中心孔距: 160mm Central hole distance of face plate: 160mm
锁把手材质: 铜 Lever material: Brass	锁匙: S坑、蛇槽5条黄铜匙 Keys: 5 lines of "s" type pits solid brass key
锁面板材质: 铜 Lock strike plate material: Brass	适合门厚: 38-52mm Available door thickness: 38-52mm
锁体: HD-62-50E 锁体 Lock Distance: HD-62-50E	适合范围: 各种木质门扇 Available for: All kinds of wooden door leaves
锁芯: HD-85-76B 高精度蛇槽锁芯 Lock Cylinder: High security with bending slot	特点: 互开率低 Features: Low interopening

产品结构图:图例  
Product Structure drawing:drawing sample

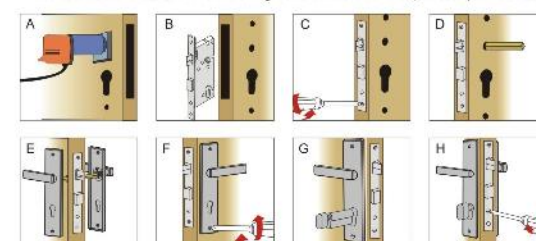


房门锁安装步骤:

1. 确保斜舌斜面与关门方向一致, 当需要调整锁体开门方向时, 向上拨开斜舌换向片, 将斜舌推入锁体后, 旋转180°, 根据安装纸划线开孔(如下图: A)。
2. 将锁体放入孔; 预紧衬板螺钉(如下图: B-C)。
3. 将方杆穿过门板插入锁体(如下图: D)。
4. 安装内外面板, 使把手转动顺畅; 拧紧螺钉(如下图: E-F)。
5. 插入锁芯, 使钥匙及旋钮转动顺畅(如下图: G)。
6. 拧紧螺钉, 安装扣板及扣盒, 对齐锁体, 应使锁舌与之配合顺畅, 拧紧螺钉(如下图: H)。

Room lock installation steps:

1. Make sure the incline of the tongue go with the closing direction. When it is necessary to adjust the opening direction of the lock, remove the commutator bar of the inclined tongue, and push the tongue into the lock, rotate 180°. Draw lines and make holes according to the installation specification. (As the picture: A)
2. Place the lock into the hole. Pre-fix the screws of the back veneer. (As the picture: B-C)
3. Insert the square bar through the door and into the lock. (As the picture: D)
4. Install the inner and outer plates, making handle run smoothly. Screw down the screws. (As the picture: E-F)
5. Insert the lock cylinder, making the key and knob run smoothly. (As the picture: G)
6. Screw down the screws, install the gusset plate and gusset box, make them parallel to the lock and match the lock tongue. Fix the screws. (As the picture: H)



提示: 为保护产品外观和功能, 安装前请将手洗擦干净或戴上干净的布料类作业手套。装饰门扇时, 特别是门扇如漆上油漆, 请将已装好的门锁卸下, 待装修完毕后再装上。  
Attention: In order to protect the lock's surface and function, please wash your hands or wear working gloves when install it. If decorated doors, please take off the lock first, after that, put on it again.

欲了解更多详细资料, 请登陆汇泰龙国际互联网: www.hutlon.com



艺薄系列 Thinner series



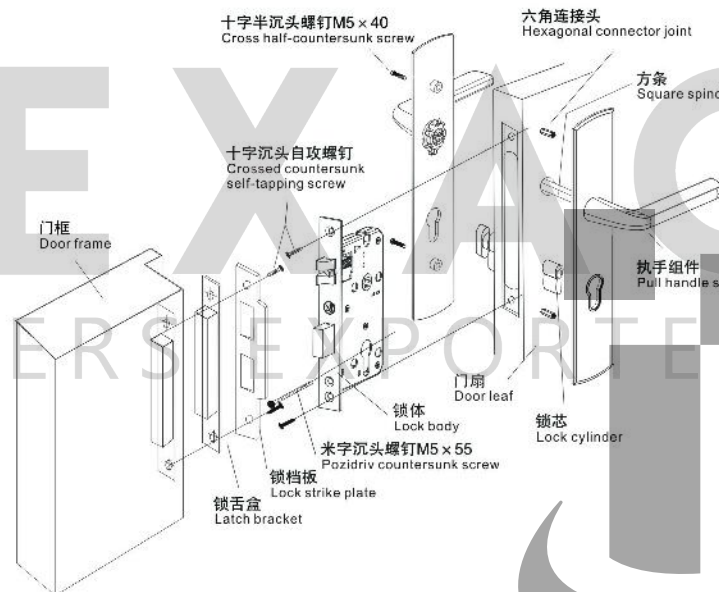
2

TWO 仁德门业  
Lock Hardware  
米兰世界博览会余品牌战略合作伙伴  
STRATEGIC PARTNER OF EXPO2015 MILANO



HD-67801 大门锁 PVD金  
Gate Door Lock (PVD Gold)

产品结构图:图例  
Product Structure drawing: drawing sample



PVD Gold

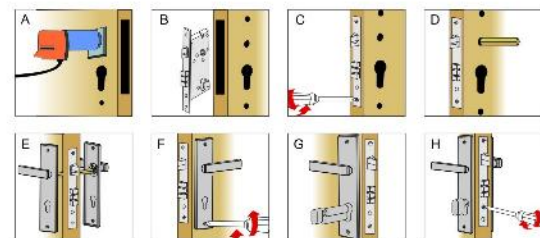
产品属性 Product Features	
表面处理: PVD金 Finish: PVD Gold	钥匙: 5条带蛇形槽防盗钥匙 Keys: 5 with snake-like groove anti-theft key
锁把手材质: SUS304不锈钢 Lever material: Stainless Steel SUS304	锁舌板中心孔距: 85mm Keys: 85mm
锁置板材质: SUS304 Lock strike plate material: Stainless Steel SUS304	适合门厚: 40-55mm Available door thickness: 40-55mm
锁体: HD-85-50E Lock body: HD-85-50E	适合范围: 各种木质门扇 Available for: All kinds of wooden door leaves
锁芯: HD-85-65B Lock Cylinder: HD-85-65B	特点: 互开率低噪音小、开启轻巧灵活。 Features: Low interopening; Silent and easy opening

大门锁安装步骤:

1. 确保斜舌斜面与关门方向一致, 当需要调整锁体开门方向时, 向上拨开斜舌换向片, 将斜舌推进锁体后, 旋转180°, 根据安装线规画线开孔(如下图: A)。
2. 将锁体放入孔; 预紧衬板螺钉(如下图: B-C)。
3. 将方杆穿过门板插入锁体(如下图: D)。
4. 安装内外面板, 使把手转动顺畅; 拧紧螺钉(如下图: E-F)。
5. 插入锁芯, 使钥匙及旋钮转动顺畅(如下图: G)。
6. 拧紧螺钉, 安装扣板及扣盒, 对齐锁体, 应使锁舌与之配合顺畅, 拧紧螺钉(如下图: H)。

Gate lock installation steps:

1. Make sure the incline of the tongue go with the closing direction. When it is necessary to adjust the opening direction of the lock, remove the commutator bar of the inclined tongue, and push the tongue into the lock, rotate 180°. Draw lines and make holes according to the installation specification. (As the picture: A)
2. Place the lock into the hole. Pre-fix the screws of the back veneer. (As the picture: B-C)
3. Insert the square bar through the door and into the lock. (As the picture: D)
4. Install the inner and outer plates, making handle run smoothly. Screw down the screws. (As the picture: E-F)
5. Insert the lock cylinder, making the key and knob run smoothly. (As the picture: G)
6. Screw down the screws, install the gusset plate and gusset box, make them parallel to the lock and match the lock tongue. Fix the screws. (As the picture: H)



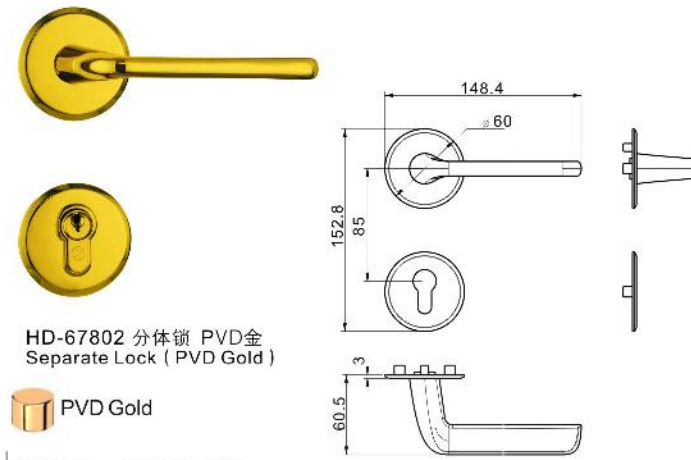
提示: 为保护产品外观和功能, 安装门锁前请将手洗净或带上干净的布料类作业手套。装修门扇时, 特别是门扇如漆上油漆, 请将已装好的门锁卸下, 待装修完毕后再装上。  
Attention: In order to protect the lock's surface and function, please wash your hands or wear working gloves when install it. If decorated doors, please take off the lock first, after that, put on it again.

艺薄系列 Thinner series



2

TWO 仁德门业  
Lock Hardware  
米兰世界博览会余品牌战略合作伙伴  
STRATEGIC PARTNER OF EXPO2015 MILANO

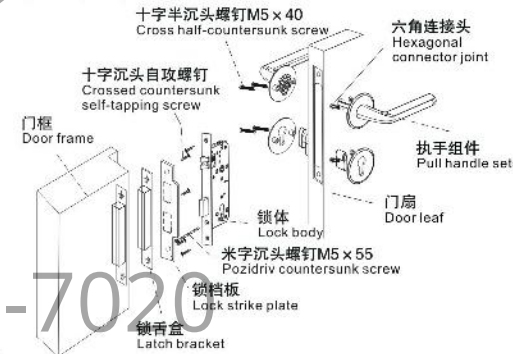


HD-67802 分体锁 PVD金  
Separate Lock (PVD Gold)

PVD Gold

产品属性 Product Features	
表面处理: PVD金 Finish: PVD Gold	钥匙: 5条带蛇形槽防盗钥匙 Keys: 5 with snake-like groove anti-theft key
锁把手材质: SUS304不锈钢 Lever material: Stainless Steel SUS304	适合门厚: 40-55mm Available door thickness: 40-55mm
锁置板材质: SUS304不锈钢 Lock strike plate material: Stainless Steel SUS304	适合范围: 各种木质门扇 Available for: All kinds of wooden door leaves
锁体: HD-85-50E Lock body: HD-85-50E	特点: 互开率低噪音小、开启轻巧灵活。 Features: Low interopening; Silent and easy opening
锁芯: HD-85-65B Lock Cylinder: HD-85-65B	

产品结构图:图例  
Product Structure drawing: drawing sample

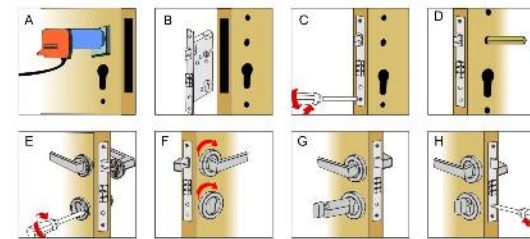


分体锁安装步骤:

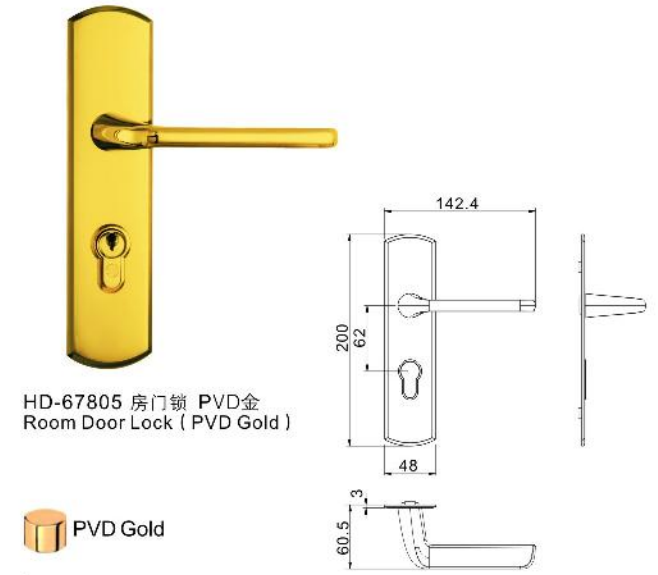
1. 确保斜舌斜面与关门方向一致, 当需要调整锁体开门方向时, 向上拨开斜舌换向片, 将斜舌推进锁体后, 旋转180°, 根据安装线规画线开孔(如下图: A)。
2. 将锁体放入孔; 预紧衬板螺钉, 分别从锁体和执手圆上拆出外盖; 将方杆穿过门板插入锁体(如下图: B-D)。
3. 安装内外执手圆组件, 使把手转动顺畅, 拧紧螺钉, 安装内外锁圈, 插入锁芯(如下图: E-G)。
4. 使钥匙及旋钮转动顺畅, 拧紧螺钉, 安装扣板及扣盒, 对齐锁体, 应使锁舌与之配合顺畅, 拧紧螺钉(如下图: H)。

Separator-lock Installation steps:

1. Make sure the incline of the tongue go with the closing direction. When it is necessary to adjust the opening direction of the lock, remove the commutator bar of the inclined tongue, and push the tongue into the lock, rotate 180°. Draw lines and make holes according to the installation specification. (As the picture: A)
2. Place the lock into the hole. Pre-fix the screws of the back veneer. Remove the cover from the locking collar and handle collar. Insert the square bar through the door and into the lock. (As the picture: B-D)
3. Install the inner and outer parts of the handle collar. Make the handle run smoothly, and fix the screws. Install the inner and outer locking collar. (As the picture: E-G)
4. Insert the lock cylinder. Make the key and knob run smoothly. Fix the screws. Install the gusset plate and gusset box, make them parallel to the lock and match the lock tongue. Fix the screws. (As the picture: H)



提示: 为保护产品外观和功能, 安装门锁前请将手洗净或带上干净的布料类作业手套。装修门扇时, 特别是门扇如漆上油漆, 请将已装好的门锁卸下, 待装修完毕后再装上。  
Attention: In order to protect the lock's surface and function, please wash your hands or wear working gloves when install it. If decorated doors, please take off the lock first, after that, put on it again.

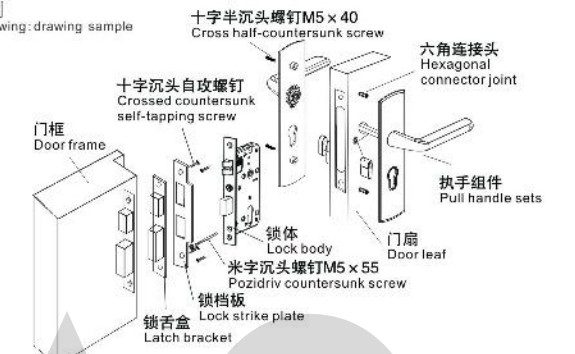


HD-67805 房门锁 PVD金  
Room Door Lock (PVD Gold)

PVD Gold

产品属性 Product Features	
表面处理: PVD金 Finish: PVD Gold	钥匙: 5条带蛇形槽防盗钥匙 Keys: 5 with snake-like groove anti-theft key
锁把手材质: SUS304不锈钢 Lever material: Stainless Steel SUS304	锁置板中心孔距: 62mm Keys: 62mm
锁置板材质: SUS304 Lock strike plate material: Stainless Steel SUS304	适合门厚: 40-55mm Available door thickness: 40-55mm
锁体: HD-62-50E Lock body: HD-62-50E	适合范围: 各种木质门扇 Available for: All kinds of wooden door leaves
锁芯: HD-85-65B Lock Cylinder: HD-85-65B	特点: 互开率低噪音小、开启轻巧灵活。 Features: Low interopening; Silent and easy opening

产品结构图:图例  
Product Structure drawing: drawing sample

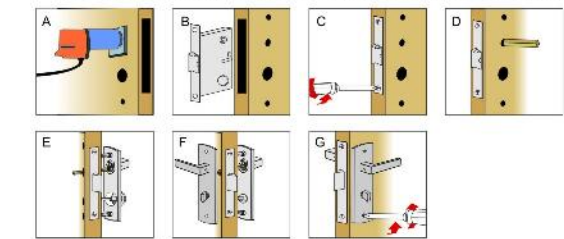


日式锁安装步骤:

1. 确保斜舌斜面与关门方向一致, 根据安装线规画线开孔(如下图: A)。
2. 将锁体放入孔; 预紧衬板螺钉; 将方杆穿过门板插入锁体(如下图: B-D)。
3. 安装内外面板, 预紧面板螺钉使钥匙及旋钮转动顺畅(如下图: E)。
4. 将执手套入方柱, 使把手转动顺畅(如下图: F)。
5. 预紧执手螺钉, 安装扣板及扣盒, 对齐锁体, 应使锁舌与之配合顺畅, 拧紧螺钉(如下图: G)。

Japanese style lock Installation steps:

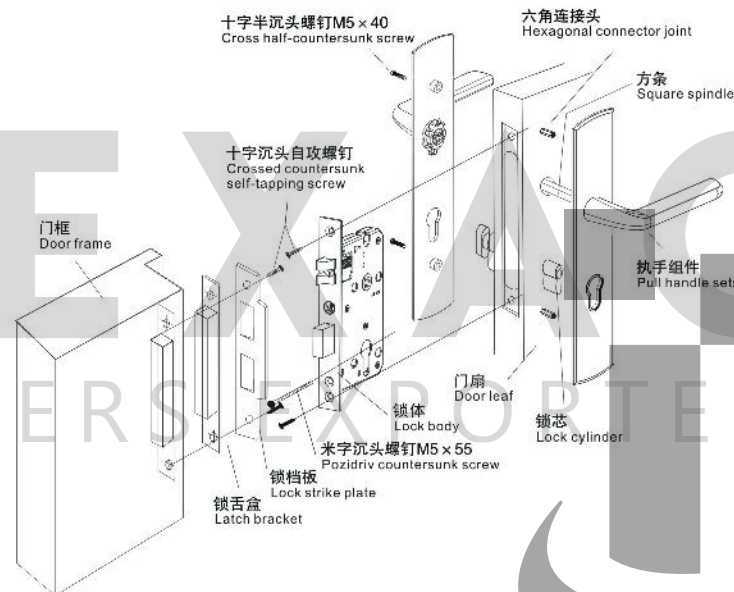
1. Make sure the incline of the tongue go with the closing direction. Draw lines and make holes according to the installation specification. (As the picture: A)
2. Place the lock into the hole. Pre-fix the screws of the back veneer. Insert the square bar through the door and into the lock. (As the picture: B-D)
3. Install the inner and outer plates. Pre-fix the screw of inner plates, making the key and knob run smoothly. (As the picture: E)
4. Install handle, making handle run smoothly. (As the picture: F)
5. Pre-fix the screw of handle. Install the gusset plate and gusset box, make them parallel to the lock and match the lock tongue. Fix the screws. (As the picture: G)





HD-67801 大门锁 光铬  
Gate Door Lock (CP)

产品结构图:图例  
Product Structure drawing: drawing sample



CP

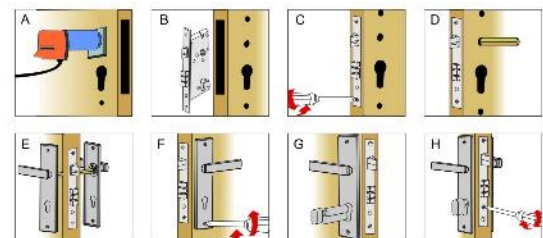
产品属性 Product Features	
表面处理: 光铬 Finish: CP	钥匙: 5条带蛇形槽防盗钥匙 Keys: 5 with snake-like groove anti-theft key
锁把手材质: SUS304不锈钢 Lever material: Stainless Steel SUS304	锁面板中心孔距: 85mm Keys: 85mm
锁面板材质: SUS304 Lock strike plate material: Stainless Steel SUS304	适合门厚: 40-55mm Available door thickness: 40-55mm
锁体: HD-85-50E Lock body: HD-85-50E	适合范围: 各种木质门扇 Available for: All kinds of wooden door leaves
锁芯: HD-85-65B Lock Cylinder: HD-85-65B	特点: 互开率低噪音小、开启轻巧灵活。 Features: Low interopening; Silent and easy opening

**大门锁安装步骤:**

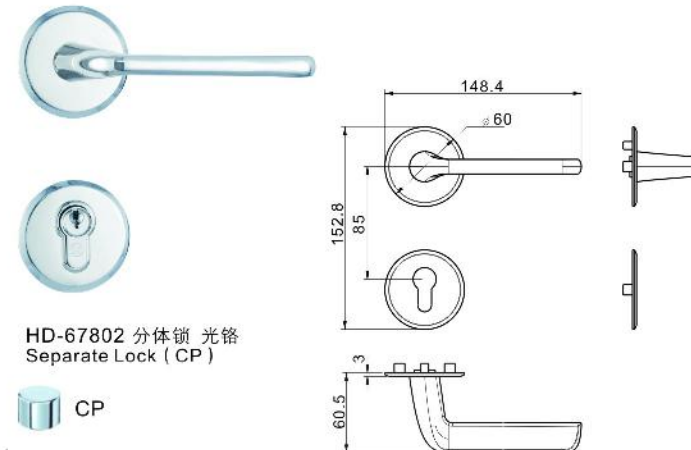
1. 确保斜舌斜面与关门方向一致, 当需要调整锁体开门方向时, 向上拨开斜舌换向片, 将斜舌推入锁体后, 旋转180°, 根据安装线画线开孔(如下图: A)。
2. 将锁体放入孔; 预紧衬板螺钉(如下图: B-C)。
3. 将方杆穿过门板插入锁体(如下图: D)。
4. 安装内外面板, 使把手转动顺畅; 拧紧螺钉, 安装内外锁圈, 插入锁芯(如下图: E-F)。
5. 插入锁芯, 使钥匙及旋钮转动顺畅(如下图: G)。
6. 拧紧螺钉, 安装扣板及扣盒, 对齐锁体, 应使锁舌与之配合顺畅, 拧紧螺钉(如下图: H)。

**Gate lock installation steps:**

1. Make sure the incline of the tongue go with the closing direction. When it is necessary to adjust the opening direction of the lock, remove the commutator bar of the inclined tongue, and push the tongue into the lock, rotate 180°. Draw lines and make holes according to the installation specification. (As the picture: A)
2. Place the lock into the hole. Pre-fix the screws of the back veneer. (As the picture: B-C)
3. Insert the square bar through the door and into the lock. (As the picture: D)
4. Install the inner and outer plates, making handle run smoothly. Screw down the screws. (As the picture: E-F)
5. Insert the lock cylinder, making the key and knob run smoothly. (As the picture: G)
6. Screw down the screws, install the gusset plate and gusset box, make them parallel to the lock and match the lock tongue. Fix the screws. (As the picture: H)



提示: 为保护产品外观和功能, 安装门锁前请将手洗净或带上干净的布料类作业手套。装修门扇时, 特别是门扇如漆上油漆, 请将已装好的门锁卸下, 待装修完毕后再装上。  
Attention: In order to protect the lock's surface and function, please wash your hands or wear working gloves when install it. If decorated doors, please take off the lock first, after that, put on it again.

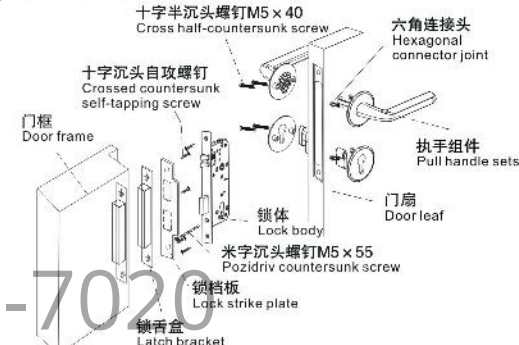


HD-67802 分体锁 光铬  
Separate Lock (CP)

CP

产品属性 Product Features	
表面处理: 光铬 Finish: CP	钥匙: 5条带蛇形槽防盗钥匙 Keys: 5 with snake-like groove anti-theft key
锁把手材质: SUS304不锈钢 Lever material: Stainless Steel SUS304	适合门厚: 40-55mm Available door thickness: 40-55mm
锁面板材质: SUS304不锈钢 Lock strike plate material: Stainless Steel SUS304	适合范围: 各种木质门扇 Available for: All kinds of wooden door leaves
锁体: HD-85-50E Lock body: HD-85-50E	特点: 互开率低噪音小、开启轻巧灵活。 Features: Low interopening; Silent and easy opening
锁芯: HD-85-65B Lock Cylinder: HD-85-65B	

产品结构图:图例  
Product Structure drawing: drawing sample

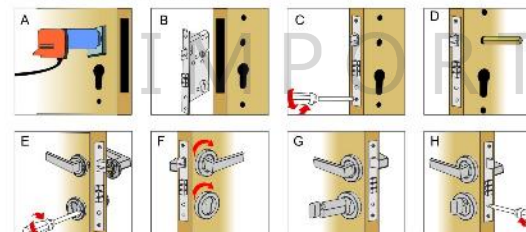


**分体锁安装步骤:**

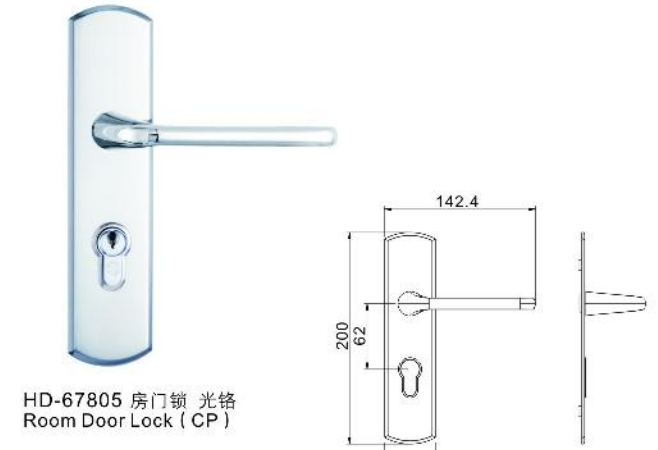
1. 确保斜舌斜面与关门方向一致, 当需要调整锁体开门方向时, 向上拨开斜舌换向片, 将斜舌推入锁体后, 旋转180°, 根据安装线画线开孔(如下图: A)。
2. 将锁体放入孔; 预紧衬板螺钉, 分别从锁体和执手圈上拆出外盖; 将方杆穿过门板插入锁体(如下图: B-D)。
3. 安装内外执手圈组件, 使把手转动顺畅, 拧紧螺钉, 安装内外锁圈, 插入锁芯(如下图: E-G)。
4. 使钥匙及旋钮转动顺畅, 拧紧螺钉, 安装扣板及扣盒, 对齐锁体, 应使锁舌与之配合顺畅, 拧紧螺钉(如下图: H)。

**Separat-lock installation steps:**

1. Make sure the incline of the tongue go with the closing direction. When it is necessary to adjust the opening direction of the lock, remove the commutator bar of the inclined tongue, and push the tongue into the lock, rotate 180°. Draw lines and make holes according to the installation specification. (As the picture: A)
2. Place the lock into the hole. Pre-fix the screws of the back veneer. Remove the cover from the locking collar and handle collar. Insert the square bar through the door and into the lock. (As the picture: B-D)
3. Install the inner and outer parts of the handle collar. Make the handle run smoothly, and fix the screws. Install the inner and outer locking collar. (As the picture: E-G)
4. Insert the lock cylinder. Make the key and knob run smoothly. Fix the screws. Install the gusset plate and gusset box, make them parallel to the lock and match the lock tongue. Fix the screws. (As the picture: H)



提示: 为保护产品外观和功能, 安装门锁前请将手洗净或带上干净的布料类作业手套。装修门扇时, 特别是门扇如漆上油漆, 请将已装好的门锁卸下, 待装修完毕后再装上。  
Attention: In order to protect the lock's surface and function, please wash your hands or wear working gloves when install it. If decorated doors, please take off the lock first, after that, put on it again.

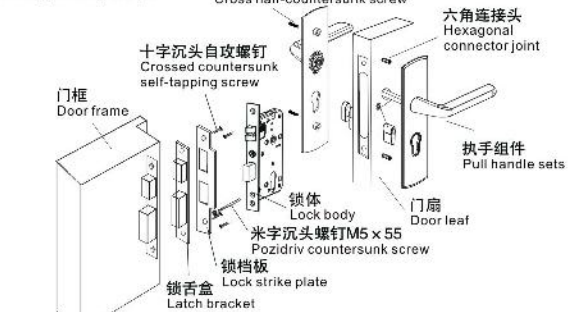


HD-67805 房门锁 光铬  
Room Door Lock (CP)

CP

产品属性 Product Features	
表面处理: 光铬 Finish: CP	钥匙: 5条带蛇形槽防盗钥匙 Keys: 5 with snake-like groove anti-theft key
锁把手材质: SUS304不锈钢 Lever material: Stainless Steel SUS304	锁面板中心孔距: 62mm Keys: 62mm
锁面板材质: SUS304 Lock strike plate material: Stainless Steel SUS304	适合门厚: 40-55mm Available door thickness: 40-55mm
锁体: HD-62-50E Lock body: HD-62-50E	适合范围: 各种木质门扇 Available for: All kinds of wooden door leaves
锁芯: HD-85-65B Lock Cylinder: HD-85-65B	特点: 互开率低噪音小、开启轻巧灵活。 Features: Low interopening; Silent and easy opening

产品结构图:图例  
Product Structure drawing: drawing sample

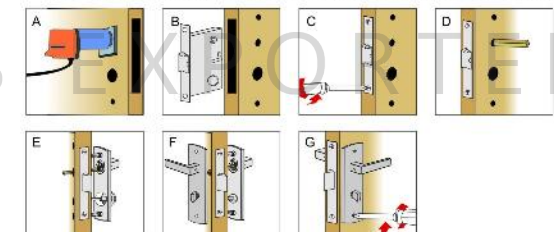


**日式锁安装步骤:**

1. 确保斜舌斜面与关门方向一致, 根据安装线画线开孔(如下图: A)。
2. 将锁体放入孔; 预紧衬板螺钉; 将方杆穿过门板插入锁体(如下图: B-D)。
3. 安装内外面板, 预紧面板螺钉使钥匙及旋钮转动顺畅(如下图: E)。
4. 将执手套入方杆, 使把手转动顺畅(如下图: F)。
5. 预紧执手螺钉, 安装扣板及扣盒, 对齐锁体, 应使锁舌与之配合顺畅, 拧紧螺钉(如下图: G)。

**Japanese style lock installation steps:**

1. Make sure the incline of the tongue go with the closing direction. Draw lines and make holes according to the installation specification. (As the picture: A)
2. Place the lock into the hole. Pre-fix the screws of the back veneer. Insert the square bar through the door and into the lock. (As the picture: B-D)
3. Install the inner and outer plates. Pre-fix the screw of inner plates, making the key and knob run smoothly. (As the picture: E)
4. Install handle, making handle run smoothly. (As the picture: F)
5. Pre-fix the screw of handle, install the gusset plate and gusset box, make them parallel to the lock and match the lock tongue. Fix the screws. (As the picture: G)



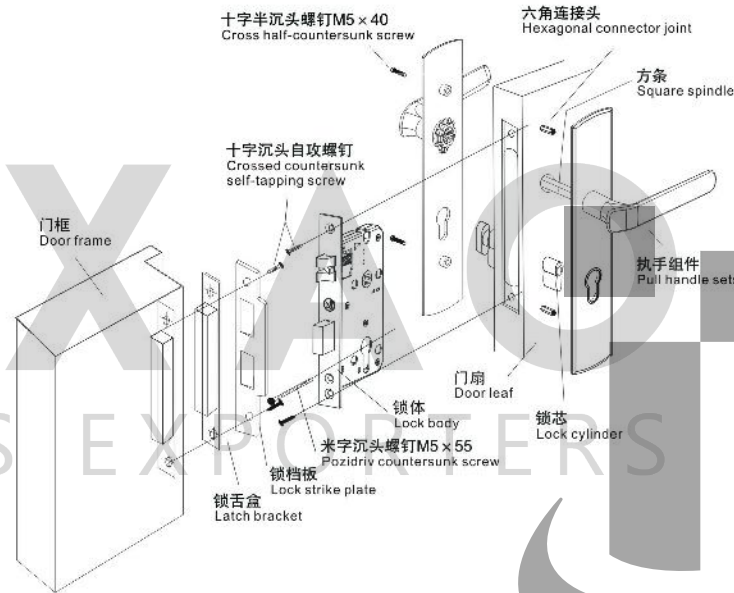
2

TWO 仁德门业  
Lock Hardware  
米兰世界博览会金牌战略合作伙伴  
STRATEGIC PARTNER OF EXPO2015 MILANO



HD-67811 大门锁 PVD金  
Gate Door Lock (PVD Gold)

产品结构图:图例  
Product Structure drawing: drawing sample



PVD Gold

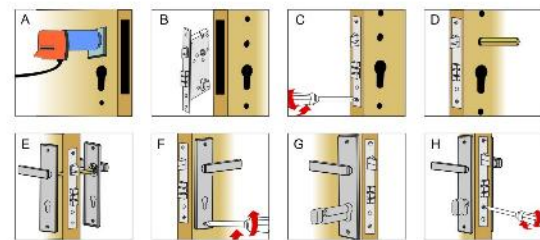
产品属性 Product Features	
表面处理: PVD金 Finish: PVD Gold	钥匙: 5条带蛇形槽防盗钥匙 Keys: 5 with snake-like groove anti-theft key
锁把手材质: SUS304不锈钢 Lever material: Stainless Steel SUS304	锁舌板中心孔距: 85mm Keys: 85mm
锁舌板材质: SUS304 Lock strike plate material: Stainless Steel SUS304	适合门厚: 40-55mm Available door thickness: 40-55mm
锁体: HD-85-50E Lock body: HD-85-50E	适合范围: 各种木质门扇 Available for: All kinds of wooden door leaves
锁芯: HD-85-65B Lock Cylinder: HD-85-65B	特点: 互开率低噪音小、开启轻巧灵活。 Features: Low interopening; Silent and easy opening

大门锁安装步骤:

1. 确保斜舌斜面与关门方向一致, 当需要调整锁体开门方向时, 向上拨开斜舌换片, 将斜舌推进锁体后, 旋转180°, 根据安装纸画线开孔(如下图: A)。
2. 将锁体放入孔; 预紧衬板螺钉(如下图: B-C)。
3. 将方杆穿过门板插入锁体(如下图: D)。
4. 安装内外面板, 使把手转动顺畅; 拧紧螺钉(如下图: E-F)。
5. 插入锁芯, 使钥匙及旋钮转动顺畅(如下图: G)。
6. 拧紧螺钉, 安装扣板及扣盒, 对齐锁体, 应使锁舌与之配合顺畅, 拧紧螺钉(如下图: H)。

Gate lock installation steps:

1. Make sure the incline of the tongue go with the closing direction. When it is necessary to adjust the opening direction of the lock, remove the commutator bar of the inclined tongue, and push the tongue into the lock, rotate 180°. Draw lines and make holes according to the installation specification. (As the picture: A)
2. Place the lock into the hole. Pre-fix the screws of the back veneer. (As the picture: B-C)
3. Insert the square bar through the door and into the lock. (As the picture: D)
4. Install the inner and outer plates, making handle run smoothly. Screw down the screws. (As the picture: E-F)
5. Insert the lock cylinder, making the key and knob run smoothly. (As the picture: G)
6. Screw down the screws, install the gusset plate and gusset box, make them parallel to the lock and match the lock tongue. Fix the screws. (As the picture: H)

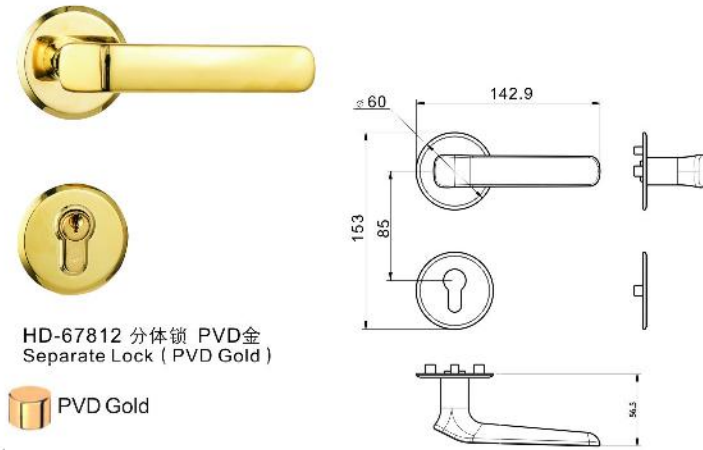


提示: 为保护产品外观和功能, 安装门锁前请将手洗净或带上干净的布料类作业手套。装修门扇时, 特别是门扇如漆上油漆, 请将已装好的门锁卸下, 待装修完毕后再装上。  
Attention: In order to protect the lock's surface and function, please wash your hands or wear working gloves when install it. If decorated doors, please take off the lock first, after that, put on it again.

汇泰龙保留在不影响产品使用功能、质量的前提下, 适当改动产品尺寸、外型而不另行通知的权利; 本册所有产品颜色、尺寸误差请以实物为准。

2

TWO 仁德门业  
Lock Hardware  
米兰世界博览会金牌战略合作伙伴  
STRATEGIC PARTNER OF EXPO2015 MILANO

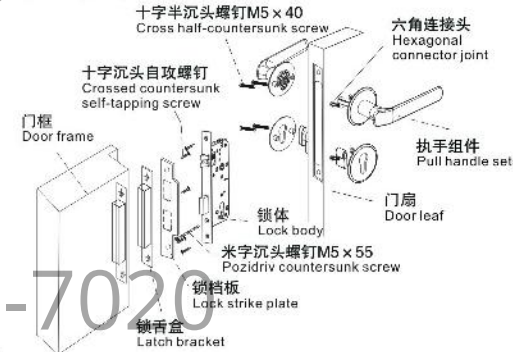


HD-67812 分体锁 PVD金  
Separate Lock (PVD Gold)

PVD Gold

产品属性 Product Features	
表面处理: PVD金 Finish: PVD Gold	钥匙: 5条带蛇形槽防盗钥匙 Keys: 5 with snake-like groove anti-theft key
锁把手材质: SUS304不锈钢 Lever material: Stainless Steel SUS304	适合门厚: 40-55mm Available door thickness: 40-55mm
锁舌板材质: SUS304不锈钢 Lock strike plate material: Stainless Steel SUS304	适合范围: 各种木质门扇 Available for: All kinds of wooden door leaves
锁体: HD-85-50E Lock body: HD-85-50E	特点: 互开率低噪音小、开启轻巧灵活。 Features: Low interopening; Silent and easy opening
锁芯: HD-85-65B Lock Cylinder: HD-85-65B	

产品结构图:图例  
Product Structure drawing: drawing sample

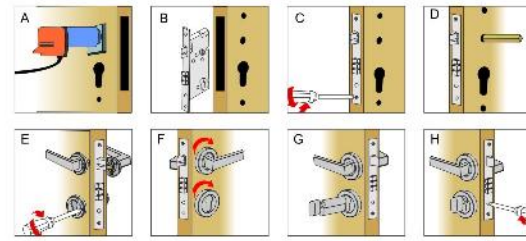


分体锁安装步骤:

1. 确保斜舌斜面与关门方向一致, 当需要调整锁体开门方向时, 向上拨开斜舌换片, 将斜舌推进锁体后, 旋转180°, 根据安装纸画线开孔(如下图: A)。
2. 将锁体放入孔; 预紧衬板螺钉, 分别从锁体和执手圈上拆出外盖; 将方杆穿过门板插入锁体(如下图: B-D)。
3. 安装内外执手圈组件, 使把手转动顺畅, 拧紧螺钉, 安装内外锁圈, 插入锁芯(如下图: E-G)。
4. 使钥匙及旋钮转动顺畅, 拧紧螺钉, 安装扣板及扣盒, 对齐锁体, 应使锁舌与之配合顺畅, 拧紧螺钉(如下图: H)。

Separator-lock installation steps:

1. Make sure the incline of the tongue go with the closing direction. When it is necessary to adjust the opening direction of the lock, remove the commutator bar of the inclined tongue, and push the tongue into the lock, rotate 180°. Draw lines and make holes according to the installation specification. (As the picture: A)
2. Place the lock into the hole. Pre-fix the screws of the back veneer. Remove the cover from the locking collar and handle collar. Insert the square bar through the door and into the lock. (As the picture: B-D)
3. Install the inner and outer parts of the handle collar. Make the handle run smoothly, and fix the screws. Install the inner and outer locking collar. (As the picture: E-G)
4. Insert the lock cylinder. Make the key and knob run smoothly. Fix the screws. Install the gusset plate and gusset box, make them parallel to the lock and match the lock tongue. Fix the screws. (As the picture: H)



提示: 为保护产品外观和功能, 安装门锁前请将手洗净或带上干净的布料类作业手套。装修门扇时, 特别是门扇如漆上油漆, 请将已装好的门锁卸下, 待装修完毕后再装上。  
Attention: In order to protect the lock's surface and function, please wash your hands or wear working gloves when install it. If decorated doors, please take off the lock first, after that, put on it again.

欲了解更多详细资料, 请登陆汇泰龙国际互联网: www.hutlon.com

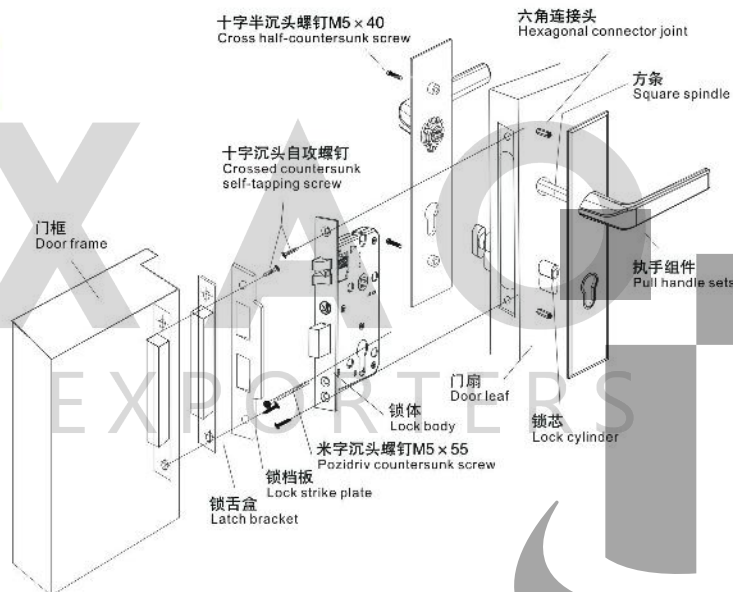
2

TWO 仁德门牌  
Lock Hardware  
米兰世界博覽會品牌戰略合作夥伴  
STRATEGIC PARTNER OF EXPO2015 MILANO



HD-67821 大门锁 PVD金  
Gate Door Lock (PVD Gold)

产品结构图:图例  
Product Structure drawing: drawing sample



PVD Gold

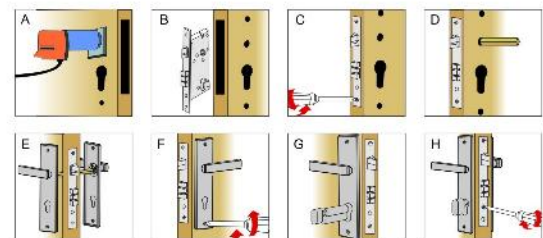
产品属性 Product Features	
表面处理: PVD金 Finish: PVD Gold	钥匙: 5条带蛇形槽防盗钥匙 Keys: 5 with snake-like groove anti-theft key
锁把手材质: SUS304不锈钢 Lever material: Stainless Steel SUS304	锁面板中心孔距: 85mm Keys: 85mm
锁面板材质: SUS304 Lock strike plate material: Stainless Steel SUS304	适合门厚: 40-55mm Available door thickness: 40-55mm
锁体: HD-85-50E Lock body: HD-85-50E	适合范围: 各种木质门扇 Available for: All kinds of wooden door leaves
锁芯: HD-85-65B Lock Cylinder: HD-85-65B	特点: 互开率低噪音小、开启轻巧灵活。 Features: Low interopening; Silent and easy opening

大门锁安装步骤:

1. 确保斜舌斜面与关门方向一致, 当需要调整锁体开门方向时, 向上拨开斜舌换片, 将斜舌推进锁体后, 旋转180°, 根据安装线画线开孔(如下图: A)。
2. 将锁体放入孔; 预紧衬板螺钉(如下图: B-C)。
3. 将方杆穿过门板插入锁体(如下图: D)。
4. 安装内外面板, 使把手转动顺畅; 拧紧螺钉(如下图: E-F)。
5. 插入锁芯, 使钥匙及旋钮转动顺畅(如下图: G)。
6. 拧紧螺钉, 安装扣板及扣盒, 对齐锁体, 应使锁舌与之配合顺畅, 拧紧螺钉(如下图: H)。

Gate lock installation steps:

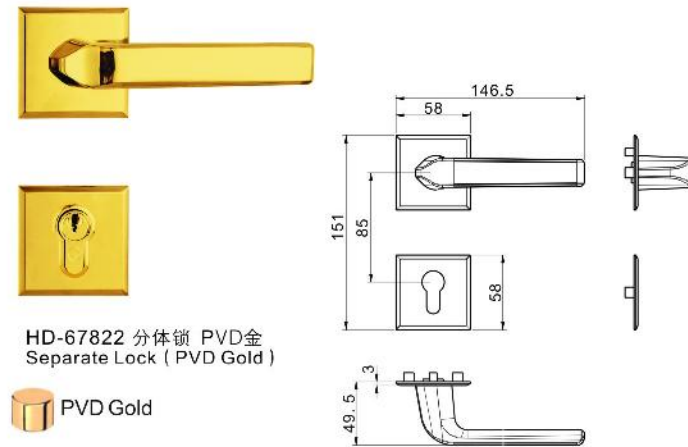
1. Make sure the incline of the tongue go with the closing direction. When it is necessary to adjust the opening direction of the lock, remove the commutator bar of the inclined tongue, and push the tongue into the lock, rotate 180°. Draw lines and make holes according to the installation specification. (As the picture: A)
2. Place the lock into the hole. Pre-fix the screws of the back veneer. (As the picture: B-C)
3. Insert the square bar through the door and into the lock. (As the picture: D)
4. Install the inner and outer plates, making handle run smoothly. Screw down the screws. (As the picture: E-F)
5. Insert the lock cylinder, making the key and knob run smoothly. (As the picture: G)
6. Screw down the screws, install the gusset plate and gusset box, make them parallel to the lock and match the lock tongue. Fix the screws. (As the picture: H)



提示: 为保护产品外观和功能, 安装门锁前请将手洗净或带上干净的布料类作业手套。装修门扇时, 特别是门扇如漆上油漆, 请将已装好的门锁卸下, 待装修完毕后再装上。  
Attention: In order to protect the lock's surface and function, please wash your hands or wear working gloves when install it. If decorated doors, please take off the lock first, after that, put on it again.

2

TWO 仁德门牌  
Lock Hardware  
米兰世界博覽會品牌戰略合作夥伴  
STRATEGIC PARTNER OF EXPO2015 MILANO

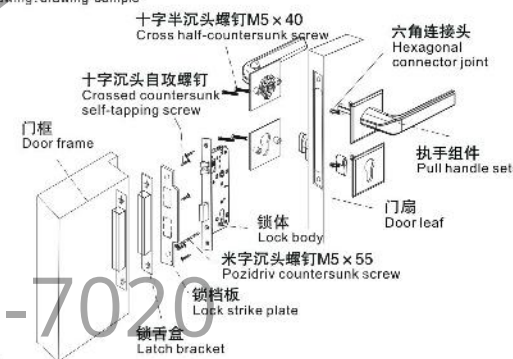


HD-67822 分体锁 PVD金  
Separate Lock (PVD Gold)

PVD Gold

产品属性 Product Features	
表面处理: PVD金 Finish: PVD Gold	钥匙: 5条带蛇形槽防盗钥匙 Keys: 5 with snake-like groove anti-theft key
锁把手材质: SUS304不锈钢 Lever material: Stainless Steel SUS304	适合门厚: 40-55mm Available door thickness: 40-55mm
锁面板材质: SUS304不锈钢 Lock strike plate material: Stainless Steel SUS304	适合范围: 各种木质门扇 Available for: All kinds of wooden door leaves
锁体: HD-85-50E Lock body: HD-85-50E	特点: 互开率低噪音小、开启轻巧灵活。 Features: Low interopening; Silent and easy opening
锁芯: HD-85-65B Lock Cylinder: HD-85-65B	

产品结构图:图例  
Product Structure drawing: drawing sample

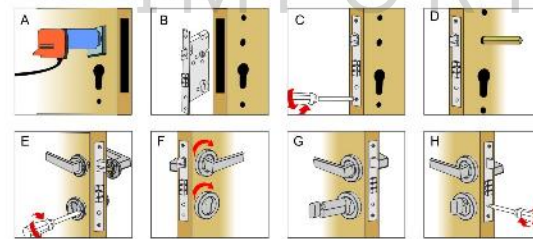


分体锁安装步骤:

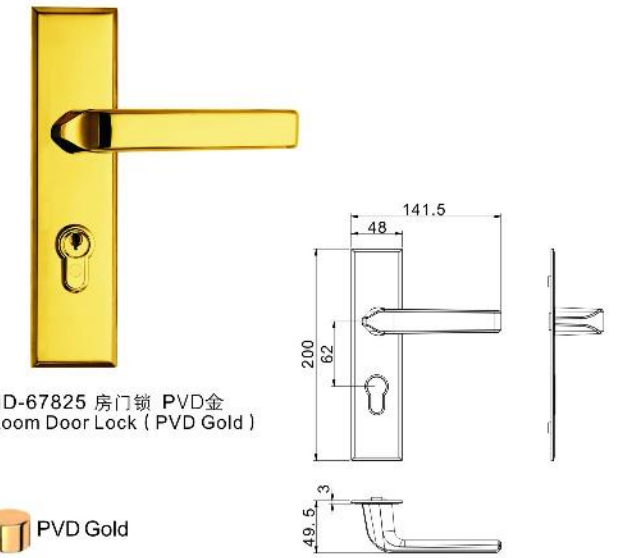
1. 确保斜舌斜面与关门方向一致, 当需要调整锁体开门方向时, 向上拨开斜舌换片, 将斜舌推进锁体后, 旋转180°, 根据安装线画线开孔(如下图: A)。
2. 将锁体放入孔; 预紧衬板螺钉, 分别从锁体和执手圆上拆出外盖; 将方杆穿过门板插入锁体(如下图: B-D)。
3. 安装内外执手圆组件, 使把手转动顺畅, 拧紧螺钉, 安装内外锁圈, 插入锁芯(如下图: E-G)。
4. 使钥匙及旋钮转动顺畅, 拧紧螺钉, 安装扣板及扣盒, 对齐锁体, 应使锁舌与之配合顺畅, 拧紧螺钉(如下图: H)。

Separator-lock Installation steps:

1. Make sure the incline of the tongue go with the closing direction. When it is necessary to adjust the opening direction of the lock, remove the commutator bar of the inclined tongue, and push the tongue into the lock, rotate 180°. Draw lines and make holes according to the installation specification. (As the picture: A)
2. Place the lock into the hole. Pre-fix the screws of the back veneer. Remove the cover from the locking collar and handle collar. Insert the square bar through the door and into the lock. (As the picture: B-D)
3. Install the inner and outer parts of the handle collar. Make the handle run smoothly, and fix the screws. Install the inner and outer locking collar. (As the picture: E-G)
4. Insert the lock cylinder. Make the key and knob run smoothly. Fix the screws. Install the gusset plate and gusset box, make them parallel to the lock and match the lock tongue. Fix the screws. (As the picture: H)



提示: 为保护产品外观和功能, 安装门锁前请将手洗净或带上干净的布料类作业手套。装修门扇时, 特别是门扇如漆上油漆, 请将已装好的门锁卸下, 待装修完毕后再装上。  
Attention: In order to protect the lock's surface and function, please wash your hands or wear working gloves when install it. If decorated doors, please take off the lock first, after that, put on it again.

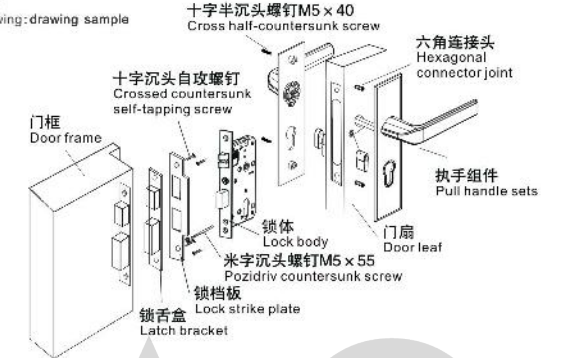


HD-67825 房门锁 PVD金  
Room Door Lock (PVD Gold)

PVD Gold

产品属性 Product Features	
表面处理: PVD金 Finish: PVD Gold	钥匙: 5条带蛇形槽防盗钥匙 Keys: 5 with snake-like groove anti-theft key
锁把手材质: SUS304不锈钢 Lever material: Stainless Steel SUS304	锁面板中心孔距: 62mm Keys: 62mm
锁面板材质: SUS304 Lock strike plate material: Stainless Steel SUS304	适合门厚: 40-55mm Available door thickness: 40-55mm
锁体: HD-62-50E Lock body: HD-62-50E	适合范围: 各种木质门扇 Available for: All kinds of wooden door leaves
锁芯: HD-85-65B Lock Cylinder: HD-85-65B	特点: 互开率低噪音小、开启轻巧灵活。 Features: Low interopening; Silent and easy opening

产品结构图:图例  
Product Structure drawing: drawing sample

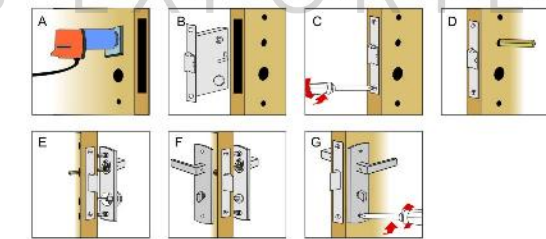


日式锁安装步骤:

1. 确保斜舌斜面与关门方向一致, 根据安装线画线开孔(如下图: A)。
2. 将锁体放入孔; 预紧衬板螺钉; 将方杆穿过门板插入锁体(如下图: B-D)。
3. 安装内外面板, 预紧面板螺钉使钥匙及旋钮转动顺畅(如下图: E)。
4. 将执手套入方杆, 使把手转动顺畅(如下图: F)。
5. 预紧执手螺钉, 安装扣板及扣盒, 对齐锁体, 应使锁舌与之配合顺畅, 拧紧螺钉(如下图: G)。

Japanese style lock Installation steps:

1. Make sure the incline of the tongue go with the closing direction. Draw lines and make holes according to the installation specification. (As the picture: A)
2. Place the lock into the hole. Pre-fix the screws of the back veneer. Insert the square bar through the door and into the lock. (As the picture: B-D)
3. Install the inner and outer plates. Pre-fix the screw of inner plates, making the key and knob run smoothly. (As the picture: E)
4. Insert the handle, making handle run smoothly. (As the picture: F)
5. Pre-fix the screw of handle. Install the gusset plate and gusset box, make them parallel to the lock and match the lock tongue. Fix the screws. (As the picture: G)



普罗系列 Prometheus Series

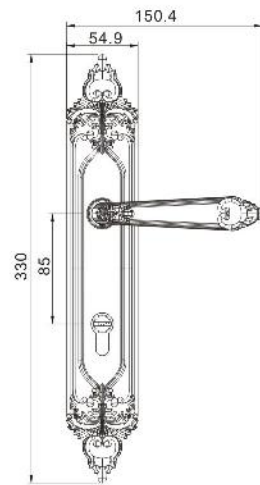


2

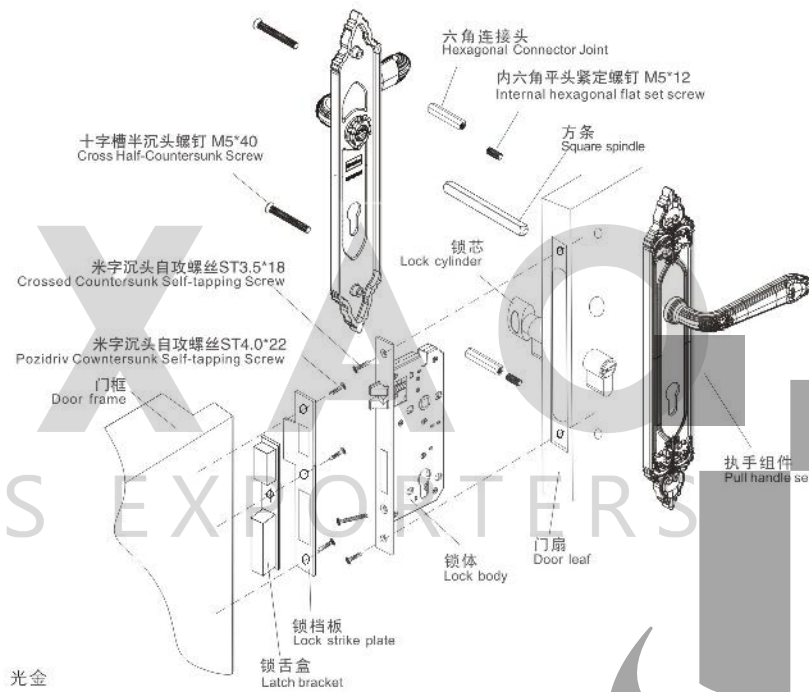
TWO 仁德门业  
Lock Hardware  
米兰世界博览会品牌战略合作伙伴  
STRATEGIC PARTNER OF EXPO2015 MILANO



HD-68701 古典铜大门锁 光金  
Gate Door Lock (GP)  
(专利号: 201330643444.3)



产品结构图:图例  
Product Structure drawing:drawing sample



产品属性 Product Features	
表面处理: 光金 Finish: GP	锁芯: S-坑、蛇槽5条黄铜匙 Keys: 5 lines of "S" type pits solid brass key
执手材质: 铜 Lever material: Brass	锁面中心孔距: 246mm Central hole distance of face plate: 246mm
锁面板材质: 铜 Lock strike plate material: Brass	适合门厚: 38-52mm Available door thickness: 38-52mm
锁体: HD-85-50E 独特斜活舌设计 Lock Distance: a unique slating tongue design	适合范围: 各种木质门扇 Available for: All kinds of wooden door leaves
锁芯: HD-85-76B 高精度蛇槽锁芯 Lock Cylinder: High security with bending slot	特点: 互开率低 Features: Low interopening

大门锁安装步骤:

1. 确保斜舌斜面与关门方向一致, 当需要调整锁体开门方向时, 向上拨开斜舌换向片, 将斜舌推入锁体后, 旋转180°, 根据安装纸画线开孔(如下图: A)。
2. 将锁体放入孔; 预紧衬板螺钉(如下图: B-C)。
3. 将方杆穿过门板插入锁体(如下图: D)。
4. 安装内外面板, 使把手转动顺畅; 拧紧螺钉(如下图: E-F)。
5. 插入锁芯, 使钥匙及旋钮转动顺畅(如下图: G)。
6. 拧紧螺钉, 安装扣板及扣盒, 对齐锁体, 应使锁舌与之配合顺畅, 拧紧螺钉(如下图: H)。

Gate lock installation steps:

1. Make sure the incline of the tongue go with the closing direction. When it is necessary to adjust the opening direction of the lock, remove the commutator bar of the inclined tongue, and push the tongue into the lock, rotate 180°. Draw lines and make holes according to the installation specification. (As the picture: A)
2. Place the lock into the hole. Pre-fix the screws of the back veneer. (As the picture: B-C)
3. Insert the square bar through the door and into the lock. (As the picture: D)
4. Install the inner and outer plates, making handle run smoothly. Screw down the screws. (As the picture: E-F)
5. Insert the lock cylinder, making the key and knob run smoothly. (As the picture: G)
6. Screw down the screws, install the gusset plate and gusset box, make them parallel to the lock and match the lock tongue. Fix the screws. (As the picture: H)



提示: 为保护产品外观和功能, 安装门锁前请将手洗净或戴上干净的布料类作业手套。装饰门面时, 特别是门面如贴油漆, 请将已装好的门锁卸下, 待装修完毕后再装上。  
Attention: In order to protect the lock's surface and function, please wash your hands or wear working gloves when install it. If decorated doors, please take off the lock first, after that, put on it again.

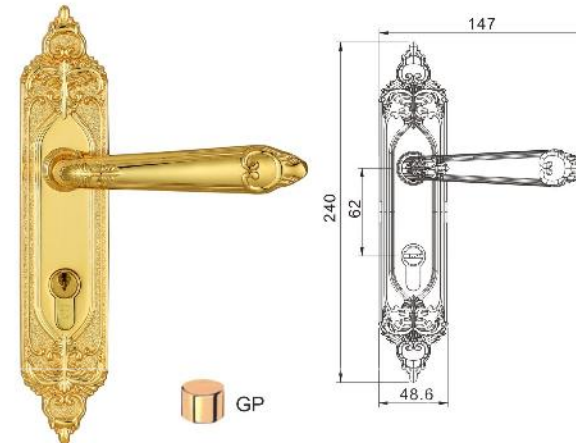
汇泰龙保留在不影响产品使用功能、质量的前提下, 适当改动产品尺寸、外型而不另行通知的权利; 本册所有产品颜色、尺寸误差请以实物为准。

普罗系列 Prometheus Series



2

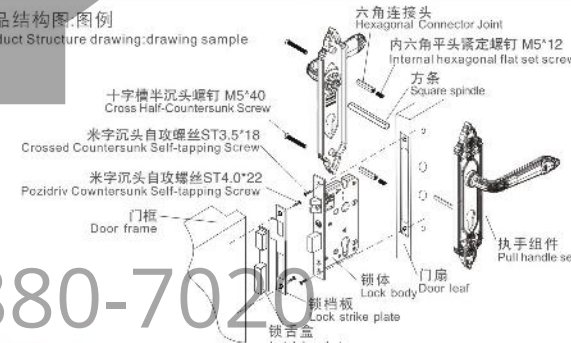
TWO 仁德门业  
Lock Hardware  
米兰世界博览会品牌战略合作伙伴  
STRATEGIC PARTNER OF EXPO2015 MILANO



HD-68705 古典铜房门锁 光金  
Room Door Lock (GP)

产品属性 Product Features	
表面处理: 光金 Finish: GP	锁面中心孔距: 170mm Central hole distance of face plate: 170mm
执手材质: 铜 Lever material: Brass	锁芯: 5条S-坑、蛇槽黄铜匙 Keys: 5 lines of "S" type pits solid brass key
锁面板材质: 铜 Lock strike plate material: Brass	适合门厚: 38-52mm Available door thickness: 38-52mm
锁体: HD-62-50E 锁体 Lock Distance: HD-62-50E	适合范围: 各种木质门扇 Available for: All kinds of wooden door leaves
锁芯: HD-85-76B 高精度蛇槽锁芯 Lock Cylinder: High security with bending slot	特点: 互开率低 Features: Low interopening

产品结构图:图例  
Product Structure drawing:drawing sample

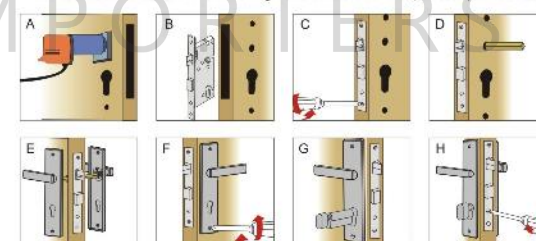


房门锁安装步骤:

1. 确保斜舌斜面与关门方向一致, 当需要调整锁体开门方向时, 向上拨开斜舌换向片, 将斜舌推入锁体后, 旋转180°, 根据安装纸画线开孔(如下图: A)。
2. 将锁体放入孔; 预紧衬板螺钉(如下图: B-C)。
3. 将方杆穿过门板插入锁体(如下图: D)。
4. 安装内外面板, 使把手转动顺畅; 拧紧螺钉(如下图: E-F)。
5. 插入锁芯, 使钥匙及旋钮转动顺畅(如下图: G)。
6. 拧紧螺钉, 安装扣板及扣盒, 对齐锁体, 应使锁舌与之配合顺畅, 拧紧螺钉(如下图: H)。

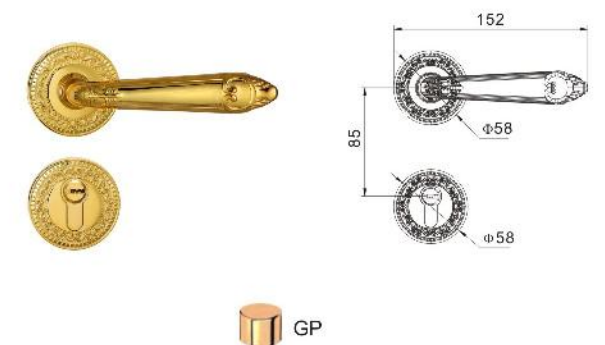
Room lock installation steps:

1. Make sure the incline of the tongue go with the closing direction. When it is necessary to adjust the opening direction of the lock, remove the commutator bar of the inclined tongue, and push the tongue into the lock, rotate 180°. Draw lines and make holes according to the installation specification. (As the picture: A)
2. Place the lock into the hole. Pre-fix the screws of the back veneer. (As the picture: B-C)
3. Insert the square bar through the door and into the lock. (As the picture: D)
4. Install the inner and outer plates, making handle run smoothly. Screw down the screws. (As the picture: E-F)
5. Insert the lock cylinder, making the key and knob run smoothly. (As the picture: G)
6. Screw down the screws, install the gusset plate and gusset box, make them parallel to the lock and match the lock tongue. Fix the screws. (As the picture: H)



提示: 为保护产品外观和功能, 安装门锁前请将手洗净或戴上干净的布料类作业手套。装饰门面时, 特别是门面如贴油漆, 请将已装好的门锁卸下, 待装修完毕后再装上。  
Attention: In order to protect the lock's surface and function, please wash your hands or wear working gloves when install it. If decorated doors, please take off the lock first, after that, put on it again.

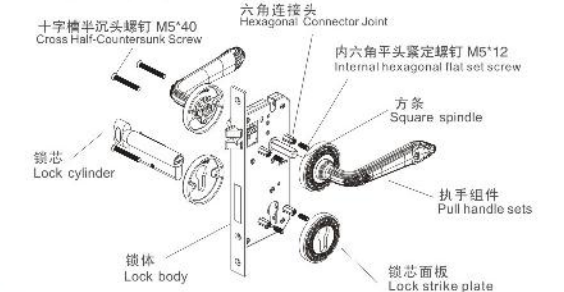
了解更多详细资料, 请登陆汇泰龙国际互联网: www.hutlon.com



HD-68702 古典铜分体锁 光金 (专利号: 201430085330.6)  
Separator-Lock (GP)

产品属性 Product Features	
表面处理: 光金 Finish: GP	锁芯: 5条S-坑、蛇槽黄铜匙 Keys: 5 lines of "S" type pits solid brass key
执手材质: 铜 Lever material: Brass	锁面中心孔距: 170mm Central hole distance of face plate: 170mm
锁面板材质: 铜 Lock strike plate material: Brass	适合门厚: 38-52mm Available door thickness: 38-52mm
锁体: HD-85-50E 独特斜活舌设计 Lock Distance: a unique slating tongue design	适合范围: 各种木质门扇 Available for: All kinds of wooden door leaves
锁芯: HD-85-76B 高精度蛇槽锁芯 Lock Cylinder: High security with bending slot	特点: 互开率低 Features: Low interopening

产品结构图:图例  
Product Structure drawing:drawing sample

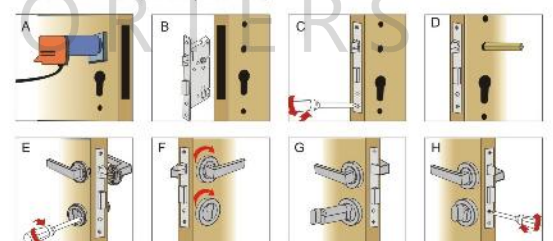


分体锁安装步骤:

1. 确保斜舌斜面与关门方向一致, 当需要调整锁体开门方向时, 向上拨开斜舌换向片, 将斜舌推入锁体后, 旋转180°, 根据安装纸画线开孔(如下图: A)。
2. 将锁体放入孔; 预紧衬板螺钉, 分别从锁圈和执手圈上折出外盖; 将方杆穿过门板插入锁体(如下图: B-D)。
3. 安装内外执手圈, 使把手转动顺畅; 拧紧螺钉, 安装内外锁圈, 插入锁芯(如下图: E-G)。
4. 使锁圈及旋钮转动顺畅, 拧紧螺钉, 安装扣板及扣盒, 对齐锁体, 应使锁舌与之配合顺畅, 拧紧螺钉(如下图: H)。

Separator-lock installation steps:

1. Make sure the incline of the tongue go with the closing direction. When it is necessary to adjust the opening direction of the lock, remove the commutator bar of the inclined tongue, and push the tongue into the lock, rotate 180°. Draw lines and make holes according to the installation specification. (As the picture: A)
2. Place the lock into the hole. Pre-fix the screws of the back veneer. Remove the cover from the locking collar and handle collar. Insert the square bar through the door and into the lock. (As the picture: B-D)
3. Install the inner and outer parts of the handle collar. Make the handle run smoothly, and fix the screws. Install the inner and outer locking collar. (As the picture: E-G)
4. Insert the lock cylinder. Make the key and knob run smoothly. Fix the screws. Install the gusset plate and gusset box, make them parallel to the lock and match the lock tongue. Fix the screws. (As the picture: H)



提示: 为保护产品外观和功能, 安装门锁前请将手洗净或戴上干净的布料类作业手套。装饰门面时, 特别是门面如贴油漆, 请将已装好的门锁卸下, 待装修完毕后再装上。  
Attention: In order to protect the lock's surface and function, please wash your hands or wear working gloves when install it. If decorated doors, please take off the lock first, after that, put on it again.

普罗系列 Prometheus Series



普罗系列 Prometheus Series



2

TWO 仁德门业  
Lock Hardware  
米兰世界博览会品牌战略合作伙伴  
STRATEGIC PARTNER OF EXPO2015 MILANO

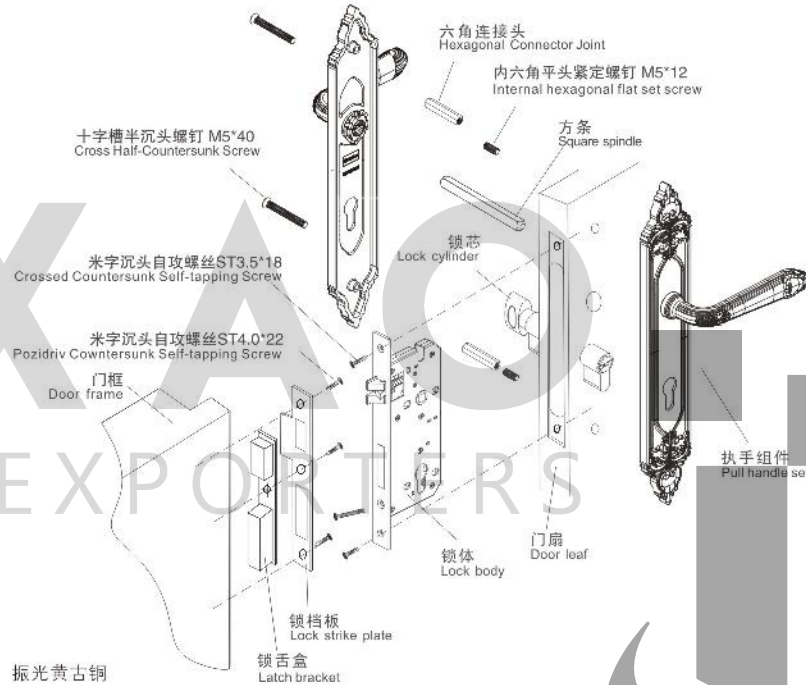
2

TWO 仁德门业  
Lock Hardware  
米兰世界博览会品牌战略合作伙伴  
STRATEGIC PARTNER OF EXPO2015 MILANO



HD-68701 古典铜大门锁 振光黄古铜  
Gate Door Lock (PLYB)  
(专利号: 201330643444.3)

产品结构图:图例  
Product Structure drawing:drawing sample



PLYB

产品属性	Product Features
表面处理: 振光黄古铜 Finish: PLYB	锁芯: S-坑、蛇槽5条黄铜匙 Keys: 5 lines of "S" type pits solid brass key
锁把手材质: 铜 Lever material: Brass	锁面板中心孔距: 246mm Central hole distance of face plate: 246mm
锁面板材质: 铜 Lock strike plate material: Brass	适合门厚: 38-52mm Available door thickness: 38-52mm
锁体: HD-85-50E 独特新活舌设计 Lock Distance: a unique slating tongue design	适合范围: 各种木质门扇 Available for: All kinds of wooden door leaves
锁芯: HD-85-76B 高精度蛇槽锁芯 Lock Cylinder: High security with bending slot	特点: 互开率低 Features: Low interopening

大门锁安装步骤:

1. 确保斜舌斜面与关门方向一致, 当需要调整锁体开门方向时, 向上拨开斜舌换向片, 将斜舌推进锁体后, 旋转180°, 根据安装纸画线开孔(如下图: A)。
2. 将锁体放入孔; 预紧衬板螺钉(如下图: B-C)。
3. 将方杆穿过门板插入锁体(如下图: D)。
4. 安装内外面板, 使把手转动顺畅; 拧紧螺钉(如下图: E-F)。
5. 插入锁芯, 使钥匙及旋钮转动顺畅(如下图: G)。
6. 拧紧螺钉, 安装扣板及扣盒, 对齐锁体, 应使锁舌与之配合顺畅, 拧紧螺钉(如下图: H)。

Gate lock installation steps:

1. Make sure the incline of the tongue go with the closing direction. When it is necessary to adjust the opening direction of the lock, remove the commutator bar of the inclined tongue, and push the tongue into the lock, rotate 180°. Draw lines and make holes according to the installation specification. (As the picture: A)
2. Place the lock into the hole. Pre-fix the screws of the back veneer. (As the picture: B-C)
3. Insert the square bar through the door and into the lock. (As the picture: D)
4. Install the inner and outer plates, making handle run smoothly. (As the picture: E-F)
5. Insert the lock cylinder, making the key and knob run smoothly. (As the picture: G)
6. Screw down the screws, install the gusset plate and gusset box, make them parallel to the lock and match the lock tongue. Fix the screws. (As the picture: H)

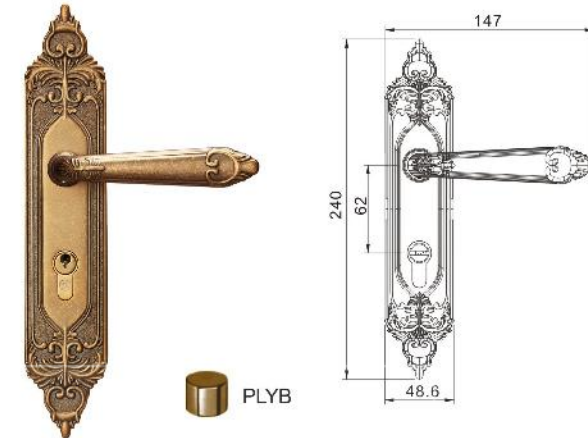


欧式古典神话—普罗  
传承使命 传递美好愿望

普罗米修斯, 盗取天国的火种为人类带来了文明, 汇聚龙又有铜古典锁, 将古典艺术的古老使命, 传递到现代生活, 给每家每户带来古典的品味, 给生活带来更多美好的愿望。

提示: 为保护产品外观和功能, 安装门锁前请将手洗净或戴上干净的布料类作业手套。装饰门面时, 特别是门面如漆上油漆, 请将已装好的门锁卸下, 待装修完毕后再装上。  
Attention: In order to protect the lock's surface and function, please wash your hands or wear working gloves when install it. If decorated doors, please take off the lock first, after that, put on it again.

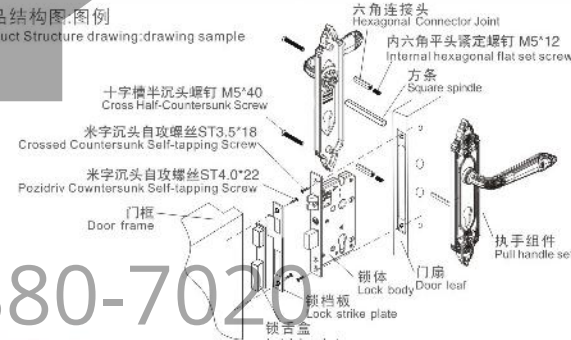
汇泰龙保留在不影响产品使用功能、质量的前提下, 适当改动产品尺寸、外型而不另行通知的权利; 本册所有产品颜色、尺寸误差请以实物为准。



HD-68705 古典铜房门锁 振光黄古铜  
Room Door Lock (PLYB)

产品属性	Product Features
表面处理: 振光黄古铜 Finish: PLYB	锁面板中心孔距: 170mm Central hole distance of face plate: 170mm
锁把手材质: 铜 Lever material: Brass	锁匙: 5条S坑、蛇槽黄铜匙 Keys: 5 lines of "S" type pits solid brass key
锁面板材质: 铜 Lock strike plate material: Brass	适合门厚: 38-52mm Available door thickness: 38-52mm
锁体: HD-62-50E 锁体 Lock Distance: HD-62-50E	适合范围: 各种木质门扇 Available for: All kinds of wooden door leaves
锁芯: HD-85-76B 高精度蛇槽锁芯 Lock Cylinder: High security with bending slot	特点: 互开率低 Features: Low interopening

产品结构图:图例  
Product Structure drawing:drawing sample

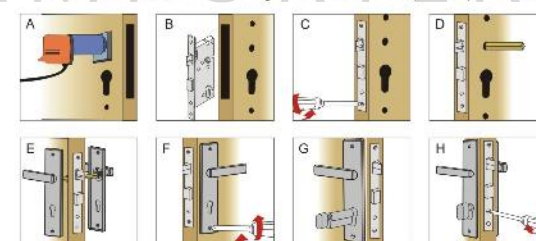


房门锁安装步骤:

1. 确保斜舌斜面与关门方向一致, 当需要调整锁体开门方向时, 向上拨开斜舌换向片, 将斜舌推进锁体后, 旋转180°, 根据安装纸画线开孔(如下图: A)。
2. 将锁体放入孔; 预紧衬板螺钉(如下图: B-C)。
3. 将方杆穿过门板插入锁体(如下图: D)。
4. 安装内外面板, 使把手转动顺畅; 拧紧螺钉(如下图: E-F)。
5. 插入锁芯, 使钥匙及旋钮转动顺畅(如下图: G)。
6. 拧紧螺钉, 安装扣板及扣盒, 对齐锁体, 应使锁舌与之配合顺畅, 拧紧螺钉(如下图: H)。

Room lock installation steps:

1. Make sure the incline of the tongue go with the closing direction. When it is necessary to adjust the opening direction of the lock, remove the commutator bar of the inclined tongue, and push the tongue into the lock, rotate 180°. Draw lines and make holes according to the installation specification. (As the picture: A)
2. Place the lock into the hole. Pre-fix the screws of the back veneer. (As the picture: B-C)
3. Insert the square bar through the door and into the lock. (As the picture: D)
4. Install the inner and outer plates, making handle run smoothly. (As the picture: E-F)
5. Insert the lock cylinder, making the key and knob run smoothly. (As the picture: G)
6. Screw down the screws, install the gusset plate and gusset box, make them parallel to the lock and match the lock tongue. Fix the screws. (As the picture: H)



提示: 为保护产品外观和功能, 安装门锁前请将手洗净或戴上干净的布料类作业手套。装饰门面时, 特别是门面如漆上油漆, 请将已装好的门锁卸下, 待装修完毕后再装上。  
Attention: In order to protect the lock's surface and function, please wash your hands or wear working gloves when install it. If decorated doors, please take off the lock first, after that, put on it again.

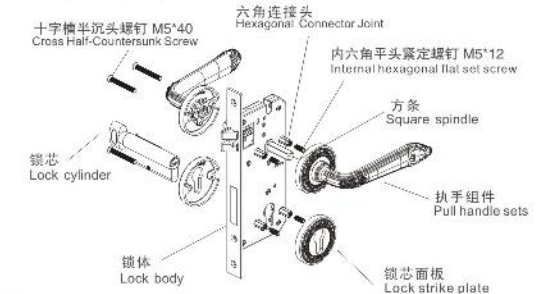
欲了解更多详细资料, 请登陆汇泰龙国际互联网: www.hutlon.com



HD-68702 古典铜分体锁 振光黄古铜 (专利号: 201430085330.6)  
Separator-Lock (PLYB)

产品属性	Product Features
表面处理: 振光黄古铜 Finish: PLYB	锁芯: 5条S坑、蛇槽黄铜匙 Keys: 5 lines of "S" type pits solid brass key
锁把手材质: 铜 Lever material: Brass	锁匙: 5条S坑、蛇槽黄铜匙 Keys: 5 lines of "S" type pits solid brass key
锁面板材质: 铜 Lock strike plate material: Brass	适合门厚: 38-52mm Available door thickness: 38-52mm
锁体: HD-85-50E Lock Distance: a unique slating tongue design	适合范围: 各种木质门扇 Available for: All kinds of wooden door leaves
锁芯: HD-85-76B 高精度蛇槽锁芯 Lock Cylinder: High security with bending slot	特点: 互开率低 Features: Low interopening

产品结构图:图例  
Product Structure drawing:drawing sample

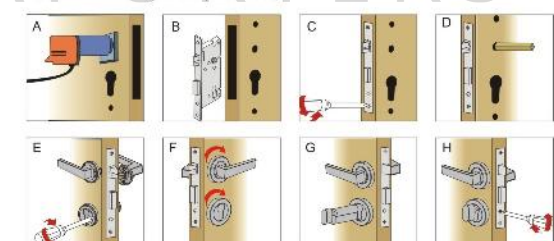


分体锁安装步骤:

1. 确保斜舌斜面与关门方向一致, 当需要调整锁体开门方向时, 向上拨开斜舌换向片, 将斜舌推进锁体后, 旋转180°, 根据安装纸画线开孔(如下图: A)。
2. 将锁体放入孔; 预紧衬板螺钉, 分别从锁体和把手圈上折出外盖; 将方杆穿过门板插入锁体(如下图: B-D)。
3. 安装内外把手圈, 使把手转动顺畅; 拧紧螺钉, 安装内外锁圈, 插入锁芯(如下图: E-G)。
4. 使钥匙及旋钮转动顺畅; 拧紧螺钉, 安装扣板及扣盒, 对齐锁体, 应使锁舌与之配合顺畅, 拧紧螺钉(如下图: H)。

Separator-lock installation steps:

1. Make sure the incline of the tongue go with the closing direction. When it is necessary to adjust the opening direction of the lock, remove the commutator bar of the inclined tongue, and push the tongue into the lock, rotate 180°. Draw lines and make holes according to the installation specification. (As the picture: A)
2. Place the lock into the hole. Pre-fix the screws of the back veneer. Remove the cover from the locking collar and handle collar. Insert the square bar through the door and into the lock. (As the picture: B-D)
3. Install the inner and outer parts of the handle collar. Make the handle run smoothly, and fix the screws, install the inner and outer locking collar. (As the picture: E-G)
4. Insert the lock cylinder. Make the key and knob run smoothly. Fix the screws. Install the gusset plate and gusset box, make them parallel to the lock and match the lock tongue. Fix the screws. (As the picture: H)



普罗系列 Prometheus Series



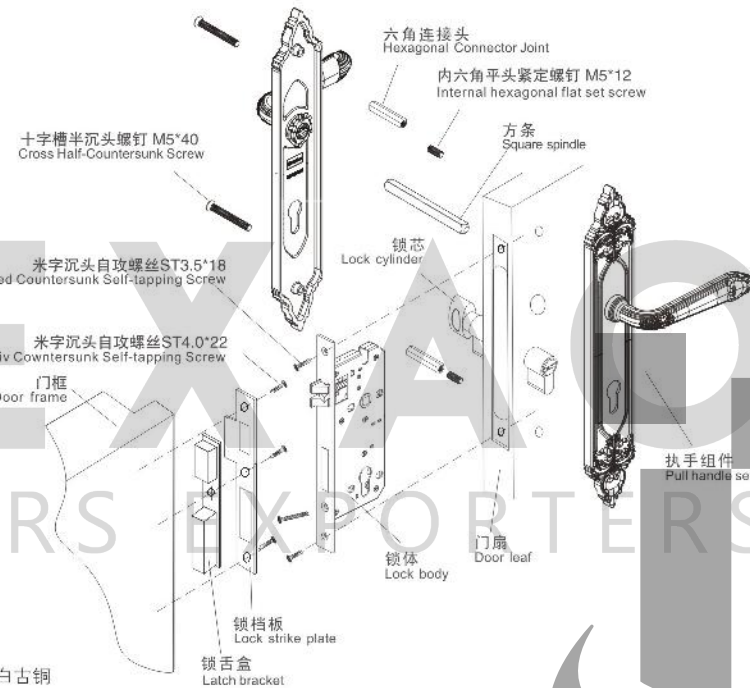
2

TWO 仁德五金  
Lock Hardware  
米兰世界博览会品牌战略合作伙伴  
STRATEGIC PARTNER OF EXPO2015 MILANO



HD-68701 古典铜大门锁 振光白古铜  
Gate Door Lock (PLWB)  
(专利号: 201330643444.3)

产品结构图:图例  
Product Structure drawing:drawing sample



PLWB

产品属性 Product Features	
表面处理: 振光白古铜 Finish: PLWB	锁芯: S-坑、蛇槽5条黄铜制 Keys: 5 lines of "S" type pits solid brass key
锁把手材质: 铜 Lever material: Brass	锁面板中心孔距: 246mm Central hole distance of face plate: 246mm
锁面板材质: 铜 Lock strike plate material: Brass	适合门厚: 38-52mm Available door thickness: 38-52mm
锁体: HD-85-50E 独特斜舌活舌设计 Lock Distance: a unique slating tongue design	适合范围: 各种木质门扇 Available for: All kinds of wooden door leaves
锁芯: HD-85-76B 高精度蛇槽锁芯 Lock Cylinder: High security with bending slot	特点: 互开率低 Features: Low interopening

大门锁安装步骤:

1. 确保斜舌斜面与关门方向一致, 当需要调整锁体开门方向时, 向上拨开斜舌换向片, 将斜舌推入锁体后, 旋转180°, 根据安装纸规画线开孔(如下图: A)。
2. 将锁体放入孔; 预紧衬板螺钉(如下图: B-C)。
3. 将方杆穿过门板插入锁体(如下图: D)。
4. 安装内外面板, 使把手转动顺畅; 拧紧螺钉(如下图: E-F)。
5. 插入锁芯, 使钥匙及旋钮转动顺畅(如下图: G)。
6. 拧紧螺钉, 安装扣板及扣盒, 对齐锁体, 应使锁舌与之配合顺畅, 拧紧螺钉(如下图: H)。

Gate lock installation steps:

1. Make sure the incline of the tongue go with the closing direction. When it is necessary to adjust the opening direction of the lock, remove the commutator bar of the inclined tongue, and push the tongue into the lock, rotate 180°. Draw lines and make holes according to the installation specification. (As the picture: A)
2. Place the lock into the hole. Pre-fix the screws of the back veneer. (As the picture: B-C)
3. Insert the square bar through the door and into the lock. (As the picture: D)
4. Install the inner and outer plates, making handle run smoothly. Screw down the screws. (As the picture: E-F)
5. Insert the lock cylinder, making the key and knob run smoothly. (As the picture: G)
6. Screw down the screws, install the gusset plate and gusset box, make them parallel to the lock and match the lock tongue. Fix the screws. (As the picture: H)



欧式古典神话—普罗  
传承使命 传递美好愿望

普罗米修斯, 盗取天国的火种为人类带来了文明, 汇聚龙又有铜古典锁, 将古典艺术的古老使命, 传递到现代生活的每一个角落, 传递家的美好, 传递家的美好, 给予生活更多美好的愿望。

提示: 为保护产品外观和功能, 安装门锁前请将手洗净或戴上干净的布料类作业手套。装饰门面时, 特别是门面如漆上油漆, 请将已装好的门锁卸下, 待装修完毕后再装上。  
Attention: In order to protect the lock's surface and function, please wash your hands or wear working gloves when install it. If decorated doors, please take off the lock first, after that, put on it again.

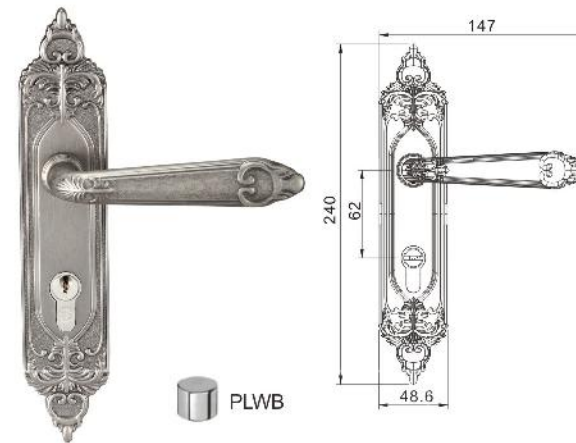
汇泰龙保留在不影响产品使用功能、质量的前提下, 适当改动产品尺寸、外型而不另行通知的权利; 本册所有产品颜色、尺寸误差请以实物为准。

普罗系列 Prometheus Series



2

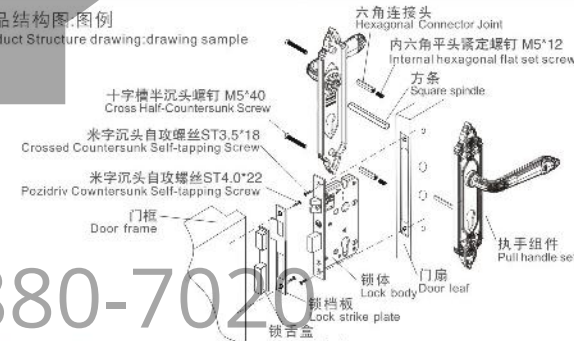
TWO 仁德五金  
Lock Hardware  
米兰世界博览会品牌战略合作伙伴  
STRATEGIC PARTNER OF EXPO2015 MILANO



HD-68705 古典铜房门锁 振光白古铜  
Room Door Lock (PLWB)

产品属性 Product Features	
表面处理: 振光白古铜 Finish: PLWB	锁面板中心孔距: 170mm Central hole distance of face plate: 170mm
锁把手材质: 铜 Lever material: Brass	钥匙: 5条S坑、蛇槽黄铜制 Keys: 5 lines of "S" type pits solid brass key
锁面板材质: 铜 Lock strike plate material: Brass	适合门厚: 38-52mm Available door thickness: 38-52mm
锁体: HD-62-50E 锁体 Lock Distance: HD-62-50E	适合范围: 各种木质门扇 Available for: All kinds of wooden door leaves
锁芯: HD-85-76B 高精度蛇槽锁芯 Lock Cylinder: High security with bending slot	特点: 互开率低 Features: Low interopening

产品结构图:图例  
Product Structure drawing:drawing sample

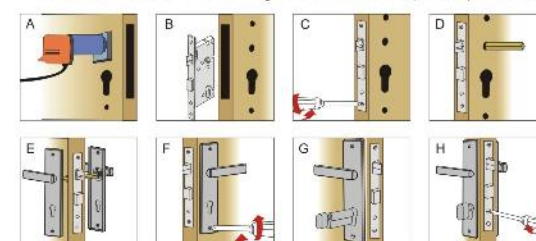


房门锁安装步骤:

1. 确保斜舌斜面与关门方向一致, 当需要调整锁体开门方向时, 向上拨开斜舌换向片, 将斜舌推入锁体后, 旋转180°, 根据安装纸规画线开孔(如下图: A)。
2. 将锁体放入孔; 预紧衬板螺钉(如下图: B-C)。
3. 将方杆穿过门板插入锁体(如下图: D)。
4. 安装内外面板, 使把手转动顺畅; 拧紧螺钉(如下图: E-F)。
5. 插入锁芯, 使钥匙及旋钮转动顺畅(如下图: G)。
6. 拧紧螺钉, 安装扣板及扣盒, 对齐锁体, 应使锁舌与之配合顺畅, 拧紧螺钉(如下图: H)。

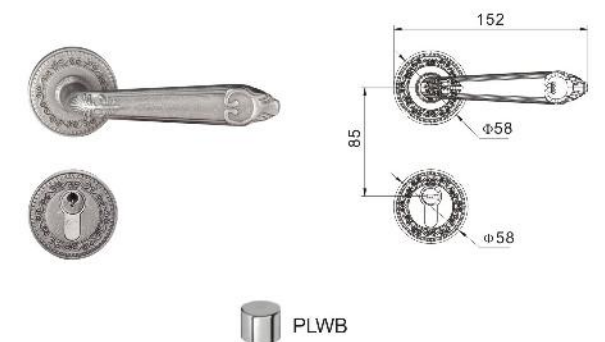
Room lock installation steps:

1. Make sure the incline of the tongue go with the closing direction. When it is necessary to adjust the opening direction of the lock, remove the commutator bar of the inclined tongue, and push the tongue into the lock, rotate 180°. Draw lines and make holes according to the installation specification. (As the picture: A)
2. Place the lock into the hole. Pre-fix the screws of the back veneer. (As the picture: B-C)
3. Insert the square bar through the door and into the lock. (As the picture: D)
4. Install the inner and outer plates, making handle run smoothly. Screw down the screws. (As the picture: E-F)
5. Insert the lock cylinder, making the key and knob run smoothly. (As the picture: G)
6. Screw down the screws, install the gusset plate and gusset box, make them parallel to the lock and match the lock tongue. Fix the screws. (As the picture: H)



提示: 为保护产品外观和功能, 安装门锁前请将手洗净或戴上干净的布料类作业手套。装饰门面时, 特别是门面如漆上油漆, 请将已装好的门锁卸下, 待装修完毕后再装上。  
Attention: In order to protect the lock's surface and function, please wash your hands or wear working gloves when install it. If decorated doors, please take off the lock first, after that, put on it again.

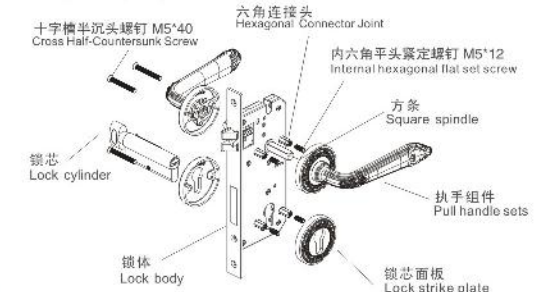
欲了解更多详细资料, 请登陆汇泰龙国际互联网: www.hutlon.com



HD-68702 古典铜分体锁 振光白古铜 (专利号: 201430085330.6)  
Separator-Lock (PLWB)

产品属性 Product Features	
表面处理: 振光白古铜 Finish: PLWB	锁芯: 5条S坑、蛇槽黄铜制 Keys: 5 lines of "S" type pits solid brass key
锁把手材质: 铜 Lever material: Brass	锁面板材质: 铜 Lock strike plate material: Brass
锁面板材质: 铜 Lock strike plate material: Brass	适合门厚: 38-52mm Available door thickness: 38-52mm
锁体: HD-85-50E 独特斜舌活舌设计 Lock Distance: a unique slating tongue design	适合范围: 各种木质门扇 Available for: All kinds of wooden door leaves
锁芯: HD-85-76B 高精度蛇槽锁芯 Lock Cylinder: High security with bending slot	特点: 互开率低 Features: Low interopening

产品结构图:图例  
Product Structure drawing:drawing sample

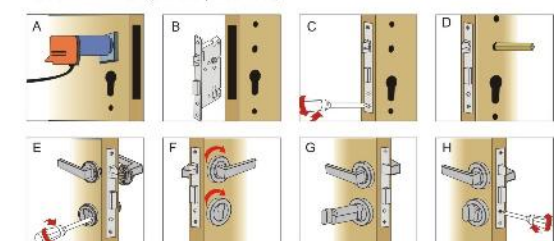


分体锁安装步骤:

1. 确保斜舌斜面与关门方向一致, 当需要调整锁体开门方向时, 向上拨开斜舌换向片, 将斜舌推入锁体后, 旋转180°, 根据安装纸规画线开孔(如下图: A)。
2. 将锁体放入孔; 预紧衬板螺钉, 分别从锁圈和把手圈上折出外盖; 将方杆穿过门板插入锁体(如下图: B-D)。
3. 安装内外把手圈, 使把手转动顺畅; 拧紧螺钉, 安装内外锁圈, 插入锁芯(如下图: E-G)。
4. 使钥匙及旋钮转动顺畅, 拧紧螺钉, 安装扣板及扣盒, 对齐锁体, 应使锁舌与之配合顺畅, 拧紧螺钉(如下图: H)。

Separator-lock installation steps:

1. Make sure the incline of the tongue go with the closing direction. When it is necessary to adjust the opening direction of the lock, remove the commutator bar of the inclined tongue, and push the tongue into the lock, rotate 180°. Draw lines and make holes according to the installation specification. (As the picture: A)
2. Place the lock into the hole. Pre-fix the screws of the back veneer. Remove the cover from the locking collar and handle collar. Insert the square bar through the door and into the lock. (As the picture: B-D)
3. Install the inner and outer parts of the handle collar. Make the handle run smoothly, and fix the screws. Install the inner and outer locking collar. (As the picture: E-G)
4. Insert the lock cylinder. Make the key and knob run smoothly. Fix the screws. Install the gusset plate and gusset box. Make them parallel to the lock and match the lock tongue. Fix the screws. (As the picture: H)



赫菲斯系列 Hephaistos Series



赫菲斯系列 Hephaistos Series

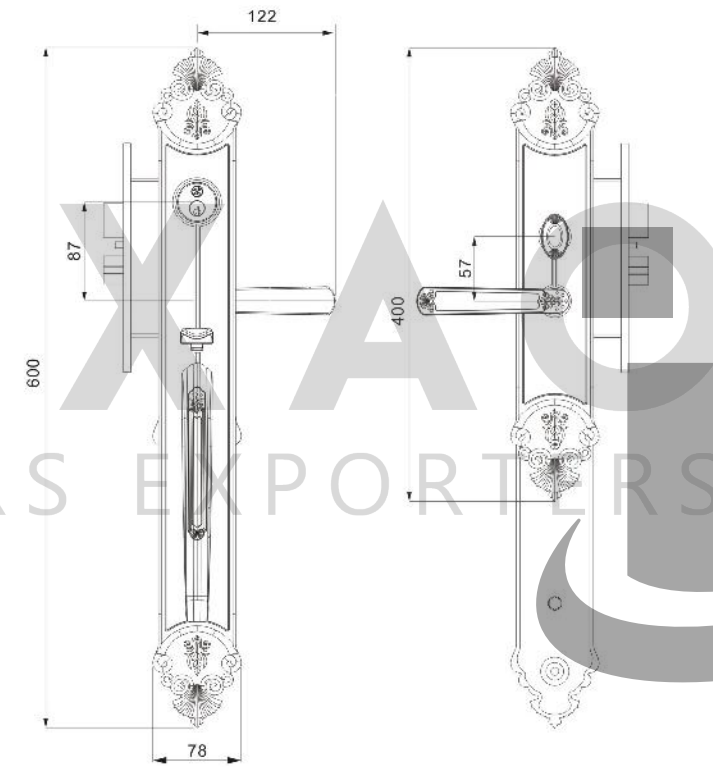


2

TWO 仁德门业  
Lock Hardware  
米兰世界博览会品牌战略合作伙伴  
STRATEGIC PARTNER OF EXPO2015 MILANO



产品尺寸图:  
Product size chart



GP PLYB

HD-68718 豪华古典铜大门锁 光金 振光黄古铜  
Pure Brass Deluxe Gate Door Lock (GP PLYB)

产品属性	Product Features
表面处理: 光金、振光黄古铜 Finish: GP PLYB	钥匙: 6条双排珠白铜钥匙 Keys: 6 pcs of double beads white brass keys
锁把手材质: 铜 Lever material: Brass	适合门厚: 45-60mm Available door thickness: 45-60mm
锁舌板材质: 铜 Lock strike plate material: Brass	适合范围: 各种木质门扇 Available for: All kinds of wooden door leaves
锁体: HD-87-65防撬双锁舌锁体 Lock Body: HD-87-65 Security double latch bolt and lock body	锁卡: 特设有配匙卡 key card/key card is provided
锁芯: HD-87-32-38 电脑双排10粒珠 Lock Cylinder: Computer double 10 beads	特点: 特别防撬、安全、高档、豪华 Features: special security, high class, deluxe
特别提示: 若此门锁安装在左开门门扇时, 请向本公司订购左开门锁体 Special Notice: If this lock is used in the left-opening door, please order the left-opening lock body from us specially	



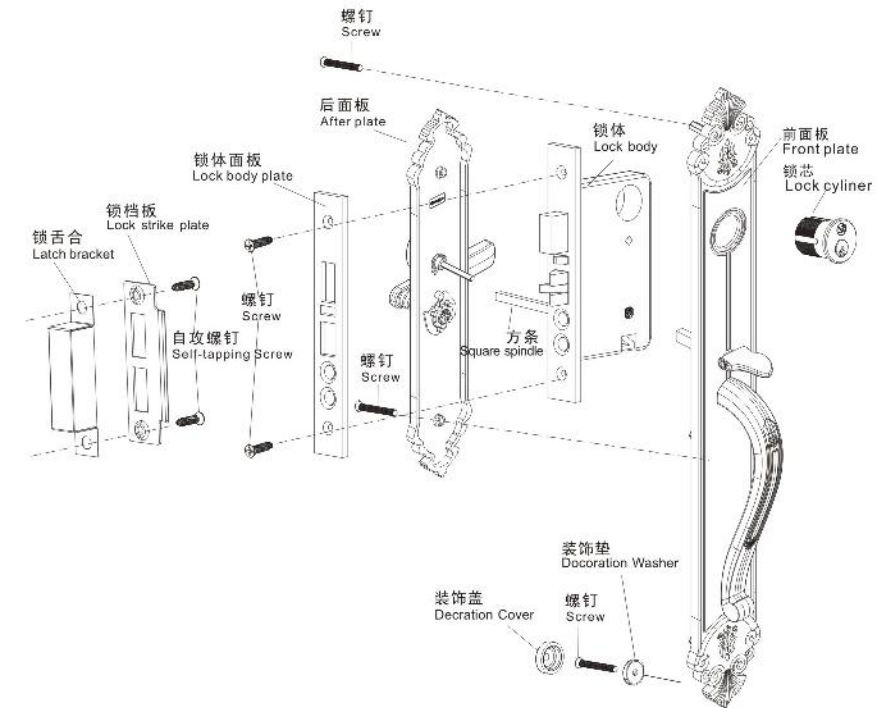
提示: 为保护产品外观和功能, 安装门锁前请将手洗净或戴上干净的布料类作业手套。装修门扇时, 特别是门扇如漆上油漆, 请将已装好的门锁卸下, 待装修完毕后再装上。  
Attention: In order to protect the lock's surface and function, please wash your hands or wear working gloves when install it. If decorated doors, please take off the lock first, after that, put on it again.

汇泰龙保留在不影响产品使用功能、质量的前提下, 适当改动产品尺寸、外型而不另行通知的权利; 本册所有产品颜色、尺寸误差请以实物为准。

2

TWO 仁德门业  
Lock Hardware  
米兰世界博览会品牌战略合作伙伴  
STRATEGIC PARTNER OF EXPO2015 MILANO

产品结构图: 图例  
Product Structure drawing: drawing sample

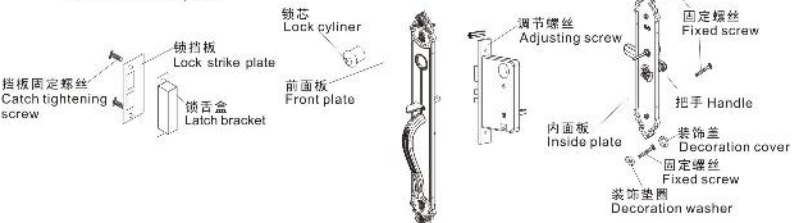


安装步骤:  
INSTALLATION STEPS:

1. 确定开门方向后, 剪下安装纸模, 并按照特定的高度定位在门上, 依照纸模上的定位点及所要求的尺寸在门上做好标记, 按标记在门厚中间凿槽, 从门面上钻孔。
2. 拧松锁体上的螺钉并移开后面板, 把锁体插入门槽后拧紧螺丝固定, 将圆头螺丝及垫圈从方轴上移走, 将方轴从后面板方向水平插入锁体方形孔及外部, 重新放入垫圈, 并且重新从外部上紧圆头螺丝。



3. 安装前面板, 退少许锁头调节螺钉。(以锁头能嵌入为准) 使锁头穿过前面板与锁体安装位置对准, 旋转头头进入, 旋紧螺钉。
4. 安装内面板, 用固定螺丝固定(方舌处于收回状态) 将固定螺丝穿过装饰垫圈打紧, 旋上装饰盖。
5. 转动把手, 使方舌伸出, 然后上紧锁体面板上螺丝, 安装锁舌板和锁舌套, 使锁具运动顺畅。



提示: 为保护产品外观和功能, 安装门锁前请将手洗净或戴上干净的布料类作业手套。装修门扇时, 特别是门扇如漆上油漆, 请将已装好的门锁卸下, 待装修完毕后再装上。  
Attention: In order to protect the lock's surface and function, please wash your hands or wear working gloves when install it. If decorated doors, please take off the lock first, after that, put on it again.

欲了解更多详细资料, 请登陆汇泰龙国际互联网: [www.hutlon.com](http://www.hutlon.com)



赫菲斯系列 Hephaistos Series

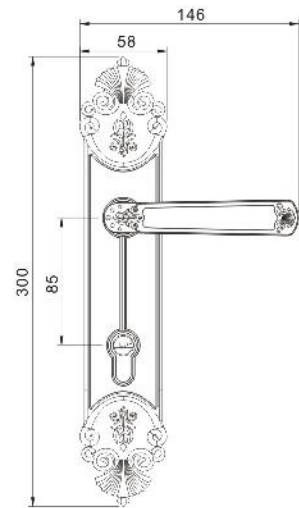


2

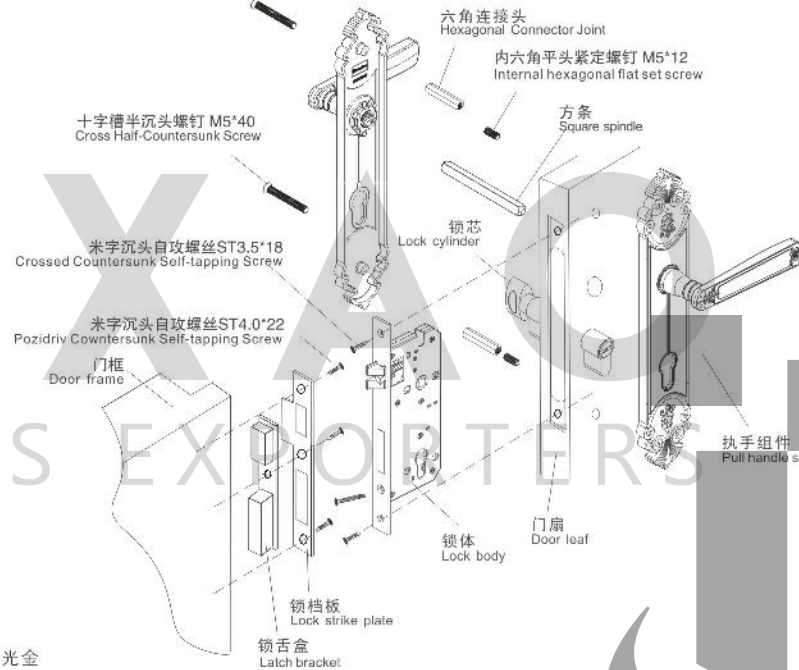
TWO 仁德门业  
Lock Hardware  
米兰世界博展金牌战略合作伙伴  
STRATEGIC PARTNER OF EXPO2015 MILANO



HD-68711 古典铜大门锁 光金  
Gate Door Lock (GP)  
(专利号: 201330644034.0)



产品结构图:图例  
Product Structure drawing: drawing sample



产品属性 Product Features	
表面处理: 光金 Finish: GP	锁芯: S坑、蛇槽5条黄铜匙 Keys: 5 lines of "s" type pits solid brass key
锁把手材质: 铜 Lever material: Brass	锁面板中心孔距: 220mm Central hole distance of face plate: 220mm
锁面板材质: 铜 Lock strike plate material: Brass	适合门厚: 38-52mm Available door thickness: 38-52mm
锁体: HD-85-50E 独特斜舌活舌设计 Lock Distance: a unique slating tongue design	适合范围: 各种木质门扇 Available for: All kinds of wooden door leaves
锁芯: HD-85-76B 高精度蛇槽锁芯 Lock Cylinder: High security with bending slot	特点: 互开率低 Features: Low interopening

大门锁安装步骤:

1. 确保斜舌斜面与关门方向一致, 当需要调整锁体开门方向时, 向上拨开斜舌换向片, 将斜舌推入锁体后, 旋转180°, 根据安装纸画线开孔(如下图: A)。
2. 将锁体放入孔; 预紧衬板螺钉(如下图: B-C)。
3. 将方杆穿过门板插入锁体(如下图: D)。
4. 安装内外面板, 使把手转动顺畅; 拧紧螺钉(如下图: E-F)。
5. 插入锁芯, 使钥匙及旋钮转动顺畅(如下图: G)。
6. 拧紧螺钉, 安装扣板及扣盒, 对齐锁体, 应使锁舌与之配合顺畅, 拧紧螺钉(如下图: H)。

Gate lock installation steps:

1. Make sure the incline of the tongue go with the closing direction. When it is necessary to adjust the opening direction of the lock, remove the commutator bar of the inclined tongue, and push the tongue into the lock, rotate 180°. Draw lines and make holes according to the installation specification. (As the picture: A)
2. Place the lock into the hole. Pre-fix the screws of the back veneer. (As the picture: B-C)
3. Insert the square bar through the door and into the lock. (As the picture: D)
4. Install the inner and outer plates, making handle run smoothly. Screw down the screws. (As the picture: E-F)
5. Insert the lock cylinder, making the key and knob run smoothly. (As the picture: G)
6. Screw down the screws, install the gusset plate and gusset box, make them parallel to the lock and match the lock tongue. Fix the screws. (As the picture: H)



欧式古典神话—赫菲斯  
千锤百炼 萃取古典艺术神韵

赫菲斯, 希腊神话中的火神与手工艺最高神的依仗之神, 汇聚及雕刻古典艺术, 汲取工匠精研技艺高深的精湛色彩, 采用先进的抛光表面处理技术, 历经千锤百炼, 成就无与争锋的古典艺术。

提示: 为保护产品外观和功能, 安装门锁前请将手洗净或戴上干净的布料类作业手套。装饰门面时, 特别是门面如贴上油漆, 请将已装好的门锁卸下, 待装修完毕后再次装上。  
Attention: In order to protect the lock's surface and function, please wash your hands or wear working gloves when install it. If decorated doors, please take off the lock first, after that, put on it again.

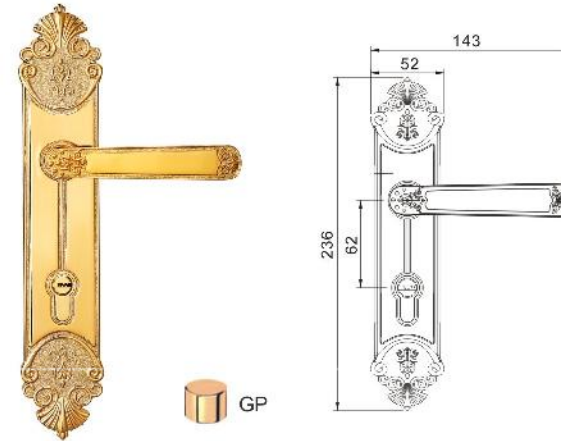
汇泰龙保留在不影响产品使用功能、质量的前提下, 适当改动产品尺寸、外型而不另行通知的权利; 本册所有产品颜色、尺寸误差请以实物为准。

赫菲斯系列 Hephaistos Series



2

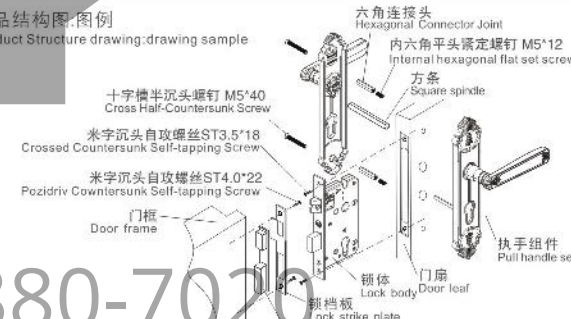
TWO 仁德门业  
Lock Hardware  
米兰世界博展金牌战略合作伙伴  
STRATEGIC PARTNER OF EXPO2015 MILANO



HD-68715 古典铜房门锁 光金  
Room Door Lock (GP)

产品属性 Product Features	
表面处理: 光金 Finish: GP	锁面板中心孔距: 184mm Central hole distance of face plate: 184mm
锁把手材质: 铜 Lever material: Brass	锁匙: S坑、蛇槽5条黄铜匙 Keys: 5 lines of "s" type pits solid brass key
锁面板材质: 铜 Lock strike plate material: Brass	适合门厚: 38-52mm Available door thickness: 38-52mm
锁体: HD-62-50E 锁体 Lock Distance: HD-62-50E	适合范围: 各种木质门扇 Available for: All kinds of wooden door leaves
锁芯: HD-85-76B 高精度蛇槽锁芯 Lock Cylinder: High security with bending slot	特点: 互开率低 Features: Low interopening

产品结构图:图例  
Product Structure drawing: drawing sample

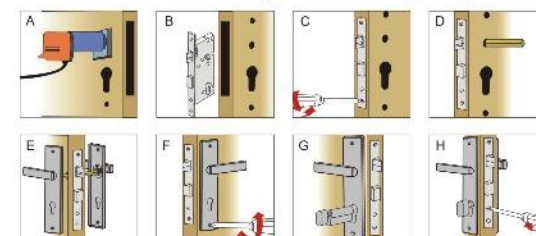


房门锁安装步骤:

1. 确保斜舌斜面与关门方向一致, 当需要调整锁体开门方向时, 向上拨开斜舌换向片, 将斜舌推入锁体后, 旋转180°, 根据安装纸画线开孔(如下图: A)。
2. 将锁体放入孔; 预紧衬板螺钉(如下图: B-C)。
3. 将方杆穿过门板插入锁体(如下图: D)。
4. 安装内外面板, 使把手转动顺畅; 拧紧螺钉(如下图: E-F)。
5. 插入锁芯, 使钥匙及旋钮转动顺畅(如下图: G)。
6. 拧紧螺钉, 安装扣板及扣盒, 对齐锁体, 应使锁舌与之配合顺畅, 拧紧螺钉(如下图: H)。

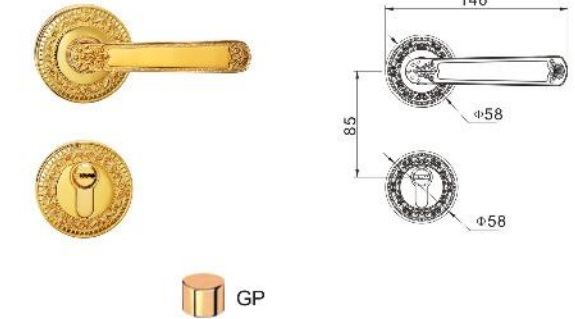
Room lock installation steps:

1. Make sure the incline of the tongue go with the closing direction. When it is necessary to adjust the opening direction of the lock, remove the commutator bar of the inclined tongue, and push the tongue into the lock, rotate 180°. Draw lines and make holes according to the installation specification. (As the picture: A)
2. Place the lock into the hole. Pre-fix the screws of the back veneer. (As the picture: B-C)
3. Insert the square bar through the door and into the lock. (As the picture: D)
4. Install the inner and outer plates, making handle run smoothly. Screw down the screws. (As the picture: E-F)
5. Insert the lock cylinder, making the key and knob run smoothly. (As the picture: G)
6. Screw down the screws, install the gusset plate and gusset box, make them parallel to the lock and match the lock tongue. Fix the screws. (As the picture: H)



提示: 为保护产品外观和功能, 安装门锁前请将手洗净或戴上干净的布料类作业手套。装饰门面时, 特别是门面如贴上油漆, 请将已装好的门锁卸下, 待装修完毕后再次装上。  
Attention: In order to protect the lock's surface and function, please wash your hands or wear working gloves when install it. If decorated doors, please take off the lock first, after that, put on it again.

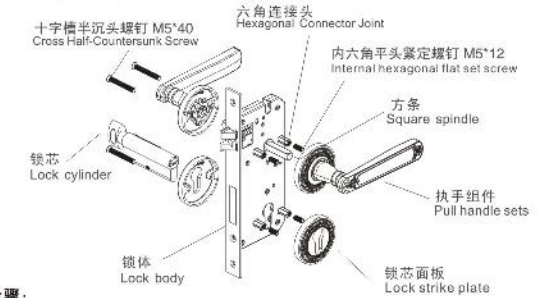
欲了解更多详细资料, 请登陆汇泰龙国际互联网: www.hutlon.com



HD-68712 古典铜分体锁 光金 (专利号: 201430085330.0)  
Separator-Lock (GP)

产品属性 Product Features	
表面处理: 光金 Finish: GP	锁面板中心孔距: 184mm Central hole distance of face plate: 184mm
锁把手材质: 铜 Lever material: Brass	锁匙: S坑、蛇槽5条黄铜匙 Keys: 5 lines of "s" type pits solid brass key
锁面板材质: 铜 Lock strike plate material: Brass	适合门厚: 38-52mm Available door thickness: 38-52mm
锁体: HD-85-50E 独特斜舌活舌设计 Lock Distance: a unique slating tongue design	适合范围: 各种木质门扇 Available for: All kinds of wooden door leaves
锁芯: HD-85-76B 高精度蛇槽锁芯 Lock Cylinder: High security with bending slot	特点: 互开率低 Features: Low interopening

产品结构图:图例  
Product Structure drawing: drawing sample

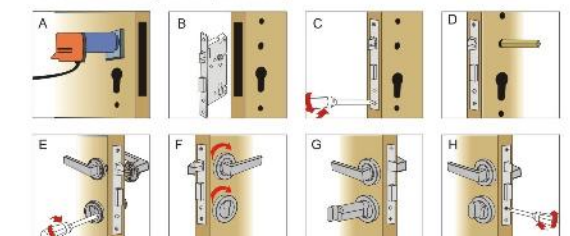


分体锁安装步骤:

1. 确保斜舌斜面与关门方向一致, 当需要调整锁体开门方向时, 向上拨开斜舌换向片, 将斜舌推入锁体后, 旋转180°, 根据安装纸画线开孔(如下图: A)。
2. 将锁体放入孔; 预紧衬板螺钉, 分别从锁圈和执手圈上折出外盖; 将方杆穿过门板插入锁体(如下图: B-D)。
3. 安装内外执手圈组件, 使把手转动顺畅; 拧紧螺钉, 安装内外锁圈, 插入锁芯(如下图: E-G)。
4. 使钥匙及旋钮转动顺畅; 拧紧螺钉, 安装扣板及扣盒, 对齐锁体, 应使锁舌与之配合顺畅, 拧紧螺钉(如下图: H)。

Separator-lock installation steps:

1. Make sure the incline of the tongue go with the closing direction. When it is necessary to adjust the opening direction of the lock, remove the commutator bar of the inclined tongue, and push the tongue into the lock, rotate 180°. Draw lines and make holes according to the installation specification. (As the picture: A)
2. Place the lock into the hole. Pre-fix the screws of the back veneer. Remove the cover from the locking collar and handle collar. Insert the square bar through the door and into the lock. (As the picture: B-D)
3. Install the inner and outer parts of the handle collar. Make the handle run smoothly, and fix the screws. Install the inner and outer locking collar. (As the picture: E-G)
4. Insert the lock cylinder. Make the key and knob run smoothly. Fix the screws. Install the gusset plate and gusset box, make them parallel to the lock and match the lock tongue. Fix the screws. (As the picture: H)



提示: 为保护产品外观和功能, 安装门锁前请将手洗净或戴上干净的布料类作业手套。装饰门面时, 特别是门面如贴上油漆, 请将已装好的门锁卸下, 待装修完毕后再次装上。  
Attention: In order to protect the lock's surface and function, please wash your hands or wear working gloves when install it. If decorated doors, please take off the lock first, after that, put on it again.

赫菲斯系列 Hephaistos Series



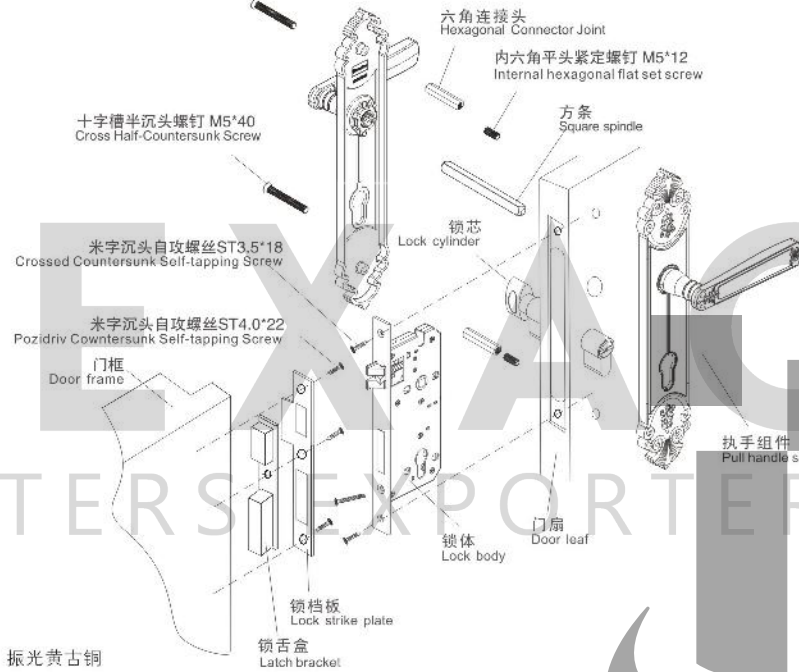
2

TWO 二重门设计  
Lock Hardware  
米兰世界博览会品牌战略合作伙伴  
STRATEGIC PARTNER OF EXPO2015 MILANO



HD-68711 古典铜大门锁 振光黄古铜  
Gate Door Lock (PLYB)  
(专利号: 201330644034.0)

产品结构图:图例  
Product Structure drawing:drawing sample



PLYB

产品属性	Product Features
表面处理: 振光黄古铜 Finish: PLYB	锁芯: S坑、蛇槽5条黄铜匙 Keys: 5 lines of "s" tyle pits solid brass key
锁把手材质: 铜 Lever material: Brass	锁面中心孔距: 220mm Central hole distance of face plate: 220mm
锁面板材质: 铜 Lock strike plate material: Brass	适合门厚: 38-52mm Available door thickness: 38-52mm
锁体: HD-85-50E 独特斜舌设计 Lock Distance: a unique slating tongue design	适合范围: 各种木质门扇 Available for: All kinds of wooden door leaves
锁芯: HD-85-76B 高精度蛇槽锁芯 Lock Cylinder: High security with bending slot	特点: 互开率低 Features: Low interopening

大门锁安装步骤:

1. 确保斜舌斜面与关门方向一致, 当需要调整锁体开门方向时, 向上拨开斜舌换向片, 将斜舌推入锁体后, 旋转180°, 根据安装纸规画线开孔(如下图: A)。
2. 将锁体放入孔; 预紧衬板螺钉(如下图: B-C)。
3. 将方杆穿过门板插入锁体(如下图: D)。
4. 安装内外面板, 使把手转动顺畅; 拧紧螺钉(如下图: E-F)。
5. 插入锁芯, 使钥匙及旋钮转动顺畅(如下图: G)。
6. 拧紧螺钉, 安装扣板及扣盒, 对齐锁体, 应使锁舌与之配合顺畅, 拧紧螺钉(如下图: H)。

Gate lock installation steps:

1. Make sure the incline of the tongue go with the closing direction. When it is necessary to adjust the opening direction of the lock, remove the commutator bar of the inclined tongue, and push the tongue into the lock, rotate 180°. Draw lines and make holes according to the installation specification. (As the picture: A)
2. Place the lock into the hole. Pre-fix the screws of the back veneer. (As the picture: B-C)
3. Insert the square bar through the door and into the lock. (As the picture: D)
4. Install the inner and outer plates, making handle run smoothly. Screw down the screws. (As the picture: E-F)
5. Insert the lock cylinder, making the key and knob run smoothly. (As the picture: G)
6. Screw down the screws, install the gusset plate and gusset box, make them parallel to the lock and match the lock tongue. Fix the screws. (As the picture: H)



提示: 为保护产品外观和功能, 安装前请将手洗净或戴上干净的布类作业手套。装饰门面时, 特别是门面如漆上漆, 请将已装好的门框卸下, 待装修完毕后再装上。  
Attention: In order to protect the lock's surface and function, please wash your hands or wear working gloves when install it. If decorated doors, please take off the lock first, after that, put on it again.

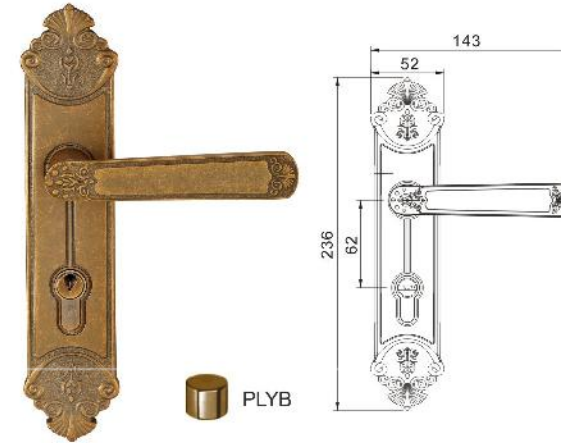
汇泰龙保留在不影响产品使用功能、质量的前提下, 适当改动产品尺寸、外型而不另行通知的权利; 本册所有产品颜色、尺寸误差请以实物为准。

赫菲斯系列 Hephaistos Series



2

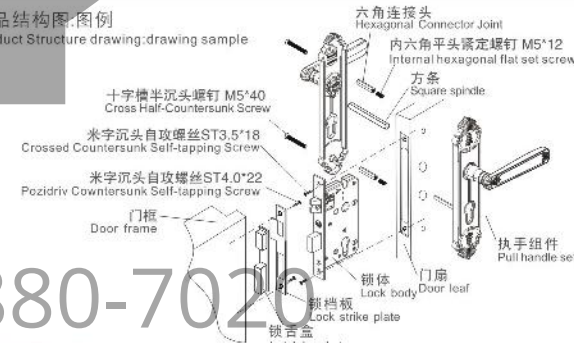
TWO 二重门设计  
Lock Hardware  
米兰世界博览会品牌战略合作伙伴  
STRATEGIC PARTNER OF EXPO2015 MILANO



HD-68715 古典铜房门锁 振光黄古铜  
Room Door Lock (PLYB)

产品属性	Product Features
表面处理: 振光黄古铜 Finish: PLYB	锁面中心孔距: 184mm Central hole distance of face plate: 184mm
锁把手材质: 铜 Lever material: Brass	锁匙: S坑、蛇槽5条黄铜匙 Keys: 5 lines of "s" tyle pits solid brass key
锁面板材质: 铜 Lock strike plate material: Brass	适合门厚: 38-52mm Available door thickness: 38-52mm
锁体: HD-62-50E 锁体 Lock Distance: HD-62-50E	适合范围: 各种木质门扇 Available for: All kinds of wooden door leaves
锁芯: HD-85-76B 高精度蛇槽锁芯 Lock Cylinder: High security with bending slot	特点: 互开率低 Features: Low interopening

产品结构图:图例  
Product Structure drawing:drawing sample

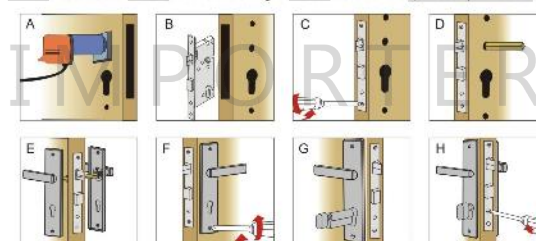


房门锁安装步骤:

1. 确保斜舌斜面与关门方向一致, 当需要调整锁体开门方向时, 向上拨开斜舌换向片, 将斜舌推入锁体后, 旋转180°, 根据安装纸规画线开孔(如下图: A)。
2. 将锁体放入孔; 预紧衬板螺钉(如下图: B-C)。
3. 将方杆穿过门板插入锁体(如下图: D)。
4. 安装内外面板, 使把手转动顺畅; 拧紧螺钉(如下图: E-F)。
5. 插入锁芯, 使钥匙及旋钮转动顺畅(如下图: G)。
6. 拧紧螺钉, 安装扣板及扣盒, 对齐锁体, 应使锁舌与之配合顺畅, 拧紧螺钉(如下图: H)。

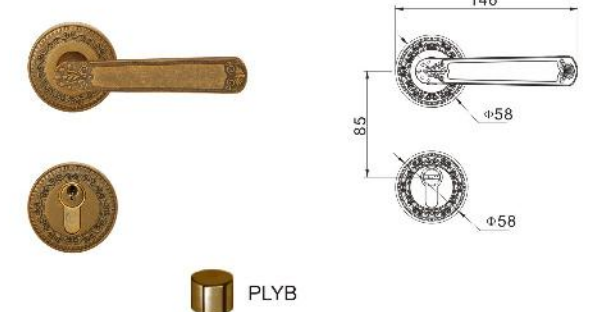
Room lock installation steps:

1. Make sure the incline of the tongue go with the closing direction. When it is necessary to adjust the opening direction of the lock, remove the commutator bar of the inclined tongue, and push the tongue into the lock, rotate 180°. Draw lines and make holes according to the installation specification. (As the picture: A)
2. Place the lock into the hole. Pre-fix the screws of the back veneer. (As the picture: B-C)
3. Insert the square bar through the door and into the lock. (As the picture: D)
4. Install the inner and outer plates, making handle run smoothly. Screw down the screws. (As the picture: E-F)
5. Insert the lock cylinder, making the key and knob run smoothly. (As the picture: G)
6. Screw down the screws, install the gusset plate and gusset box, make them parallel to the lock and match the lock tongue. Fix the screws. (As the picture: H)



提示: 为保护产品外观和功能, 安装前请将手洗净或戴上干净的布类作业手套。装饰门面时, 特别是门面如漆上漆, 请将已装好的门框卸下, 待装修完毕后再装上。  
Attention: In order to protect the lock's surface and function, please wash your hands or wear working gloves when install it. If decorated doors, please take off the lock first, after that, put on it again.

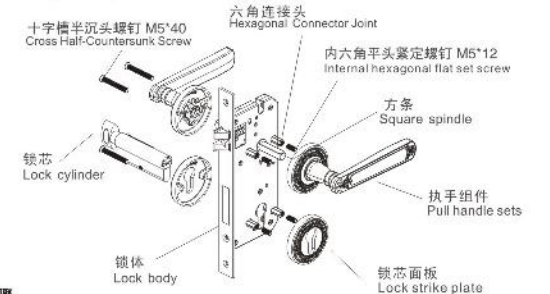
了解更多详细资料, 请登陆汇泰龙国际互联网: www.hutlon.com



HD-68712 古典铜分体锁 振光黄古铜 (专利号: 201430085330.6)  
Separator-Lock (PLYB)

产品属性	Product Features
表面处理: 振光黄古铜 Finish: PLYB	锁芯: S坑、蛇槽5条黄铜匙 Keys: 5 lines of "s" tyle pits solid brass key
锁把手材质: 铜 Lever material: Brass	锁面中心孔距: 146mm Central hole distance of face plate: 146mm
锁面板材质: 铜 Lock strike plate material: Brass	适合门厚: 38-52mm Available door thickness: 38-52mm
锁体: HD-85-50E 独特斜舌设计 Lock Distance: a unique slating tongue design	适合范围: 各种木质门扇 Available for: All kinds of wooden door leaves
锁芯: HD-85-76B 高精度蛇槽锁芯 Lock Cylinder: High security with bending slot	特点: 互开率低 Features: Low interopening

产品结构图:图例  
Product Structure drawing:drawing sample

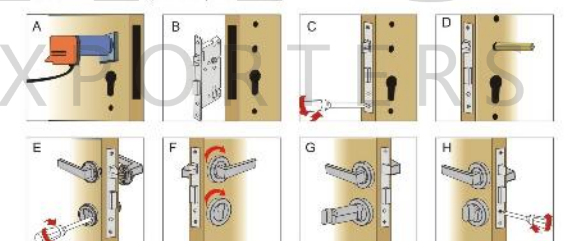


分体锁安装步骤:

1. 确保斜舌斜面与关门方向一致, 当需要调整锁体开门方向时, 向上拨开斜舌换向片, 将斜舌推入锁体后, 旋转180°, 根据安装纸规画线开孔(如下图: A)。
2. 将锁体放入孔; 预紧衬板螺钉, 分别从锁圈和把手圈上折出外盖; 将方杆穿过门板插入锁体(如下图: B-D)。
3. 安装内外把手圈, 使把手转动顺畅; 拧紧螺钉, 安装内外锁圈, 插入锁芯(如下图: E-G)。
4. 使钥匙及旋钮转动顺畅, 拧紧螺钉, 安装扣板及扣盒, 对齐锁体, 应使锁舌与之配合顺畅, 拧紧螺钉(如下图: H)。

Separator-lock installation steps:

1. Make sure the incline of the tongue go with the closing direction. When it is necessary to adjust the opening direction of the lock, remove the commutator bar of the inclined tongue, and push the tongue into the lock, rotate 180°. Draw lines and make holes according to the installation specification. (As the picture: A)
2. Place the lock into the hole. Pre-fix the screws of the back veneer. Remove the cover from the locking collar and handle collar. Insert the square bar through the door and into the lock. (As the picture: B-D)
3. Install the inner and outer parts of the handle collar. Make the handle run smoothly, and fix the screws. Install the inner and outer locking collar. (As the picture: E-G)
4. Insert the lock cylinder. Make the key and knob run smoothly. Fix the screws. Install the gusset plate and gusset box, make them parallel to the lock and match the lock tongue. Fix the screws. (As the picture: H)



# 豪华古典指纹锁

## Luxury Classical Fingerprint Lock

ONE 智能电子锁  
Intelligent Electronic Locks  
米兰世界博览会金牌战略合作伙伴  
STRAATEGIC PARTNER OF EXPO2015 MILANO

(5) 安装前后锁面: 如图6所示, 再将前锁面电源线从孔穿到门背后, 接好电源线, 前锁面把手方孔对准大方轴装好, 然后将后锁面把手方孔对准大方轴, 小旋转对准锁体孔装好, 用螺钉从后面穿过孔固定好前锁面, 装上电池, 最后盖好电池盖, 盖上螺钉装饰盖。

Install the front and back panels: as shown in figure 6, then insert front panel's power cable through the hole to the back door, well connect the cable. Make the front panel's handle right inserted by the big square spindle, same operation to the back panel handle, and then rotate it properly to the lock body hole, fix the front lock from the back through the hole with screws, install batteries, finally install the battery cover and put the screw decorative cover on.

(6) 装门框盒、扣板: 如图8所示, 将门框盒装在门框上, 装上扣板, 用四个螺钉固定; 最后检查锁体活动是否顺畅, 木门使用自攻螺钉固定, 铁门使用公制螺钉固定。

Loading frame box, pinch plate: as shown in figure 8, install the frame box on door frame, install the door pinch plate with four screws; Finally check whether the lock body smooth or not, wooden door to use self tapping screws, iron door to use metric screws.

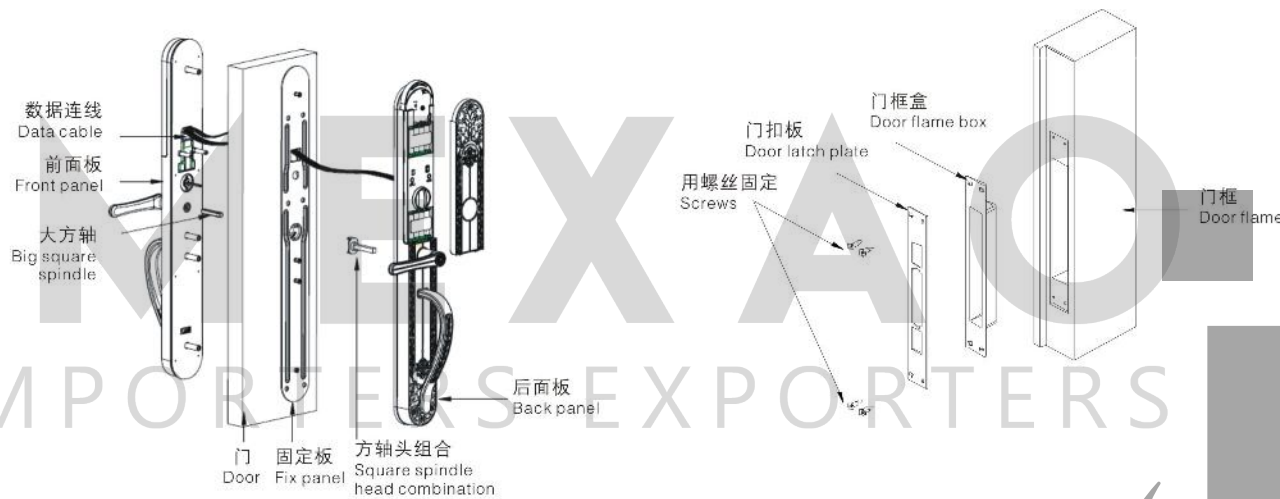


图2

图3

(7) 调试: 门锁安装好后, 请按第二章操作与使用进行调试门锁, 直到合适为止。  
Debugging: After lock installation, please refer to chapter 2 the operation and usage to debug the lock until it is right.

### 安装注意事项 NOTES OF INSTALLATION

① 安装前请先检查您的门厚是否在极限门厚范围内, 本锁标准配置适用的门厚是: 40-100mm。

② 固定前后锁体时, 不要压住内部连接线。

③ 安装拿前后锁体时, 请轻拿轻放, 以免刮花、刮伤锁体表面, 影响外观。

Please check whether your door thickness within the limits of thickness of the door before installing. The lock for the door thickness is :40-100mm. When you fix the front and back lock body, please don't press the internal connection wire down. Take the front and back lock body when installing, please take and put them gently to avoid scratching on the surface of the lock body so that the appearance will not affected.

### 六、维护及保养 MAINTENANCE

#### 日常维护及保养 daily maintenance

(1) 请勿让锁面与腐蚀性物质接触, 以免破坏锁面保护层, 影响锁面的光泽度。(2) 把手是门锁的关键部位, 其灵活性直接影响门锁的使用, 请勿在把手上悬挂物件。(3) 如果门变形, 会使组合斜舌进入门框盒摩擦过大, 不能完全伸展, 此时应调整门扣板位置。(4) 指纹采集窗使用较长时间后, 表面会沾污垢或表面潮湿, 请用干燥软布轻轻擦拭。(5) 电池电量不足报警后, 请立即更换电池, 以确保门锁正常使用, 更换电池时, 请注意电池的正负极。(6) 请妥善保管机械钥匙。(7) 请勿用坚硬的、尖锐的物体刻划指纹采集窗表面(包括指甲)。(8) 每次采集指纹时, 手指指纹部分平贴指纹识别器。(9) 如锁转动不灵活或不能保持正确的位置, 应请专业人员将锁芯部份加注机械润滑油。(10) 经常保持锁体传动部位有润滑剂, 以保持其转动顺畅及延长使用寿命。建议半年或一年检查一次, 同时检查紧固螺钉有否松动, 以确保紧固。(11) 锁头在使用过程中, 定期(一年或半年)或在钥匙插拔不顺畅时, 可在锁芯槽内抹入小许石墨粉或铅笔粉以确保钥匙插拔顺畅。但切忌加入其他任何油类来作润滑, 以避免油脂粘住弹子弹簧, 导致锁头不能转动而不能开启。

(1) Please don't let the lock surface and the corrosive material be in touch, in order to avoid destroy Lock surface protective layer, and affect lock surface lustrousness. (2) The handle which the flexibility affect lock function is the man part of door lock, so please don't hang objects on the handle. (3) If the door deformation, it will make friction too large when combination lock latch insert into the door frame box, can't fully extended, at this time, you should adjust door pinch position. (4) After when low battery alarms, in order to ensure the normal use, please exchange battery as soon as possible, when exchange battery, please note battery positive and negative. (6) Please keep mechanical key. (7) Please don't use hard, sharp objects scratch fingerprint window surface. (8) Every time when collecting fingerprints, keep the fingerprint be appressed with the fingerprint recognizer. (9) Such as lock rotation is not flexible, or can't keep the correct position, should ask professional lock core part filling mechanical lubricating oil. (10) In order to keep it run smoothly and extend the service life. We advise check it one time in one year or half one year, please keep the transmission parts of lock body have lubricant, and check the set screw whether is loose or not. (11) During usage, on a regular basis (one year or six months) or when the key plug is not smooth, you can put some graphite powder or pencil powder to make the key plug be smooth. But please don't put any oils as lubricant, avoid Oil stick marbles spring, leading to the lock can not move and can not open.

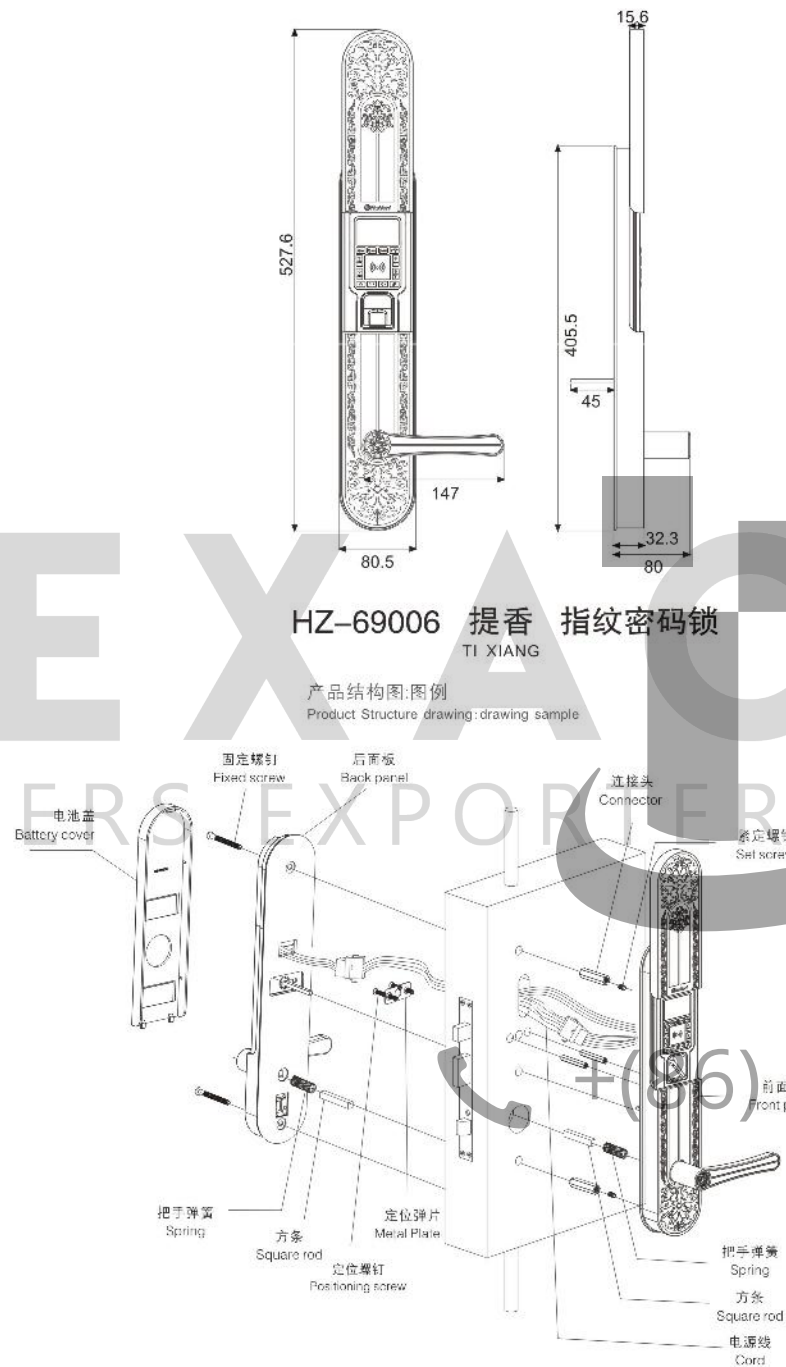


+ (86) 186-8880-7020



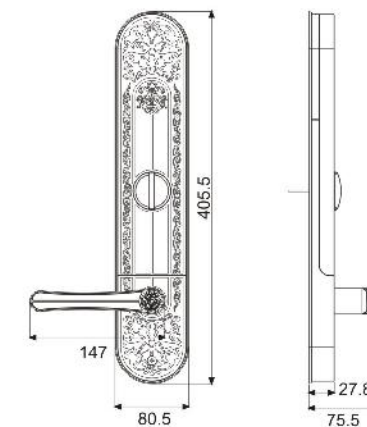
HZ-69006 提香 指纹密码锁  
TI XIANG

产品结构图:图例  
Product Structure drawing: drawing sample



二、配件图  
parts illustration

编号 NO	名称 description	图示 Diagram Form	数量 Quantity	编号 NO	名称 description	图示 Diagram Form	数量 Quantity	编号 NO	名称 description	图示 Diagram Form	数量 Quantity
01	前面板 Front panel		1	06	门扣盒 Door latch box		1	11	后面板 Back panel		1
02	锁体 Lock Body		1	07	门扣板 Door latch plate		1	12	电池盖 Battery cover		1
03	定位弹片 Metal Plate		1	08	方条 Square rod		2	13	小方条 Small square rod		1
04	连接头 Connector		2	09	固定螺钉 Fixed screw		2	14	应急机械钥匙 key lock		3
05	定位螺钉 Positioning screw		2	10	把手弹簧 Spring		2				



提香 TI XIANG  
HZ-69006 指纹密码锁 拉丝金/光金  
Fingerprint Password Lock SG/GP

可选颜色: YB 本色, AB 黄古铜, AC 红古铜  
Selective color: YB Natural, AB Yellow Bronze, AC Red Bronze

产品属性 Product Features

- 表面处理: 拉丝金/光金  
Finish: SG/GP
- 锁把手材质: 锌合金  
Lever material: Zinc Alloy
- 锁面板材质: 锌合金  
Lock strike plate material: Zinc Alloy
- 指纹识别技术: 国际先进360度指纹识别; 密码核心技术: 密码防泄, 触控式感应模块;  
Fingerprint identification: 360 degree; Password identification: password leakage prevention, touch induction module; Sensor technology: leakage and conflict prevention to avoid data interference.
- 特别提示: 右开门门锁, 锁面板不分左右, 锁体分左右。本系列产品分左开门和右开门。  
Special Notice: Lock right open. Lock plate case left and right. Lock classified: left and right. This series lock divided into Left-open and right-open.

产品优点 Product Feature:

1. 指纹读头采用国际上先进的生物识别技术, 360度指纹识别; 2. 指纹启动时间小于1秒, 识别速度更快, 轻触即刻开启; 3. 中文OLED显示技术结合同步语音提示, 操作简单快捷; 4. 用户名实名制, 最多12位英文字母与数字; 5. 可存储200套最新开锁实名制记录; 6. 高安全模式, 使此产品安全等级更高; 7. 采用国际先进的RFID技术; 8. 语音音量可调, 另设有静音模式; 9. 可设常开功能(通道功能); 10. 密码防窥设计, 人性化的安全保障; 11. 采用隐藏式应急机械钥匙设计; 12. 安装便捷, 左右/内外双向方便快捷。
1. Fingerprint reading head adopts international advanced biometric technologies, fingerprint identification: 360 degrees; 2. Fingerprint start time is less than 1 second, identify faster, touch to immediately open; 3. Chinese OLED display technology with simultaneous voice prompt, easy to operate; 4. Real-name system, up to 12 English letter and digital; 5. It can store 200 latest unlock records; 6. High security mode makes it higher level in safety; 7. Adopting international advanced RFID technology; 8. Voice volume is adjustable, with silent mode; 9. Normally open function (channel mode) available; 10. password anti-spy design, more humanized in security; 11. Concealed emergency mechanical key design; 12. More convenient in installation and left-right/inner-outside conversion.

! 警示功能 ALARM FUNCTION

- 斜舌报警 Latch bolt alarm
- 低压报警 pressure alarm
- 防撬报警 Pry proof alarm

管理功能 MANAGEMENT FUNCTION

- 增加与删除指纹操作 Increase and remove fingerprint operation
- 增加与删除密码操作 Increase and remove password operation
- 增加与删除感应卡操作 Add and cancel induction card operation

常规设置 (设置时钟、语言)

General setup (set the clock, language)

智能电子锁 Intelligent Electronic Locks

四合一超人性化开锁方式 Four IN ONE



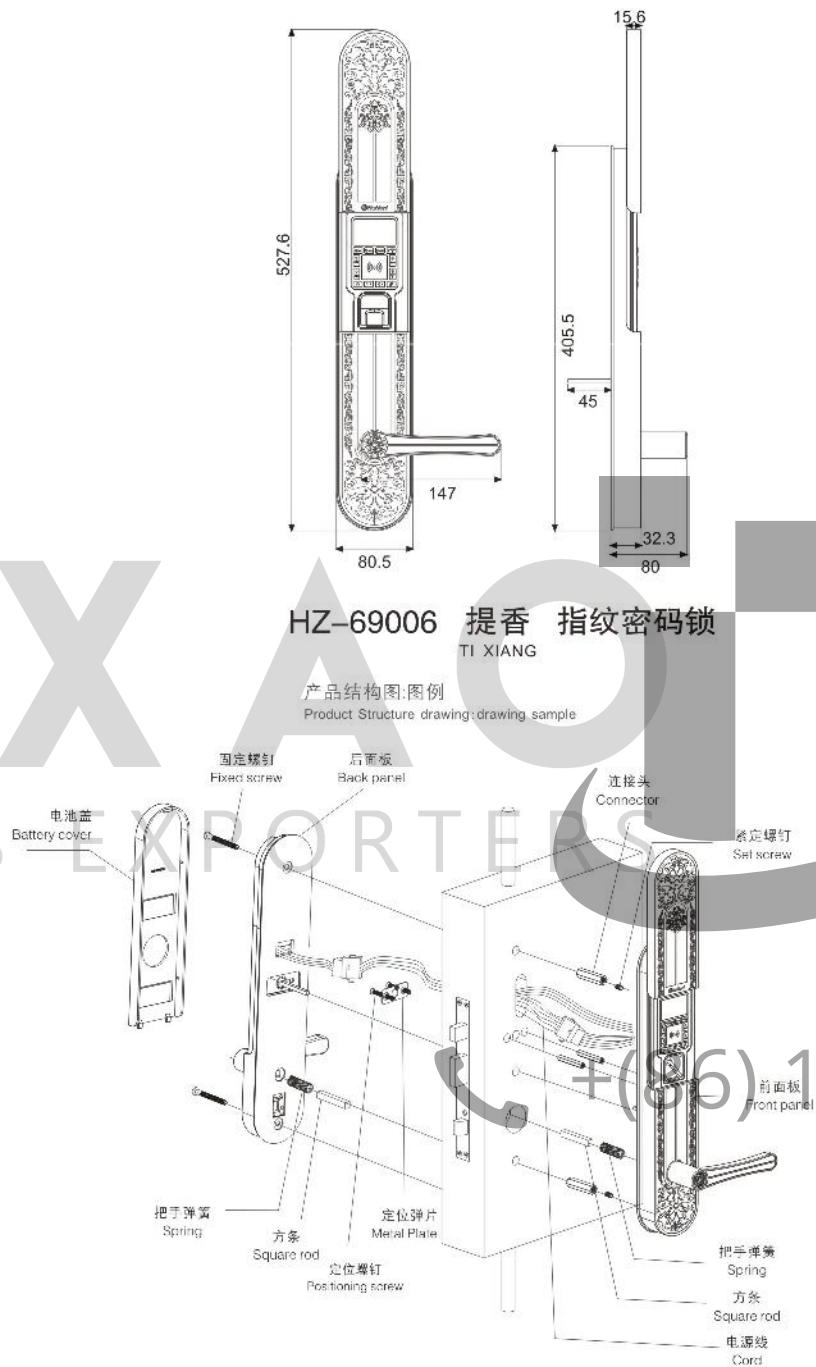
- 指纹开锁 Fingerprint Lock
- 密码开锁 Password Lock
- 应急机械钥匙开锁 Key Lock
- 感应卡开锁 Unlock by Card



YB

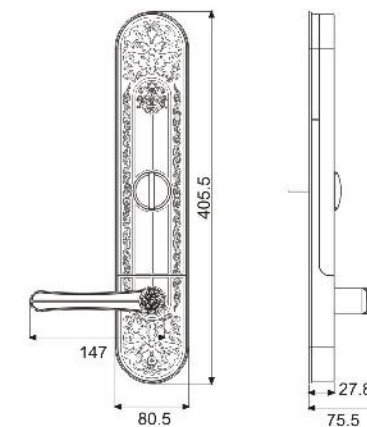
HZ-69006 提香 指纹密码锁  
TI XIANG

产品结构图:图例  
Product Structure drawing: drawing sample



二、配件图  
parts illustration

编号 NO	名称 description	图示 Diagram Form	数量 Quantity	编号 NO	名称 description	图示 Diagram Form	数量 Quantity	编号 NO	名称 description	图示 Diagram Form	数量 Quantity
01	前面板 Front panel		1	06	门扣盒 Door latch box		1	11	后面板 Back panel		1
02	锁体 Lock Body		1	07	门扣板 Door latch plate		1	12	电池盖 Battery cover		1
03	定位弹片 Metal Plate		1	08	方条 Square rod		2	13	小方条 Small square rod		1
04	连接头 Connector		2	09	固定螺钉 Fixed screw		2	14	应急机械钥匙 key lock		3
05	定位螺钉 Positioning screw		2	10	把手弹簧 Spring		2				



提香 TI XIANG  
HZ-69006 指纹密码锁 黄古铜  
Fingerprint Password Lock YB

可选颜色: YB SG GP AB AC  
Selective color: 黄古铜/安全 青古铜 黑古铜 红古铜

产品属性 Product Features

表面处理: 黄古铜 Finish: YB	锁体: 独特活瓣式设计 Lock Distance: Unique movable latch bolt design
锁把手材质: 锌合金 Lever material: Zinc Alloy	适合门厚: 40-100mm Available door thickness: 40-100mm
锁面板材质: 锌合金 Lock strike plate material: Zinc Alloy	钥匙: 3条(电脑双排8珠+蛇形槽) Keys: 3 keys (computer double row with 8 ball + snakelike groove)
指纹识别技术: 国际先进360度指纹识别; 密码核心技术: 密码防溢, 触控式感应模块; 感应技术: 快速防混冲发机制, 防误干扰; Fingerprint identification: 360 degree; Password identification: password leakage prevention, touch induction module; Sensor technology: leakage and conflict prevention to avoid data interference.	
特别提示: 右开门锁, 锁面板不分左右, 锁体分左右。本系列产品分左开和右开门。 Special Notice: Lock right open. Lock plate case (left and right). Lock classified: left and right. This series lock divided into left-open and right-open.	

产品优点 Product Feature:

1. 指纹读头采用国际上先进的生物识别技术, 360度指纹识别; 2. 指纹启动时间小于1秒, 识别速度更快, 轻触即刻开启; 3. 中文OLED显示技术结合同步语音提示, 操作简单快捷; 4. 用户名实名制, 最多12位英文母与数字; 5. 可存储200套最新开锁实名制记录; 6. 高安全模式, 使此产品安全等级更高; 7. 采用国际先进的RFID技术; 8. 语音音量可调, 另设有静音模式; 9. 可设常开功能(通道功能); 10. 密码防窥设计, 人性化的安全保障; 11. 采用隐藏式应急机械钥匙设计; 12. 安装便捷, 左右/内外换向方便快捷。
1. Fingerprint reading head adopts international advanced biometric technologies, fingerprint identification: 360 degrees; 2. Fingerprint start time is less than 1 second, identify faster, touch to immediately open; 3. Chinese OLED display technology with simultaneous voice prompt, easy to operate; 4. Real-name system, up to 12 English letter and digital; 5. It can store 200 latest unlock records; 6. High security mode makes it higher level in safety; 7. Adopting international advanced RFID technology; 8. Voice volume is adjustable, with silent mode; 9. Normally open function (channel mode) available; 10. password anti-spy design, more humanized in security; 11. Concealed emergency mechanical key design; 12. More convenient in installation and left-right/inner-outside conversion.

! 警示功能 ALARM FUNCTION

- 斜舌报警 Latch bolt alarm
- 低压报警 pressure alarm
- 防撬报警 Pry proof alarm

管理功能 MANAGEMENT FUNCTION

- 增加与删除指纹操作 Increase and remove fingerprint operation
- 增加与删除密码操作 Increase and remove password operation
- 增加与删除感应卡操作 Add and cancel induction card operation

常规设置 (设置时钟、语言)  
General setup (set the clock, language)

智能电子锁 Intelligent Electronic Locks

四合一超人性化开锁方式 Four IN ONE



奥丁系列 Odin Series



奥丁系列 Odin Series

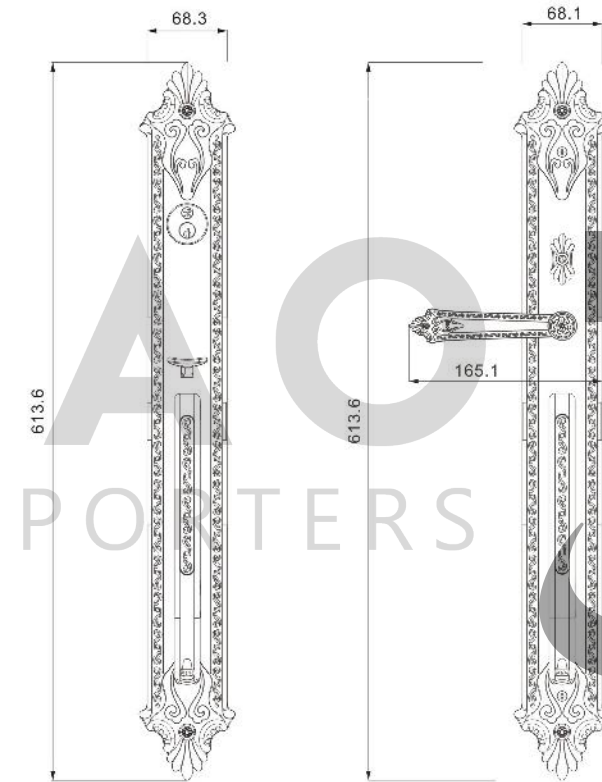


2

TWO 仁德五金  
Lock Hardware  
米兰世界博览会品牌战略合作伙伴  
STRATEGIC PARTNER OF EXPO2015 MILANO



产品尺寸图:  
Product size chart



RG PLYB

HD-68738A 豪华古典铜大门锁 玫瑰金 振光黄古铜  
Pure Brass Deluxe Gate Door Lock (RG PLYB)

产品属性 Product Features	
表面处理: 玫瑰金、振光黄古铜 Finish: RG PLYB	钥匙: 6条双排珠白铜钥匙 Keys: 6 pcs of double beads white brass keys
锁把手材质: 铜 Lever material: Brass	适合门厚: 45-60mm Available door thickness: 45-60mm
锁舌板材质: 铜 Lock strike plate material: Brass	适合范围: 各种木门扇 Available for: All kinds of wooden door leaves
锁体: HD-87-65防撬双锁舌锁体 Lock Body: HD-87-65 Security double latch bolt and lock body	锁卡: 预设有配匙卡 key card: key card is provided
锁芯: HD-87-32-38 电脑双排10粒珠 Lock Cylinder: Computer double 10 beads	特点: 特别防撬、安全、高档、豪华 Features: special security, high class, deluxe
特别提示: 若此门锁安装于左开门扇时, 请向本公司订左开门锁体 Special Notice: If this lock is used in the left-opening door, please order the left-opening lock body from us specially	



欧式古典神话—奥丁

尊贵至上 传承古典艺术的智慧

提示: 为保护产品外观和功能, 安装门锁前请将手洗净或带上干净的布料类作业手套。装修门扇时, 特别是门扇如蒙上油漆, 请将已装好的门锁卸下, 待装修完后, 再装上。  
Attention: In order to protect the lock's surface and function, please wash your hands or wear working gloves when install it. If decorated doors, please take off the lock first, after that, put on it again.

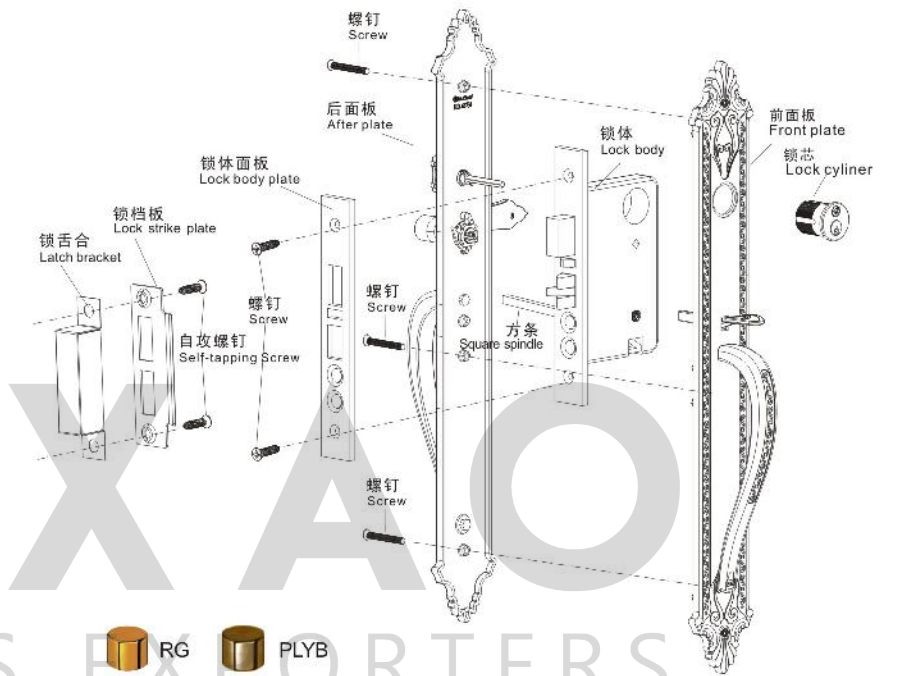
汇泰龙保留在不影响产品使用功能、质量的前提下, 适当改动产品尺寸、外型而不另行通知的权利; 本册所有产品颜色、尺寸误差请以实物为准。

069

2

TWO 仁德五金  
Lock Hardware  
米兰世界博览会品牌战略合作伙伴  
STRATEGIC PARTNER OF EXPO2015 MILANO

产品结构图: 图例  
Product Structure drawing: drawing sample



RG PLYB

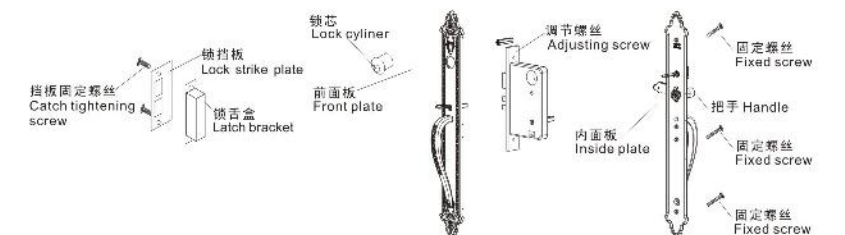
HD-68738A 豪华古典铜大门锁 玫瑰金 振光黄古铜  
Pure Brass Deluxe Gate Door Lock (RG PLYB)

安装步骤:  
INSTALLATION STEPS:

1. 确定开门方向后, 剪下安装纸规, 并按照特定的高度定位在门上, 依照纸规上的定位点及所要求的尺寸在门上做好标记, 按标记在门厚中间凿槽, 从门面上钻孔。
2. 拧松锁体上的螺丝钉移开后面板, 把锁体插入门槽后拧紧螺丝固定, 将圆头螺丝及垫圈从方轴上移走, 将方轴从后面板方向水平插入锁体方形孔及外部, 重新放入垫圈, 并且重新从外部上紧圆头螺丝。



3. 安装前面板, 退少许锁头调节螺钉。(以锁头能旋入为准) 使锁头穿过前面板与锁体安装位置对准, 旋转锁头进入, 旋紧螺钉。
4. 安装内面板, 用固定螺丝固定(方舌处于收回状态)。
5. 转动把手, 使方舌伸出, 然后上紧锁体面板上螺丝, 安装锁舌板和锁舌盒, 使锁具运动顺畅。



提示: 为保护产品外观和功能, 安装门锁前请将手洗净或带上干净的布料类作业手套。装修门扇时, 特别是门扇如蒙上油漆, 请将已装好的门锁卸下, 待装修完后, 再装上。  
Attention: In order to protect the lock's surface and function, please wash your hands or wear working gloves when install it. If decorated doors, please take off the lock first, after that, put on it again.

欲了解更多详细资料, 请登陆汇泰龙国际互联网: [www.hutlon.com](http://www.hutlon.com)

070

奥丁系列 Odin Series

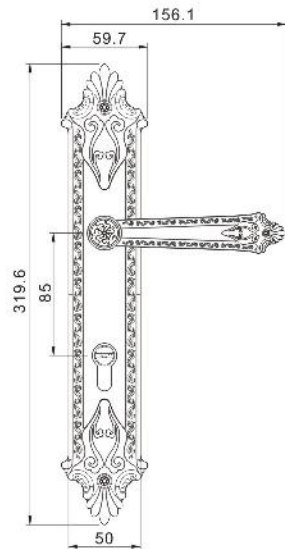


2

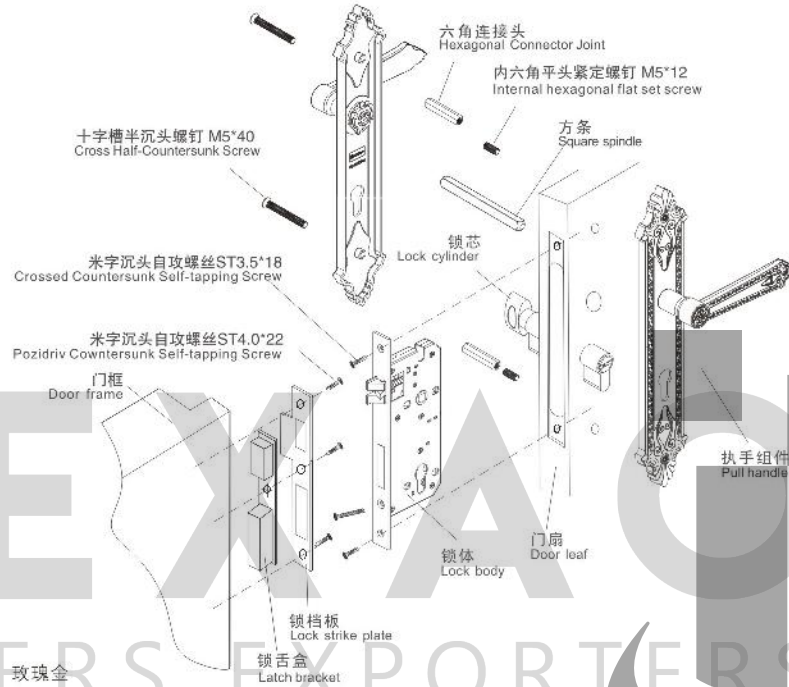
TWO 仁德五金  
Lock Hardware  
米兰世界博展五金品牌战略合作伙伴  
STRATEGIC PARTNER OF EXPO2015 MILANO



HD-68731 古典铜大门锁 玫瑰金  
Gate Door Lock (RG)  
(专利号: 201330644069.4)



产品结构图:图例  
Product Structure drawing:drawing sample



产品属性 Product Features	
表面处理: 玫瑰金 Finish: RG	锁芯: S坑、蛇槽5条黄铜芯 Keys: 5 lines of "s" tyle pits solid brass key
锁把手材质: 铜 Lever material: Brass	锁口板中心孔距: 210mm Central hole distance of face plate: 210mm
锁面板材质: 铜 Lock strike plate material: Brass	适合门厚: 38-52mm Available door thickness: 38-52mm
锁体: HD-85-50E 独特斜舌活舌设计 Lock Distance: a unique slating tongue design	适合范围: 各种木质门扇 Available for: All kinds of wooden door leaves
锁芯: HD-85-76B 高精度蛇槽锁芯 Lock Cylinder: High security with bending slot	特点: 互开率低 Features: Low interopening

大门锁安装步骤:

1. 确保斜舌斜面与关门方向一致, 当需要调整锁体开门方向时, 向上拨开斜舌换向片, 将斜舌推入锁体后, 旋转180°, 根据安装纸框画线开孔(如下图: A)。
2. 将锁体放入孔; 预紧衬板螺钉(如下图: B-C)。
3. 将方杆穿过门板插入锁体(如下图: D)。
4. 安装内外面板, 使把手转动顺畅; 拧紧螺钉(如下图: E-F)。
5. 插入锁芯, 使钥匙及旋钮转动顺畅(如下图: G)。
6. 拧紧螺钉, 安装扣板及扣盒, 对齐锁体, 应使锁舌与之配合顺畅, 拧紧螺钉(如下图: H)。

Gate lock installation steps:

1. Make sure the incline of the tongue go with the closing direction. When it is necessary to adjust the opening direction of the lock, remove the commutator bar of the inclined tongue, and push the tongue into the lock, rotate 180°. Draw lines and make holes according to the installation specification. (As the picture: A)
2. Place the lock into the hole. Pre-fix the screws of the back veneer. (As the picture: B-C)
3. Insert the square bar through the door and into the lock. (As the picture: D)
4. Install the inner and outer plates, making handle run smoothly. Screw down the screws. (As the picture: E-F)
5. Insert the lock cylinder, making the key and knob run smoothly. (As the picture: G)
6. Screw down the screws, install the gusset plate and gusset box, make them parallel to the lock and match the lock tongue. Fix the screws. (As the picture: H)

欧式古典神话—奥丁

尊贵至上 传承古典艺术的智慧



提示: 为保护产品外观和功能, 安装门锁前请将手洗擦干净或带上干净的布料类作业手套。装锁时, 特别是门扇如漆上油漆, 请将已装好的门锁卸下, 待装修完毕后再装上。  
Attention: In order to protect the lock's surface and function, please wash your hands or wear working gloves when install it. If decorated doors, please take off the lock first, after that, put on it again.

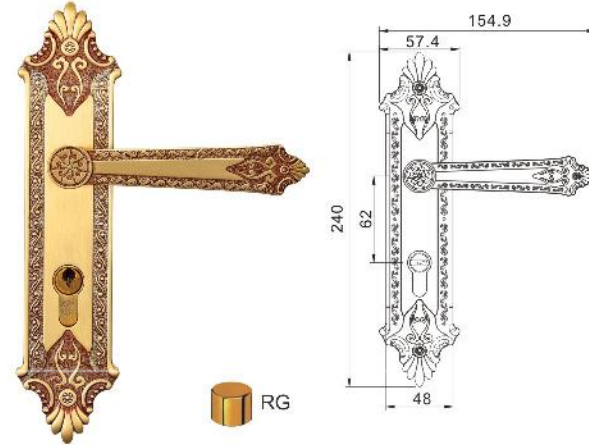
汇泰龙保留在不影响产品使用功能、质量的前提下, 适当改动产品尺寸、外型而不另行通知的权利; 本册所有产品颜色、尺寸误差请以实物为准。

奥丁系列 Odin Series



2

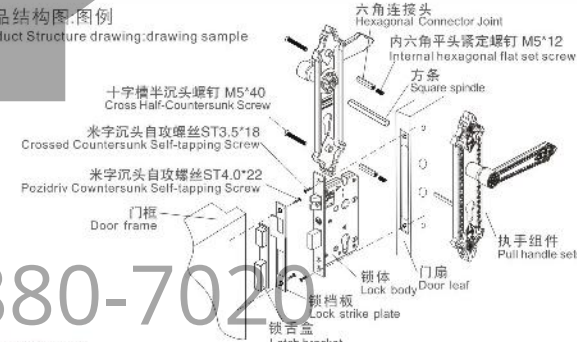
TWO 仁德五金  
Lock Hardware  
米兰世界博展五金品牌战略合作伙伴  
STRATEGIC PARTNER OF EXPO2015 MILANO



HD-68735 古典铜房门锁 玫瑰金  
Room Door Lock (RG)

产品属性 Product Features	
表面处理: 玫瑰金 Finish: RG	锁面板中心孔距: 154mm Central hole distance of face plate: 154mm
锁把手材质: 铜 Lever material: Brass	钥匙: S坑、蛇槽5条黄铜芯 Keys: 5 lines of "s" tyle pits solid brass key
锁面板材质: 铜 Lock strike plate material: Brass	适合门厚: 38-52mm Available door thickness: 38-52mm
锁体: HD-62-50E 锁体 Lock Distance: HD-62-50E	适合范围: 各种木质门扇 Available for: All kinds of wooden door leaves
锁芯: HD-85-76B 高精度蛇槽锁芯 Lock Cylinder: High security with bending slot	特点: 互开率低 Features: Low interopening

产品结构图:图例  
Product Structure drawing:drawing sample

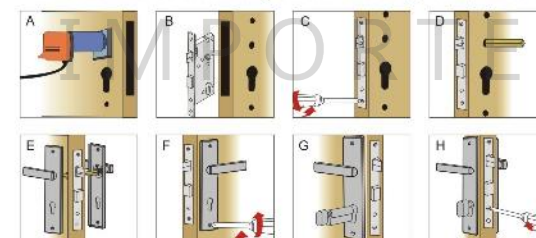


房门锁安装步骤:

1. 确保斜舌斜面与关门方向一致, 当需要调整锁体开门方向时, 向上拨开斜舌换向片, 将斜舌推入锁体后, 旋转180°, 根据安装纸框画线开孔(如下图: A)。
2. 将锁体放入孔; 预紧衬板螺钉(如下图: B-C)。
3. 将方杆穿过门板插入锁体(如下图: D)。
4. 安装内外面板, 使把手转动顺畅; 拧紧螺钉(如下图: E-F)。
5. 插入锁芯, 使钥匙及旋钮转动顺畅(如下图: G)。
6. 拧紧螺钉, 安装扣板及扣盒, 对齐锁体, 应使锁舌与之配合顺畅, 拧紧螺钉(如下图: H)。

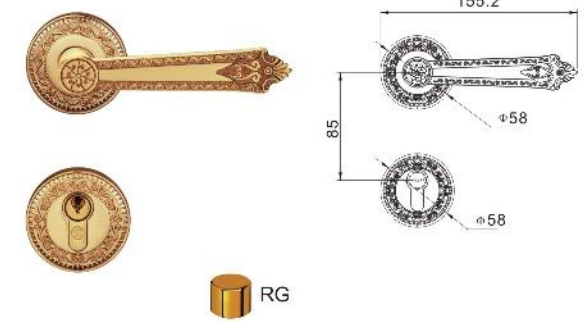
Room lock installation steps:

1. Make sure the incline of the tongue go with the closing direction. When it is necessary to adjust the opening direction of the lock, remove the commutator bar of the inclined tongue, and push the tongue into the lock, rotate 180°. Draw lines and make holes according to the installation specification. (As the picture: A)
2. Place the lock into the hole. Pre-fix the screws of the back veneer. (As the picture: B-C)
3. Insert the square bar through the door and into the lock. (As the picture: D)
4. Install the inner and outer plates, making handle run smoothly. Screw down the screws. (As the picture: E-F)
5. Insert the lock cylinder, making the key and knob run smoothly. (As the picture: G)
6. Screw down the screws, install the gusset plate and gusset box, make them parallel to the lock and match the lock tongue. Fix the screws. (As the picture: H)



提示: 为保护产品外观和功能, 安装门锁前请将手洗擦干净或带上干净的布料类作业手套。装锁时, 特别是门扇如漆上油漆, 请将已装好的门锁卸下, 待装修完毕后再装上。  
Attention: In order to protect the lock's surface and function, please wash your hands or wear working gloves when install it. If decorated doors, please take off the lock first, after that, put on it again.

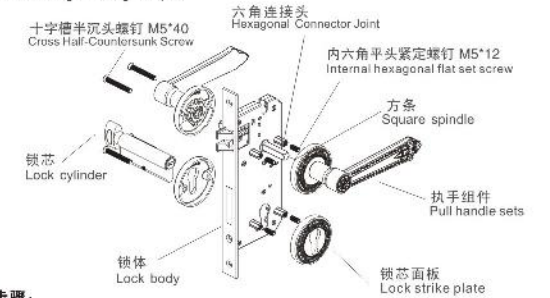
欲了解更多详细资料, 请登陆汇泰龙国际互联网: www.hutlon.com



HD-68732 古典铜分体锁 玫瑰金 (专利号: 201430085330.6)  
Separator-Lock (RG)

产品属性 Product Features	
表面处理: 玫瑰金 Finish: RG	锁芯: S坑、蛇槽5条黄铜芯 Keys: 5 lines of "s" tyle pits solid brass key
锁把手材质: 铜 Lever material: Brass	锁口板中心孔距: 155.2mm Central hole distance of face plate: 155.2mm
锁面板材质: 铜 Lock strike plate material: Brass	适合门厚: 38-52mm Available door thickness: 38-52mm
锁体: HD-85-50E 独特斜舌活舌设计 Lock Distance: a unique slating tongue design	适合范围: 各种木质门扇 Available for: All kinds of wooden door leaves
锁芯: HD-85-76B 高精度蛇槽锁芯 Lock Cylinder: High security with bending slot	特点: 互开率低 Features: Low interopening

产品结构图:图例  
Product Structure drawing:drawing sample

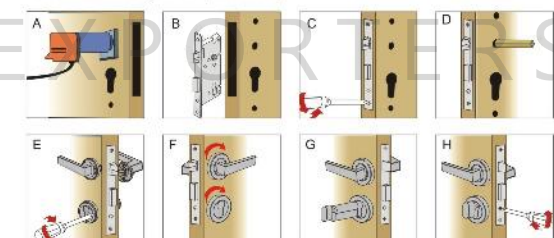


分体锁安装步骤:

1. 确保斜舌斜面与关门方向一致, 当需要调整锁体开门方向时, 向上拨开斜舌换向片, 将斜舌推入锁体后, 旋转180°, 根据安装纸框画线开孔(如下图: A)。
2. 将锁体放入孔; 预紧衬板螺钉, 分别从锁圈和把手圈上折出外盖; 将方杆穿过门板插入锁体(如下图: B-D)。
3. 安装内外把手圈, 使把手转动顺畅; 拧紧螺钉, 安装内外锁圈, 插入锁芯(如下图: E-G)。
4. 使钥匙及旋钮转动顺畅, 拧紧螺钉, 安装扣板及扣盒, 对齐锁体, 应使锁舌与之配合顺畅; 拧紧螺钉(如下图: H)。

Separator-lock installation steps:

1. Make sure the incline of the tongue go with the closing direction. When it is necessary to adjust the opening direction of the lock, remove the commutator bar of the inclined tongue, and push the tongue into the lock, rotate 180°. Draw lines and make holes according to the installation specification. (As the picture: A)
2. Place the lock into the hole. Pre-fix the screws of the back veneer. Remove the cover from the locking collar and handle collar. Insert the square bar through the door and into the lock. (As the picture: B-D)
3. Install the inner and outer parts of the handle collar. Make the handle run smoothly, and fix the screws. Install the inner and outer locking collar. (As the picture: E-G)
4. Insert the lock cylinder. Make the key and knob run smoothly. Fix the screws. Install the gusset plate and gusset box, make them parallel to the lock and match the lock tongue. Fix the screws. (As the picture: H)



奥丁系列 Odin Series

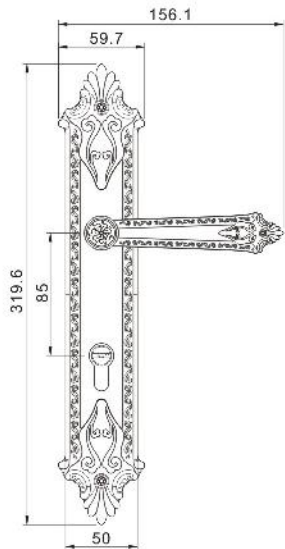


2

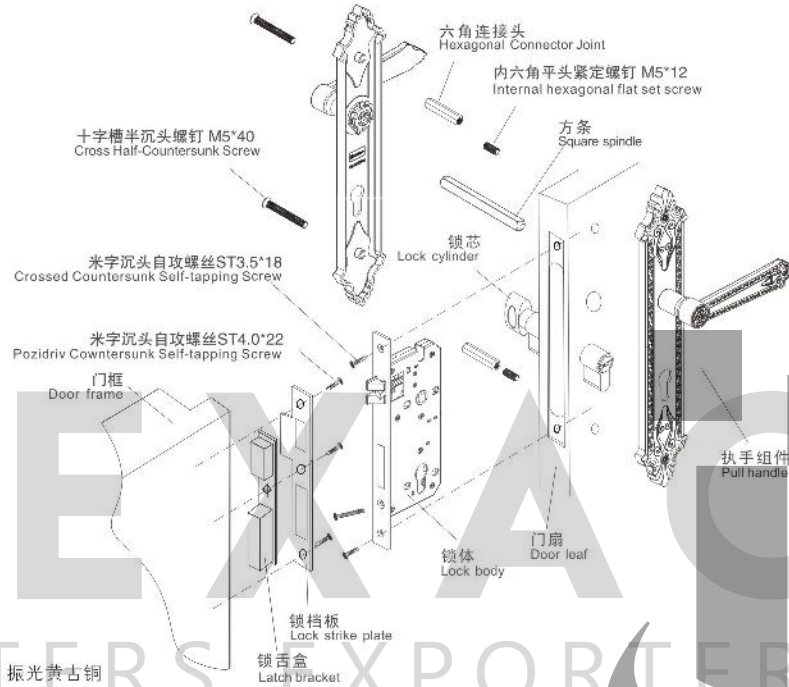
TWO 仁德五金  
Lock Hardware  
米兰世界博展五金品牌战略合作伙伴  
STRATEGIC PARTNER OF EXPO2015 MILANO



HD-68731 古典铜大门锁 振光黄古铜  
Gate Door Lock (PLYB)  
(专利号: 201330644069.4)



产品结构图:图例  
Product Structure drawing:drawing sample



产品属性 Product Features	
表面处理: 振光黄古铜 Finish: PLYB	锁芯: S坑、蛇槽5条黄铜匙 Keys: 5 lines of "s" tyle pits solid brass key
锁把手材质: 铜 Lever material: Brass	锁面板中心孔距: 210mm Central hole distance of face plate:210mm
锁面板材质: 铜 Lock strike plate material: Brass	适合门厚: 38-52mm Available door thickness: 38-52mm
锁体: HD-85-50E 独特斜舌活舌设计 Lock Distance: a unique slating tongue design	适合范围: 各种木质门扇 Available for: All kinds of wooden door leaves
锁芯: HD-85-76B 高精度蛇槽锁芯 Lock Cylinder: High security with bending slot	特点: 互开率低 Features: Low interopening

大门锁安装步骤:

1. 确保斜舌斜面与关门方向一致, 当需要调整锁体开门方向时, 向上拨开斜舌换向片, 将斜舌推入锁体后, 旋转180°, 根据安装纸规画线开孔(如下图: A)。
2. 将锁体放入孔; 预紧衬板螺钉(如下图: B-C)。
3. 将方杆穿过门板插入锁体(如下图: D)。
4. 安装内外面板, 使把手转动顺畅; 拧紧螺钉(如下图: E-F)。
5. 插入锁芯, 使钥匙及旋钮转动顺畅(如下图: G)。
6. 拧紧螺钉, 安装扣板及扣盒, 对齐锁体, 应使锁舌与之配合顺畅, 拧紧螺钉(如下图: H)。

Gate lock installation steps:

1. Make sure the incline of the tongue go with the closing direction. When it is necessary to adjust the opening direction of the lock, remove the commutator bar of the inclined tongue, and push the tongue into the lock, rotate 180°. Draw lines and make holes according to the installation specification. (As the picture: A)
2. Place the lock into the hole. Pre-fix the screws of the back veneer. (As the picture: B-C)
3. Insert the square bar through the door and into the lock. (As the picture: D)
4. Install the inner and outer plates, making handle run smoothly. (As the picture: E-F)
5. Insert the lock cylinder, making the key and knob run smoothly. (As the picture: G)
6. Screw down the screws, install the gusset plate and gusset box, make them parallel to the lock and match the lock tongue. Fix the screws. (As the picture: H)



提示: 为保护产品外观和功能, 安装门锁前请将手洗擦干净或带上干净的布料类作业手套。装锁时, 特别是门扇如漆上油漆, 请将已装好的门锁卸下, 待装修完毕后再装上。  
Attention: In order to protect the lock's surface and function, please wash your hands or wear working gloves when install it. If decorated doors, please take off the lock first, after that, put on it again.

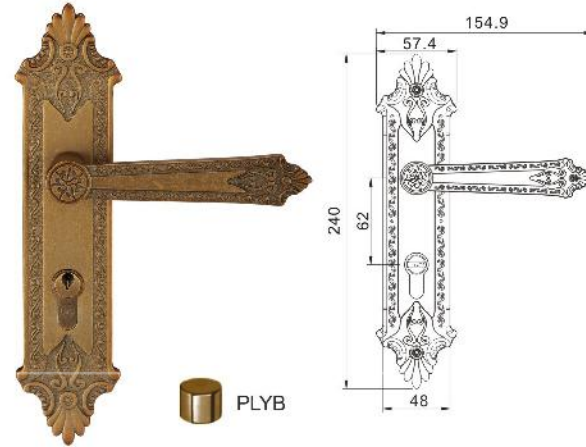
汇泰龙保留在不影响产品使用功能、质量的前提下, 适当改动产品尺寸、外型而不另行通知的权利; 本册所有产品颜色、尺寸误差请以实物为准。

奥丁系列 Odin Series



2

TWO 仁德五金  
Lock Hardware  
米兰世界博展五金品牌战略合作伙伴  
STRATEGIC PARTNER OF EXPO2015 MILANO



HD-68735 古典铜房门锁 振光黄古铜  
Room Door Lock (PLYB)

产品属性 Product Features	
表面处理: 振光黄古铜 Finish: PLYB	锁面板中心孔距: 154mm Central hole distance of face plate: 154mm
锁把手材质: 铜 Lever material: Brass	锁芯: S坑、蛇槽5条黄铜匙 Keys: 5 lines of "s" tyle pits solid brass key
锁面板材质: 铜 Lock strike plate material: Brass	适合门厚: 38-52mm Available door thickness: 38-52mm
锁体: HD-62-50E 锁体 Lock Distance: HD-62-50E	适合范围: 各种木质门扇 Available for: All kinds of wooden door leaves
锁芯: HD-85-76B 高精度蛇槽锁芯 Lock Cylinder: High security with bending slot	特点: 互开率低 Features: Low interopening

产品结构图:图例  
Product Structure drawing:drawing sample

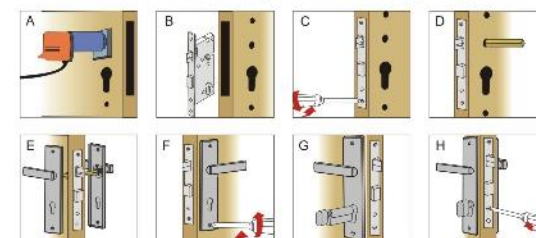


房门锁安装步骤:

1. 确保斜舌斜面与关门方向一致, 当需要调整锁体开门方向时, 向上拨开斜舌换向片, 将斜舌推入锁体后, 旋转180°, 根据安装纸规画线开孔(如下图: A)。
2. 将锁体放入孔; 预紧衬板螺钉(如下图: B-C)。
3. 将方杆穿过门板插入锁体(如下图: D)。
4. 安装内外面板, 使把手转动顺畅; 拧紧螺钉(如下图: E-F)。
5. 插入锁芯, 使钥匙及旋钮转动顺畅(如下图: G)。
6. 拧紧螺钉, 安装扣板及扣盒, 对齐锁体, 应使锁舌与之配合顺畅, 拧紧螺钉(如下图: H)。

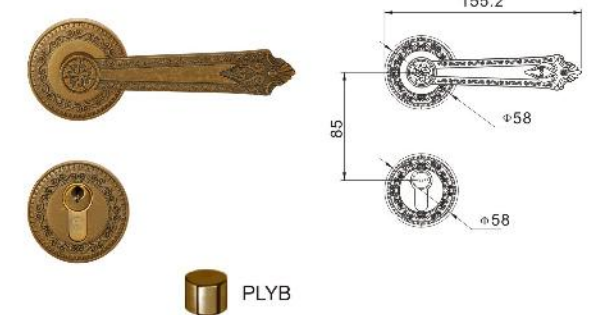
Room lock installation steps:

1. Make sure the incline of the tongue go with the closing direction. When it is necessary to adjust the opening direction of the lock, remove the commutator bar of the inclined tongue, and push the tongue into the lock, rotate 180°. Draw lines and make holes according to the installation specification. (As the picture: A)
2. Place the lock into the hole. Pre-fix the screws of the back veneer. (As the picture: B-C)
3. Insert the square bar through the door and into the lock. (As the picture: D)
4. Install the inner and outer plates, making handle run smoothly. (As the picture: E-F)
5. Insert the lock cylinder, making the key and knob run smoothly. (As the picture: G)
6. Screw down the screws, install the gusset plate and gusset box, make them parallel to the lock and match the lock tongue. Fix the screws. (As the picture: H)



提示: 为保护产品外观和功能, 安装门锁前请将手洗擦干净或带上干净的布料类作业手套。装锁时, 特别是门扇如漆上油漆, 请将已装好的门锁卸下, 待装修完毕后再装上。  
Attention: In order to protect the lock's surface and function, please wash your hands or wear working gloves when install it. If decorated doors, please take off the lock first, after that, put on it again.

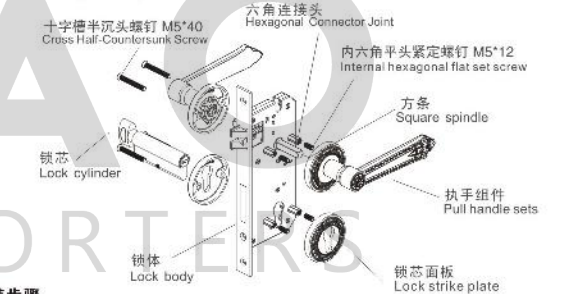
欲了解更多详细资料, 请登陆汇泰龙国际互联网: www.hutlon.com



HD-68732 古典铜分体锁 振光黄古铜 (专利号: 201430085330.6)  
Separator-Lock (PLYB)

产品属性 Product Features	
表面处理: 振光黄古铜 Finish: PLYB	锁芯: S坑、蛇槽5条黄铜匙 Keys: 5 lines of "s" tyle pits solid brass key
锁把手材质: 铜 Lever material: Brass	锁面板中心孔距: 155mm Central hole distance of face plate: 155mm
锁面板材质: 铜 Lock strike plate material: Brass	适合门厚: 38-52mm Available door thickness: 38-52mm
锁体: HD-85-50E 独特斜舌活舌设计 Lock Distance: a unique slating tongue design	适合范围: 各种木质门扇 Available for: All kinds of wooden door leaves
锁芯: HD-85-76B 高精度蛇槽锁芯 Lock Cylinder: High security with bending slot	特点: 互开率低 Features: Low interopening

产品结构图:图例  
Product Structure drawing:drawing sample

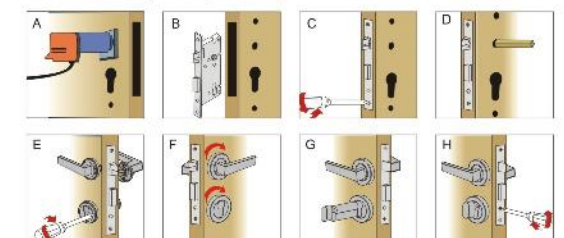


分体锁安装步骤:

1. 确保斜舌斜面与关门方向一致, 当需要调整锁体开门方向时, 向上拨开斜舌换向片, 将斜舌推入锁体后, 旋转180°, 根据安装纸规画线开孔(如下图: A)。
2. 将锁体放入孔; 预紧衬板螺钉, 分别从锁圈和把手圈上折出外盖; 将方杆穿过门板插入锁体(如下图: B-D)。
3. 安装内外把手圈, 使把手转动顺畅; 拧紧螺钉, 安装内外锁圈, 插入锁芯(如下图: E-G)。
4. 使钥匙及旋钮转动顺畅, 拧紧螺钉, 安装扣板及扣盒, 对齐锁体, 应使锁舌与之配合顺畅, 拧紧螺钉(如下图: H)。

Separator-lock installation steps:

1. Make sure the incline of the tongue go with the closing direction. When it is necessary to adjust the opening direction of the lock, remove the commutator bar of the inclined tongue, and push the tongue into the lock, rotate 180°. Draw lines and make holes according to the installation specification. (As the picture: A)
2. Place the lock into the hole. Pre-fix the screws of the back veneer. Remove the cover from the locking collar and handle collar. Insert the square bar through the door and into the lock. (As the picture: B-D)
3. Install the inner and outer parts of the handle collar. Make the handle run smoothly, and fix the screws. Install the inner and outer locking collar. (As the picture: E-G)
4. Insert the lock cylinder. Make the key and knob run smoothly. Fix the screws. Install the gusset plate and gusset box, make them parallel to the lock and match the lock tongue. Fix the screws. (As the picture: H)



提示: 为保护产品外观和功能, 安装门锁前请将手洗擦干净或带上干净的布料类作业手套。装锁时, 特别是门扇如漆上油漆, 请将已装好的门锁卸下, 待装修完毕后再装上。  
Attention: In order to protect the lock's surface and function, please wash your hands or wear working gloves when install it. If decorated doors, please take off the lock first, after that, put on it again.



弗雷系列 Frey Series

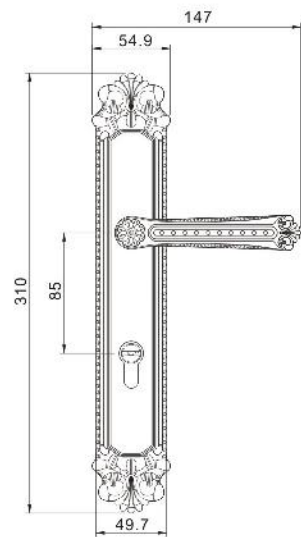


2

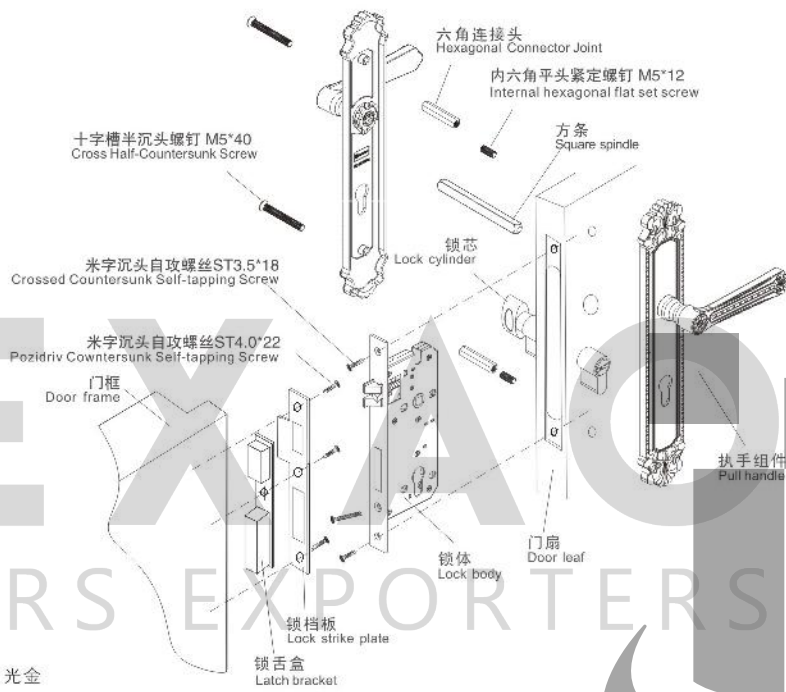
TWO 仁德五金  
Lock Hardware  
米兰世界博展余品展战略合作伙伴  
STRATEGIC PARTNER OF EXPO2015 MILANO



HD-68741 古典铜大门锁 光金  
Gate Door Lock (GP)  
(专利号: 201330644070.7)



产品结构图:图例  
Product Structure drawing:drawing sample



产品属性 Product Features	
表面处理: 光金 Finish: GP	锁芯: S坑、蛇槽5条黄铜匙 Keys: 5 lines of "s" tyle pits solid brass key
锁把手材质: 铜 Lever material: Brass	锁面板中心孔距: 210mm Central hole distance of face plate: 210mm
锁面板材质: 铜 Lock strike plate material: Brass	适合门厚: 38-52mm Available door thickness: 38-52mm
锁体: HD-85-50E 独特斜舌活舌设计 Lock Distance: a unique slating tongue design	适合范围: 各种木质门扇 Available for: All kinds of wooden door leaves
锁芯: HD-85-76B 高精度蛇槽锁芯 Lock Cylinder: High security with bending slot	特点: 互开率低 Features: Low interopening

大门锁安装步骤:

1. 确保斜舌斜面与关门方向一致, 当需要调整锁体开门方向时, 向上拨开斜舌换向片, 将斜舌推入锁体后, 旋转180°, 根据安装纸规画线开孔(如下图: A)。
2. 将锁体放入孔; 预紧衬板螺钉(如下图: B-C)。
3. 将方杆穿过门板插入锁体(如下图: D)。
4. 安装内外面板, 使把手转动顺畅; 拧紧螺钉(如下图: E-F)。
5. 插入锁芯, 使钥匙及旋钮转动顺畅(如下图: G)。
6. 拧紧螺钉, 安装扣板及扣盒, 对齐锁体, 应使锁舌与之配合顺畅, 拧紧螺钉(如下图: H)。

Gate lock installation steps:

1. Make sure the incline of the tongue go with the closing direction. When it is necessary to adjust the opening direction of the lock, remove the commutator bar of the inclined tongue, and push the tongue into the lock, rotate 180°. Draw lines and make holes according to the installation specification. (As the picture: A)
2. Place the lock into the hole. Pre-fix the screws of the back veneer. (As the picture: B-C)
3. Insert the square bar through the door and into the lock. (As the picture: D)
4. Install the inner and outer plates, making handle run smoothly. Screw down the screws. (As the picture: E-F)
5. Insert the lock cylinder, making the key and knob run smoothly. (As the picture: G)
6. Screw down the screws, install the gusset plate and gusset box, make them parallel to the lock and match the lock tongue. Fix the screws. (As the picture: H)



提示: 为保护产品外观和功能, 安装门锁前请将手洗净或戴上干净的布类作业手套。装饰门面时, 特别是门面如贴上海漆, 请将已装好的门锁卸下, 待装修完毕后再装上。  
Attention: In order to protect the lock's surface and function, please wash your hands or wear working gloves when install it. If decorated doors, please take off the lock first, after that, put on it again.

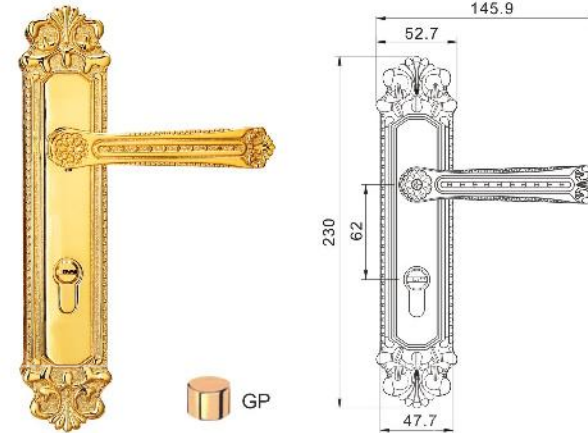
汇泰龙保留在不影响产品使用功能、质量的前提下, 适当改动产品尺寸、外型而不另行通知的权利; 本册所有产品颜色、尺寸误差请以实物为准。

弗雷系列 Frey Series



2

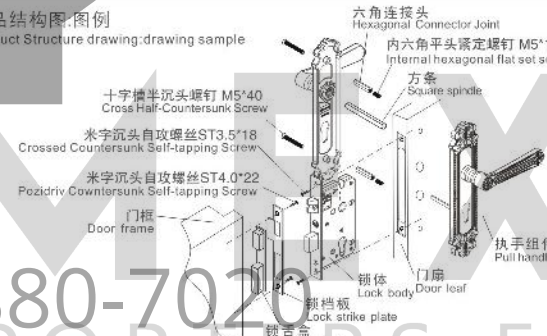
TWO 仁德五金  
Lock Hardware  
米兰世界博展余品展战略合作伙伴  
STRATEGIC PARTNER OF EXPO2015 MILANO



HD-68745 古典铜房门锁 光金  
Room Door Lock (GP)

产品属性 Product Features	
表面处理: 光金 Finish: GP	锁面板中心孔距: 164mm Central hole distance of face plate: 164mm
锁把手材质: 铜 Lever material: Brass	钥匙: S坑、蛇槽5条黄铜匙 Keys: 5 lines of "s" tyle pits solid brass key
锁面板材质: 铜 Lock strike plate material: Brass	适合门厚: 38-52mm Available door thickness: 38-52mm
锁体: HD-62-50E 锁体 Lock Distance: HD-62-50E	适合范围: 各种木质门扇 Available for: All kinds of wooden door leaves
锁芯: HD-85-76B 高精度蛇槽锁芯 Lock Cylinder: High security with bending slot	特点: 互开率低 Features: Low interopening

产品结构图:图例  
Product Structure drawing:drawing sample

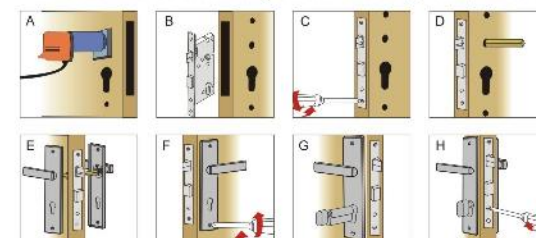


房门锁安装步骤:

1. 确保斜舌斜面与关门方向一致, 当需要调整锁体开门方向时, 向上拨开斜舌换向片, 将斜舌推入锁体后, 旋转180°, 根据安装纸规画线开孔(如下图: A)。
2. 将锁体放入孔; 预紧衬板螺钉(如下图: B-C)。
3. 将方杆穿过门板插入锁体(如下图: D)。
4. 安装内外面板, 使把手转动顺畅; 拧紧螺钉(如下图: E-F)。
5. 插入锁芯, 使钥匙及旋钮转动顺畅(如下图: G)。
6. 拧紧螺钉, 安装扣板及扣盒, 对齐锁体, 应使锁舌与之配合顺畅, 拧紧螺钉(如下图: H)。

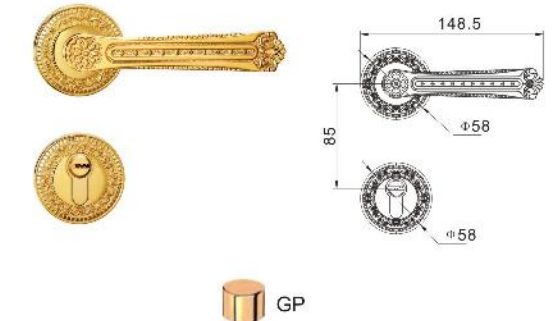
Room lock installation steps:

1. Make sure the incline of the tongue go with the closing direction. When it is necessary to adjust the opening direction of the lock, remove the commutator bar of the inclined tongue, and push the tongue into the lock, rotate 180°. Draw lines and make holes according to the installation specification. (As the picture: A)
2. Place the lock into the hole. Pre-fix the screws of the back veneer. (As the picture: B-C)
3. Insert the square bar through the door and into the lock. (As the picture: D)
4. Install the inner and outer plates, making handle run smoothly. Screw down the screws. (As the picture: E-F)
5. Insert the lock cylinder, making the key and knob run smoothly. (As the picture: G)
6. Screw down the screws, install the gusset plate and gusset box, make them parallel to the lock and match the lock tongue. Fix the screws. (As the picture: H)



提示: 为保护产品外观和功能, 安装门锁前请将手洗净或戴上干净的布类作业手套。装饰门面时, 特别是门面如贴上海漆, 请将已装好的门锁卸下, 待装修完毕后再装上。  
Attention: In order to protect the lock's surface and function, please wash your hands or wear working gloves when install it. If decorated doors, please take off the lock first, after that, put on it again.

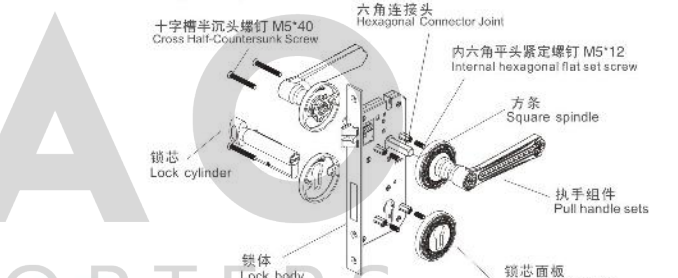
欲了解更多详细资料, 请登陆汇泰龙国际互联网: www.hutlon.com



HD-68742 古典铜分体锁 光金 (专利号: 201430085330.6)  
Separator-Lock (GP)

产品属性 Product Features	
表面处理: 光金 Finish: GP	锁芯: S坑、蛇槽5条黄铜匙 Keys: 5 lines of "s" tyle pits solid brass key
锁把手材质: 铜 Lever material: Brass	锁面板中心孔距: 164mm Central hole distance of face plate: 164mm
锁面板材质: 铜 Lock strike plate material: Brass	适合门厚: 38-52mm Available door thickness: 38-52mm
锁体: HD-85-50E 独特斜舌活舌设计 Lock Distance: a unique slating tongue design	适合范围: 各种木质门扇 Available for: All kinds of wooden door leaves
锁芯: HD-85-76B 高精度蛇槽锁芯 Lock Cylinder: High security with bending slot	特点: 互开率低 Features: Low interopening

产品结构图:图例  
Product Structure drawing:drawing sample

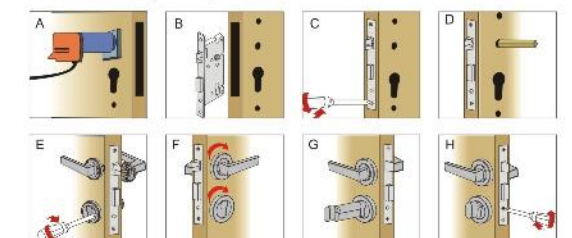


分体锁安装步骤:

1. 确保斜舌斜面与关门方向一致, 当需要调整锁体开门方向时, 向上拨开斜舌换向片, 将斜舌推入锁体后, 旋转180°, 根据安装纸规画线开孔(如下图: A)。
2. 将锁体放入孔; 预紧衬板螺钉, 分别从锁圈和把手圈上折出外盖; 将方杆穿过门板插入锁体(如下图: B-D)。
3. 安装内外把手圈, 使把手转动顺畅, 拧紧螺钉, 安装内外锁圈, 插入锁芯(如下图: E-G)。
4. 使钥匙及旋钮转动顺畅, 拧紧螺钉, 安装扣板及扣盒, 对齐锁体, 应使锁舌与之配合顺畅, 拧紧螺钉(如下图: H)。

Separator-lock installation steps:

1. Make sure the incline of the tongue go with the closing direction. When it is necessary to adjust the opening direction of the lock, remove the commutator bar of the inclined tongue, and push the tongue into the lock, rotate 180°. Draw lines and make holes according to the installation specification. (As the picture: A)
2. Place the lock into the hole. Pre-fix the screws of the back veneer. Remove the cover from the locking collar and handle collar. Insert the square bar through the door and into the lock. (As the picture: B-D)
3. Install the inner and outer parts of the handle collar. Make the handle run smoothly, and fix the screws. Install the inner and outer locking collar. (As the picture: E-G)
4. Insert the lock cylinder. Make the key and knob run smoothly. Fix the screws. Install the gusset plate and gusset box, make them parallel to the lock and match the lock tongue. Fix the screws. (As the picture: H)



弗雷系列 Frey Series



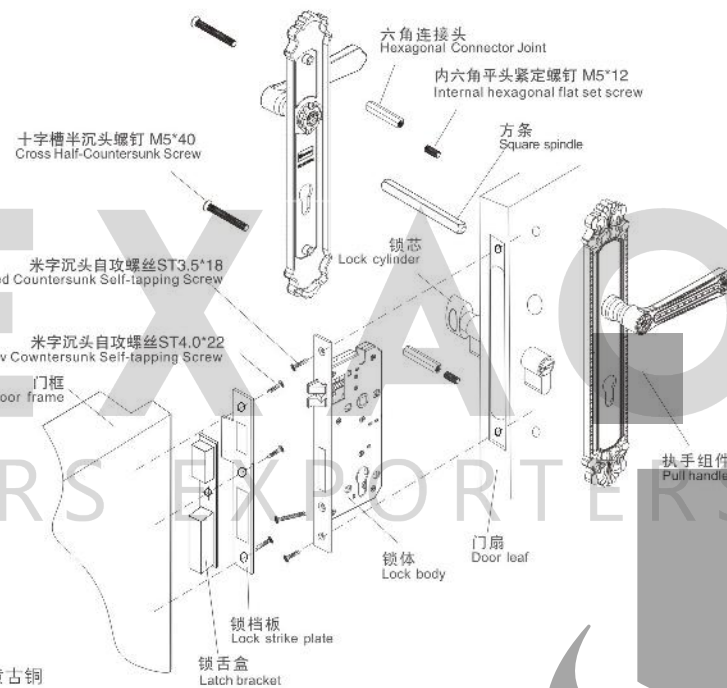
2

TWO 仁德五金  
Lock Hardware  
米兰世界博展五金品牌战略合作伙伴  
STRATEGIC PARTNER OF EXPO2015 MILANO



HD-68741 古典铜大门锁 振光黄古铜  
Gate Door Lock (PLYB)  
(专利号: 201330644070.7)

产品结构图:图例  
Product Structure drawing:drawing sample



PLYB

产品属性	Product Features
表面处理: 振光黄古铜 Finish: PLYB	锁芯: S坑、蛇槽5条黄铜芯 Keys: 5 lines of "s" type pits solid brass key
锁把手材质: 铜 Lever material: Brass	锁面板中心孔距: 210mm Central hole distance of face plate: 210mm
锁面板材质: 铜 Lock strike plate material: Brass	适合门厚: 38-52mm Available door thickness: 38-52mm
锁体: HD-85-50E 独特斜舌活舌设计 Lock Distance: a unique slating tongue design	适合范围: 各种木质门扇 Available for: All kinds of wooden door leaves
锁芯: HD-85-76B 高精度蛇槽锁芯 Lock Cylinder: High security with bending slot	特点: 互开率低 Features: Low interopening

大门锁安装步骤:

1. 确保斜舌斜面与关门方向一致, 当需要调整锁体开门方向时, 向上拨开斜舌换向片, 将斜舌推入锁体后, 旋转180°, 根据安装纸划线开孔(如下图: A)。
2. 将锁体放入孔; 预紧衬板螺钉(如下图: B-C)。
3. 将方杆穿过门板插入锁体(如下图: D)。
4. 安装内外面板, 使把手转动顺畅; 拧紧螺钉(如下图: E-F)。
5. 插入锁芯, 使钥匙及旋钮转动顺畅(如下图: G)。
6. 拧紧螺钉, 安装扣板及扣盒, 对齐锁体, 应使锁舌与之配合顺畅, 拧紧螺钉(如下图: H)。

Gate lock installation steps:

1. Make sure the incline of the tongue go with the closing direction. When it is necessary to adjust the opening direction of the lock, remove the commutator bar of the inclined tongue, and push the tongue into the lock, rotate 180°. Draw lines and make holes according to the installation specification. (As the picture: A)
2. Place the lock into the hole. Pre-fix the screws of the back veneer. (As the picture: B-C)
3. Insert the square bar through the door and into the lock. (As the picture: D)
4. Install the inner and outer plates, making handle run smoothly. (As the picture: E-F)
5. Insert the lock cylinder, making the key and knob run smoothly. (As the picture: G)
6. Screw down the screws, install the gusset plate and gusset box, make them parallel to the lock and match the lock tongue. Fix the screws. (As the picture: H)



欧式古典神话—弗雷

追求完美 收获闪耀的财富

弗雷, 丰饶, 兴旺, 爱情, 和平之神, 也是龙等利铜古典锁, 力感之美身易成双喜, 以臻于完美的工艺精制, 成就闪耀夺目的古典锁, 给生活带来更多的惊喜与财富。

提示: 为保护产品外观和功能, 安装门锁前请将手洗擦干净或带上干净的布料类作业手套。装饰门面时, 特别是门面如贴上海漆, 请将已装好的门锁卸下, 待装修完毕后再装上。  
Attention: In order to protect the lock's surface and function, please wash your hands or wear working gloves when install it. If decorated doors, please take off the lock first, after that, put on it again.

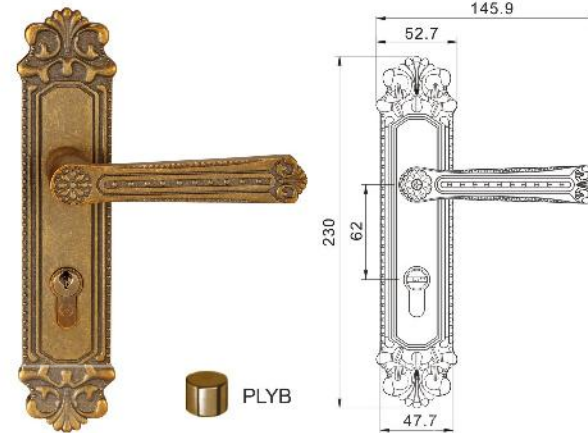
汇泰龙保留在不影响产品使用功能、质量的前提下, 适当改动产品尺寸、外型而不另行通知的权利; 本册所有产品颜色、尺寸误差请以实物为准。

弗雷系列 Frey Series



2

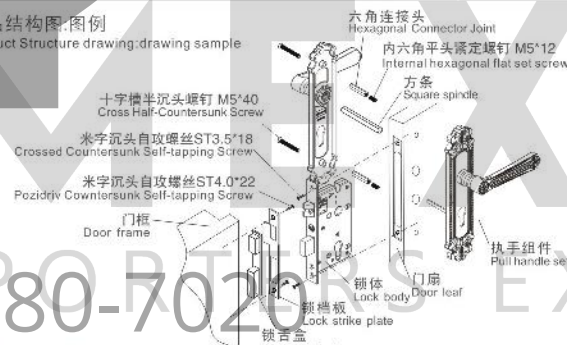
TWO 仁德五金  
Lock Hardware  
米兰世界博展五金品牌战略合作伙伴  
STRATEGIC PARTNER OF EXPO2015 MILANO



HD-68742 古典铜分体锁 振光黄古铜  
Room Door Lock (PLYB)

产品属性	Product Features
表面处理: 振光黄古铜 Finish: PLYB	锁面板中心孔距: 164mm Central hole distance of face plate: 164mm
锁把手材质: 铜 Lever material: Brass	钥匙: S坑、蛇槽5条黄铜芯 Keys: 5 lines of "s" type pits solid brass key
锁面板材质: 铜 Lock strike plate material: Brass	适合门厚: 38-52mm Available door thickness: 38-52mm
锁体: HD-62-50E 锁体 Lock Distance: HD-62-50E	适合范围: 各种木质门扇 Available for: All kinds of wooden door leaves
锁芯: HD-85-76B 高精度蛇槽锁芯 Lock Cylinder: High security with bending slot	特点: 互开率低 Features: Low interopening

产品结构图:图例  
Product Structure drawing:drawing sample

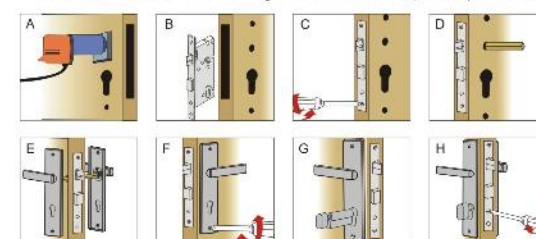


房门锁安装步骤:

1. 确保斜舌斜面与关门方向一致, 当需要调整锁体开门方向时, 向上拨开斜舌换向片, 将斜舌推入锁体后, 旋转180°, 根据安装纸划线开孔(如下图: A)。
2. 将锁体放入孔; 预紧衬板螺钉(如下图: B-C)。
3. 将方杆穿过门板插入锁体(如下图: D)。
4. 安装内外面板, 使把手转动顺畅; 拧紧螺钉(如下图: E-F)。
5. 插入锁芯, 使钥匙及旋钮转动顺畅(如下图: G)。
6. 拧紧螺钉, 安装扣板及扣盒, 对齐锁体, 应使锁舌与之配合顺畅, 拧紧螺钉(如下图: H)。

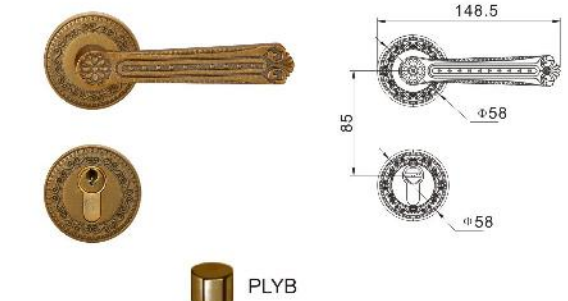
Room lock installation steps:

1. Make sure the incline of the tongue go with the closing direction. When it is necessary to adjust the opening direction of the lock, remove the commutator bar of the inclined tongue, and push the tongue into the lock, rotate 180°. Draw lines and make holes according to the installation specification. (As the picture: A)
2. Place the lock into the hole. Pre-fix the screws of the back veneer. (As the picture: B-C)
3. Insert the square bar through the door and into the lock. (As the picture: D)
4. Install the inner and outer plates, making handle run smoothly. (As the picture: E-F)
5. Insert the lock cylinder, making the key and knob run smoothly. (As the picture: G)
6. Screw down the screws, install the gusset plate and gusset box, make them parallel to the lock and match the lock tongue. Fix the screws. (As the picture: H)



提示: 为保护产品外观和功能, 安装门锁前请将手洗擦干净或带上干净的布料类作业手套。装饰门面时, 特别是门面如贴上海漆, 请将已装好的门锁卸下, 待装修完毕后再装上。  
Attention: In order to protect the lock's surface and function, please wash your hands or wear working gloves when install it. If decorated doors, please take off the lock first, after that, put on it again.

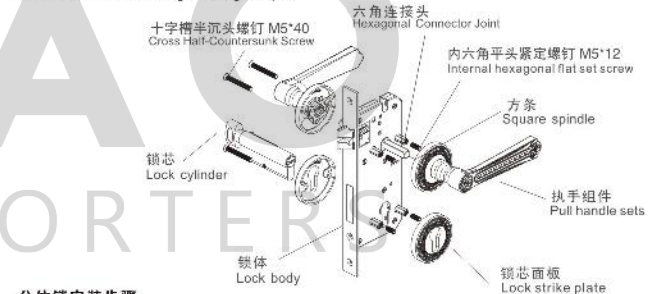
欲了解更多详细资料, 请登陆汇泰龙国际互联网: www.hutlon.com



HD-68742 古典铜分体锁 振光黄古铜 (专利号: 201430085330.6)  
Separator-Lock (PLYB)

产品属性	Product Features
表面处理: 振光黄古铜 Finish: PLYB	锁芯: S坑、蛇槽5条黄铜芯 Keys: 5 lines of "s" type pits solid brass key
锁把手材质: 铜 Lever material: Brass	锁面板中心孔距: 148.5mm Central hole distance of face plate: 148.5mm
锁面板材质: 铜 Lock strike plate material: Brass	适合门厚: 38-52mm Available door thickness: 38-52mm
锁体: HD-85-50E 独特斜舌活舌设计 Lock Distance: a unique slating tongue design	适合范围: 各种木质门扇 Available for: All kinds of wooden door leaves
锁芯: HD-85-76B 高精度蛇槽锁芯 Lock Cylinder: High security with bending slot	特点: 互开率低 Features: Low interopening

产品结构图:图例  
Product Structure drawing:drawing sample

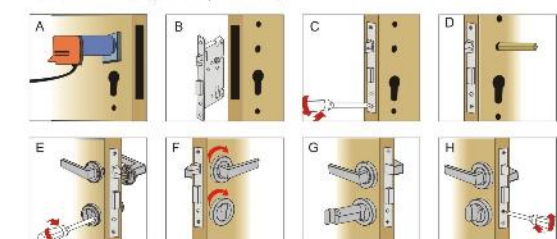


分体锁安装步骤:

1. 确保斜舌斜面与关门方向一致, 当需要调整锁体开门方向时, 向上拨开斜舌换向片, 将斜舌推入锁体后, 旋转180°, 根据安装纸划线开孔(如下图: A)。
2. 将锁体放入孔; 预紧衬板螺钉, 分别从锁圈和把手圈上折出外盖; 将方杆穿过门板插入锁体(如下图: B-D)。
3. 安装内外把手圈, 使把手转动顺畅; 拧紧螺钉, 安装内外锁圈, 插入锁芯(如下图: E-G)。
4. 使钥匙及旋钮转动顺畅, 拧紧螺钉, 安装扣板及扣盒, 对齐锁体, 应使锁舌与之配合顺畅, 拧紧螺钉(如下图: H)。

Separator-lock installation steps:

1. Make sure the incline of the tongue go with the closing direction. When it is necessary to adjust the opening direction of the lock, remove the commutator bar of the inclined tongue, and push the tongue into the lock, rotate 180°. Draw lines and make holes according to the installation specification. (As the picture: A)
2. Place the lock into the hole. Pre-fix the screws of the back veneer. Remove the cover from the locking collar and handle collar. Insert the square bar through the door and into the lock. (As the picture: B-D)
3. Install the inner and outer parts of the handle collar. Make the handle run smoothly, and fix the screws. Install the inner and outer locking collar. (As the picture: E-G)
4. Insert the lock cylinder. Make the key and knob run smoothly. Fix the screws. Install the gusset plate and gusset box. Make them parallel to the lock and match the lock tongue. Fix the screws. (As the picture: H)



提示: 为保护产品外观和功能, 安装门锁前请将手洗擦干净或带上干净的布料类作业手套。装饰门面时, 特别是门面如贴上海漆, 请将已装好的门锁卸下, 待装修完毕后再装上。  
Attention: In order to protect the lock's surface and function, please wash your hands or wear working gloves when install it. If decorated doors, please take off the lock first, after that, put on it again.

爱芙系列 Aphrodite Series



爱芙系列 Aphrodite Series

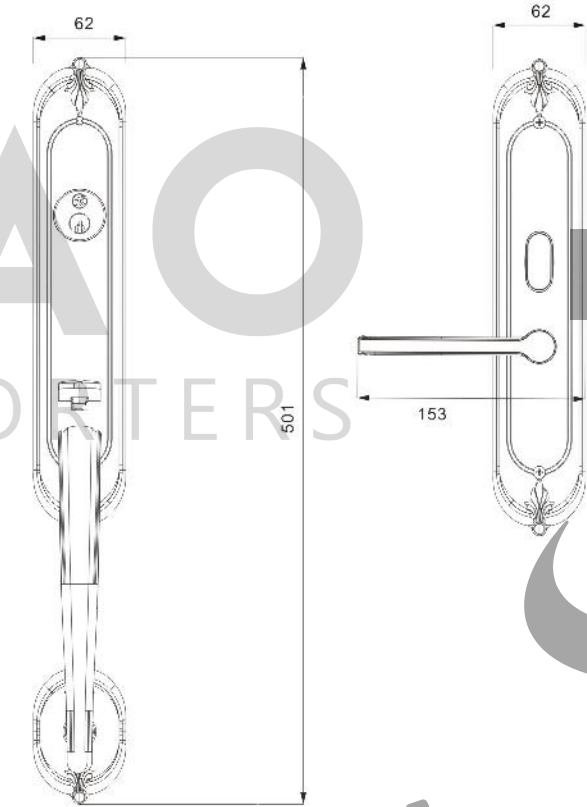


2

TWO 仁德门业  
Lock Hardware  
米兰世界博展余品展战略合作伙伴  
STRATEGIC PARTNER OF EXPO2015 MILANO



产品尺寸图:  
Product size chart



GP PLYB

HD-68509 豪华古典铜大门锁 光金 振光黄古铜  
Pure Brass Deluxe Gate Door Lock (GP PLYB)

产品属性 Product Features	
表面处理: 光金、振光黄古铜 Finish: GP PLYB	钥匙: 6条双排珠白铜钥匙 Keys: 6 pcs of double beads white brass keys
锁把手材质: 铜 Lever material: Brass	适合门厚: 45-60mm Available door thickness: 45-60mm
锁舌板材质: 铜 Lock strike plate material: Brass	适合范围: 各种木质门扇 Available for: All kinds of wooden door leaves
锁体: HD-87-65防撬双锁舌锁体 Lock Body: HD-87-65 Security double latch bolt and lock body	锁卡: 特设有配匙卡 key card: key card is provided
锁芯: HD-87-32-38 电脑双排10粒珠 Lock Cylinder: Computer double 10 beads	特点: 特别防撬、安全、高档、豪华 Features: special security, high class, deluxe
<p>特别提示: 若此门锁安装于左开门扇时, 请向本公司订左开门锁体 Special Notice: If this lock is used in the left-opening door, please order the left-opening lock body from us specially</p>	



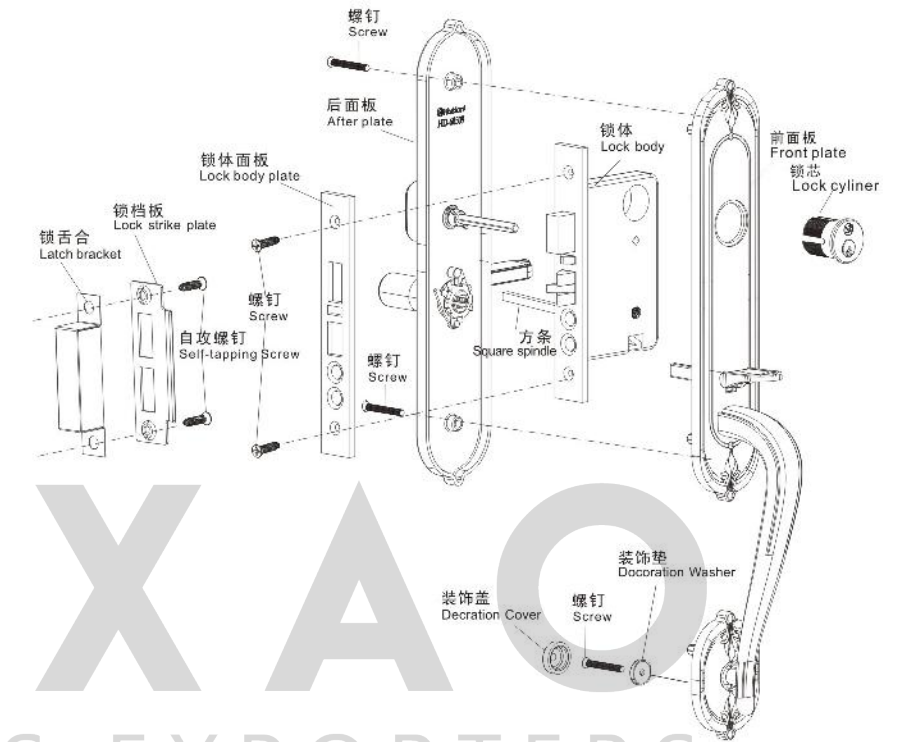
提示: 为保护产品外观和功能, 安装门锁前请将手洗净或带上干净的布料类作业手套。装修门扇时, 特别是门扇如漆上油漆, 请将已装好的门锁卸下, 待装修完后, 再装上。  
Attention: In order to protect the lock's surface and function, please wash your hands or wear working gloves when install it. If decorated doors, please take off the lock first, after that, put on it again.

汇泰龙保留在不影响产品使用功能、质量的前提下, 适当改动产品尺寸、外型而不另行通知的权利; 本册所有产品颜色、尺寸误差请以实物为准。

2

TWO 仁德门业  
Lock Hardware  
米兰世界博展余品展战略合作伙伴  
STRATEGIC PARTNER OF EXPO2015 MILANO

产品结构图: 图例  
Product Structure drawing: drawing sample



安装步骤:  
INSTALLATION STEPS:

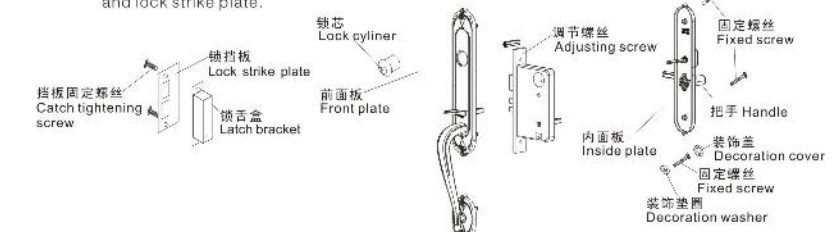
1. 确定开门方向后, 剪下安装纸规, 并按照特定的高度定位在门上, 依照纸规上的定位点及所要求的尺寸在门上做好标记, 按标记在门厚中间凿槽, 从门面上钻孔。
2. 拧松锁体上的螺丝钉移开后面板, 把锁体插入门槽后拧紧螺丝固定, 将圆头螺丝及垫圈从方轴上移走, 将方轴从后面板方向水平插入锁体方形孔及外部, 重新放入垫圈, 并且重新从外部上紧圆头螺丝。

GP PLYB

HD-68509 豪华古典铜大门锁 光金 振光黄古铜  
Pure Brass Deluxe Gate Door Lock (GP PLYB)



3. 安装前面板, 退少许锁头调节螺钉。(以锁头能旋入为准) 使锁头穿过前面板与锁体安装位置对准, 旋转锁头进入, 旋紧螺钉。
4. 安装后面板, 用固定螺丝固定(方舌处于收回状态) 将固定螺丝穿过装饰垫圈拧紧, 旋上装饰盖。
5. 转动把手, 使方舌伸出, 然后上紧锁体面板上螺丝, 安装锁舌板和锁舌盒, 使锁具运动顺畅。



提示: 为保护产品外观和功能, 安装门锁前请将手洗净或带上干净的布料类作业手套。装修门扇时, 特别是门扇如漆上油漆, 请将已装好的门锁卸下, 待装修完后, 再装上。  
Attention: In order to protect the lock's surface and function, please wash your hands or wear working gloves when install it. If decorated doors, please take off the lock first, after that, put on it again.

欲了解更多详细资料, 请登陆汇泰龙国际互联网: [www.hutlon.com](http://www.hutlon.com)

爱芙系列 Aphrodite Series



爱芙系列 Aphrodite Series



2

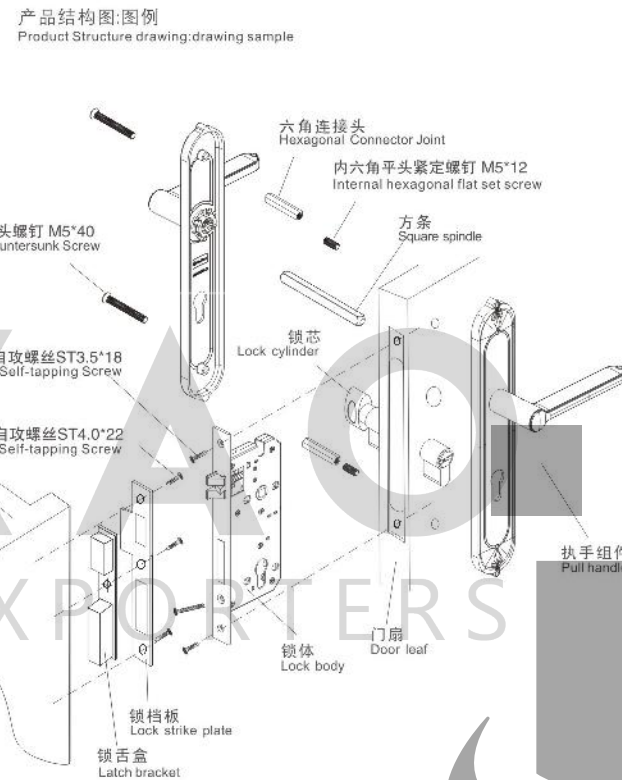
TWO 仁德门业  
Lock Hardware  
米兰世界博展余品展战略合作伙伴  
STRATEGIC PARTNER OF EXPO2015 MILANO

2

TWO 仁德门业  
Lock Hardware  
米兰世界博展余品展战略合作伙伴  
STRATEGIC PARTNER OF EXPO2015 MILANO



HD-68501 古典铜大门锁 光金  
Gate Door Lock (GP)  
(专利号: 201430046963.6) (专利号: 201430047243.1)



产品属性 Product Features	
表面处理:光金 Finish: GP	锁芯: S坑、蛇槽5条黄铜匙 Keys: 5 lines of "s" tyle pits solid brass key
锁把手材质:铜 Lever material: Brass	锁面板中心孔距: 233mm Central hole distance of face plate: 233mm
锁面板材质:铜 Lock strike plate material: Brass	适合门厚: 38-52mm Available door thickness: 38-52mm
锁体: HD-85-50E 独特斜舌活舌设计 Lock Distance: a unique slating tongue design	适合范围: 各种木质门扇 Available for: All kinds of wooden door leaves
锁芯: HD-85-76B 高精度蛇槽锁芯 Lock Cylinder: High security with bending slot	特点: 互开率低 Features: Low interopening

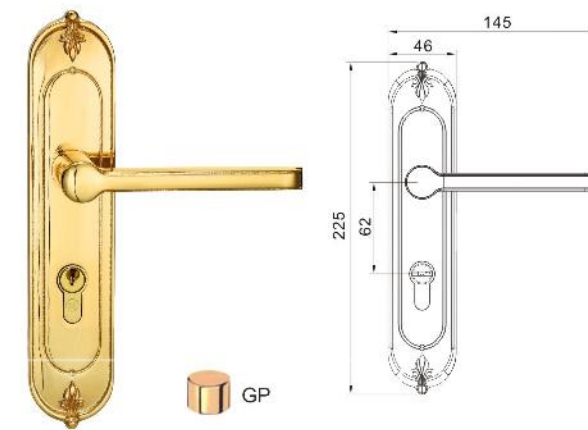
- 大门锁安装步骤:**
1. 确保斜舌斜面与关门方向一致, 当需要调整锁体开门方向时, 向上拨开斜舌换向片, 将斜舌推入锁体后, 旋转180°, 根据安装纸规画线开孔(如下图: A)。
  2. 将锁体放入孔; 预紧衬板螺钉(如下图: B-C)。
  3. 将方杆穿过门板插入锁体(如下图: D)。
  4. 安装内外面板, 使把手转动顺畅; 拧紧螺钉(如下图: E-F)。
  5. 插入锁芯, 使钥匙及旋钮转动顺畅(如下图: G)。
  6. 拧紧螺钉, 安装扣板及扣盒, 对齐锁体, 应使锁舌与之配合顺畅, 拧紧螺钉(如下图: H)。

- Gate lock installation steps:**
1. Make sure the incline of the tongue go with the closing direction. When it is necessary to adjust the opening direction of the lock, remove the commutator bar of the inclined tongue, and push the tongue into the lock, rotate 180°. Draw lines and make holes according to the installation specification. (As the picture: A)
  2. Place the lock into the hole. Pre-fix the screws of the back veneer. (As the picture: B-C)
  3. Insert the square bar through the door and into the lock. (As the picture: D)
  4. Install the inner and outer plates, making handle run smoothly. (As the picture: E-F)
  5. Insert the lock cylinder, making the key and knob run smoothly. (As the picture: G)
  6. Screw down the screws, install the gusset plate and gusset box, make them parallel to the lock and match the lock tongue. Fix the screws. (As the picture: H)



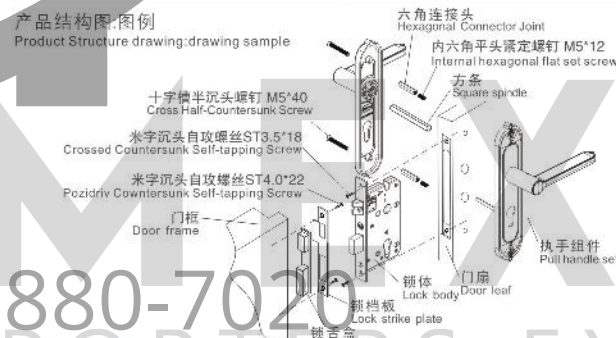
提示: 为保护产品外观和功能, 安装门锁前请将手洗净或戴上干净的布料类作业手套。装饰门面时, 特别是门面如贴油漆, 请将已装好的门锁卸下, 待装修完毕后再装上。  
Attention: In order to protect the lock's surface and function, please wash your hands or wear working gloves when install it. If decorated doors, please take off the lock first, after that, put on it again.

汇泰龙保留在不影响产品使用功能、质量的前提下, 适当改动产品尺寸、外型而不另行通知的权利; 本册所有产品颜色、尺寸误差请以实物为准。



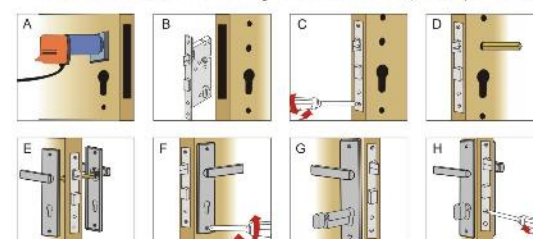
HD-68505 古典铜房门锁 光金  
Room Door Lock (GP)

产品属性 Product Features	
表面处理:光金 Finish: GP	锁面板中心孔距: 162mm Central hole distance of face plate: 162mm
锁把手材质:铜 Lever material: Brass	锁芯: S坑、蛇槽5条黄铜匙 Keys: 5 lines of "s" tyle pits solid brass key
锁面板材质:铜 Lock strike plate material: Brass	适合门厚: 38-52mm Available door thickness: 38-52mm
锁体: HD-62-50E 锁体 Lock Distance: HD-62-50E	适合范围: 各种木质门扇 Available for: All kinds of wooden door leaves
锁芯: HD-85-76B 高精度蛇槽锁芯 Lock Cylinder: High security with bending slot	特点: 互开率低 Features: Low interopening



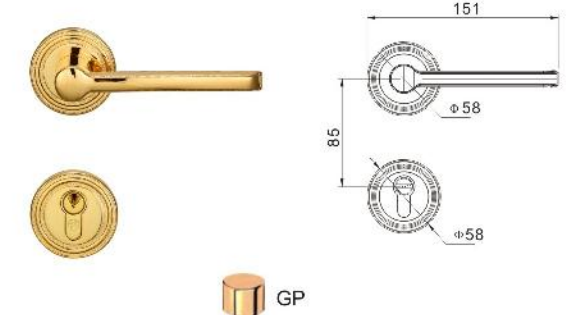
- 房门锁安装步骤:**
1. 确保斜舌斜面与关门方向一致, 当需要调整锁体开门方向时, 向上拨开斜舌换向片, 将斜舌推入锁体后, 旋转180°, 根据安装纸规画线开孔(如下图: A)。
  2. 将锁体放入孔; 预紧衬板螺钉(如下图: B-C)。
  3. 将方杆穿过门板插入锁体(如下图: D)。
  4. 安装内外面板, 使把手转动顺畅; 拧紧螺钉(如下图: E-F)。
  5. 插入锁芯, 使钥匙及旋钮转动顺畅(如下图: G)。
  6. 拧紧螺钉, 安装扣板及扣盒, 对齐锁体, 应使锁舌与之配合顺畅, 拧紧螺钉(如下图: H)。

- Room lock installation steps:**
1. Make sure the incline of the tongue go with the closing direction. When it is necessary to adjust the opening direction of the lock, remove the commutator bar of the inclined tongue, and push the tongue into the lock, rotate 180°. Draw lines and make holes according to the installation specification. (As the picture: A)
  2. Place the lock into the hole. Pre-fix the screws of the back veneer. (As the picture: B-C)
  3. Insert the square bar through the door and into the lock. (As the picture: D)
  4. Install the inner and outer plates, making handle run smoothly. (As the picture: E-F)
  5. Insert the lock cylinder, making the key and knob run smoothly. (As the picture: G)
  6. Screw down the screws, install the gusset plate and gusset box, make them parallel to the lock and match the lock tongue. Fix the screws. (As the picture: H)



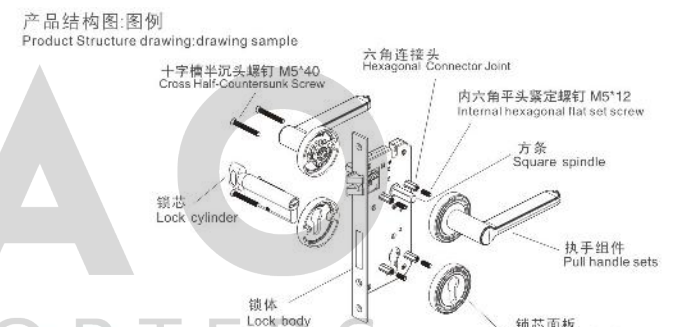
提示: 为保护产品外观和功能, 安装门锁前请将手洗净或戴上干净的布料类作业手套。装饰门面时, 特别是门面如贴油漆, 请将已装好的门锁卸下, 待装修完毕后再装上。  
Attention: In order to protect the lock's surface and function, please wash your hands or wear working gloves when install it. If decorated doors, please take off the lock first, after that, put on it again.

欲了解更多详细资料, 请登陆汇泰龙国际互联网: www.hutlon.com



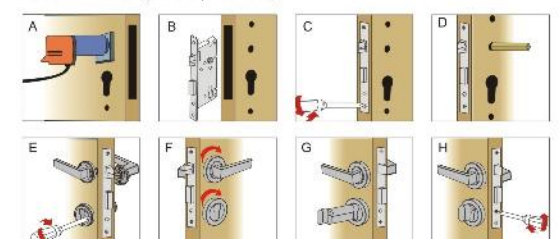
HD-68502 古典铜分体锁 光金 (专利号: 201430046963.6)  
Separator-Lock (GP) (专利号: 201430085644.6)

产品属性 Product Features	
表面处理:光金 Finish: GP	锁芯: S坑、蛇槽5条黄铜匙 Keys: 5 lines of "s" tyle pits solid brass key
锁把手材质:铜 Lever material: Brass	锁面板中心孔距: 151mm Central hole distance of face plate: 151mm
锁面板材质:铜 Lock strike plate material: Brass	适合门厚: 38-52mm Available door thickness: 38-52mm
锁体: HD-85-50E 独特斜舌活舌设计 Lock Distance: a unique slating tongue design	适合范围: 各种木质门扇 Available for: All kinds of wooden door leaves
锁芯: HD-85-76B 高精度蛇槽锁芯 Lock Cylinder: High security with bending slot	特点: 互开率低 Features: Low interopening



- 分体锁安装步骤:**
1. 确保斜舌斜面与关门方向一致, 当需要调整锁体开门方向时, 向上拨开斜舌换向片, 将斜舌推入锁体后, 旋转180°, 根据安装纸规画线开孔(如下图: A)。
  2. 将锁体放入孔; 预紧衬板螺钉, 分别从锁圈和执手圈上折出外盖; 将方杆穿过门板插入锁体(如下图: B-D)。
  3. 安装内外执手圈, 使把手转动顺畅, 拧紧螺钉, 安装内外锁圈, 插入锁芯(如下图: E-G)。
  4. 使锁圈及旋钮转动顺畅, 拧紧螺钉, 安装扣板及扣盒, 对齐锁体, 应使锁舌与之配合顺畅, 拧紧螺钉(如下图: H)。

- Separator-lock installation steps:**
1. Make sure the incline of the tongue go with the closing direction. When it is necessary to adjust the opening direction of the lock, remove the commutator bar of the inclined tongue, and push the tongue into the lock, rotate 180°. Draw lines and make holes according to the installation specification. (As the picture: A)
  2. Place the lock into the hole. Pre-fix the screws of the back veneer. Remove the cover from the locking collar and handle collar. Insert the square bar through the door and into the lock. (As the picture: B-D)
  3. Install the inner and outer parts of the handle collar. Make the handle run smoothly, and fix the screws. Install the inner and outer locking collar. (As the picture: E-G)
  4. Insert the lock cylinder. Make the key and knob run smoothly. Fix the screws. Install the gusset plate and gusset box, make them parallel to the lock and match the lock tongue. Fix the screws. (As the picture: H)



提示: 为保护产品外观和功能, 安装门锁前请将手洗净或戴上干净的布料类作业手套。装饰门面时, 特别是门面如贴油漆, 请将已装好的门锁卸下, 待装修完毕后再装上。  
Attention: In order to protect the lock's surface and function, please wash your hands or wear working gloves when install it. If decorated doors, please take off the lock first, after that, put on it again.

爱芙系列 Aphrodite Series

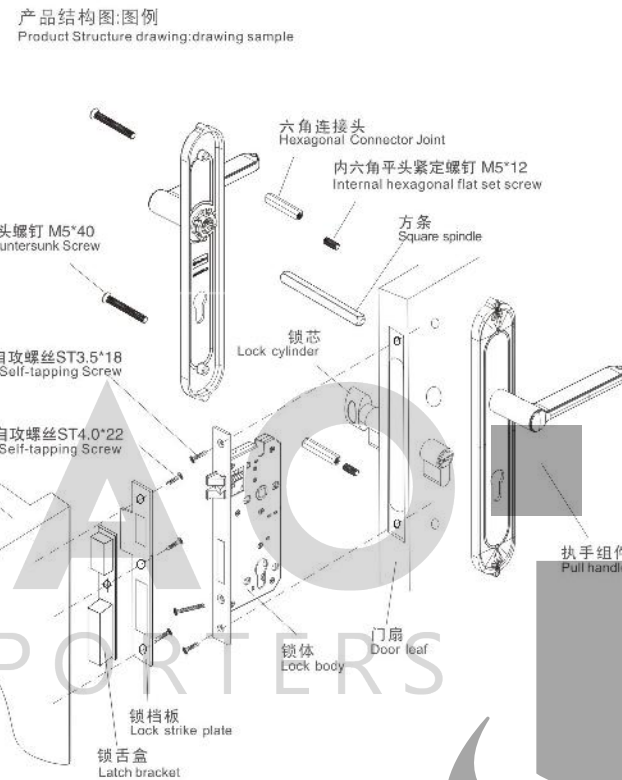
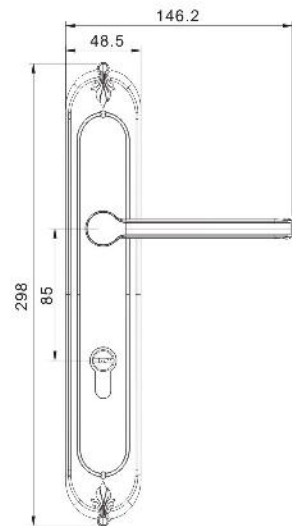


2

TWO 仁德门业  
Lock Hardware  
米兰世界博览会品牌战略合作伙伴  
STRATEGIC PARTNER OF EXPO2015 MILANO



HD-68501 古典铜大门锁 振光黄古铜  
Gate Door Lock (PLYB)  
(专利号: 201430046963.6) (专利号: 201430047243.1)



产品属性 Product Features	
表面处理: 振光黄古铜 Finish: PLYB	锁芯: S坑、蛇槽5条黄铜匙 Keys: 5 lines of "s" tyle pits solid brass key
锁把手材质: 铜 Lever material: Brass	锁面板中心孔距: 233mm Central hole distance of face plate: 233mm
锁面板材质: 铜 Lock strike plate material: Brass	适合门厚: 38-52mm Available door thickness: 38-52mm
锁体: HD-85-50E 独特斜舌活舌设计 Lock Distance: a unique slating tongue design	适合范围: 各种木质门扇 Available for: All kinds of wooden door leaves
锁芯: HD-85-76B 高精度蛇槽锁芯 Lock Cylinder: High security with bending slot	特点: 互开率低 Features: Low interopening

- 大门锁安装步骤:**
1. 确保斜舌斜面与关门方向一致, 当需要调整锁体开门方向时, 向上拨开斜舌换向片, 将斜舌推入锁体后, 旋转180°, 根据安装纸规画线开孔(如下图: A)。
  2. 将锁体放入孔; 预紧衬板螺钉(如下图: B-C)。
  3. 将方杆穿过门板插入锁体(如下图: D)。
  4. 安装内外面板, 使把手转动顺畅; 拧紧螺钉(如下图: E-F)。
  5. 插入锁芯, 使钥匙及旋钮转动顺畅(如下图: G)。
  6. 拧紧螺钉, 安装扣板及扣盒, 对齐锁体, 应使锁舌与之配合顺畅, 拧紧螺钉(如下图: H)。

- Gate lock installation steps:**
1. Make sure the incline of the tongue go with the closing direction. When it is necessary to adjust the opening direction of the lock, remove the commutator bar of the inclined tongue, and push the tongue into the lock, rotate 180°. Draw lines and make holes according to the installation specification. (As the picture: A)
  2. Place the lock into the hole. Pre-fix the screws of the back veneer. (As the picture: B-C)
  3. Insert the square bar through the door and into the lock. (As the picture: D)
  4. Install the inner and outer plates, making handle run smoothly. (As the picture: E-F)
  5. Insert the lock cylinder, making the key and knob run smoothly. (As the picture: G)
  6. Screw down the screws, install the gusset plate and gusset box, make them parallel to the lock and match the lock tongue. Fix the screws. (As the picture: H)



欧式古典神话—爱芙  
华美之思 定义至美崇高象征

爱芙, 象征爱情与女性的美丽, 是女性优雅的最高象征, 亦是女神和古典神话, 源于古典艺术的灵感, 设计师将爱芙的美作为外观设计的灵感, 并将古典人体美学融入雕刻工艺, 打造一从优雅的高贵生活情调。

提示: 为保护产品外观和功能, 安装门锁前请将手洗净或戴上干净的布料类作业手套。装饰门面时, 特别是门面如漆上油漆, 请将已装好的门锁卸下, 待装修完毕后再装上。  
Attention: In order to protect the lock's surface and function, please wash your hands or wear working gloves when install it. If decorated doors, please take off the lock first, after that, put on it again.

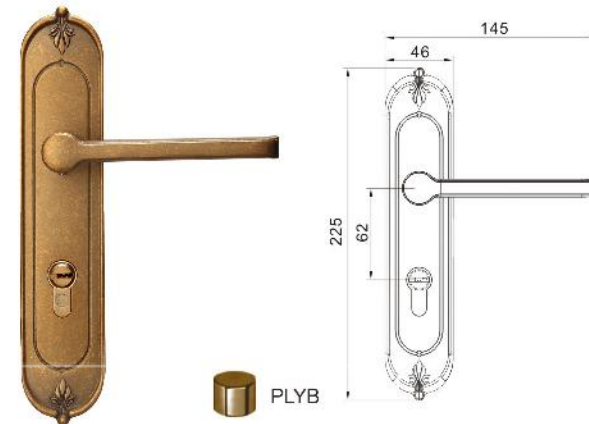
汇泰龙保留在不影响产品使用功能、质量的前提下, 适当改动产品尺寸、外型而不另行通知的权利; 本册所有产品颜色、尺寸误差请以实物为准。

爱芙系列 Aphrodite Series



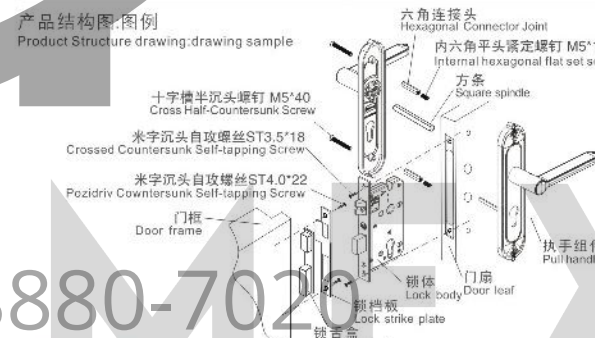
2

TWO 仁德门业  
Lock Hardware  
米兰世界博览会品牌战略合作伙伴  
STRATEGIC PARTNER OF EXPO2015 MILANO



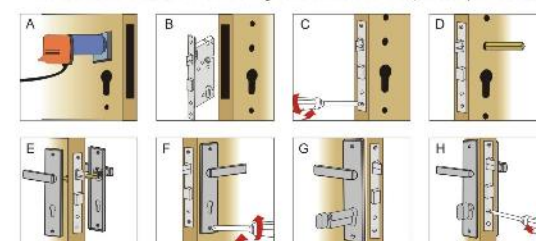
HD-68505 古典铜房门锁 振光黄古铜  
Room Door Lock (PLYB)

产品属性 Product Features	
表面处理: 振光黄古铜 Finish: PLYB	锁面板中心孔距: 162mm Central hole distance of face plate: 162mm
锁把手材质: 铜 Lever material: Brass	锁芯: S坑、蛇槽5条黄铜匙 Keys: 5 lines of "s" tyle pits solid brass key
锁面板材质: 铜 Lock strike plate material: Brass	适合门厚: 38-52mm Available door thickness: 38-52mm
锁体: HD-62-50E 锁体 Lock Distance: HD-62-50E	适合范围: 各种木质门扇 Available for: All kinds of wooden door leaves
锁芯: HD-85-76B 高精度蛇槽锁芯 Lock Cylinder: High security with bending slot	特点: 互开率低 Features: Low interopening



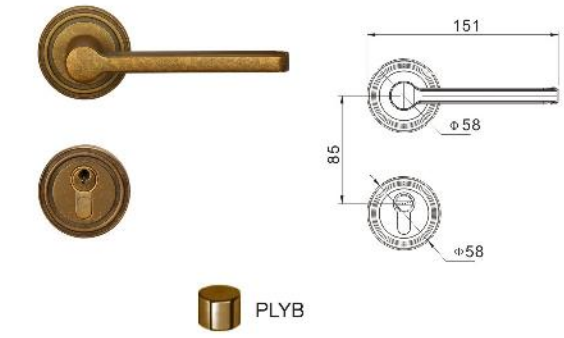
- 房门锁安装步骤:**
1. 确保斜舌斜面与关门方向一致, 当需要调整锁体开门方向时, 向上拨开斜舌换向片, 将斜舌推入锁体后, 旋转180°, 根据安装纸规画线开孔(如下图: A)。
  2. 将锁体放入孔; 预紧衬板螺钉(如下图: B-C)。
  3. 将方杆穿过门板插入锁体(如下图: D)。
  4. 安装内外面板, 使把手转动顺畅; 拧紧螺钉(如下图: E-F)。
  5. 插入锁芯, 使钥匙及旋钮转动顺畅(如下图: G)。
  6. 拧紧螺钉, 安装扣板及扣盒, 对齐锁体, 应使锁舌与之配合顺畅, 拧紧螺钉(如下图: H)。

- Room lock installation steps:**
1. Make sure the incline of the tongue go with the closing direction. When it is necessary to adjust the opening direction of the lock, remove the commutator bar of the inclined tongue, and push the tongue into the lock, rotate 180°. Draw lines and make holes according to the installation specification. (As the picture: A)
  2. Place the lock into the hole. Pre-fix the screws of the back veneer. (As the picture: B-C)
  3. Insert the square bar through the door and into the lock. (As the picture: D)
  4. Install the inner and outer plates, making handle run smoothly. (As the picture: E-F)
  5. Insert the lock cylinder, making the key and knob run smoothly. (As the picture: G)
  6. Screw down the screws, install the gusset plate and gusset box, make them parallel to the lock and match the lock tongue. Fix the screws. (As the picture: H)



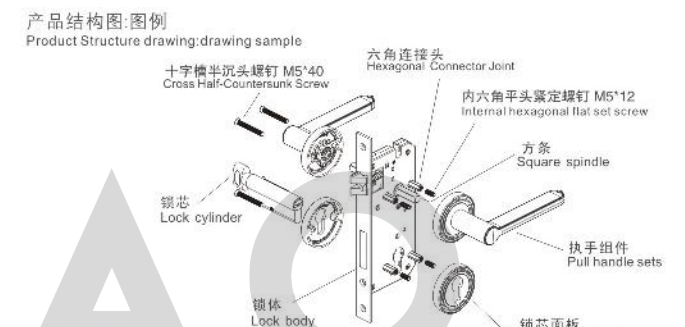
提示: 为保护产品外观和功能, 安装门锁前请将手洗净或戴上干净的布料类作业手套。装饰门面时, 特别是门面如漆上油漆, 请将已装好的门锁卸下, 待装修完毕后再装上。  
Attention: In order to protect the lock's surface and function, please wash your hands or wear working gloves when install it. If decorated doors, please take off the lock first, after that, put on it again.

欲了解更多详细资料, 请登陆汇泰龙国际互联网: www.hutlon.com



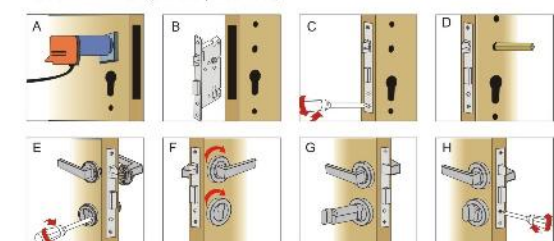
HD-68502 古典铜分体锁 振光黄古铜 (专利号: 201430046963.6)  
Separator-Lock (PLYB) (专利号: 201430085644.6)

产品属性 Product Features	
表面处理: 振光黄古铜 Finish: PLYB	锁芯: S坑、蛇槽5条黄铜匙 Keys: 5 lines of "s" tyle pits solid brass key
锁把手材质: 铜 Lever material: Brass	锁面板中心孔距: 151mm Central hole distance of face plate: 151mm
锁面板材质: 铜 Lock strike plate material: Brass	适合门厚: 38-52mm Available door thickness: 38-52mm
锁体: HD-85-50E 独特斜舌活舌设计 Lock Distance: a unique slating tongue design	适合范围: 各种木质门扇 Available for: All kinds of wooden door leaves
锁芯: HD-85-76B 高精度蛇槽锁芯 Lock Cylinder: High security with bending slot	特点: 互开率低 Features: Low interopening



- 分体锁安装步骤:**
1. 确保斜舌斜面与关门方向一致, 当需要调整锁体开门方向时, 向上拨开斜舌换向片, 将斜舌推入锁体后, 旋转180°, 根据安装纸规画线开孔(如下图: A)。
  2. 将锁体放入孔; 预紧衬板螺钉, 分别从锁圈和把手圈上折出外盖; 将方杆穿过门板插入锁体(如下图: B-D)。
  3. 安装内外把手圈, 使把手转动顺畅; 拧紧螺钉, 安装内外锁圈, 插入锁芯(如下图: E-G)。
  4. 使锁圈及旋钮转动顺畅, 拧紧螺钉, 安装扣板及扣盒, 对齐锁体, 应使锁舌与之配合顺畅, 拧紧螺钉(如下图: H)。

- Separator-lock installation steps:**
1. Make sure the incline of the tongue go with the closing direction. When it is necessary to adjust the opening direction of the lock, remove the commutator bar of the inclined tongue, and push the tongue into the lock, rotate 180°. Draw lines and make holes according to the installation specification. (As the picture: A)
  2. Place the lock into the hole. Pre-fix the screws of the back veneer. Remove the cover from the locking collar and handle collar. Insert the square bar through the door and into the lock. (As the picture: B-D)
  3. Install the inner and outer parts of the handle collar. Make the handle run smoothly, and fix the screws. Install the inner and outer locking collar. (As the picture: E-G)
  4. Insert the lock cylinder. Make the key and knob run smoothly. Fix the screws. Install the gusset plate and gusset box, make them parallel to the lock and match the lock tongue. Fix the screws. (As the picture: H)



提示: 为保护产品外观和功能, 安装门锁前请将手洗净或戴上干净的布料类作业手套。装饰门面时, 特别是门面如漆上油漆, 请将已装好的门锁卸下, 待装修完毕后再装上。  
Attention: In order to protect the lock's surface and function, please wash your hands or wear working gloves when install it. If decorated doors, please take off the lock first, after that, put on it again.

雅典娜系列 Athena Series



雅典娜系列 Athena Series



2

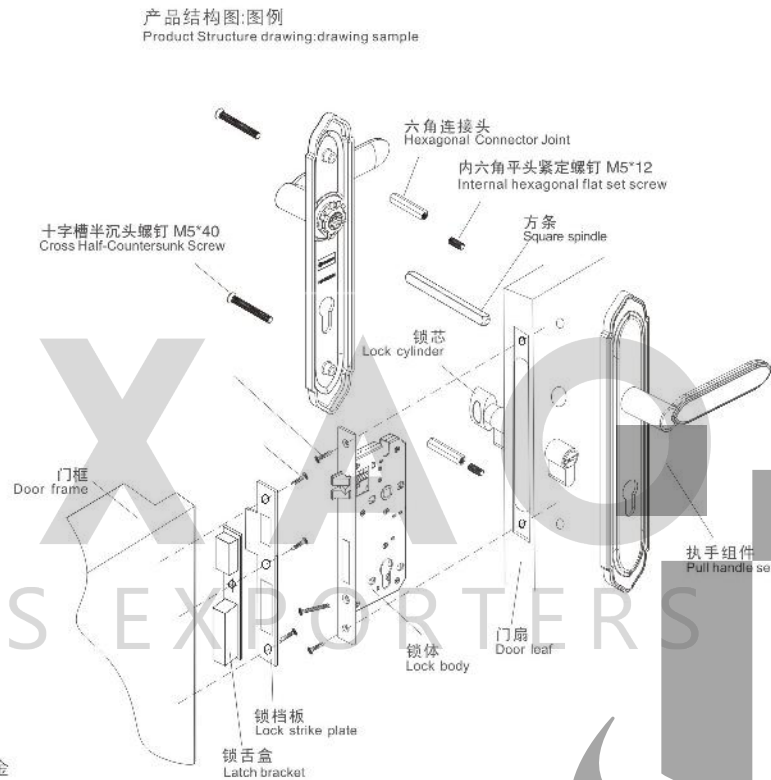
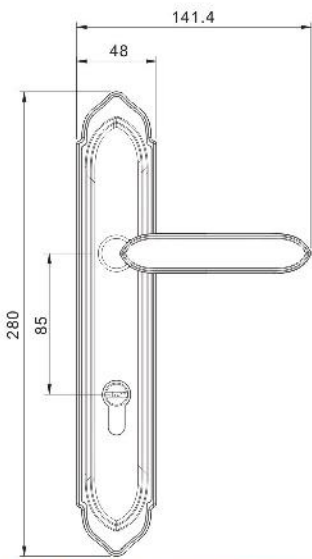
TWO 仁德门业  
Lock Hardware  
米兰世界博览会品牌战略合作伙伴  
STRATEGIC PARTNER OF EXPO2015 MILANO

2

TWO 仁德门业  
Lock Hardware  
米兰世界博览会品牌战略合作伙伴  
STRATEGIC PARTNER OF EXPO2015 MILANO



HD-68511 古典铜大门锁 光金  
Gate Door Lock (GP)  
(专利号:201430047242.7) (专利号:201430046962.1)



产品属性 Product Features	
表面处理: 光金 Finish: GP	锁面中心孔距: 200mm Central hole distance of face plate: 200mm
锁把手材质: 铜 Lever material: Brass	锁芯: S-坑、蛇槽5条黄铜匙 Keys: 5 lines of "s" type pits solid brass key
锁面板材质: 铜 Lock strike plate material: Brass	适合门厚: 38-52mm Available door thickness: 38-52mm
锁体: HD-85-50E 独特斜活舌设计 Lock Distance: a unique slating tongue design	适合范围: 各种木质门扇 Available for: All kinds of wooden door leaves
锁芯: HD-85-76B 高精度蛇槽锁芯 Lock Cylinder: High security with bending slot	特点: 互开率低 Features: Low interopening

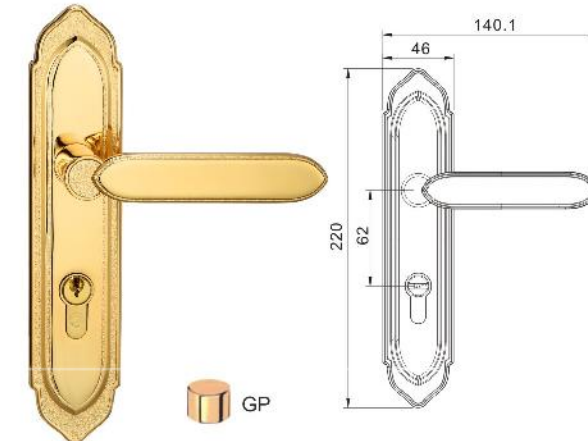
- 大门锁安装步骤:**
1. 确保斜舌斜面与关门方向一致, 当需要调整锁体开门方向时, 向上拨开斜舌换向片, 将斜舌推入锁体后, 旋转180°, 根据安装纸规画线开孔(如下图: A)。
  2. 将锁体放入孔; 预紧衬板螺钉(如下图: B-C)。
  3. 将方杆穿过门板插入锁体(如下图: D)。
  4. 安装内外面板, 使把手转动顺畅; 拧紧螺钉(如下图: E-F)。
  5. 插入锁芯, 使钥匙及旋钮转动顺畅(如下图: G)。
  6. 拧紧螺钉, 安装扣板及扣盒, 对齐锁体, 应使锁舌与之配合顺畅, 拧紧螺钉(如下图: H)。

- Gate lock installation steps:**
1. Make sure the incline of the tongue go with the closing direction. When it is necessary to adjust the opening direction of the lock, remove the commutator bar of the inclined tongue, and push the tongue into the lock, rotate 180°. Draw lines and make holes according to the installation specification. (As the picture: A)
  2. Place the lock into the hole. Pre-fix the screws of the back veneer. (As the picture: B-C)
  3. Insert the square bar through the door and into the lock. (As the picture: D)
  4. Install the inner and outer plates, making handle run smoothly. (As the picture: E-F)
  5. Insert the lock cylinder, making the key and knob run smoothly. (As the picture: G)
  6. Screw down the screws, install the gusset plate and gusset box, make them parallel to the lock and match the lock tongue. Fix the screws. (As the picture: H)



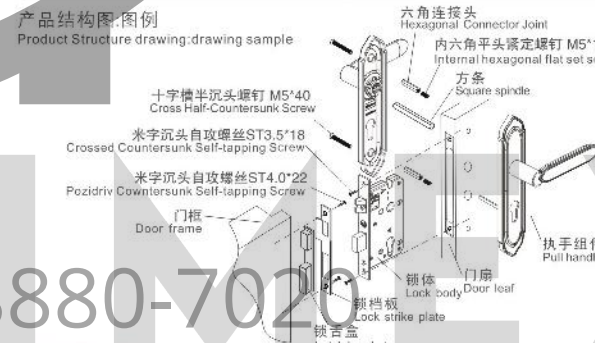
提示: 为保护产品外观和功能, 安装前请将手洗净或戴上干净的布料作业手套。装饰门扇时, 特别是门扇如漆上油漆, 请将已装好的门锁卸下, 待装修完毕后再装上。  
Attention: In order to protect the lock's surface and function, please wash your hands or wear working gloves when install it. If decorated doors, please take off the lock first, after that, put on it again.

汇泰龙保留在不影响产品使用功能、质量的前提下, 适当改动产品尺寸、外型而不另行通知的权利; 本册所有产品颜色、尺寸误差请以实物为准。



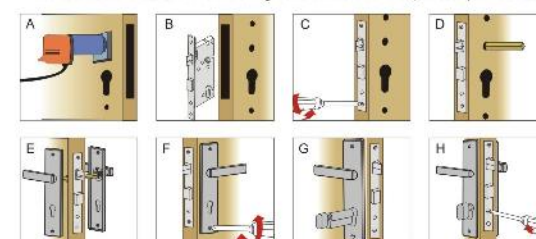
HD-68515 古典铜房门锁 光金  
Room Door Lock (GP)

产品属性 Product Features	
表面处理: 光金 Finish: GP	锁面中心孔距: 150mm Central hole distance of face plate: 150mm
锁把手材质: 铜 Lever material: Brass	锁芯: S-坑、蛇槽5条黄铜匙 Keys: 5 lines of "s" type pits solid brass key
锁面板材质: 铜 Lock strike plate material: Brass	适合门厚: 38-52mm Available door thickness: 38-52mm
锁体: HD-62-50E 锁体 Lock Distance: HD-62-50E	适合范围: 各种木质门扇 Available for: All kinds of wooden door leaves
锁芯: HD-85-76B 高精度蛇槽锁芯 Lock Cylinder: High security with bending slot	特点: 互开率低 Features: Low interopening



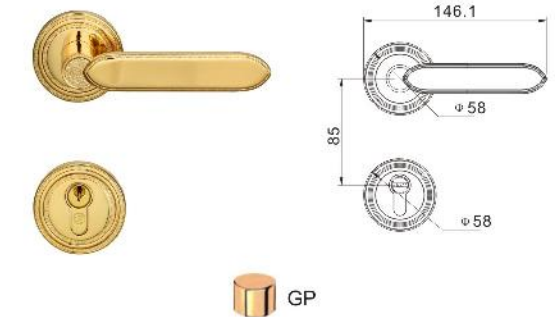
- 房门锁安装步骤:**
1. 确保斜舌斜面与关门方向一致, 当需要调整锁体开门方向时, 向上拨开斜舌换向片, 将斜舌推入锁体后, 旋转180°, 根据安装纸规画线开孔(如下图: A)。
  2. 将锁体放入孔; 预紧衬板螺钉(如下图: B-C)。
  3. 将方杆穿过门板插入锁体(如下图: D)。
  4. 安装内外面板, 使把手转动顺畅; 拧紧螺钉(如下图: E-F)。
  5. 插入锁芯, 使钥匙及旋钮转动顺畅(如下图: G)。
  6. 拧紧螺钉, 安装扣板及扣盒, 对齐锁体, 应使锁舌与之配合顺畅, 拧紧螺钉(如下图: H)。

- Room lock installation steps:**
1. Make sure the incline of the tongue go with the closing direction. When it is necessary to adjust the opening direction of the lock, remove the commutator bar of the inclined tongue, and push the tongue into the lock, rotate 180°. Draw lines and make holes according to the installation specification. (As the picture: A)
  2. Place the lock into the hole. Pre-fix the screws of the back veneer. (As the picture: B-C)
  3. Insert the square bar through the door and into the lock. (As the picture: D)
  4. Install the inner and outer plates, making handle run smoothly. (As the picture: E-F)
  5. Insert the lock cylinder, making the key and knob run smoothly. (As the picture: G)
  6. Screw down the screws, install the gusset plate and gusset box, make them parallel to the lock and match the lock tongue. Fix the screws. (As the picture: H)



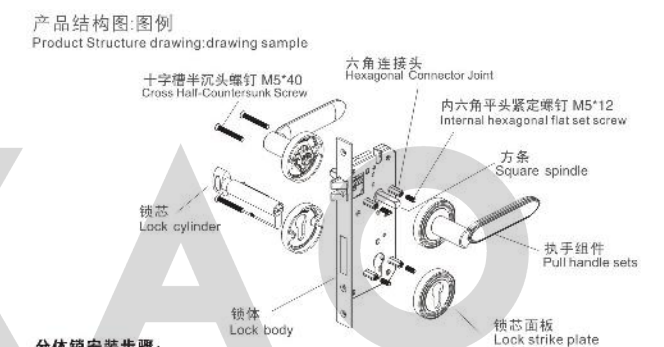
提示: 为保护产品外观和功能, 安装前请将手洗净或戴上干净的布料作业手套。装饰门扇时, 特别是门扇如漆上油漆, 请将已装好的门锁卸下, 待装修完毕后再装上。  
Attention: In order to protect the lock's surface and function, please wash your hands or wear working gloves when install it. If decorated doors, please take off the lock first, after that, put on it again.

欲了解更多详细资料, 请登陆汇泰龙国际互联网: www.hutlon.com



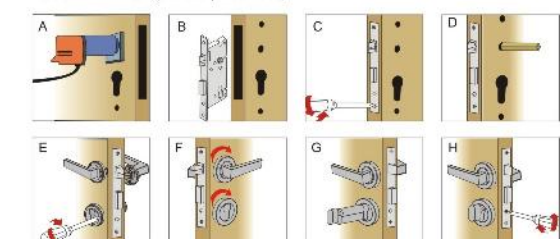
HD-68512 古典铜分体锁 光金  
Separator-Lock (GP)  
(专利号:201430047242.7) (专利号:201430085644.6)

产品属性 Product Features	
表面处理: 光金 Finish: GP	锁面中心孔距: 150mm Central hole distance of face plate: 150mm
锁把手材质: 铜 Lever material: Brass	锁芯: S-坑、蛇槽5条黄铜匙 Keys: 5 lines of "s" type pits solid brass key
锁面板材质: 铜 Lock strike plate material: Brass	适合门厚: 38-52mm Available door thickness: 38-52mm
锁体: HD-85-50E 独特斜活舌设计 Lock Distance: a unique slating tongue design	适合范围: 各种木质门扇 Available for: All kinds of wooden door leaves
锁芯: HD-85-76B 高精度蛇槽锁芯 Lock Cylinder: High security with bending slot	特点: 互开率低 Features: Low interopening



- 分体锁安装步骤:**
1. 确保斜舌斜面与关门方向一致, 当需要调整锁体开门方向时, 向上拨开斜舌换向片, 将斜舌推入锁体后, 旋转180°, 根据安装纸规画线开孔(如下图: A)。
  2. 将锁体放入孔; 预紧衬板螺钉, 分别从锁圈和执手圈上拆出外壳; 将方杆穿过门板插入锁体(如下图: B-D)。
  3. 安装内外把手圈, 使把手转动顺畅; 拧紧螺钉, 安装内外圈, 插入锁芯(如下图: E-G)。
  4. 使钥匙及旋钮转动顺畅, 拧紧螺钉, 安装扣板及扣盒, 对齐锁体, 应使锁舌与之配合顺畅, 拧紧螺钉(如下图: H)。

- Separator-lock installation steps:**
1. Make sure the incline of the tongue go with the closing direction. When it is necessary to adjust the opening direction of the lock, remove the commutator bar of the inclined tongue, and push the tongue into the lock, rotate 180°. Draw lines and make holes according to the installation specification. (As the picture: A)
  2. Place the lock into the hole. Pre-fix the screws of the back veneer. Remove the cover from the locking collar and handle collar. Insert the square bar through the door and into the lock. (As the picture: B-D)
  3. Install the inner and outer parts of the handle collar. Make the handle run smoothly, and fix the screws. Install the inner and outer locking collar. (As the picture: E-G)
  4. Insert the lock cylinder. Make the key and knob run smoothly. Fix the screws. Install the gusset plate and gusset box, make them parallel to the lock and match the lock tongue. Fix the screws. (As the picture: H)



提示: 为保护产品外观和功能, 安装前请将手洗净或戴上干净的布料作业手套。装饰门扇时, 特别是门扇如漆上油漆, 请将已装好的门锁卸下, 待装修完毕后再装上。  
Attention: In order to protect the lock's surface and function, please wash your hands or wear working gloves when install it. If decorated doors, please take off the lock first, after that, put on it again.

雅典娜系列 Athena Series



雅典娜系列 Athena Series



2

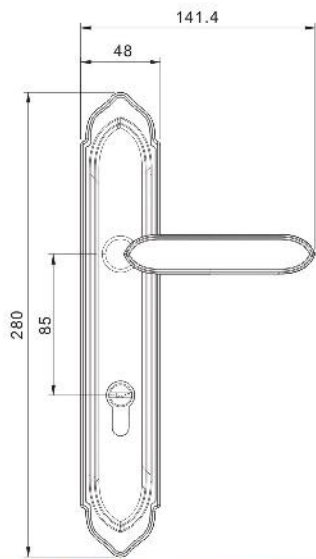
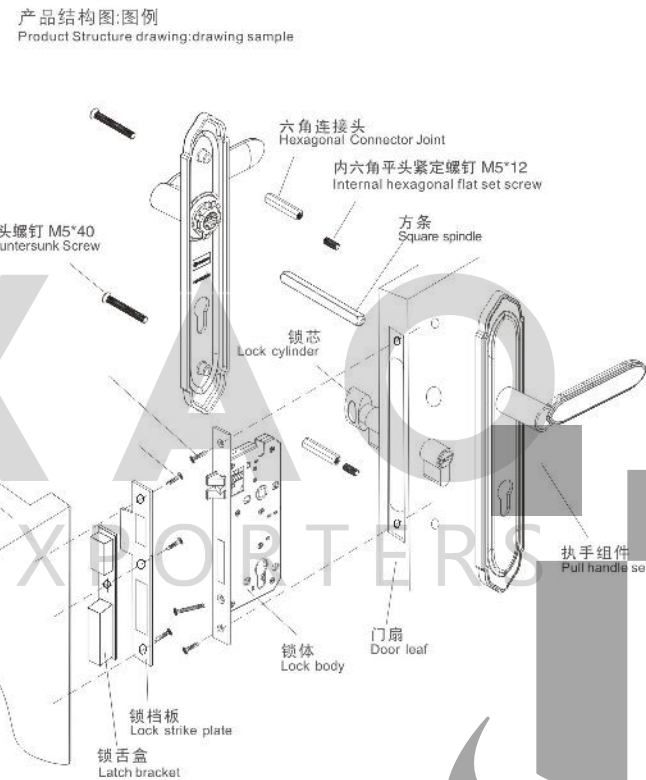
TWO 仁德五金  
Lock Hardware  
米兰世界博覽會金牌展銷合作夥伴  
STRATEGIC PARTNER OF EXPO2015 MILANO

2

TWO 仁德五金  
Lock Hardware  
米兰世界博覽會金牌展銷合作夥伴  
STRATEGIC PARTNER OF EXPO2015 MILANO



HD-68511 古典铜大门锁 振光黄古铜  
Gate Door Lock (PLYB)  
(专利号:201430047242.7) (专利号:201430046962.1)



产品属性 Product Features	
表面处理: 振光黄古铜 Finish: PLYB	锁芯: S坑、蛇槽5条黄铜匙 Keys: 5 lines of "s" tyle pits solid brass key
锁把手材质: 铜 Lever material: Brass	锁面板中心孔距: 200mm Central hole distance of face plate: 200mm
锁面板材质: 铜 Lock strike plate material: Brass	适合门厚: 38-52mm Available door thickness: 38-52mm
锁体: HD-85-50E 独特斜舌设计 Lock Distance: a unique slating tongue design	适合范围: 各种木质门扇 Available for: All kinds of wooden door leaves
锁芯: HD-85-76B 高精度蛇槽锁芯 Lock Cylinder: High security with bending slot	特点: 互开率低 Features: Low interopening

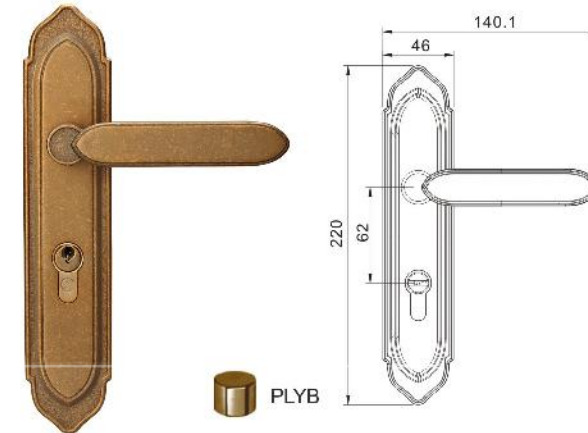
- 大门锁安装步骤:**
1. 确保斜舌斜面与关门方向一致, 当需要调整锁体开门方向时, 向上拨开斜舌换向片, 将斜舌推入锁体后, 旋转180°, 根据安装纸规画线开孔(如下图: A)。
  2. 将锁体放入孔; 预紧衬板螺钉(如下图: B-C)。
  3. 将方杆穿过门板插入锁体(如下图: D)。
  4. 安装内外面板, 使把手转动顺畅; 拧紧螺钉(如下图: E-F)。
  5. 插入锁芯, 使钥匙及旋钮转动顺畅(如下图: G)。
  6. 拧紧螺钉, 安装扣板及扣盒, 对齐锁体, 应使锁舌与之配合顺畅, 拧紧螺钉(如下图: H)。

- Gate lock installation steps:**
1. Make sure the incline of the tongue go with the closing direction. When it is necessary to adjust the opening direction of the lock, remove the commutator bar of the inclined tongue, and push the tongue into the lock, rotate 180°. Draw lines and make holes according to the installation specification. (As the picture: A)
  2. Place the lock into the hole. Pre-fix the screws of the back veneer. (As the picture: B-C)
  3. Insert the square bar through the door and into the lock. (As the picture: D)
  4. Install the inner and outer plates, making handle run smoothly. (As the picture: E-F)
  5. Insert the lock cylinder, making the key and knob run smoothly. (As the picture: G)
  6. Screw down the screws, install the gusset plate and gusset box, make them parallel to the lock and match the lock tongue. Fix the screws. (As the picture: H)



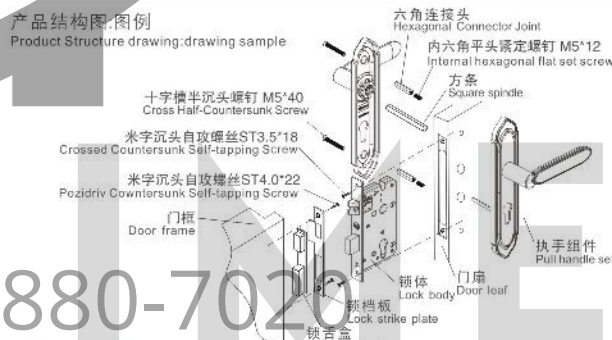
提示: 为保护产品外观和功能, 安装前请洗手或戴上干净的布类作业手套。装饰门面时, 特别是门面如漆上漆, 请将已装好的门框卸下, 待装修完毕后再装上。  
Attention: In order to protect the lock's surface and function, please wash your hands or wear working gloves when install it. If decorated doors, please take off the lock first, after that, put on it again.

汇泰龙保留在不影响产品使用功能、质量的前提下, 适当改动产品尺寸、外型而不另行通知的权利; 本册所有产品颜色、尺寸误差请以实物为准。



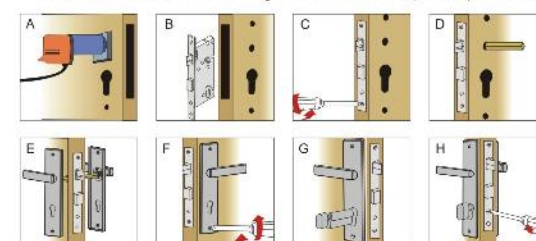
HD-68515 古典铜房门锁 振光黄古铜  
Room Door Lock (PLYB)

产品属性 Product Features	
表面处理: 振光黄古铜 Finish: PLYB	锁面板中心孔距: 150mm Central hole distance of face plate: 150mm
锁把手材质: 铜 Lever material: Brass	锁芯: S坑、蛇槽5条黄铜匙 Keys: 5 lines of "s" tyle pits solid brass key
锁面板材质: 铜 Lock strike plate material: Brass	适合门厚: 38-52mm Available door thickness: 38-52mm
锁体: HD-62-50E 锁体 Lock Distance: HD-62-50E	适合范围: 各种木质门扇 Available for: All kinds of wooden door leaves
锁芯: HD-85-76B 高精度蛇槽锁芯 Lock Cylinder: High security with bending slot	特点: 互开率低 Features: Low interopening



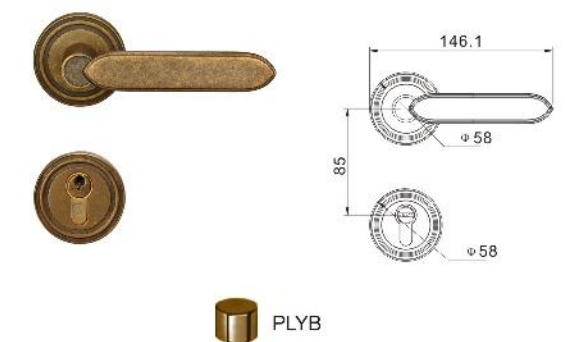
- 房门锁安装步骤:**
1. 确保斜舌斜面与关门方向一致, 当需要调整锁体开门方向时, 向上拨开斜舌换向片, 将斜舌推入锁体后, 旋转180°, 根据安装纸规画线开孔(如下图: A)。
  2. 将锁体放入孔; 预紧衬板螺钉(如下图: B-C)。
  3. 将方杆穿过门板插入锁体(如下图: D)。
  4. 安装内外面板, 使把手转动顺畅; 拧紧螺钉(如下图: E-F)。
  5. 插入锁芯, 使钥匙及旋钮转动顺畅(如下图: G)。
  6. 拧紧螺钉, 安装扣板及扣盒, 对齐锁体, 应使锁舌与之配合顺畅, 拧紧螺钉(如下图: H)。

- Room lock installation steps:**
1. Make sure the incline of the tongue go with the closing direction. When it is necessary to adjust the opening direction of the lock, remove the commutator bar of the inclined tongue, and push the tongue into the lock, rotate 180°. Draw lines and make holes according to the installation specification. (As the picture: A)
  2. Place the lock into the hole. Pre-fix the screws of the back veneer. (As the picture: B-C)
  3. Insert the square bar through the door and into the lock. (As the picture: D)
  4. Install the inner and outer plates, making handle run smoothly. (As the picture: E-F)
  5. Insert the lock cylinder, making the key and knob run smoothly. (As the picture: G)
  6. Screw down the screws, install the gusset plate and gusset box, make them parallel to the lock and match the lock tongue. Fix the screws. (As the picture: H)



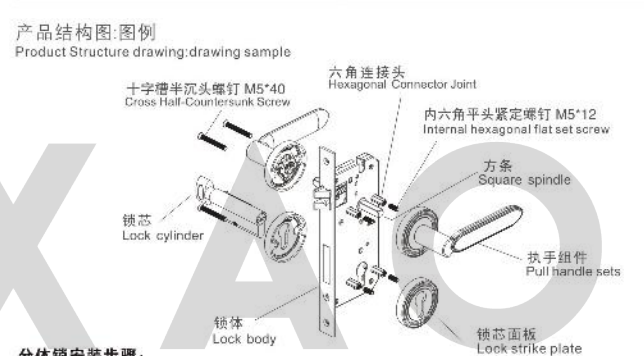
提示: 为保护产品外观和功能, 安装前请洗手或戴上干净的布类作业手套。装饰门面时, 特别是门面如漆上漆, 请将已装好的门框卸下, 待装修完毕后再装上。  
Attention: In order to protect the lock's surface and function, please wash your hands or wear working gloves when install it. If decorated doors, please take off the lock first, after that, put on it again.

欲了解更多详细资料, 请登陆汇泰龙国际互联网: www.hutlon.com



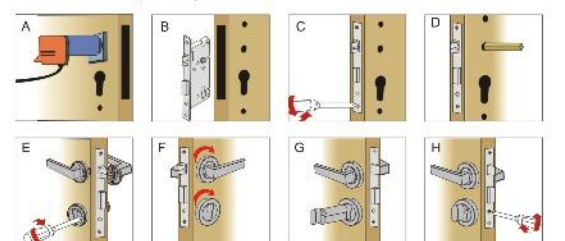
HD-68512 古典铜分体锁 振光黄古铜 (专利号:201430047242.7)  
Separator-Lock (PLYB) (专利号:201430085644.6)

产品属性 Product Features	
表面处理: 振光黄古铜 Finish: PLYB	锁芯: S坑、蛇槽5条黄铜匙 Keys: 5 lines of "s" tyle pits solid brass key
锁把手材质: 铜 Lever material: Brass	锁面板中心孔距: 150mm Central hole distance of face plate: 150mm
锁面板材质: 铜 Lock strike plate material: Brass	适合门厚: 38-52mm Available door thickness: 38-52mm
锁体: HD-85-50E 独特斜舌设计 Lock Distance: a unique slating tongue design	适合范围: 各种木质门扇 Available for: All kinds of wooden door leaves
锁芯: HD-85-76B 高精度蛇槽锁芯 Lock Cylinder: High security with bending slot	特点: 互开率低 Features: Low interopening



- 分体锁安装步骤:**
1. 确保斜舌斜面与关门方向一致, 当需要调整锁体开门方向时, 向上拨开斜舌换向片, 将斜舌推入锁体后, 旋转180°, 根据安装纸规画线开孔(如下图: A)。
  2. 将锁体放入孔; 预紧衬板螺钉, 分别从锁圈和执手圈上折出外盖; 将方杆穿过门板插入锁体(如下图: B-D)。
  3. 安装内外执手圈, 使把手转动顺畅; 拧紧螺钉, 安装内外锁圈, 插入锁芯(如下图: E-G)。
  4. 使锁芯及旋钮转动顺畅; 拧紧螺钉, 安装扣板及扣盒, 对齐锁体, 应使锁舌与之配合顺畅, 拧紧螺钉(如下图: H)。

- Separator-lock installation steps:**
1. Make sure the incline of the tongue go with the closing direction. When it is necessary to adjust the opening direction of the lock, remove the commutator bar of the inclined tongue, and push the tongue into the lock, rotate 180°. Draw lines and make holes according to the installation specification. (As the picture: A)
  2. Place the lock into the hole. Pre-fix the screws of the back veneer. Remove the cover from the locking collar and handle collar. Insert the square bar through the door and into the lock. (As the picture: B-D)
  3. Install the inner and outer parts of the handle collar. Make the handle run smoothly, and fix the screws. Install the inner and outer locking collar. (As the picture: E-G)
  4. Insert the lock cylinder. Make the key and knob run smoothly. Fix the screws. Install the gusset plate and gusset box. Make them parallel to the lock and match the lock tongue. Fix the screws. (As the picture: H)



提示: 为保护产品外观和功能, 安装前请洗手或戴上干净的布类作业手套。装饰门面时, 特别是门面如漆上漆, 请将已装好的门框卸下, 待装修完毕后再装上。  
Attention: In order to protect the lock's surface and function, please wash your hands or wear working gloves when install it. If decorated doors, please take off the lock first, after that, put on it again.

盖亚系列 Gaea Series



盖亚系列 Gaea Series

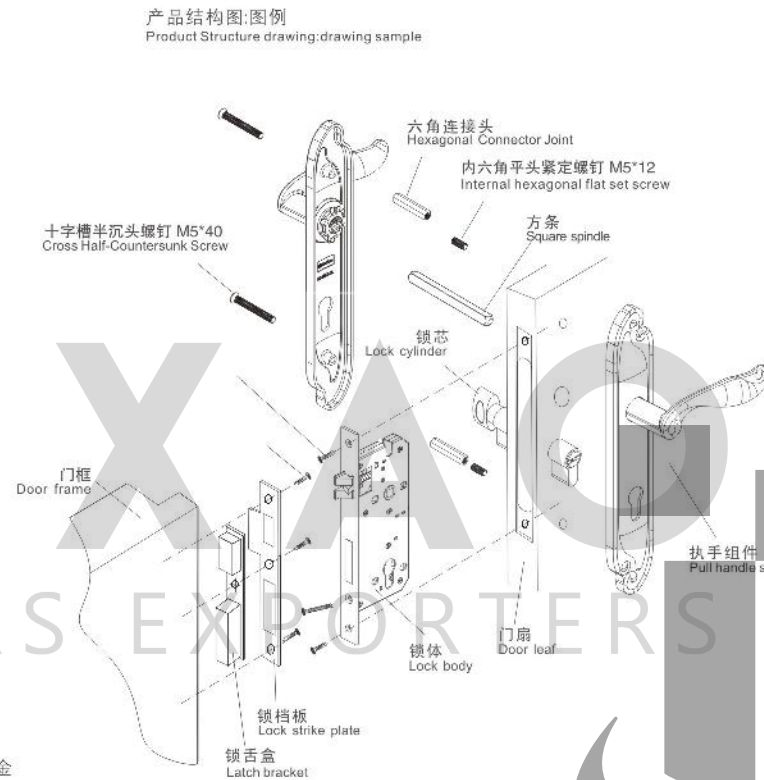
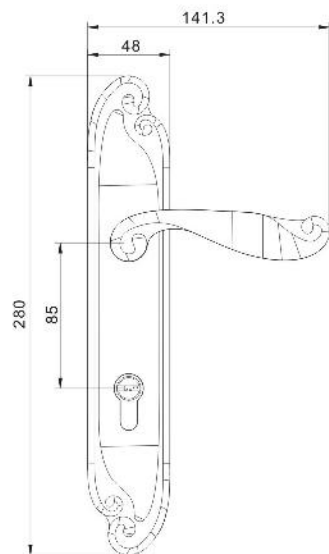


2

TWO 仁德仕特  
Lock Hardware  
米兰世界博展余品展战略合作伙伴  
STRATEGIC PARTNER OF EXPO2015 MILANO



HD-68521 古典铜大门锁 光金  
Gate Door Lock (GP)  
(专利号: 201430047227.2) (专利号: 201430047012.0)



产品属性 Product Features	
表面处理: 光金 Finish: GP	锁芯: S坑、蛇槽5条黄铜匙 Keys: 5 lines of "s" tyle pits solid brass key
执手材质: 铜 Lever material: Brass	锁扣板中心孔距: 184mm Central hole distance of face plate: 184mm
锁面板材质: 铜 Lock strike plate material: Brass	适合门厚: 38-52mm Available door thickness: 38-52mm
锁体: HD-85-50E 独特斜舌设计 Lock Distance: a unique slating tongue design	适合范围: 各种木质门扇 Available for: All kinds of wooden door leaves
锁芯: HD-85-76B 高精度蛇槽锁芯 Lock Cylinder: High security with bending slot	特点: 互开率低 Features: Low interopening

- 大门锁安装步骤:**
1. 确保斜舌斜面与关门方向一致, 当需要调整锁体开门方向时, 向上拨开斜舌换向片, 将斜舌推入锁体后, 旋转180°, 根据安装纸划线开孔(如下图: A)。
  2. 将锁体放入孔; 预紧衬板螺钉(如下图: B-C)。
  3. 将方杆穿过门板插入锁体(如下图: D)。
  4. 安装内外盖板, 使把手转动顺畅; 拧紧螺钉(如下图: E-F)。
  5. 插入锁芯, 使钥匙及旋钮转动顺畅(如下图: G)。
  6. 拧紧螺钉, 安装扣板及扣盒, 对齐锁体, 应使锁舌与之配合顺畅, 拧紧螺钉(如下图: H)。

- Gate lock installation steps:**
1. Make sure the incline of the tongue go with the closing direction. When it is necessary to adjust the opening direction of the lock, remove the commutator bar of the inclined tongue, and push the tongue into the lock, rotate 180°. Draw lines and make holes according to the installation specification. (As the picture: A)
  2. Place the lock into the hole. Pre-fix the screws of the back veneer. (As the picture: B-C)
  3. Insert the square bar through the door and into the lock. (As the picture: D)
  4. Install the inner and outer plates, making handle run smoothly. Screw down the screws. (As the picture: E-F)
  5. Insert the lock cylinder, making the key and knob run smoothly. (As the picture: G)
  6. Screw down the screws, install the gusset plate and gusset box, make them parallel to the lock and match the lock tongue. Fix the screws. (As the picture: H)

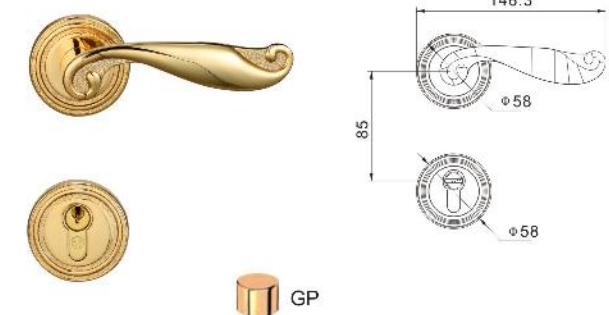


提示: 为保护产品外观和功能, 安装门锁前请将手洗净或戴上干净的布料类作业手套。装饰门面时, 特别是门面如贴上油漆, 请将已装好的门锁卸下, 待装修完毕后再装上。  
Attention: In order to protect the lock's surface and function, please wash your hands or wear working gloves when install it. If decorated doors, please take off the lock first, after that, put on it again.

汇泰龙保留在不影响产品使用功能、质量的前提下, 适当改动产品尺寸、外型而不另行通知的权利; 本册所有产品颜色、尺寸误差请以实物为准。

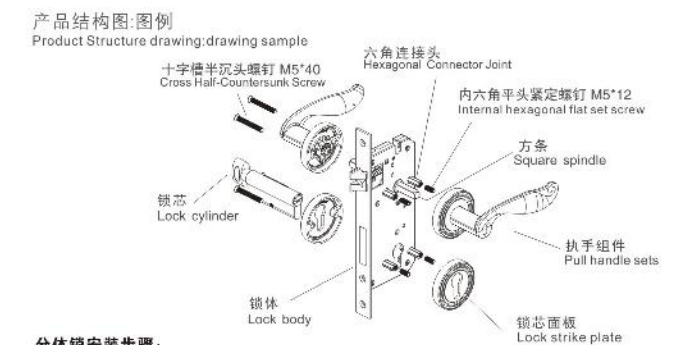
2

TWO 仁德仕特  
Lock Hardware  
米兰世界博展余品展战略合作伙伴  
STRATEGIC PARTNER OF EXPO2015 MILANO

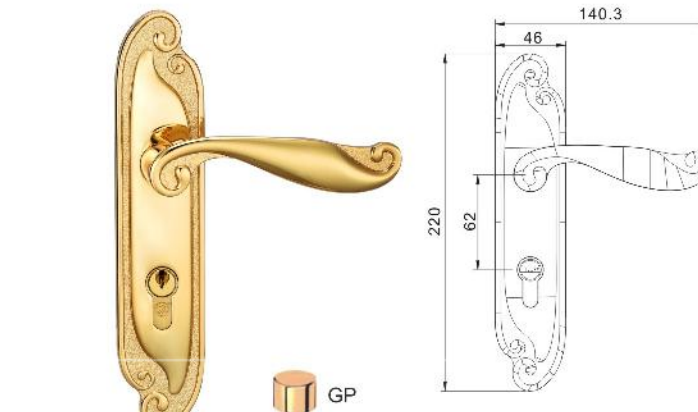
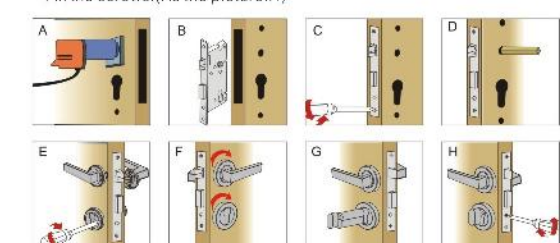


HD-68522 古典铜分体锁 光金 (专利号: 201430047227.2)  
Separator-Lock (GP) (专利号: 201430085644.6)

产品属性 Product Features	
表面处理: 光金 Finish: GP	锁芯: S坑、蛇槽5条黄铜匙 Keys: 5 lines of "s" tyle pits solid brass key
执手材质: 铜 Lever material: Brass	锁扣板中心孔距: 146.3mm Central hole distance of face plate: 146.3mm
锁面板材质: 铜 Lock strike plate material: Brass	适合门厚: 38-52mm Available door thickness: 38-52mm
锁体: HD-85-50E 独特斜舌设计 Lock Distance: a unique slating tongue design	适合范围: 各种木质门扇 Available for: All kinds of wooden door leaf
锁芯: HD-85-76B 高精度蛇槽锁芯 Lock Cylinder: High security with bending slot	特点: 互开率低 Features: Low interopening

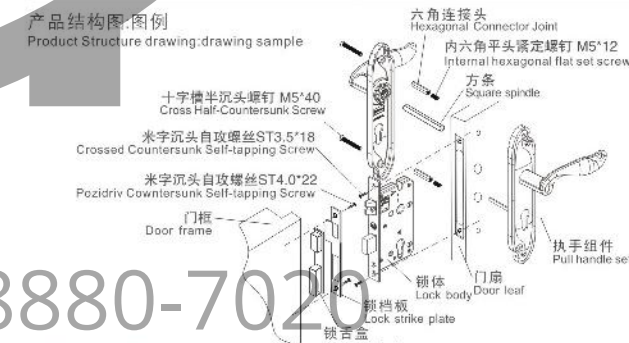


- 分体锁安装步骤:**
1. 确保斜舌斜面与关门方向一致, 当需要调整锁体开门方向时, 向上拨开斜舌换向片, 将斜舌推入锁体后, 旋转180°, 根据安装纸划线开孔(如下图: A)。
  2. 将锁体放入孔; 预紧衬板螺钉, 分别从锁圈和执手圈上折出外盖; 将方杆穿过门板插入锁体(如下图: B-D)。
  3. 安装内外执手圈, 使把手转动顺畅, 拧紧螺钉, 安装内外锁圈, 插入锁芯(如下图: E-G)。
  4. 使钥匙及旋钮转动顺畅, 拧紧螺钉, 安装扣板及扣盒, 对齐锁体, 应使锁舌与之配合顺畅, 拧紧螺钉(如下图: H)。
- Separator-lock installation steps:**
1. Make sure the incline of the tongue go with the closing direction. When it is necessary to adjust the opening direction of the lock, remove the commutator bar of the inclined tongue, and push the tongue into the lock, rotate 180°. Draw lines and make holes according to the installation specification. (As the picture: A)
  2. Place the lock into the hole. Pre-fix the screws of the back veneer. Remove the cover from the locking collar and handle collar. Insert the square bar through the door and into the lock. (As the picture: B-D)
  3. Install the inner and outer parts of the handle collar. Make the handle run smoothly, and fix the screws. Install the inner and outer locking collar. (As the picture: E-G)
  4. Insert the lock cylinder. Make the key and knob run smoothly. Fix the screws. Install the gusset plate and gusset box. Make them parallel to the lock and match the lock tongue. Fix the screws. (As the picture: H)

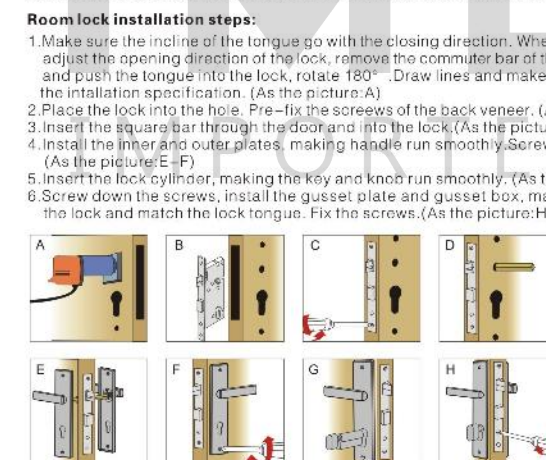


HD-68525 古典铜房门锁 光金  
Room Door Lock (GP)

产品属性 Product Features	
表面处理: 光金 Finish: GP	锁面板中心孔距: 170mm Central hole distance of face plate: 170mm
执手材质: 铜 Lever material: Brass	锁芯: S坑、蛇槽5条黄铜匙 Keys: 5 lines of "s" tyle pits solid brass key
锁面板材质: 铜 Lock strike plate material: Brass	适合门厚: 38-52mm Available door thickness: 38-52mm
锁体: HD-62-50E 锁体 Lock Distance: HD-62-50E	适合范围: 各种木质门扇 Available for: All kinds of wooden door leaves
锁芯: HD-85-76B 高精度蛇槽锁芯 Lock Cylinder: High security with bending slot	特点: 互开率低 Features: Low interopening



- 房门锁安装步骤:**
1. 确保斜舌斜面与关门方向一致, 当需要调整锁体开门方向时, 向上拨开斜舌换向片, 将斜舌推入锁体后, 旋转180°, 根据安装纸划线开孔(如下图: A)。
  2. 将锁体放入孔; 预紧衬板螺钉(如下图: B-C)。
  3. 将方杆穿过门板插入锁体(如下图: D)。
  4. 安装内外盖板, 使把手转动顺畅; 拧紧螺钉(如下图: E-F)。
  5. 插入锁芯, 使钥匙及旋钮转动顺畅(如下图: G)。
  6. 拧紧螺钉, 安装扣板及扣盒, 对齐锁体, 应使锁舌与之配合顺畅, 拧紧螺钉(如下图: H)。
- Room lock installation steps:**
1. Make sure the incline of the tongue go with the closing direction. When it is necessary to adjust the opening direction of the lock, remove the commutator bar of the inclined tongue, and push the tongue into the lock, rotate 180°. Draw lines and make holes according to the installation specification. (As the picture: A)
  2. Place the lock into the hole. Pre-fix the screws of the back veneer. (As the picture: B-C)
  3. Insert the square bar through the door and into the lock. (As the picture: D)
  4. Install the inner and outer plates, making handle run smoothly. Screw down the screws. (As the picture: E-F)
  5. Insert the lock cylinder, making the key and knob run smoothly. (As the picture: G)
  6. Screw down the screws, install the gusset plate and gusset box, make them parallel to the lock and match the lock tongue. Fix the screws. (As the picture: H)



提示: 为保护产品外观和功能, 安装门锁前请将手洗净或戴上干净的布料类作业手套。装饰门面时, 特别是门面如贴上油漆, 请将已装好的门锁卸下, 待装修完毕后再装上。  
Attention: In order to protect the lock's surface and function, please wash your hands or wear working gloves when install it. If decorated doors, please take off the lock first, after that, put on it again.

欲了解更多详细资料, 请登陆汇泰龙国际互联网: www.hutlon.com



盖亚系列 Gaea Series



盖亚系列 Gaea Series



2

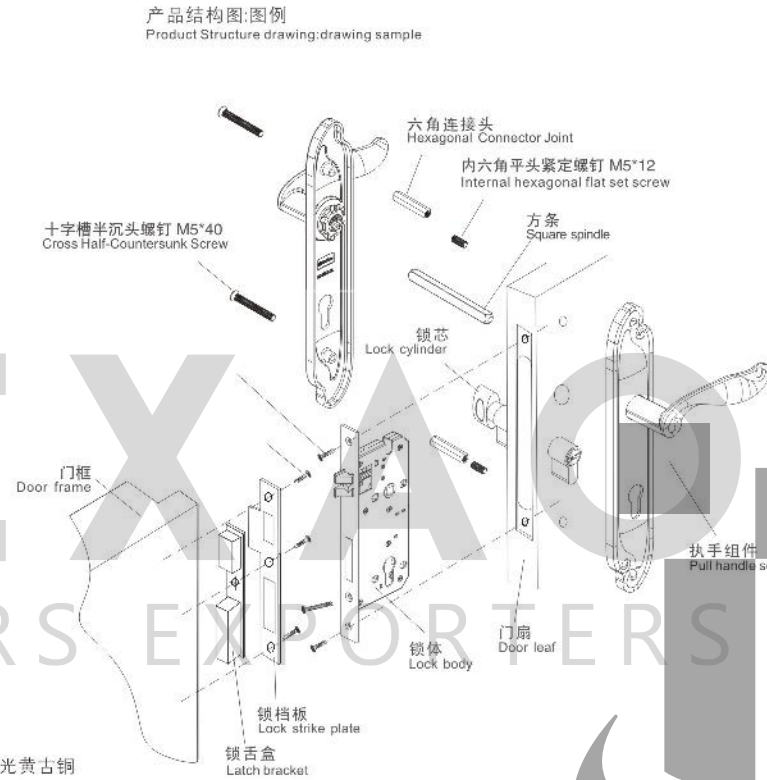
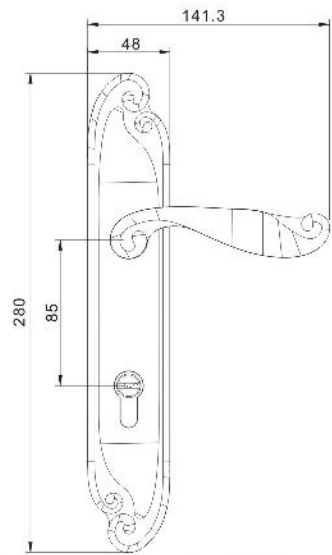
TWO 仁德门业  
Lock Hardware  
米兰世界博览会品牌战略合作伙伴  
STRATEGIC PARTNER OF EXPO2015 MILANO

2

TWO 仁德门业  
Lock Hardware  
米兰世界博览会品牌战略合作伙伴  
STRATEGIC PARTNER OF EXPO2015 MILANO



HD-68521 古典铜大门锁 振光黄古铜  
Gate Door Lock (PLYB)  
(专利号: 201430047227.2) (专利号: 201430047012.0)



产品属性 Product Features	
表面处理: 振光黄古铜 Finish: PLYB	锁芯: S坑、蛇槽5条黄铜匙 Keys: 5 lines of "s" type pits solid brass key
执手材质: 铜 Lever material: Brass	锁面板中心孔距: 184mm Central hole distance of face plate: 184mm
锁面板材质: 铜 Lock strike plate material: Brass	适合门厚: 38-52mm Available door thickness: 38-52mm
锁体: HD-85-50E 独特斜活舌设计 Lock Distance: a unique slating tongue design	适合范围: 各种木质门扇 Available for: All kinds of wooden door leaves
锁芯: HD-85-76B 高精度蛇槽锁芯 Lock Cylinder: High security with bending slot	特点: 互开率低 Features: Low interopening

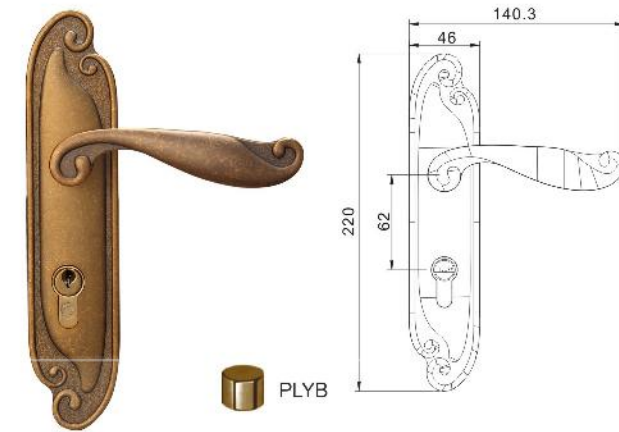
- 大门锁安装步骤:**
1. 确保斜舌斜面与关门方向一致, 当需要调整锁体开门方向时, 向上拨开斜舌换向片, 将斜舌推入锁体后, 旋转180°, 根据安装纸划线开孔(如下图: A)。
  2. 将锁体放入孔; 预紧衬板螺钉(如下图: B-C)。
  3. 将方杆穿过门板插入锁体(如下图: D)。
  4. 安装内外面板, 使把手转动顺畅; 拧紧螺钉(如下图: E-F)。
  5. 插入锁芯, 使钥匙及旋钮转动顺畅(如下图: G)。
  6. 拧紧螺钉, 安装扣板及扣盒, 对齐锁体, 应使锁舌与之配合顺畅, 拧紧螺钉(如下图: H)。

- Gate lock installation steps:**
1. Make sure the incline of the tongue go with the closing direction. When it is necessary to adjust the opening direction of the lock, remove the commutator bar of the inclined tongue, and push the tongue into the lock, rotate 180°. Draw lines and make holes according to the installation specification. (As the picture: A)
  2. Place the lock into the hole. Pre-fix the screws of the back veneer. (As the picture: B-C)
  3. Insert the square bar through the door and into the lock. (As the picture: D)
  4. Install the inner and outer plates, making handle run smoothly. Screw down the screws. (As the picture: E-F)
  5. Insert the lock cylinder, making the key and knob run smoothly. (As the picture: G)
  6. Screw down the screws, install the gusset plate and gusset box, make them parallel to the lock and match the lock tongue. Fix the screws. (As the picture: H)



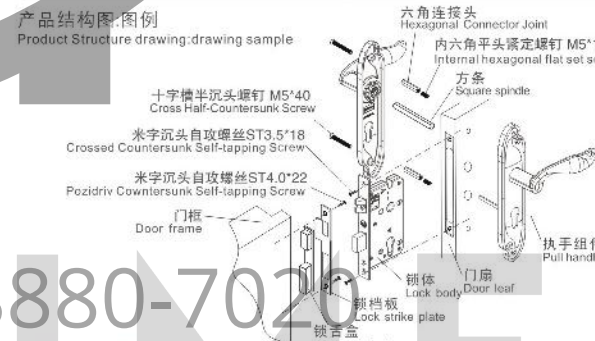
提示: 为保护产品外观和功能, 安装门锁前请将手洗净或戴上干净的布料类作业手套。装饰门面时, 特别是门面如漆上油漆, 请将已装好的门锁卸下, 待装修完毕后再装上。  
Attention: In order to protect the lock's surface and function, please wash your hands or wear working gloves when install it. If decorated doors, please take off the lock first, after that, put on it again.

汇泰龙保留在不影响产品使用功能、质量的前提下, 适当改动产品尺寸、外型而不另行通知的权利; 本册所有产品颜色、尺寸误差请以实物为准。



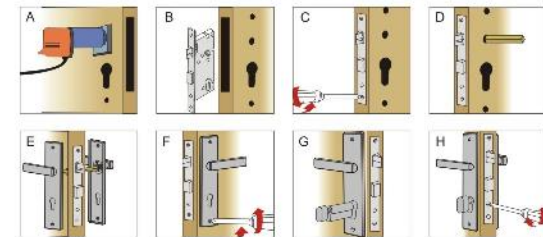
HD-68525 古典铜房门锁 振光黄古铜  
Room Door Lock (PLYB)

产品属性 Product Features	
表面处理: 振光黄古铜 Finish: PLYB	锁面板中心孔距: 170mm Central hole distance of face plate: 170mm
执手材质: 铜 Lever material: Brass	锁芯: S坑、蛇槽5条黄铜匙 Keys: 5 lines of "s" type pits solid brass key
锁面板材质: 铜 Lock strike plate material: Brass	适合门厚: 38-52mm Available door thickness: 38-52mm
锁体: HD-62-50E 锁体 Lock Distance: HD-62-50E	适合范围: 各种木质门扇 Available for: All kinds of wooden door leaves
锁芯: HD-85-76B 高精度蛇槽锁芯 Lock Cylinder: High security with bending slot	特点: 互开率低 Features: Low interopening



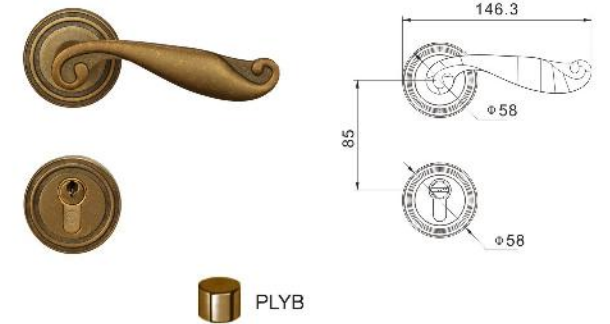
- 房门锁安装步骤:**
1. 确保斜舌斜面与关门方向一致, 当需要调整锁体开门方向时, 向上拨开斜舌换向片, 将斜舌推入锁体后, 旋转180°, 根据安装纸划线开孔(如下图: A)。
  2. 将锁体放入孔; 预紧衬板螺钉(如下图: B-C)。
  3. 将方杆穿过门板插入锁体(如下图: D)。
  4. 安装内外面板, 使把手转动顺畅; 拧紧螺钉(如下图: E-F)。
  5. 插入锁芯, 使钥匙及旋钮转动顺畅(如下图: G)。
  6. 拧紧螺钉, 安装扣板及扣盒, 对齐锁体, 应使锁舌与之配合顺畅, 拧紧螺钉(如下图: H)。

- Room lock installation steps:**
1. Make sure the incline of the tongue go with the closing direction. When it is necessary to adjust the opening direction of the lock, remove the commutator bar of the inclined tongue, and push the tongue into the lock, rotate 180°. Draw lines and make holes according to the installation specification. (As the picture: A)
  2. Place the lock into the hole. Pre-fix the screws of the back veneer. (As the picture: B-C)
  3. Insert the square bar through the door and into the lock. (As the picture: D)
  4. Install the inner and outer plates, making handle run smoothly. Screw down the screws. (As the picture: E-F)
  5. Insert the lock cylinder, making the key and knob run smoothly. (As the picture: G)
  6. Screw down the screws, install the gusset plate and gusset box, make them parallel to the lock and match the lock tongue. Fix the screws. (As the picture: H)



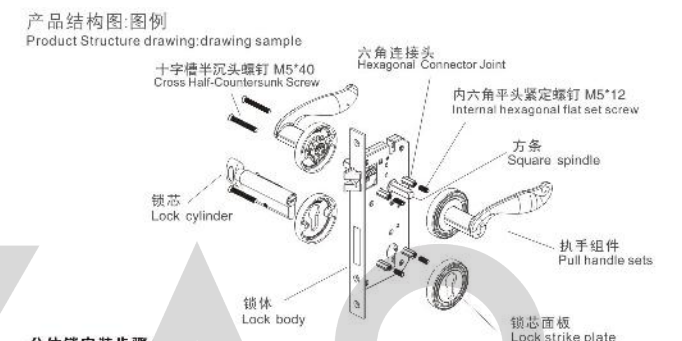
提示: 为保护产品外观和功能, 安装门锁前请将手洗净或戴上干净的布料类作业手套。装饰门面时, 特别是门面如漆上油漆, 请将已装好的门锁卸下, 待装修完毕后再装上。  
Attention: In order to protect the lock's surface and function, please wash your hands or wear working gloves when install it. If decorated doors, please take off the lock first, after that, put on it again.

欲了解更多详细资料, 请登陆汇泰龙国际互联网: www.hutlon.com



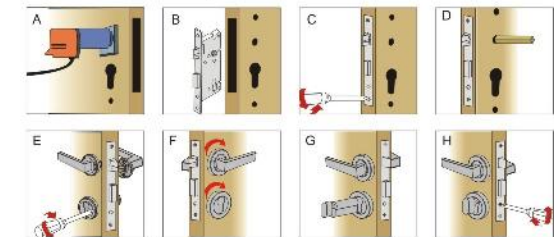
HD-68522 古典铜分体锁 振光黄古铜 (专利号: 201430047227.2)  
Separator-Lock (PLYB) (专利号: 201430085644.6)

产品属性 Product Features	
表面处理: 振光黄古铜 Finish: PLYB	锁芯: S坑、蛇槽5条黄铜匙 Keys: 5 lines of "s" type pits solid brass key
执手材质: 铜 Lever material: Brass	锁面板中心孔距: 146.3mm Central hole distance of face plate: 146.3mm
锁面板材质: 铜 Lock strike plate material: Brass	适合门厚: 38-52mm Available door thickness: 38-52mm
锁体: HD-85-50E 独特斜活舌设计 Lock Distance: a unique slating tongue design	适合范围: 各种木质门扇 Available for: All kinds of wooden door leaves
锁芯: HD-85-76B 高精度蛇槽锁芯 Lock Cylinder: High security with bending slot	特点: 互开率低 Features: Low interopening



- 分体锁安装步骤:**
1. 确保斜舌斜面与关门方向一致, 当需要调整锁体开门方向时, 向上拨开斜舌换向片, 将斜舌推入锁体后, 旋转180°, 根据安装纸划线开孔(如下图: A)。
  2. 将锁体放入孔; 预紧衬板螺钉, 分别从锁体和执手圈上折出外盖; 将方杆穿过门板插入锁体(如下图: B-D)。
  3. 安装内外执手圈, 使把手转动顺畅; 拧紧螺钉, 安装内外执手圈, 插入锁芯(如下图: E-G)。
  4. 使钥匙及旋钮转动顺畅, 拧紧螺钉, 安装扣板及扣盒, 对齐锁体, 应使锁舌与之配合顺畅, 拧紧螺钉(如下图: H)。

- Separator-lock installation steps:**
1. Make sure the incline of the tongue go with the closing direction. When it is necessary to adjust the opening direction of the lock, remove the commutator bar of the inclined tongue, and push the tongue into the lock, rotate 180°. Draw lines and make holes according to the installation specification. (As the picture: A)
  2. Place the lock into the hole. Pre-fix the screws of the back veneer. Remove the cover from the locking collar and handle collar. Insert the square bar through the door and into the lock. (As the picture: B-D)
  3. Install the inner and outer parts of the handle collar. Make the handle run smoothly, and fix the screws. Install the inner and outer locking collar. (As the picture: E-G)
  4. Insert the lock cylinder. Make the key and knob run smoothly. Fix the screws. Install the gusset plate and gusset box, make them parallel to the lock and match the lock tongue. Fix the screws. (As the picture: H)



提示: 为保护产品外观和功能, 安装门锁前请将手洗净或戴上干净的布料类作业手套。装饰门面时, 特别是门面如漆上油漆, 请将已装好的门锁卸下, 待装修完毕后再装上。  
Attention: In order to protect the lock's surface and function, please wash your hands or wear working gloves when install it. If decorated doors, please take off the lock first, after that, put on it again.

阿特姆斯系列 Artemis Series

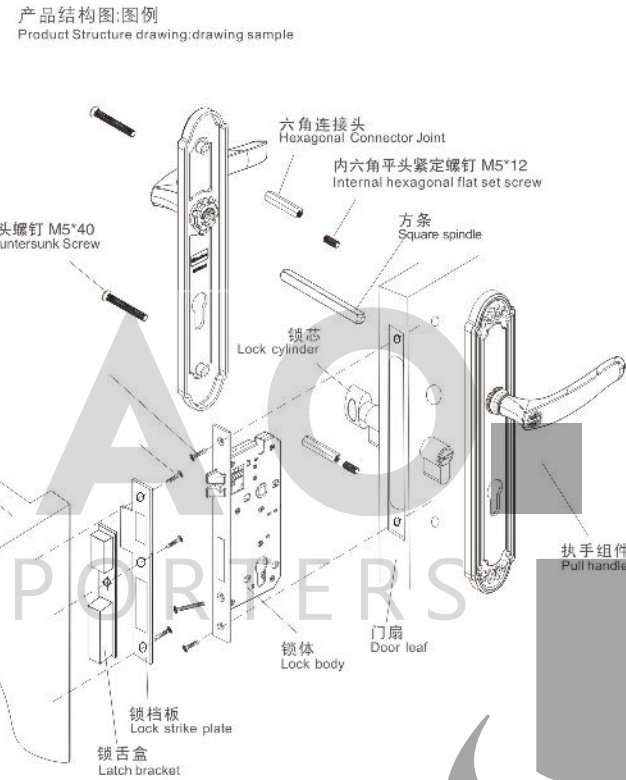


2

TWO 仁德门业  
Lock Hardware  
米兰世界博览会品牌战略合作伙伴  
STRATEGIC PARTNER OF EXPO2015 MILANO



HD-68531 古典铜大门锁 光金  
Gate Door Lock (GP)  
(专利号: 201430046792.7) (专利号: 201430047054.4)



产品属性 Product Features	
表面处理:光金 Finish: GP	锁芯: S坑、蛇槽5条黄铜匙 Keys: 5 lines of "s" tyle pits solid brass key
锁把手材质:铜 Lever material: Brass	锁面中心孔距: 210mm Central hole distance of face plate: 210mm
锁面板材质:铜 Lock strike plate material: Brass	适合门厚: 38-52mm Available door thickness: 38-52mm
锁体: HD-85-50E 独特斜活舌设计 Lock Distance: a unique slating tongue design	适合范围:各种木质门扇 Available for:All kinds of wooden door leaves
锁芯: HD-85-76B高精度蛇槽锁芯 Lock Cylinder: High security with bending slot	特点:互开率低 Features:Low interopening

- 大门锁安装步骤:**
1. 确保斜舌斜面与关门方向一致, 当需要调整锁体开门方向时, 向上拨开斜舌换向片, 将斜舌推入锁体后, 旋转180°, 根据安装纸划线开孔(如下图: A)。
  2. 将锁体放入孔; 预紧衬板螺钉(如下图: B-C)。
  3. 将方杆穿过门板插入锁体(如下图: D)。
  4. 安装内外面板, 使把手转动顺畅; 拧紧螺钉(如下图: E-F)。
  5. 插入锁芯, 使钥匙及旋钮转动顺畅(如下图: G)。
  6. 拧紧螺钉, 安装扣板及扣盒, 对齐锁体, 应使锁舌与之配合顺畅, 拧紧螺钉(如下图: H)。
- Gate lock installation steps:**
1. Make sure the incline of the tongue go with the closing direction. When it is necessary to adjust the opening direction of the lock, remove the commutator bar of the inclined tongue, and push the tongue into the lock, rotate 180°. Draw lines and make holes according to the installation specification. (As the picture: A)
  2. Place the lock into the hole. Pre-fix the screws of the back veneer. (As the picture: B-C)
  3. Insert the square bar through the door and into the lock. (As the picture: D)
  4. Install the inner and outer plates, making handle run smoothly. Screw down the screws. (As the picture: E-F)
  5. Insert the lock cylinder, making the key and knob run smoothly. (As the picture: G)
  6. Screw down the screws, install the gusset plate and gusset box, make them parallel to the lock and match the lock tongue. Fix the screws. (As the picture: H)



提示: 为保护产品外观和功能, 安装门锁前请将手洗净或戴上干净的布料类作业手套。装饰门面时, 特别是门面如贴油漆, 请将已装好的门锁卸下, 待装修完毕后再装上。  
Attention: In order to protect the lock's surface and function, please wash your hands or wear working gloves when install it. If decorated doors, please take off the lock first, after that, put on it again.

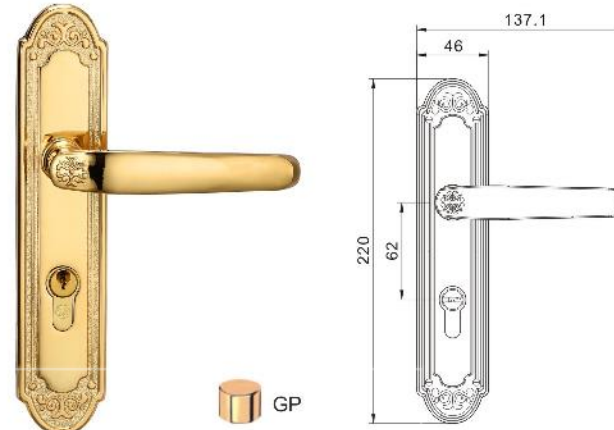
汇泰龙保留在不影响产品使用功能、质量的前提下, 适当改动产品尺寸、外型而不另行通知的权利; 本册所有产品颜色、尺寸误差请以实物为准。

阿特姆斯系列 Artemis Series



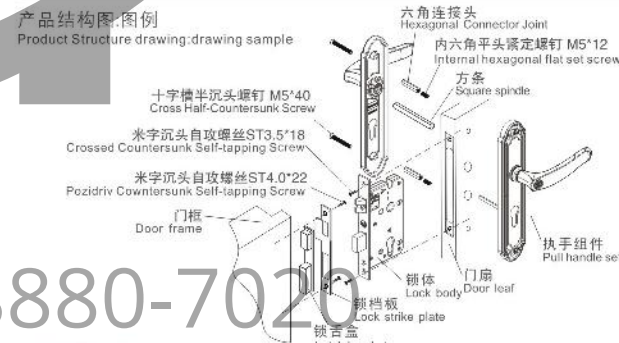
2

TWO 仁德门业  
Lock Hardware  
米兰世界博览会品牌战略合作伙伴  
STRATEGIC PARTNER OF EXPO2015 MILANO

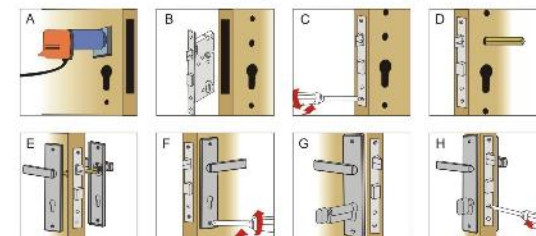


HD-68535 古典铜房门锁 光金  
Room Door Lock (GP)

产品属性 Product Features	
表面处理:光金 Finish: GP	锁面中心孔距: 160mm Central hole distance of face plate: 160mm
锁把手材质:铜 Lever material: Brass	锁芯: S坑、蛇槽5条黄铜匙 Keys: 5 lines of "s" tyle pits solid brass key
锁面板材质:铜 Lock strike plate material: Brass	适合门厚: 38-52mm Available door thickness: 38-52mm
锁体: HD-62-50E 锁体 Lock Distance: HD-62-50E	适合范围:各种木质门扇 Available for:All kinds of wooden door leaves
锁芯: HD-85-76B高精度蛇槽锁芯 Lock Cylinder: High security with bending slot	特点:互开率低 Features:Low interopening

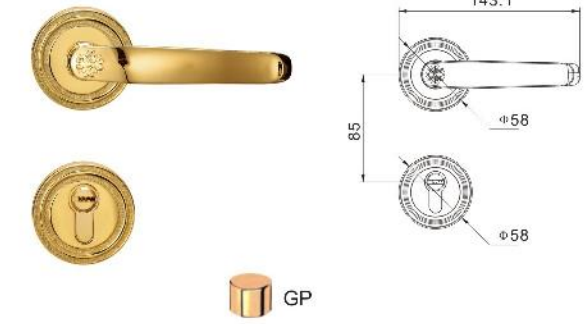


- 房门锁安装步骤:**
1. 确保斜舌斜面与关门方向一致, 当需要调整锁体开门方向时, 向上拨开斜舌换向片, 将斜舌推入锁体后, 旋转180°, 根据安装纸划线开孔(如下图: A)。
  2. 将锁体放入孔; 预紧衬板螺钉(如下图: B-C)。
  3. 将方杆穿过门板插入锁体(如下图: D)。
  4. 安装内外面板, 使把手转动顺畅; 拧紧螺钉(如下图: E-F)。
  5. 插入锁芯, 使钥匙及旋钮转动顺畅(如下图: G)。
  6. 拧紧螺钉, 安装扣板及扣盒, 对齐锁体, 应使锁舌与之配合顺畅, 拧紧螺钉(如下图: H)。
- Room lock installation steps:**
1. Make sure the incline of the tongue go with the closing direction. When it is necessary to adjust the opening direction of the lock, remove the commutator bar of the inclined tongue, and push the tongue into the lock, rotate 180°. Draw lines and make holes according to the installation specification. (As the picture: A)
  2. Place the lock into the hole. Pre-fix the screws of the back veneer. (As the picture: B-C)
  3. Insert the square bar through the door and into the lock. (As the picture: D)
  4. Install the inner and outer plates, making handle run smoothly. Screw down the screws. (As the picture: E-F)
  5. Insert the lock cylinder, making the key and knob run smoothly. (As the picture: G)
  6. Screw down the screws, install the gusset plate and gusset box, make them parallel to the lock and match the lock tongue. Fix the screws. (As the picture: H)



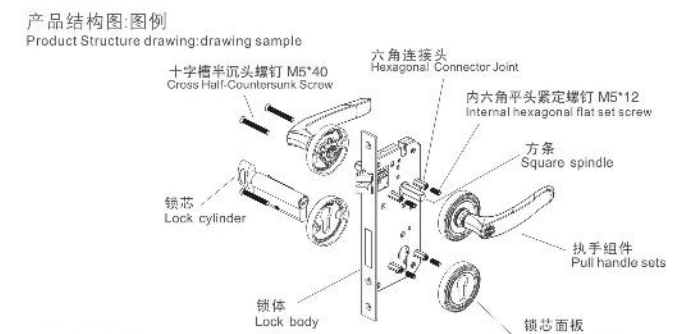
提示: 为保护产品外观和功能, 安装门锁前请将手洗净或戴上干净的布料类作业手套。装饰门面时, 特别是门面如贴油漆, 请将已装好的门锁卸下, 待装修完毕后再装上。  
Attention: In order to protect the lock's surface and function, please wash your hands or wear working gloves when install it. If decorated doors, please take off the lock first, after that, put on it again.

欲了解更多详细资料, 请登陆汇泰龙国际互联网: www.hutlon.com

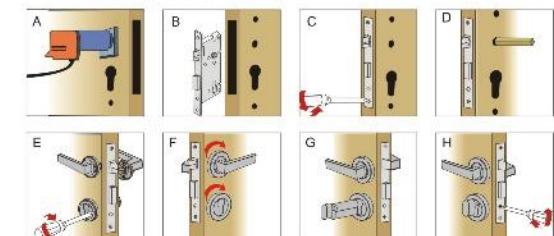


HD-68532 古典铜分体锁 光金 (专利号: 201430046792.7)  
Separator-Lock (GP) (专利号: 201430085644.6)

产品属性 Product Features	
表面处理:光金 Finish: GP	锁芯: S坑、蛇槽5条黄铜匙 Keys: 5 lines of "s" tyle pits solid brass key
锁把手材质:铜 Lever material: Brass	锁面中心孔距: 143.1mm Central hole distance of face plate: 143.1mm
锁面板材质:铜 Lock strike plate material: Brass	适合门厚: 38-52mm Available door thickness: 38-52mm
锁体: HD-85-50E 独特斜活舌设计 Lock Distance: a unique slating tongue design	适合范围:各种木质门扇 Available for:All kinds of wooden door leaves
锁芯: HD-85-76B高精度蛇槽锁芯 Lock Cylinder: High security with bending slot	特点:互开率低 Features:Low interopening



- 分体锁安装步骤:**
1. 确保斜舌斜面与关门方向一致, 当需要调整锁体开门方向时, 向上拨开斜舌换向片, 将斜舌推入锁体后, 旋转180°, 根据安装纸划线开孔(如下图: A)。
  2. 将锁体放入孔; 预紧衬板螺钉, 分别从锁圈和执手圈上折出外盖; 将方杆穿过门板插入锁体(如下图: B-D)。
  3. 安装内外执手圈组件, 使把手转动顺畅; 拧紧螺钉, 安装内外锁圈, 插入锁芯(如下图: E-G)。
  4. 使钥匙及旋钮转动顺畅, 拧紧螺钉, 安装扣板及扣盒, 对齐锁体, 应使锁舌与之配合顺畅, 拧紧螺钉(如下图: H)。
- Separator-lock installation steps:**
1. Make sure the incline of the tongue go with the closing direction. When it is necessary to adjust the opening direction of the lock, remove the commutator bar of the inclined tongue, and push the tongue into the lock, rotate 180°. Draw lines and make holes according to the installation specification. (As the picture: A)
  2. Place the lock into the hole. Pre-fix the screws of the back veneer. Remove the cover from the locking collar and handle collar. Insert the square bar through the door and into the lock. (As the picture: B-D)
  3. Install the inner and outer parts of the handle collar. Make the handle run smoothly, and fix the screws. Install the inner and outer locking collar. (As the picture: E-G)
  4. Insert the lock cylinder. Make the key and knob run smoothly. Fix the screws. Install the gusset plate and gusset box. Make them parallel to the lock and match the lock tongue. Fix the screws. (As the picture: H)



提示: 为保护产品外观和功能, 安装门锁前请将手洗净或戴上干净的布料类作业手套。装饰门面时, 特别是门面如贴油漆, 请将已装好的门锁卸下, 待装修完毕后再装上。  
Attention: In order to protect the lock's surface and function, please wash your hands or wear working gloves when install it. If decorated doors, please take off the lock first, after that, put on it again.

阿特姆斯系列 Artemis Series



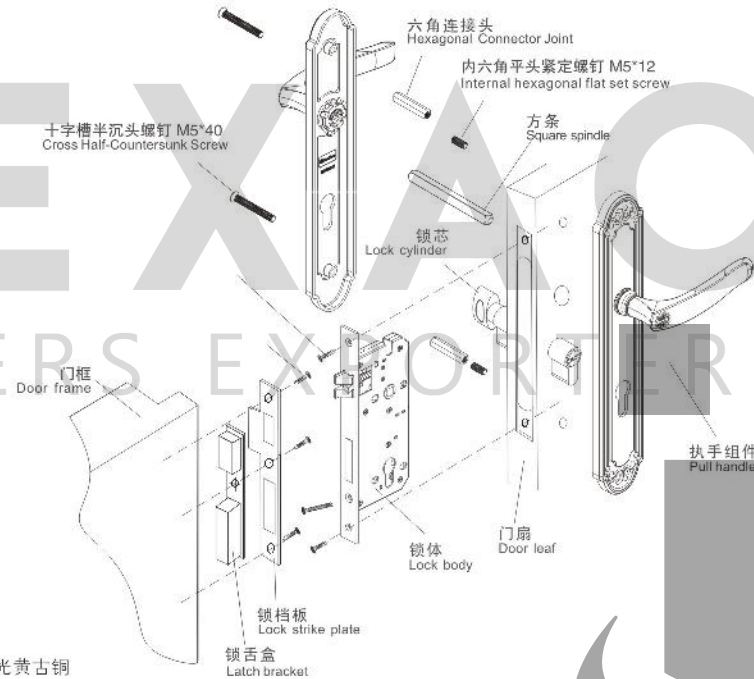
2

TWO 仁德门业  
Lock Hardware  
米兰世界博览会品牌战略合作伙伴  
STRATEGIC PARTNER OF EXPO2015 MILANO



HD-68531 古典铜大门锁 振光黄古铜  
Gate Door Lock (PLYB)  
(专利号: 201430046792.7) (专利号: 201430047054.4)

产品结构图:图例  
Product Structure drawing:drawing sample



产品属性 Product Features

表面处理: 振光黄古铜 Finish: PLYB	锁芯: S坑、蛇槽5条黄铜匙 Keys: 5 lines of "s" tyle pits solid brass key
锁把手材质: 铜 Lever material: Brass	锁面板中心孔距: 210mm Central hole distance of face plate: 210mm
锁面板材质: 铜 Lock strike plate material: Brass	适合门厚: 38-52mm Available door thickness: 38-52mm
锁体: HD-85-50E 独特斜舌活舌设计 Lock Distance: a unique slating tongue design	适合范围: 各种木质门扇 Available for: All kinds of wooden door leaves
锁芯: HD-85-76B 高精度蛇槽锁芯 Lock Cylinder: High security with bending slot	特点: 互开率低 Features: Low interopening

大门锁安装步骤:

1. 确保斜舌斜面与关门方向一致, 当需要调整锁体开门方向时, 向上拨开斜舌换向片, 将斜舌推入锁体后, 旋转180°, 根据安装纸规画线开孔(如下图: A)。
2. 将锁体放入孔; 预紧衬板螺钉(如下图: B-C)。
3. 将方杆穿过门板插入锁体(如下图: D)。
4. 安装内外面板, 使把手转动顺畅; 拧紧螺钉(如下图: E-F)。
5. 插入锁芯, 使钥匙及旋钮转动顺畅(如下图: G)。
6. 拧紧螺钉, 安装扣板及扣盒, 对齐锁体, 应使锁舌与之配合顺畅, 拧紧螺钉(如下图: H)。

Gate lock installation steps:

1. Make sure the incline of the tongue go with the closing direction. When it is necessary to adjust the opening direction of the lock, remove the commutator bar of the inclined tongue, and push the tongue into the lock, rotate 180°. Draw lines and make holes according to the installation specification. (As the picture: A)
2. Place the lock into the hole. Pre-fix the screws of the back veneer. (As the picture: B-C)
3. Insert the square bar through the door and into the lock. (As the picture: D)
4. Install the inner and outer platos, making handle run smoothly. Screw down the screws. (As the picture: E-F)
5. Insert the lock cylinder, making the key and knob run smoothly. (As the picture: G)
6. Screw down the screws, install the gusset plate and gusset box, make them parallel to the lock and match the lock tongue. Fix the screws. (As the picture: H)



提示: 为保护产品外观和功能, 安装门锁前请将手洗净或戴上干净的布料类作业手套。装饰门面时, 特别是门面如贴上油漆, 请将已装好的门锁卸下, 待装修完毕后再装上。  
Attention: In order to protect the lock's surface and function, please wash your hands or wear working gloves when install it. If decorated doors, please take off the lock first, after that, put on it again.

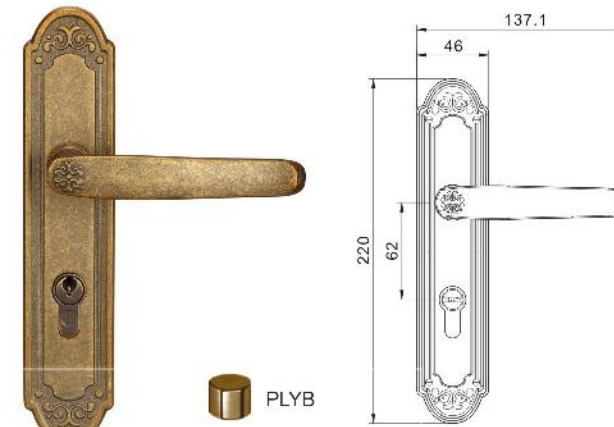
汇泰龙保留在不影响产品使用功能、质量的前提下, 适当改动产品尺寸、外型而不另行通知的权利; 本册所有产品颜色、尺寸误差请以实物为准。

阿特姆斯系列 Artemis Series



2

TWO 仁德门业  
Lock Hardware  
米兰世界博览会品牌战略合作伙伴  
STRATEGIC PARTNER OF EXPO2015 MILANO

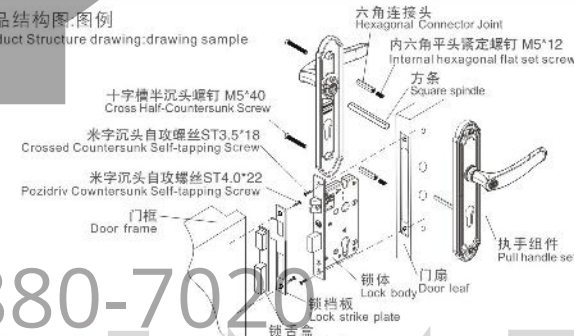


HD-68535 古典铜房门锁 振光黄古铜  
Room Door Lock (PLYB)

产品属性 Product Features

表面处理: 振光黄古铜 Finish: PLYB	锁面板中心孔距: 160mm Central hole distance of face plate: 160mm
锁把手材质: 铜 Lever material: Brass	锁芯: S坑、蛇槽5条黄铜匙 Keys: 5 lines of "s" tyle pits solid brass key
锁面板材质: 铜 Lock strike plate material: Brass	适合门厚: 38-52mm Available door thickness: 38-52mm
锁体: HD-62-50E 锁体 Lock Distance: HD-62-50E	适合范围: 各种木质门扇 Available for: All kinds of wooden door leaves
锁芯: HD-85-76B 高精度蛇槽锁芯 Lock Cylinder: High security with bending slot	特点: 互开率低 Features: Low interopening

产品结构图:图例  
Product Structure drawing:drawing sample

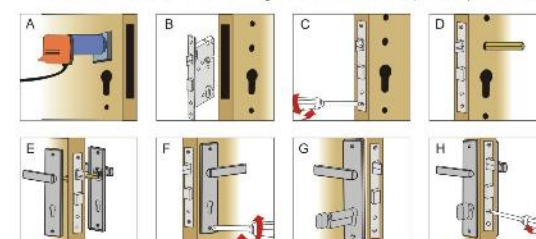


房门锁安装步骤:

1. 确保斜舌斜面与关门方向一致, 当需要调整锁体开门方向时, 向上拨开斜舌换向片, 将斜舌推入锁体后, 旋转180°, 根据安装纸规画线开孔(如下图: A)。
2. 将锁体放入孔; 预紧衬板螺钉(如下图: B-C)。
3. 将方杆穿过门板插入锁体(如下图: D)。
4. 安装内外面板, 使把手转动顺畅; 拧紧螺钉(如下图: E-F)。
5. 插入锁芯, 使钥匙及旋钮转动顺畅(如下图: G)。
6. 拧紧螺钉, 安装扣板及扣盒, 对齐锁体, 应使锁舌与之配合顺畅, 拧紧螺钉(如下图: H)。

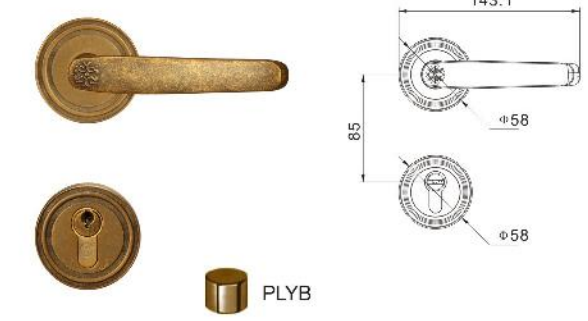
Room lock installation steps:

1. Make sure the incline of the tongue go with the closing direction. When it is necessary to adjust the opening direction of the lock, remove the commutator bar of the inclined tongue, and push the tongue into the lock, rotate 180°. Draw lines and make holes according to the installation specification. (As the picture: A)
2. Place the lock into the hole. Pre-fix the screws of the back veneer. (As the picture: B-C)
3. Insert the square bar through the door and into the lock. (As the picture: D)
4. Install the inner and outer platos, making handle run smoothly. Screw down the screws. (As the picture: E-F)
5. Insert the lock cylinder, making the key and knob run smoothly. (As the picture: G)
6. Screw down the screws, install the gusset plate and gusset box, make them parallel to the lock and match the lock tongue. Fix the screws. (As the picture: H)



提示: 为保护产品外观和功能, 安装门锁前请将手洗净或戴上干净的布料类作业手套。装饰门面时, 特别是门面如贴上油漆, 请将已装好的门锁卸下, 待装修完毕后再装上。  
Attention: In order to protect the lock's surface and function, please wash your hands or wear working gloves when install it. If decorated doors, please take off the lock first, after that, put on it again.

欲了解更多详细资料, 请登陆汇泰龙国际互联网: www.hutlon.com

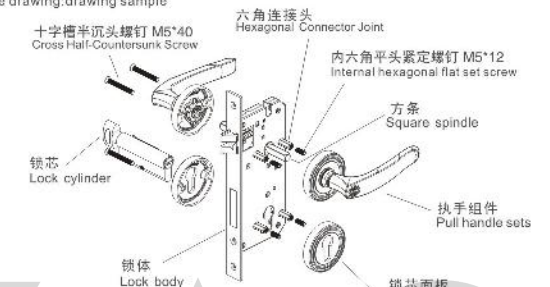


HD-68532 古典铜分体锁 振光黄古铜 (专利号: 201430046792.7)  
Separator-Lock (PLYB) (专利号: 201430085644.6)

产品属性 Product Features

表面处理: 振光黄古铜 Finish: PLYB	锁芯: S坑、蛇槽5条黄铜匙 Keys: 5 lines of "s" tyle pits solid brass key
锁把手材质: 铜 Lever material: Brass	锁面板中心孔距: 143.1mm Central hole distance of face plate: 143.1mm
锁面板材质: 铜 Lock strike plate material: Brass	适合门厚: 38-52mm Available door thickness: 38-52mm
锁体: HD-85-50E 独特斜舌活舌设计 Lock Distance: a unique slating tongue design	适合范围: 各种木质门扇 Available for: All kinds of wooden door leaves
锁芯: HD-85-76B 高精度蛇槽锁芯 Lock Cylinder: High security with bending slot	特点: 互开率低 Features: Low interopening

产品结构图:图例  
Product Structure drawing:drawing sample

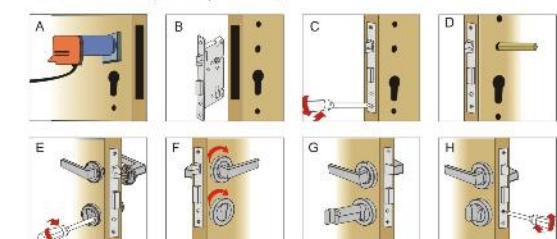


分体锁安装步骤:

1. 确保斜舌斜面与关门方向一致, 当需要调整锁体开门方向时, 向上拨开斜舌换向片, 将斜舌推入锁体后, 旋转180°, 根据安装纸规画线开孔(如下图: A)。
2. 将锁体放入孔; 预紧衬板螺钉, 分别从锁圈和把手圈上折出外盖; 将方杆穿过门板插入锁体(如下图: B-D)。
3. 安装内外把手圈, 使把手转动顺畅; 拧紧螺钉, 安装内外锁圈, 插入锁芯(如下图: E-G)。
4. 使钥匙及旋钮转动顺畅, 拧紧螺钉, 安装扣板及扣盒, 对齐锁体, 应使锁舌与之配合顺畅, 拧紧螺钉(如下图: H)。

Separator-lock installation steps:

1. Make sure the incline of the tongue go with the closing direction. When it is necessary to adjust the opening direction of the lock, remove the commutator bar of the inclined tongue, and push the tongue into the lock, rotate 180°. Draw lines and make holes according to the installation specification. (As the picture: A)
2. Place the lock into the hole. Pre-fix the screws of the back veneer. Remove the cover from the locking collar and handle collar. Insert the square bar through the door and into the lock. (As the picture: B-D)
3. Install the inner and outer parts of the handle collar. Make the handle run smoothly, and fix the screws. Install the inner and outer locking collar. (As the picture: E-G)
4. Insert the lock cylinder. Make the key and knob run smoothly. Fix the screws. Install the gusset plate and gusset box. make them parallel to the lock and match the lock tongue. Fix the screws. (As the picture: H)



提示: 为保护产品外观和功能, 安装门锁前请将手洗净或戴上干净的布料类作业手套。装饰门面时, 特别是门面如贴上油漆, 请将已装好的门锁卸下, 待装修完毕后再装上。  
Attention: In order to protect the lock's surface and function, please wash your hands or wear working gloves when install it. If decorated doors, please take off the lock first, after that, put on it again.



Elaborate realm  
匠心境界

Wise In The Fine Detail  
And Luxury In The Exterior.  
智范◎精于心 奢于形。

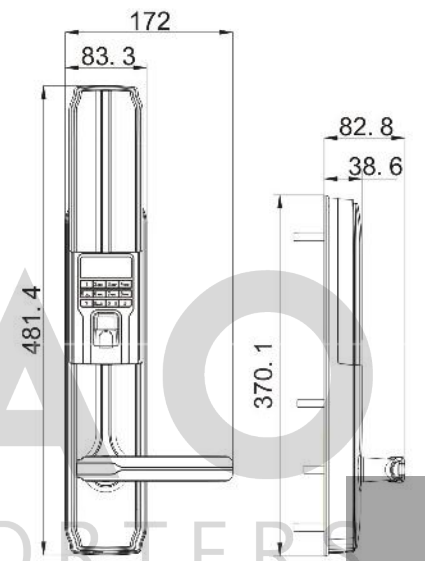


+ (86) 186-8880-7020

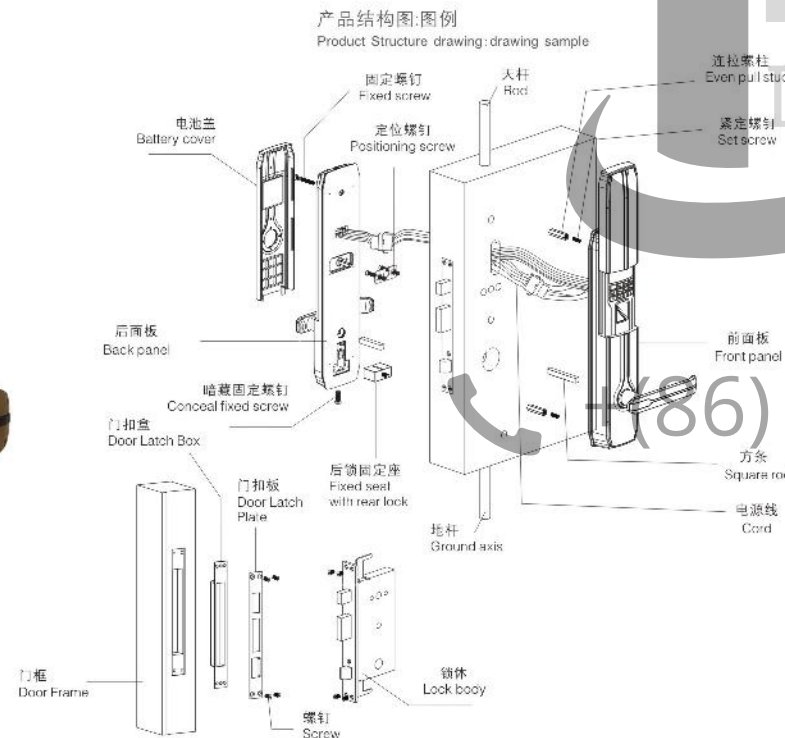
Deep into the richest and busiest city, we display you a modern and elaborate realm. Hutlon intelligent fingerprint and password lock is designed by the most experienced artist and craftsman. Meanwhile, it is also achievement of the high-tech productive process which promotes a new model of the intelligent electronic lock realm. Combining the wisdom and science and technology realizes the highest level of quality and security.

在城市最繁华的深处以匠心雕琢现代精奢境界。  
艺术家的眼光和工艺大师的技艺：汇泰龙智范指纹密码锁由专注的、富有独创精神的工程师们精心打造而成。同时，它也是高科技生产过程的成果，这些过程为智能锁制造领域创建了新的典范。  
这种智慧与科技的结合实现了最高水平的质量和安全性。

HW-2 097-098

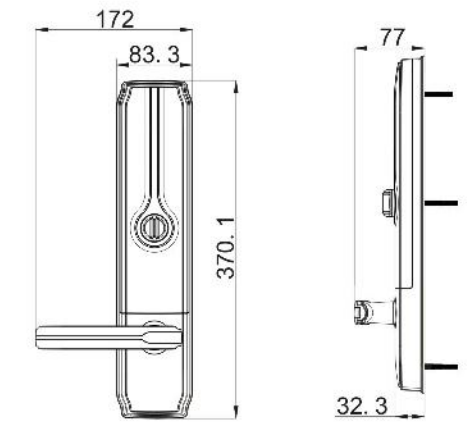


HZ-69005 智范 指纹密码锁  
GEVEN



二、配件图  
parts illustration

编号 NO	名称 description	图示 Diagram Form	数量 Quantity	编号 NO	名称 description	图示 Diagram Form	数量 Quantity	编号 NO	名称 description	图示 Diagram Form	数量 Quantity
01	前面板 Front panel		1	06	门扣盒 Door latch box		1	11	后面板 Back panel		1
02	锁体 Lock body		1	07	门扣板 Door latch plate		1	12	锁体固定片 Lock body stabilizer		1
03	连拉螺柱 Even pull stud		2	08	方条 Square rod		2	13	定位螺钉 Positioning screw		2
04	固定螺钉 Set screw		2	09	固定螺钉 Fixed screw		1	14	门扣板固定螺钉 Fixed screw for latch plate		4
05	后锁固定座 Fixed seat with rear lock		1	10	隐藏固定螺钉 Conceal fixed screw		1	15	应急机械钥匙 key lock		3



智范 GEVEN

HZ-69005 指纹密码锁 拉丝金  
Fingerprint Password Lock SG

可选颜色: SN 拉丝金 AR 青古铜 AC 红古铜  
Solactive color: SG

产品属性 Product Features

表面处理: 拉丝金 Finish: SG	锁体: 电子锁体 HZ-004-T/M Lock Distance: HZ-004-T/M
锁把手材质: 锌合金 Lever material: Zinc Alloy	适合门厚: 50-65mm Available door thickness: 50-65mm
锁面板材质: 锌合金 Lock strike plate material: Zinc Alloy	钥匙: 3条电脑双排8珠+蛇形槽 Keys: 3 pcs of computer double row with 8 ball + snake-like groove keys

指纹识别技术: 国际先进360度指纹识别; 密码核心技术: 密码防泄, 触屏式感应模块; 感应技术: 快速防冲撞机制, 防数据干扰; 遥控核心技术: 超灵敏度和快速响应; Fingerprint identification: 360 degree; Password identification: password leakage prevention, touch induction module; Sensor technology: leakage and conflict prevention to avoid data interference; Remote control identification: high sensitivity and ultra-fast response

特别提示: 右开/门锁, 锁面板不分左右, 锁体分左右及锁门木, 本系列产品分左开门和右开门。  
Special Notice: Lock-right open, Lock plate case(left and right), Lock classified:left and right iron and wood. This series lock divided into Left-open and right-open.

产品优点 Product Feature:

- 支持指纹、密码、应急机械钥匙、遥控(选配)开锁; 2. OLED显示操作菜单, 及智能语音提示, 组成傻瓜式操作, 直观方便、简洁; 3. 上提把手实现反锁, 把手可防止暴力破坏, 安全可靠; 4. 一体化结构, 坚固耐用、铸造精细、造型美观; 5. 智能语音报警功能、键盘锁定保护功能; 6. 采用国际先进的生物识别技术; 7. 用户名实名制, 可输入12位以下英文字母与数字。
- Emergency mechanical support fingerprint password key remote control (optional) the lock; 2. OLED display the operation menu, and the intelligent voice prompt, form a fool operation, intuitive and convenient and concise; 3. Lift handle is double locked, can prevent violent destruction, safe and reliable; 4. Integration of structural design, fine casting, handsome and fashionable appearance; 5. Intelligent voice alarm function keyboard lock protection function; 6. Adopt international advanced biometric technology; 7. User name real-name system, type 12 the following English letters and Numbers.

! 警示功能 ALARM FUNCTION

- 斜舌报警 Latch bolt alarm
- 低压报警 pressure alarm
- 防撬报警 Pry proof alarm

管理功能 MANAGEMENT FUNCTION

- 增加与删除指纹操作 Increase and remove fingerprint operation
- 增加与删除密码操作 Increase and remove password operation
- 查看与清空记录操作 Check and clear the record of operation

常规设置 (设置时钟、语言)

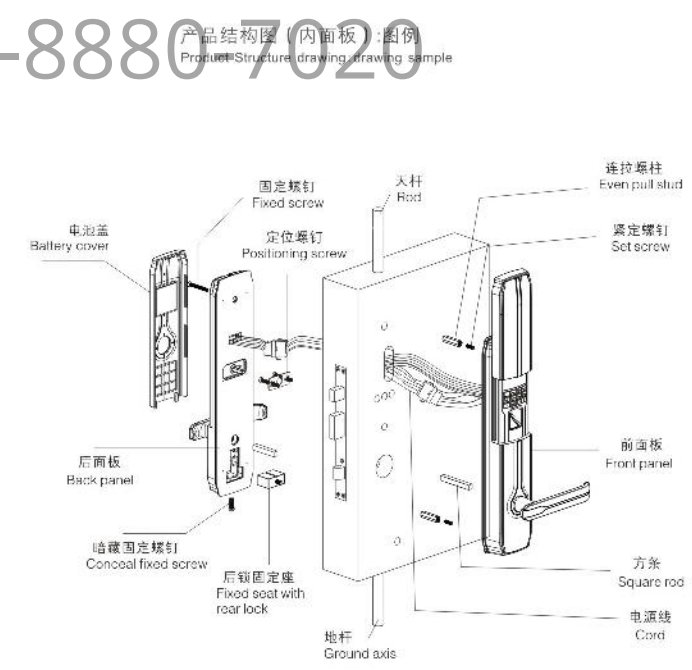
General setup ( set the clock, language )

智能电子锁 Intelligent Electronic Locks

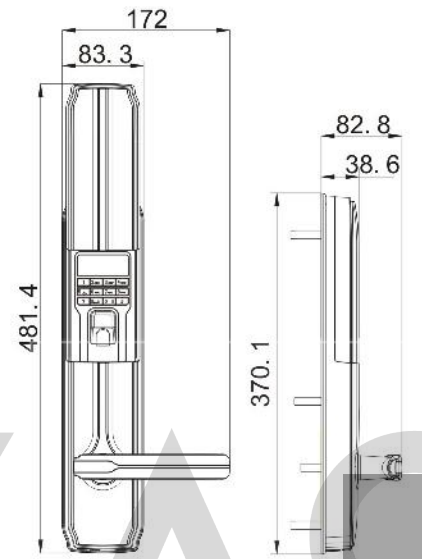
四合一超人性化开锁方式 Four IN ONE



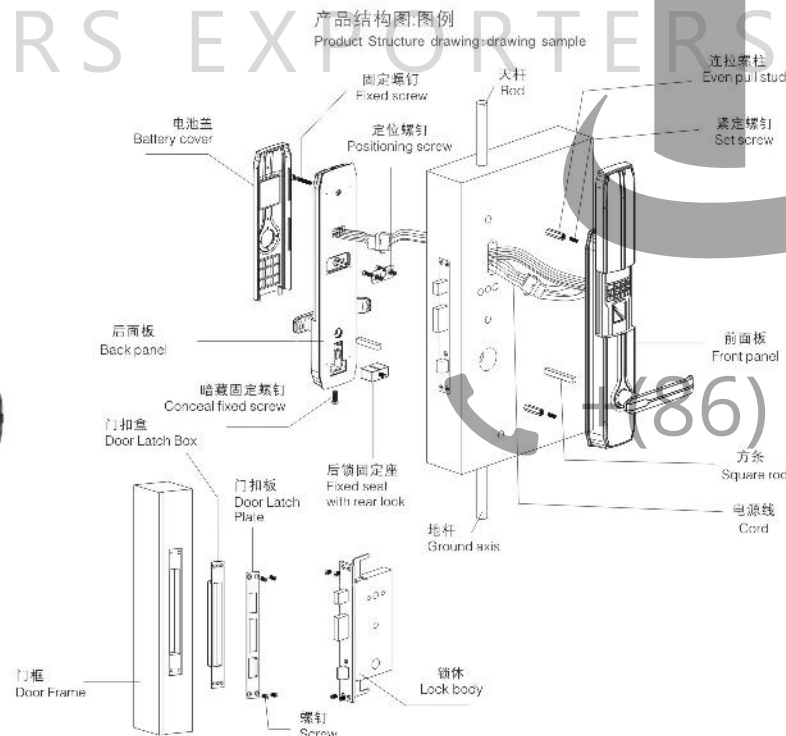
- 指纹开锁 Fingerprint Lock
- 密码开锁 Password Lock
- 应急机械钥匙开锁 Key Lock
- 遥控开锁 Remote control unlocking



(86) 186-8880-7020

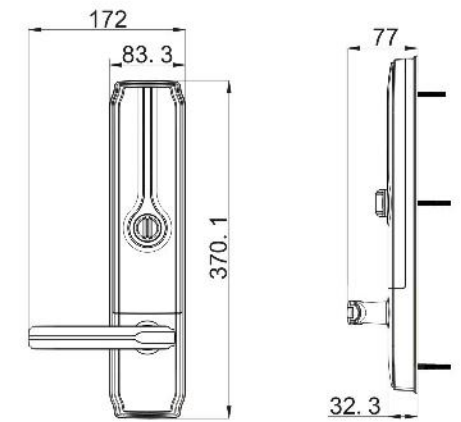


HZ-69005 智范 指纹密码锁  
GEVEN



二、配件图  
parts illustration

编号 NO	名称 description	图示 Diagram Form	数量 Quantity	编号 NO	名称 description	图示 Diagram Form	数量 Quantity	编号 NO	名称 description	图示 Diagram Form	数量 Quantity
01	前面板 Front panel		1	06	门扣盒 Door latch box		1	11	后面板 Back panel		1
02	锁体 Lock Body		1	07	门扣板 Door latch plate		1	12	锁体固定片 Lock body slat		1
03	连拉螺柱 Even pull stud		2	08	方条 Square rod		2	13	定位螺钉 Positioning screw		2
04	固定螺钉 Set screw		2	09	固定螺钉 Fixed screw		1	14	门扣板固定螺钉 Fixed screw for latch plate		4
05	后锁固定座 Fixed seat with rear lock		1	10	暗锁固定螺钉 Conceal fixed screw		1	15	应急机械钥匙 key lock		3



**智范 GEVEN**  
HZ-69005 指纹密码锁 拉丝锁  
Fingerprint Password Lock SN

可选颜色: SG 拉丝银 AR 青古铜 AC 古铜色  
Selective color: SG Silver AR Green Copper AC Bronze

产品属性	Product Features
表面处理: 拉丝锁 Finish: SN	锁体: 电子锁体 HZ-004-T/M Lock Distance: HZ-004-T/M
锁把手材质: 锌合金 Lever material: Zinc Alloy	适合门厚: 50-65mm Available door thickness: 50-65mm
锁面板材质: 锌合金 Lock strike plate material: Zinc Alloy	钥匙: 3条电脑双排8珠+蛇形槽 Keys: 3 pcs of computer double row with 8 ball + snake-like groove keys

指纹识别技术: 国际先进360度指纹识别; 密码核心技术: 密码防泄, 触屏式感应模块; 感应技术: 快速防冲激励机制, 防数据干扰; 遥控核心技术: 超灵敏度和快速响应  
Fingerprint identification: 360 degree; Password identification: password leakage prevention, touch induction module; Sensor technology: leakage and conflict prevention to avoid data interference; Remote control identification: high sensitivity and ultra-fast response

特别提示: 右开门锁, 锁面板不分左右, 锁体分左右及锁门木, 本系列产品分左开门和右开门。  
Special Notice: Lock-right open, Lock plate case(left and right), Lock classified:left and right iron and wood. This series lock divided into Left-open and right-open.

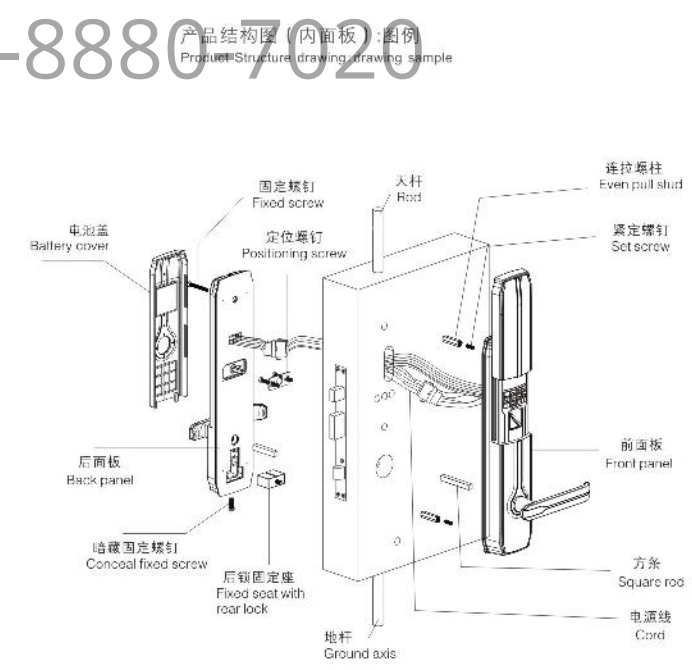
- 产品优点 Product Feature:**
- 支持指纹、密码、应急机械钥匙、遥控(选配)开锁; 2. OLED显示操作菜单, 及智能语音提示, 组成傻瓜式操作, 直观方便、简洁; 3. 上提把手实现反锁, 把手可防止暴力破坏, 安全可靠; 4. 一体化结构, 坚固耐用, 铸造精细, 造型美观; 5. 智能语音报警功能、键盘锁定保护功能; 6. 采用国际先进的生物识别技术; 7. 用户名实名制, 可输入12位以下英文字母与数字。
  - Emergency mechanical support fingerprint password key remote control (optional) the lock; 2. OLED display the operation menu, and the intelligent voice prompt, form a fool operation, intuitive and convenient and concise; 3. Lift handle is double locked, can prevent violent destruction, safe and reliable; 4. Integration of structural design, fine casting, handsome and fashionable appearance; 5. Intelligent voice alarm function keyboard lock protection function; 6. Adopt international advanced biometric technology; 7. User name real-name system, type 12 the following English letters and Numbers.

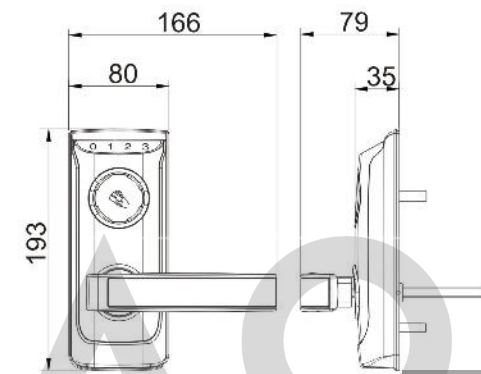
- ! 警示功能 ALARM FUNCTION**  
斜舌报警 Latch bolt alarm 低压报警 pressure alarm 防撬报警 Pry proof alarm

- 管理功能 MANAGEMENT FUNCTION**
- 增加与删除指纹操作 Increase and remove fingerprint operation
  - 增加与删除密码操作 Increase and remove password operation
  - 查看与清空记录操作 Check and clear the record of operation

- 常规设置 (设置时钟、语言)**  
General setup ( set the clock, language )

智能电子锁 Intelligent Electronic Locks  
四合一超人性化开锁方式 Four IN ONE



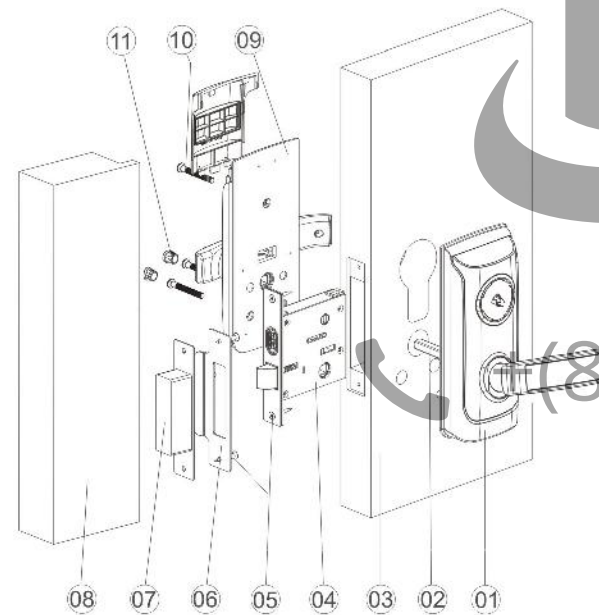


HZ-69161 智轩 房门感应卡密码锁  
ZHI XUAN

产品结构图:图例

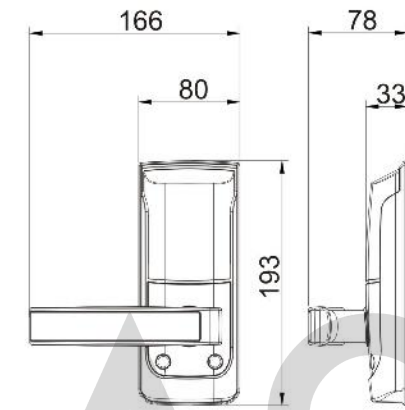
Product Structure drawing: drawing sample

- 01 前面板 Front panel
- 02 大方轴 Generous axis
- 03 木门 Door
- 04 锁体 Lock Body
- 05 十字槽沉头自攻螺钉 cross recess countersunk head self-lapping ball
- 06 门扣板 Door Latch Plate
- 07 门扣盒 Door Latch Box
- 08 门框板 Door Frame
- 09 后面板 Back panel
- 10 十字槽半沉头螺钉 Cross half countersunk head screw
- 11 螺钉塞 retaining screw



二、配件规格表  
Part list

编号 NO	名称 description	图示 Diagram Form	数量 Quantity	编号 NO	名称 description	图示 Diagram Form	数量 Quantity	编号 NO	名称 description	图示 Diagram Form	数量 Quantity
01	前面板 Front panel		1	06	前垫板 frontal base plate		1	11	后面板 Back panel		1
02	单锁舌锁体 Monolock tongue lock body		1	07	后垫板 rear base plate		1	12	应急机械钥匙 Key lock		3
03	门扣盒 Door Latch Box		1	08	沉头自攻螺钉 countersunk self-lapping ball		4	13	开孔模板 Template of opening holes		1
04	门扣板 Door Latch Plate		1	09	半沉头十字螺钉 Cross half countersunk head screw		3	14	感应卡 IS.26M-2 Smart card		3
05	螺钉塞 retaining screw		2	10	大方轴 Generous axis		1				



智轩 ZHI XUAN

HZ-69161 房门感应卡密码锁 琥珀金  
Door induction card coded lock (AG)

产品属性 Product Features

表面处理: 琥珀金 Finish: Amber Gold	锁体: 单锁舌锁体 Lock body: Monolock tongue lock body
锁把手材质: 锌合金 Lever material: Zinc Alloy	适合门厚: 38-50mm Available door thickness: 38-50mm
锁面板材质: 锌合金 Lock strike plate material: Zinc Alloy	钥匙: 3条双排珠白铜钥匙 Keys: 3 pcs of double beads white brass keys

感应技术:快速防冲突机制,防数据干扰;密码核心技术:密码防泄,触碰式感应模块  
Sensor technology: leakage and conflict prevention to avoid data interference; Password identification: password leakage prevention, touch induction module

特别提示:左开门锁锁面板分左右,锁体不分左右内外开,本系列产品门板分左右开,锁体不分左右内外开。  
Special Notice: Lock-right open, Lock plate classified: left and right, Lock case(left and right), This series lock divided into Left-open and right-open

产品优缺点 Product Feature:

1. 感应卡、密码、机械钥匙开锁设计,使用更人性化;
2. 响应时间小于0.5秒;
3. 密码防泄功能;
4. 具有常开、静音、报警功能;
5. 采用复合锁体结构设计,防钻、防撬的面板设计,抗破坏性强;
6. 游离把手:采用全新“独立式电机离合设计”技术;
7. 铸造精细,造型美观,坚固耐用,安全可靠,操作方便。

1. Induction card, password, mechanical key unlock design, humanized use;
2. Response time is less than 0.5 seconds;
3. Passwords protection function;
4. Normally open, mute, alarm function;
5. Adopted complex lock body structure design, drilling, pry the panel design, strong destructive;
6. Free hand: adopt the new "independent type clutch motor design" technology;
7. Delicate casting, beautiful appearance, durable, safe and reliable, easy to operate.

! 警示功能 ALARM FUNCTION

门未关好报警 低压报警 伪密码报警  
Unlock alarm Low pressure alarm False password alarm

• 管理功能 MANAGEMENT FUNCTION

- 增加与删除感应卡操作  
Add and cancel induction card operation
- 增加与删除密码操作  
Increase and remove password operation
- 增加与删除感应卡操作  
Add and cancel induction card operation

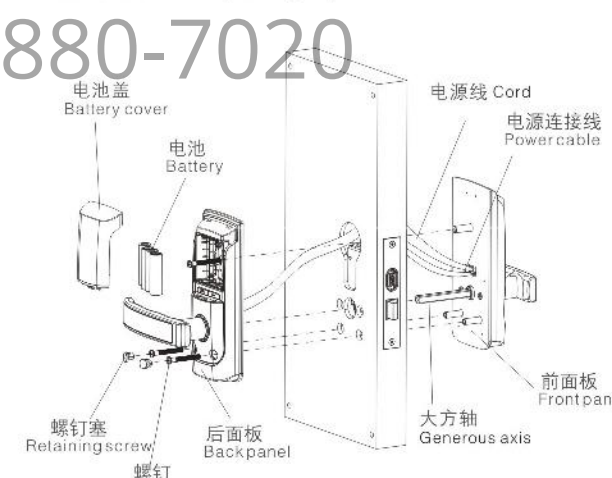
• 常规设置 (设置时钟、语言)  
General setup (set the clock, language)

智能电子锁 Intelligent Electronic Locks

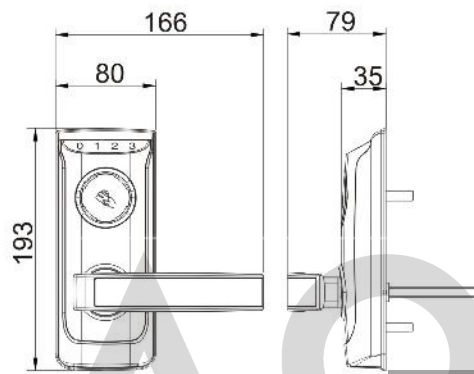
三合一超人性化开锁方式 THREE IN ONE



产品结构图 (内面板):图例  
Product Structure drawing: drawing sample



(86) 186-8880-7020

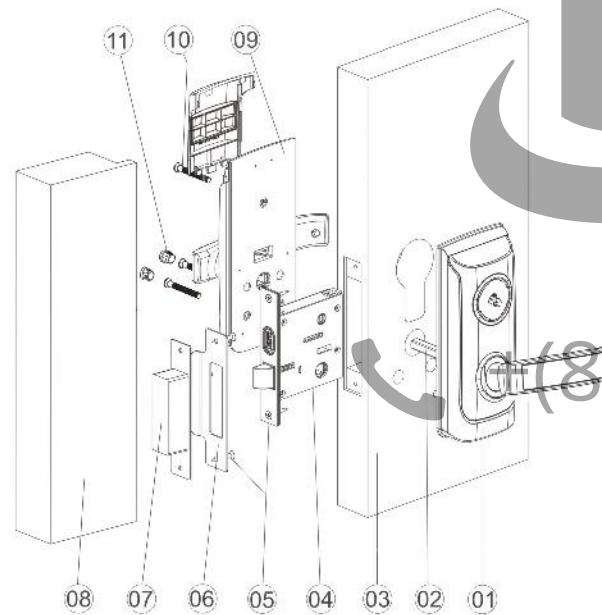


HZ-69161 智轩 房门感应卡密码锁  
ZHI XUAN

产品结构图:图例

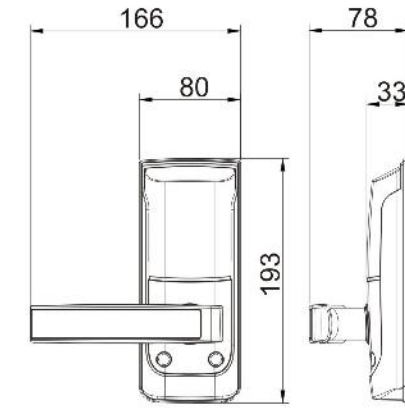
Product Structure drawing: drawing sample

- 01 前面板 Front panel
- 02 大方轴 Generous axis
- 03 木门 Door
- 04 锁体 Lock Body
- 05 十字槽沉头自攻螺钉 cross recess countersunk head self-lapping ball
- 06 门扣板 Door Latch Plate
- 07 门扣盒 Door Latch Box
- 08 门框板 Door Frame
- 09 后面板 Back panel
- 10 十字槽半沉头螺钉 Cross half countersunk head screw
- 11 螺钉塞 retaining screw



二、配件规格表  
Part list

编号 NO	名称 description	图示 Diagram Form	数量 Quantity	编号 NO	名称 description	图示 Diagram Form	数量 Quantity	编号 NO	名称 description	图示 Diagram Form	数量 Quantity
01	前面板 Front panel		1	06	前垫板 frontal base plate		1	11	后面板 Backpanel		1
02	单锁舌锁体 Monolock tongue lock body		1	07	后垫板 rear base plate		1	12	应急机械钥匙 Key lock		3
03	门扣盒 Door Latch Box		1	08	沉头自攻螺钉 countersunk self-lapping ball		4	13	开孔模板 Template of opening holes		1
04	门扣板 Door Latch Plate		1	09	半沉头十字螺钉 Cross half countersunk head screw		3	14	感应卡 IS-26M-2 Smart card		3
05	螺钉塞 retaining screw		2	10	大方轴 Generous axis		1				



智轩 ZHI XUAN

HZ-69161 房门感应卡密码锁 泰坦银  
Door induction card coded lock (TS)

产品属性 Product Features

表面处理: 泰坦银 Finish: Titan Silver	锁体: 单锁舌锁体 Lock body: Monolock tongue lock body
锁把手材质: 锌合金 Lever material: Zinc Alloy	适合门厚: 38-50mm Available door thickness: 38-50mm
锁面板材质: 锌合金 Lock strike plate material: Zinc Alloy	钥匙: 3条双排珠白铜钥匙 Keys: 3 pcs of double beads white brass keys

感应技术:快速防冲突机制,防数据干扰;密码核心技术:密码防泄,触碰式感应模块;  
Sensor technology: leakage and conflict prevention to avoid data interference;  
Password identification: password leakage prevention, touch induction module

特别提示:左开门门锁,锁体分左右,锁体不分左右内开,左系列产品,锁体分左右内开,锁体不分左右内开。  
Special Notice: Lock-right open, Lock plate classified: left and right, Lock case(left and right), This series lock devided into Left-open and right-open

产品优缺点 Product Feature:

1. 感应卡、密码、机械钥匙开锁设计,使用更人性化;
2. 响应时间小于0.5秒;
3. 密码防泄功能;
4. 具有常开、静音、报警功能;
5. 采用复合锁体结构设计,防钻、防撬的面板设计,抗破坏性强;
6. 游离把手:采用全新“独立式电机离合设计”技术;
7. 铸造精细,造型美观,坚固耐用,安全可靠,操作方便。

1. Induction card, password, mechanical key unlock design, humanized use;
2. Response time is less than 0.5 seconds;
3. Passwords protection function;
4. Normally open, mute, alarm function;
5. Adopted complex lock body structure design, drilling, pry the panel design, strong destructive;
6. Free hand: adopt the new "independent type clutch motor design" technology;
7. Delicate casting, beautiful appearance, durable, safe and reliable, easy to operate.

! 警告功能 ALARM FUNCTION

门未关好报警 低压报警 伪密码报警  
Unlock alarm Low pressure alarm False password alarm

• 管理功能 MANAGEMENT FUNCTION

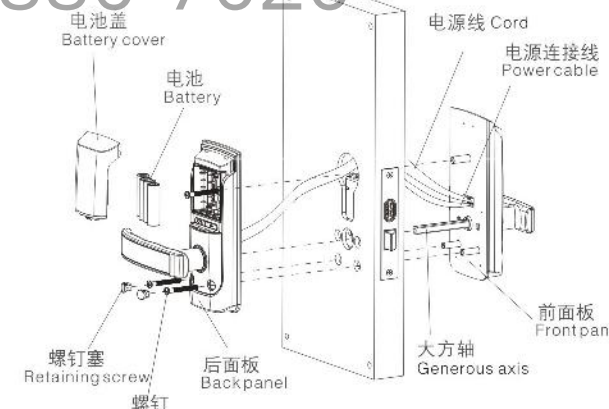
- 增加与删除感应卡操作  
Add and cancel induction card operation
- 增加与删除密码操作  
Increase and remove password operation
- 增加与删除感应卡操作  
Add and cancel induction card operation

• 常规设置 (设置时钟、语言)  
General setup ( set the clock, language )

智能电子锁 Intelligent Electronic Locks  
三合一超人性化开锁方式 THREE IN ONE



产品结构图 (内面板):图例  
Product Structure drawing: drawing sample



(86) 186-8880-7020



1

智能电子锁系列 Intelligent Electronic Locks



智能电子锁系列 Intelligent Electronic Locks



1

ONE 智慧新生活  
Intelligent Electronic Locks  
米兰世界博览会金牌战略合作伙伴  
STRAATEGIC PARTNER OF EXPO2015 MILANO

ONE Intelligent Electronic Locks  
米兰世界博览会金牌战略合作伙伴  
STRAATEGIC PARTNER OF EXPO2015 MILANO



随着科技的不断发展，社会也开始进入了智能化时代，智能化产品也逐渐进入寻常百姓家，智能化家居正成为发展的潮流，智能电子锁的出现也是必然的发展趋势，是未来家居中不可或缺的重要组成部分。

With technological development, social and began to the intelligent, too intelligent products into the ordinary homes, intellectualized home is a development trend of the electronic lock that there is also inevitable trend of development and future home in an important component.

IMPORTERS EXPORERS + (86) 186-8880-7020

IMEXAO IMPORTERS EXPORERS



更人性化开锁方式 More humane way for unlock



- ! 警示功能 Alarm function
- 门未关好报警 Unlock alarm
- 低压报警 Low pressure alarm
- 伪密码报警 False password alarm

- 管理功能 Management function
  - 增加与删除指纹操作 Increase and remove fingerprint operation
  - 增加与删除密码操作 Increase and remove password operation
  - 查看与清空记录操作 Check and clear the record of operation

- 产品优特点 Product Feature:
  - ◎先进的指纹、密码开锁技术设计，使用更人性化；
  - ◎智能双核双电路设计理念，指纹、密码供电及控制系统完全独立，产品性能更稳定；
  - ◎采用日本万宝至电机；◎密码防泄功能；◎伪密码报警功能；
  - ◎500dpi高精度传感器分辨率，实现360度指纹识别，并具有先进的指纹使用信息储存；
  - ◎采用复合锁体结构设计：防钻、防撬的面板设计，抗破坏性强；
  - ◎游离把手：采用全新“独立式电动机离合设计”技术。
  - ◎隐藏式应急机械钥匙；
  - ◎采用国际先进的生物技术，确保优质品质；
  - ◎体化结构设计，铸造精细，造型美观时尚；
  - ◎人性化警示功能设计。
  - ◎Advanced fingerprint&password technical design, the use of more humane;
  - ◎Intelligent dual-core, dual-circuit design, power supply of fingerprint&password and control system is completely independent. The product performance is more stable;
  - ◎Adopt Mabuchi motor of Japan. ◎Password Anti-leak, ◎Password Anti-leakage function
  - ◎500dpi high-precision sensor resolution, achieve 360 degree identification, and store the advanced fingerprint use information.
  - ◎Adopt the structural design of composite lock body: Anti-drilling, anti-skid panel design, strong anti-destructive.
  - ◎Free handle: adopt the new "stand-alone motor clutch design" technology.
  - ◎Concealed emergency mechanical key;
  - ◎Adopting international advanced bio-technology to ensure the top quality.
  - ◎Integration of structural design, fine casting, handsome and fashionable appearance.
  - ◎Human alert function design.

 **Hutlon**<sup>®</sup>

intelligent  
**Electronic**  
Lock  
智能电子锁

IMPACT IMPORTERS

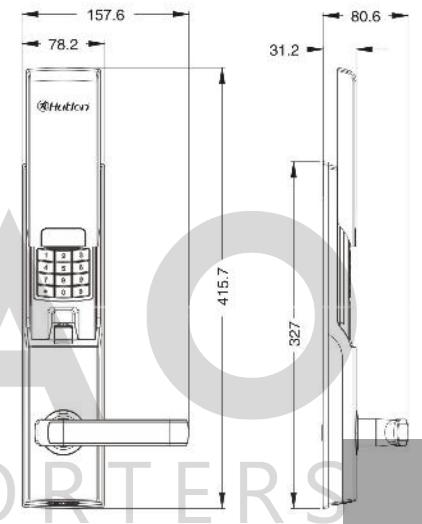
+ (86) 186-8880-7020

Intelligent Electronic Locks



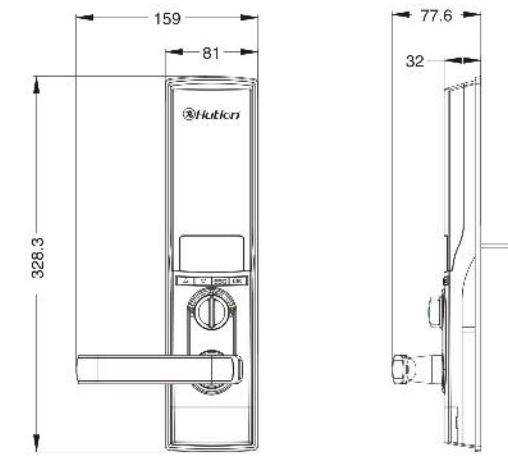
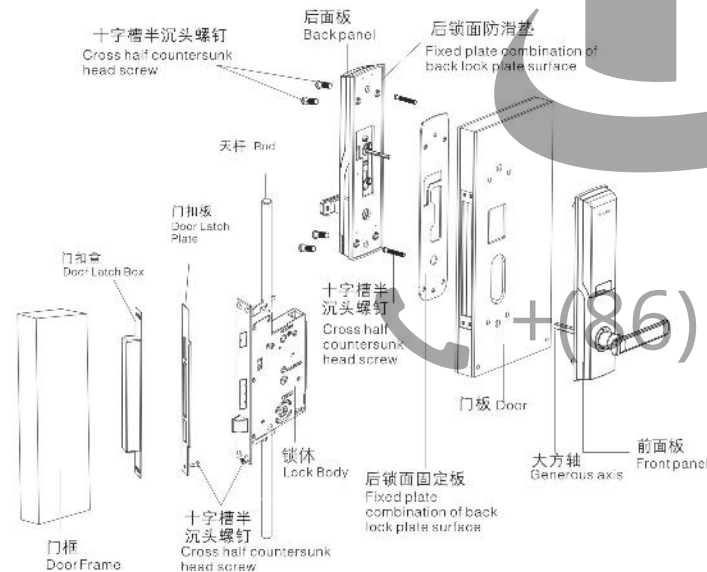
**HW-2 149-150**

IMPACT EXPORTERS



HZ-69001 智臻 指纹密码锁  
ZHI ZHEN

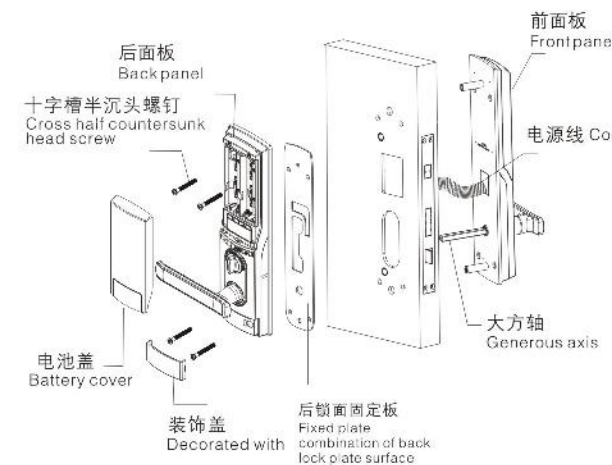
产品结构图:图例  
Product Structure drawing: drawing sample



智臻 ZHI ZHEN  
HZ-69001R 指纹密码锁 琥珀金  
Fingerprint Password Lock (AG)

产品属性	Product Features
表面处理: 琥珀金 Finish: Amber Gold	锁体: 电子锁体 HZ-001-T/M Lock body : HZ-001-T/M
锁把手材质: 锌合金 Lever material: Zinc Alloy	适合门厚: 50-65mm Available door thickness: 50-65mm
锁面板材质: 锌合金 Lock strike plate material: Zinc Alloy	钥匙: 3条双排珠白铜钥匙 Keys: 3 pos of double beads white brass keys
指纹识别技术: 国际先进360度指纹识别; 密码核心技术; Fingerprint identification: 360 degree; Password identification	
特别提示: 右开门门锁, 锁面板分左右, 锁体不分左右。本系列产品分左开门和右开门。 Special Notice: Lock-right open, Lock plate classified:left and right, Lock case(left and right). This series lock divided into Left-open and right-open.	

- 产品优点 Product Feature:
1. 先进的指纹、密码开锁技术设计, 使用更人性化; 2. 智能双核双电路设计理念, 指纹、密码供电及控制系统完全独立, 产品性能更稳定; 3. 采用日本万宝至电机; 4. 防密码报警功能; 5. 密码防泄功能; 6. 500dpi高精度传感器分辨率, 实现360度指纹识别, 并具有先进的指纹使用信息存储; 7. 采用复合锁体结构设计: 防钻、防撬的面板设计, 抗破坏性强; 8. 游离把手: 采用全新“独立式电动机离合设计”技术; 9. 隐藏式应急机械钥匙; 10. 采用国际先进的生物技术, 确保优质品质; 11. 体化结构设计, 铸造精细, 造型美观时尚; 12. 人性化警示功能设计。
- 1.advanced fingerprint&password technical design, the use of more humane 2.intelligent dual-core, dual-circuit design, power supply of fingerprint&password and control system is completely independent. The product performance is more stable. 3.adopt Mabuchi motor of Japan. 4.Password Anti-leak. 5.Password Anti-leakage function. 6.500dpi high-precision sensor resolution, achieve 360 degree identification, and store the advanced fingerprint use information. strong anti-destructive 8.free handle: adopt the new "stand-alone motor clutch design" technology. 9.concealed emergency mechanical key. 10.adopting international advanced bio-technology to ensure the top quality. 11.integration of structural design, fine casting, handsome and fashionable appearance. 12.human alert function design.



- ! 警示功能 ALARM FUNCTION
- 斜舌报警 Latch bolt alarm
  - 低压报警 pressure alarm
  - 防撬报警 Pry proof alarm

- 管理功能 MANAGEMENT FUNCTION
- 增加与删除指纹操作 Increase and remove fingerprint operation
  - 增加与删除密码操作 Increase and remove password operation
  - 查看与清空记录操作 Check and clear the record of operation

- 常规设置 (设置时钟、语言)  
General setup ( set the clock, language )

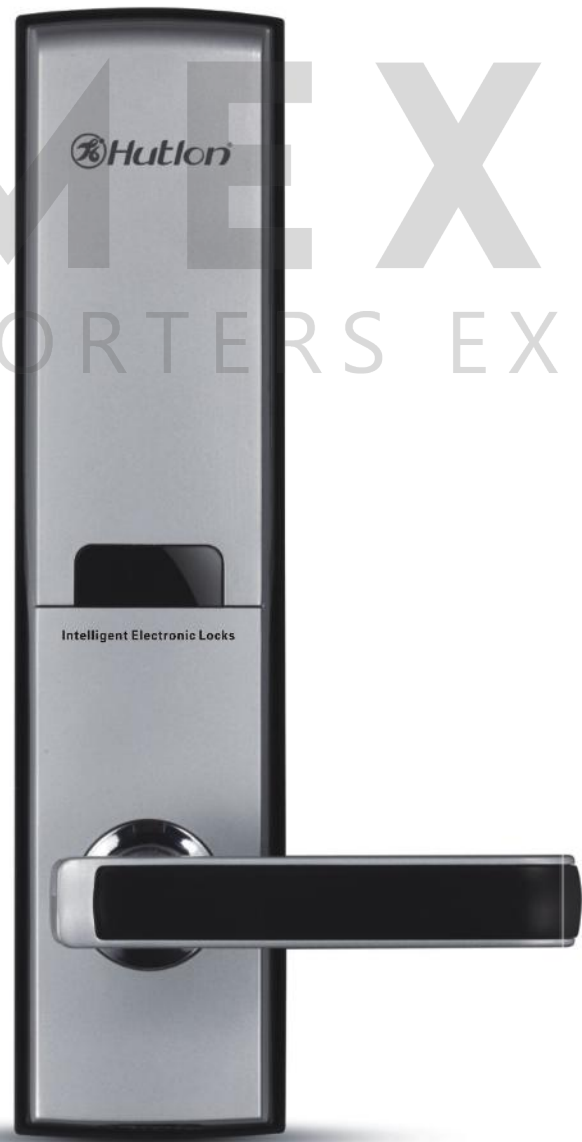
智能电子锁 Intelligent Electronic Locks  
三合一超人性化开锁方式 THREE IN ONE



二、配件规格表  
Part list

编号 NO	名称 description	图示 Diagram Form	数量 Quantity	编号 NO	名称 description	图示 Diagram Form	数量 Quantity	编号 NO	名称 description	图示 Diagram Form	数量 Quantity
01	前面板 Front panel		1	06	半沉头螺钉 Fixed screw		2	11	后面板 Back panel		1
02	大方轴 Generous axis		各1	07	门扣板 Door Latch Plate		1	12	装饰盖 Decorated with		1
03	后面板固定板 Fixed plate		1	08	门扣盒 Door Latch Box		1	13	锁体固定螺钉 Fixed screw		4
04	锁体 Lock Body		1	09	门扣板固定螺钉 Latch screw		4	14	应急机械钥匙 Key lock		3
05	前面面防溢盖 Fixed plate combination of front lock plate surface		1	10	后面面防溢盖 Fixed plate combination of back lock plate surface		1				

INMEXAC  
IMPORTERS EXPORTERS



+(86) 186-8880-7020

**HW-2 153-154**

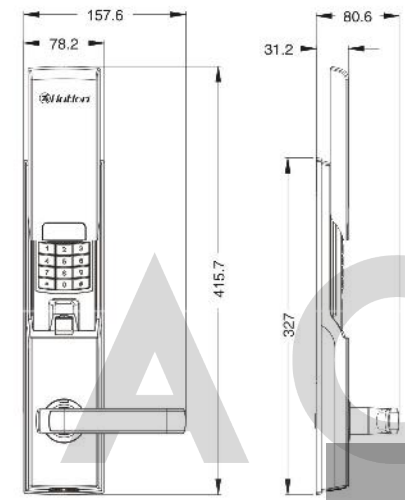


**Intelligent Electronic  
DOOR LOCK**

智能电子门锁

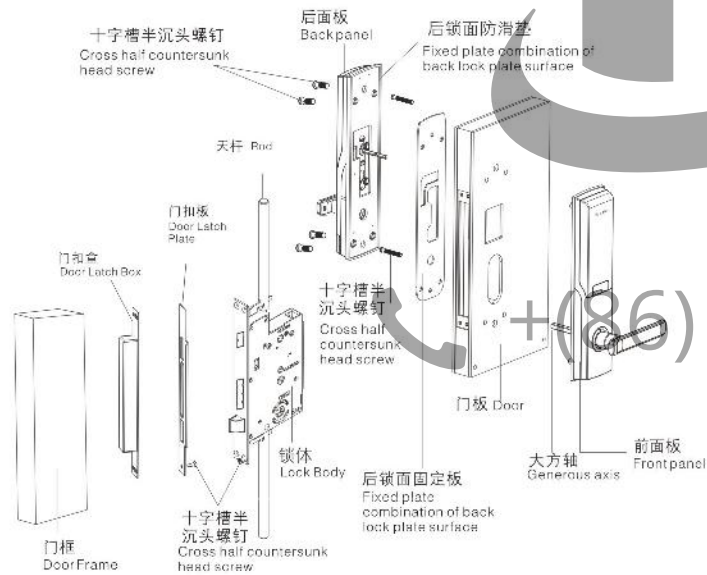
该款智能电子锁具有密码开门、指纹开门、钥匙开门三种开锁方式，全方位满足消费者不同个性需求，为人们日常生活提供更多的便捷和舒适的生活享受。

Hutlon Intelligent Electronic Locks is not only beautiful, delicate design, and more humanized functional design and fingerprints, passwords to open the door, open the key to unlock the door, open three different ways, comprehensive satisfy customers demand for the people's daily life more convenient, comfortable and enjoy security of life.



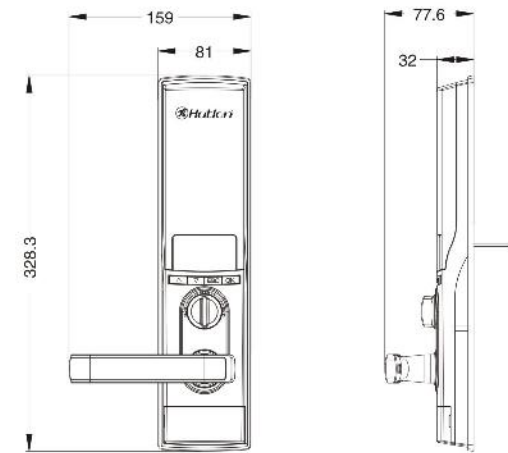
HZ-69001 智臻 指纹密码锁  
ZHI ZHEN

产品结构图:图例  
Product Structure drawing: drawing sample



二、配件规格表  
Part list

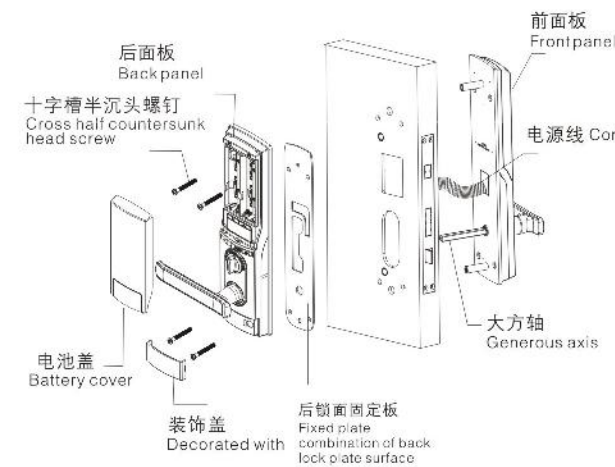
编号 NO	名称 description	图示 Diagram Form	数量 Quantity	编号 NO	名称 description	图示 Diagram Form	数量 Quantity	编号 NO	名称 description	图示 Diagram Form	数量 Quantity
01	前面板 Frontpanel		1	06	半沉头螺钉 Fixed screw		2	11	后面板 Backpanel		1
02	大方轴 Generous axis		各1	07	门扣板 Door Latch Plate		1	12	装饰盖 Decorated with		1
03	后锁体固定板 Fixed plate		1	08	门扣盒 Door Latch Box		1	13	锁体固定螺钉 Fixed screw		4
04	锁体 Lock Body		1	09	门扣板固定螺钉 Latch screw		4	14	应急机械钥匙 Key lock		3
05	前锁面防溢盖 Fixed plate combination of front lock plate surface		1	10	后锁面防溢盖 Fixed plate combination of back lock plate surface		1				



智臻 ZHI ZHEN  
HZ-69001R 指纹密码锁 泰坦银  
Fingerprint Password Lock ( TS )

产品属性 Product Features	Product Features
表面处理: 泰坦银 Finish: Titan Silver	锁体: 电子锁体 HZ-001-T/M Lock body : HZ-001-T/M
锁把手材质: 锌合金 Lever material: Zinc Alloy	适合门厚: 50-65mm Available door thickness: 50-65mm
锁面板材质: 锌合金 Lock strike plate material: Zinc Alloy	钥匙: 3条双排珠白铜钥匙 Keys: 3 pos of double beads white brass keys
指纹识别技术: 国际先进360度指纹识别; 密码核心技术; Fingerprint identification: 360 degree; Password identification	
特别提示: 右开门门锁, 锁面板分左右, 锁体不分左右。本系列产品分左开门和右开门。 Special Notice: Lock-right open, Lock plate classified:left and right, Lock case(left and right). This series lock divided into Left-open and right-open.	

- 产品优点 Product Feature:
1. 先进的指纹、密码开锁技术设计, 使用更人性化;
  2. 智能双核双电路设计理念, 指纹、密码供电及控制系统完全独立, 产品性能更稳定;
  3. 采用日本万宝至电机;
  4. 密码防泄功能;
  5. 密码防泄功能;
  6. 500dpi高精度传感器分辨率, 实现360度指纹识别, 并具有先进的指纹使用信息储存;
  7. 采用复合锁体结构设计; 防钻、防撬的面板设计, 抗破坏性强;
  8. 游离把手; 采用全新“独立式电动机离合设计”技术;
  9. 隐蔽式应急机械钥匙;
  10. 采用国际先进的生物锁技术, 确保优质品质;
  11. 一体化结构设计, 铸造精细, 造型美观时尚;
  12. 人性化警示功能设计;
1. advanced fingerprint&password technical design, the use of more humane. 2. Intelligent dual-core, dual-circuit design, power supply of fingerprint&password and control system is completely independent. The product performance is more stable. 3. Adopt Mabuchi motor of Japan. 4. Password Anti-leak. 5. Password Anti-leakage function. 6. 500dpi high-precision sensor resolution, achieve 360 degree identification, and store the advanced fingerprint use information. 7. Strong anti-destructive. 8. Free handle. 9. Adopt the new "stand-alone motor clutch design" technology. 10. Adopting international advanced bio-technology to ensure the top quality. 11. Integration of structural design, fine casting, handsome and fashionable appearance. 12. Human alert function design.



! 警示功能 ALARM FUNCTION  
斜舌报警 低压报警 防撬报警  
Latch bolt alarm pressure alarm Pry proof alarm

● 管理功能 MANAGEMENT FUNCTION  
增加与删除指纹操作 Increase and remove fingerprint operation  
增加与删除密码操作 Increase and remove password operation  
查看与清空记录操作 Check and clear the record of operation

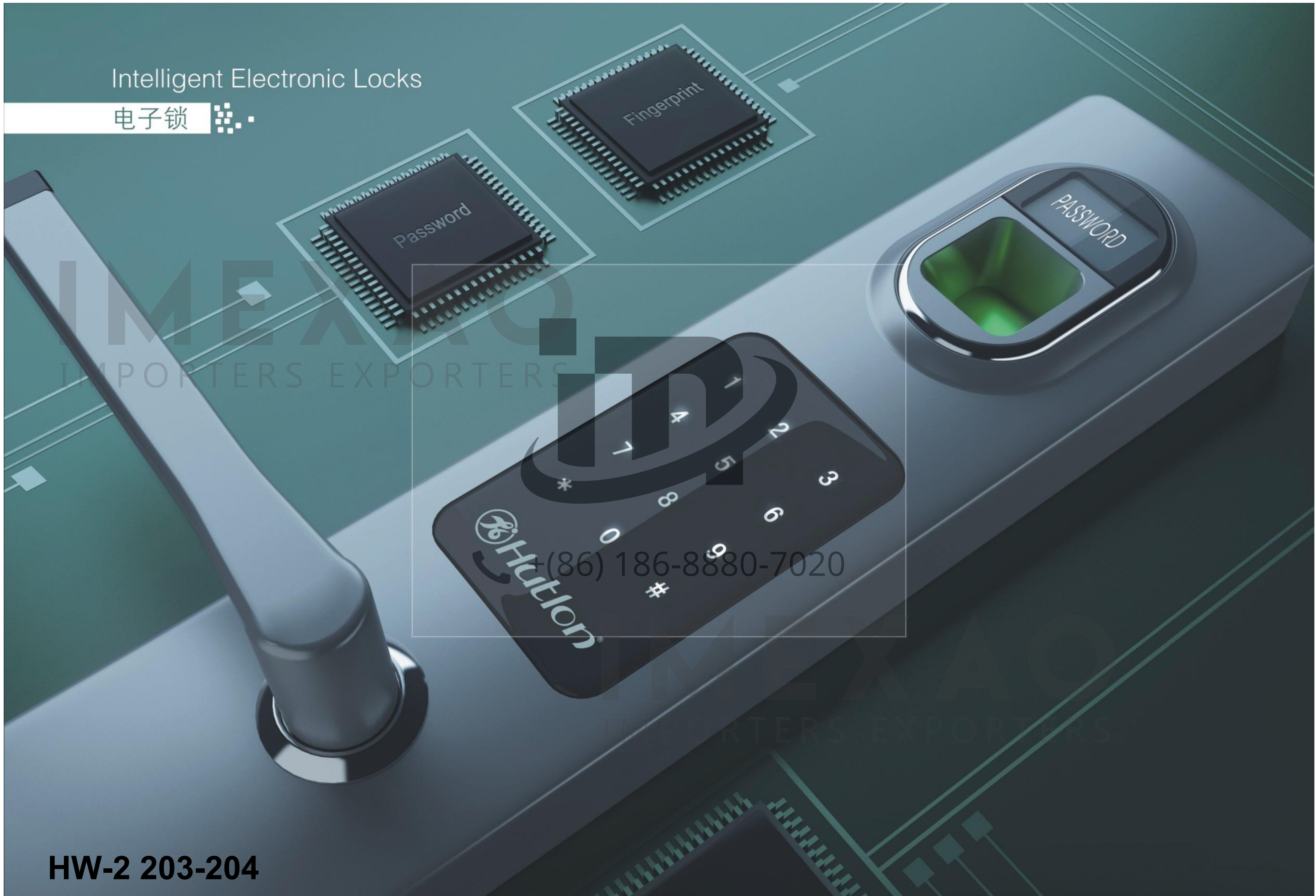
● 常规设置 (设置时钟、语言)  
General setup ( set the clock, language )

智能电子锁 Intelligent Electronic Locks  
三合一超人性化开锁方式 THREE IN ONE

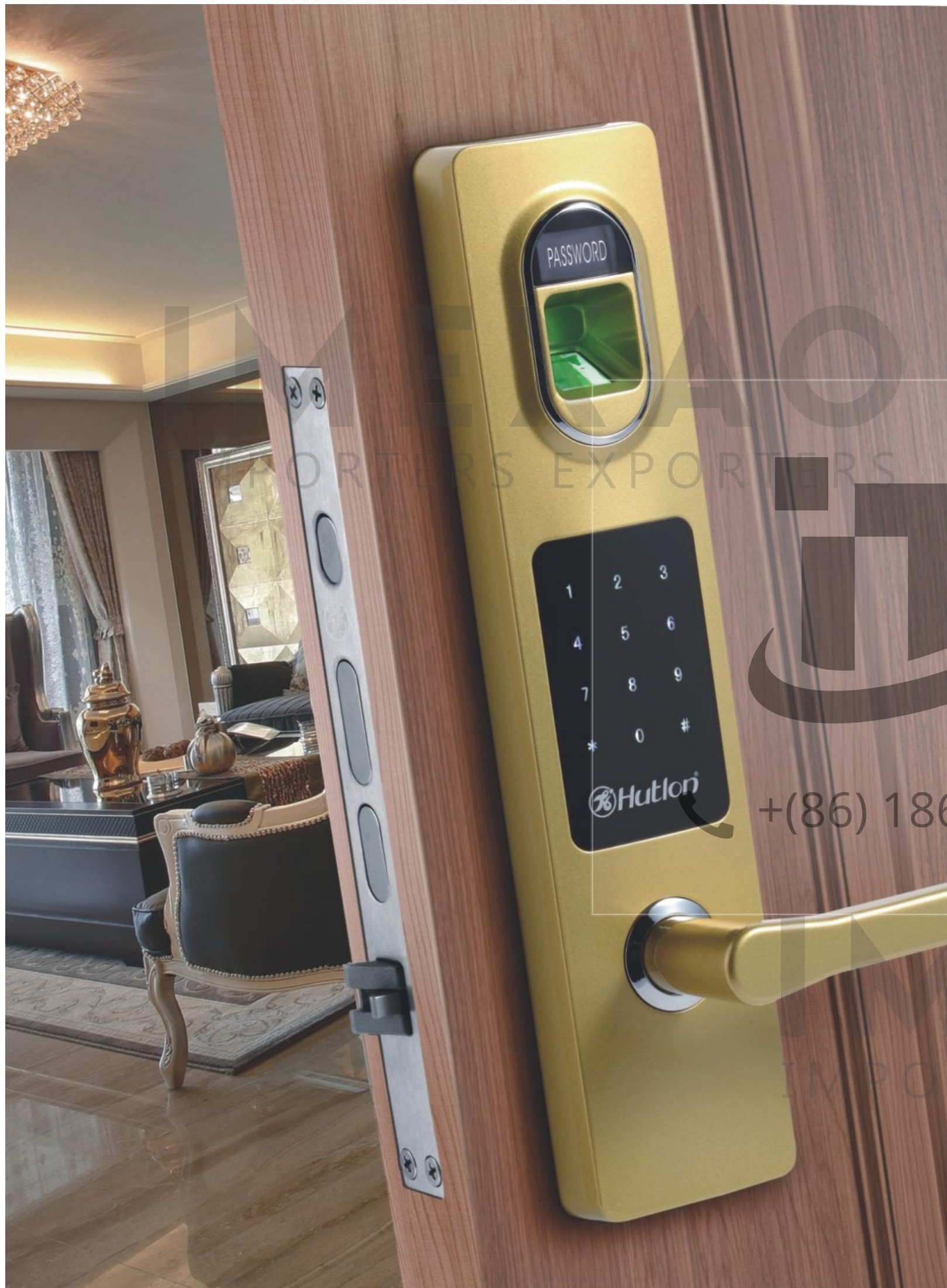


Intelligent Electronic Locks

电子锁



HW-2 203-204



· 智尚 ·  
ZHI SHANG



**HZ-69003**  
FINGERPRINT  
LOCK  
指纹密码锁



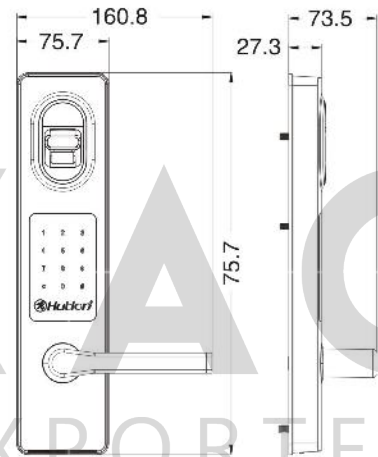
**HZ-69103**  
SMART CARD  
LOCK  
感应卡密码锁

- (1) 请勿让锁面与腐蚀性物质接触,以免破坏锁面保护层,影响锁面的光泽度。
- (2) 把手是门锁的关键部位,其灵活度直接影响门锁的使用,请勿在把手上悬挂物件。
- (3) 如果门变形,会使组合斜舌进入门框盒摩擦过大,不能完全伸展,此时应调整门扣板位置。
- (4) 指纹采集窗使用较长时间后,表面会沾污垢或表面潮湿,请用干燥软布轻轻擦拭。
- (5) 电池电量不足报警后,请立即更换电池,以确保门锁正常使用。更换电池时,请注意电池的正负极。
- (6) 请勿用坚硬的、尖锐的物体刻划指纹采集窗表面(包括指甲)。
- (7) 每次采集指纹时,手指指纹部分平贴指纹识别器。
- (8) 如果锁体转动不灵活或不能保持正确的位置,应请专业人员将锁体部件加注机械润滑油。
- (9) 经常保持锁体传动部位有润滑剂,以保持其转动顺畅及延长使用寿命。建议半年或一年检查一次,同时检查紧固螺钉有否松动,以确保紧固。

- (1) Pls. don't let the lock surface and corrosive material be in touch, in order to avoid destroy protective layer, and affect lock lustrousness.
- (2) The handle which its flexibility affect lock function is the main part of door lock, pls. don't hang objects on it.
- (3) If the door deformed, it will make big friction when lock latch insert into the door frame box and can't fully extended, at this time, you should adjust door latch plate position.
- (4) The surface of fingerprint acquisition window will be stained with dirt and moisture after long time usage, pls. wipe it gently with dry soft cloth.
- (5) When low battery alarm begins, in order to ensure the normal use, pls. change battery as soon as possible. And pls. pay attention to battery positive and negative.
- (6) Pls. don't use hard, sharp objects scratch fingerprint window surface.
- (7) When collecting fingerprints, pls. make fingerprint part flatly on the fingerprint reader.
- (8) If the lock rotate inflexibly or can't stay in the correct position, pls. let professional add lubricant to the lock core.
- (9) Pls. make sure there is lubricant in the transmission part of lock to keep it run smoothly and extend the service life. And we advise you check it once or twice a year to see the screws are tightened or not.

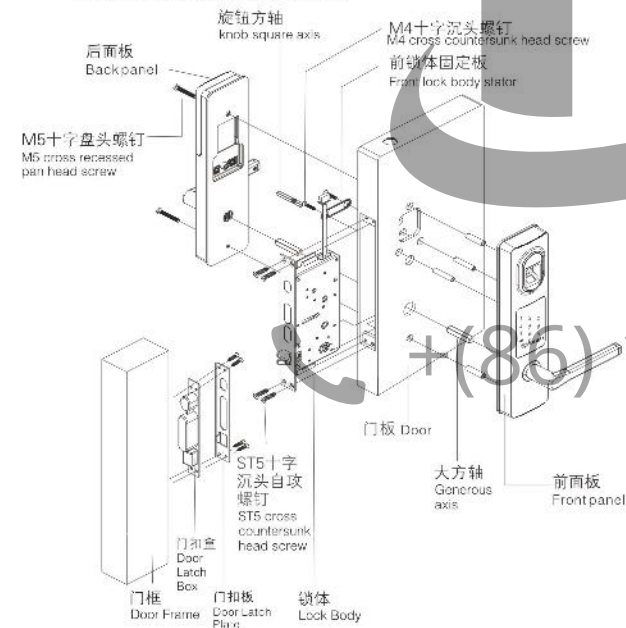
**HW-2 205-206**





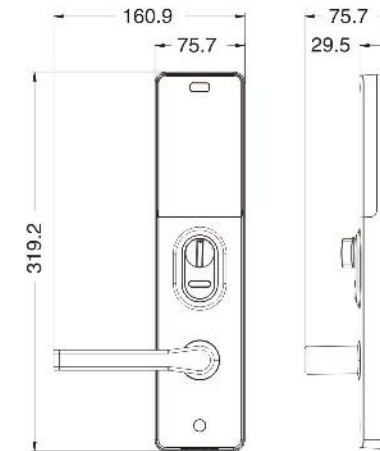
HZ-69003 智尚 指纹密码锁  
ZHI SHANG

产品结构图:图例  
Product Structure drawing: drawing sample



二、配件规格表  
Part list

编号 NO	名称 description	图示 Diagram Form	数量 Quantity	编号 NO	名称 description	图示 Diagram Form	数量 Quantity	编号 NO	名称 description	图示 Diagram Form	数量 Quantity
01	前面板 Front panel		1	05	旋钮方轴 knob square axis		1	09	后面板 Back panel		1
02	大方轴 Generous axis		2	06	门扣板 Door Latch Plate		1	10	前锁体固定板 Front lock body stator		1
03	M5十字盘头螺钉 M5 cross recessed pan head screw		2	07	门扣盒 Door Latch Box		1	11	ST5十字沉头自攻螺钉 ST5 cross countersunk head screw		3
04	锁体 Lock Body		1	08	M4十字沉头螺钉 M4 cross countersunk head screw		4				



智尚 ZHI SHANG  
HZ-69003R 指纹密码锁 琥珀金  
Fingerprint Password Lock (AG)

产品属性	Product Features
表面处理: 琥珀金 Finish: Amber Gold	锁体: 电子锁体 HZ-003T/003M Lock body: HZ-003T/003M
锁把手材质: 锌合金 Lever material: Zinc Alloy	适合门厚: 50-65mm Available door thickness: 50-65mm
锁面板材质: 锌合金 Lock strike plate material: Zinc Alloy	PDA应急开锁 Unlock by emergency PDA
指纹识别技术: 国际先进360度指纹识别; 密码核心技术: 密码防泄, 触碰式感应模块; Fingerprint identification: 360 degree; Password identification: password leakage prevention, touch induction module	
特别提示: 右开门门锁, 锁面板分左右, 锁体分左内开、左外开、右内开、右外开 Special Notice: lock the door lock is locked in a panel or not about	

- 产品优点 Product Feature:
- 500dpi高精度传感器分辨率, 360度指纹识别
  - 双电路控制系统
  - 密码防泄功能
  - 智能语音系统
  - 高安全模式
  - 国家标准防盗门通用锁芯
  - 时尚触摸屏密码键盘设计
  - 可设常开功能(通道功能)
  - 智能语音报警警示功能
  - 外接PDA应急开锁
  - 外接PDA读取下载开锁记录
  - 无机械钥匙, 防盗性能更强
  - LCD显示信息, 人机操作直观、方便、时尚。
1. 500dpi high-cision sensor resolution, achieve 360 degree identification;  
2. Dual circuit control system;  
3. Password anti-leakage function;  
4. Intelligent voice system;  
5. High security mode;  
6. Government standard general lock cylinder for security door;  
7. Fashionable touch keyboard design;  
8. Normally open function(gallery function);  
9) Intelligent voice alarm system  
10. External PDA emergency unlock  
11. External PDA download and read unlock record;  
12. No mechanical key, better security  
13. LCD display screen with intuitive, convinient and vogue operation.

- ! 警示功能 ALARM FUNCTION
- 自动巡检报警 Automatic monitoring alarm
  - 低压报警 Low pressure alarm
  - 伪密码报警 False password alarm

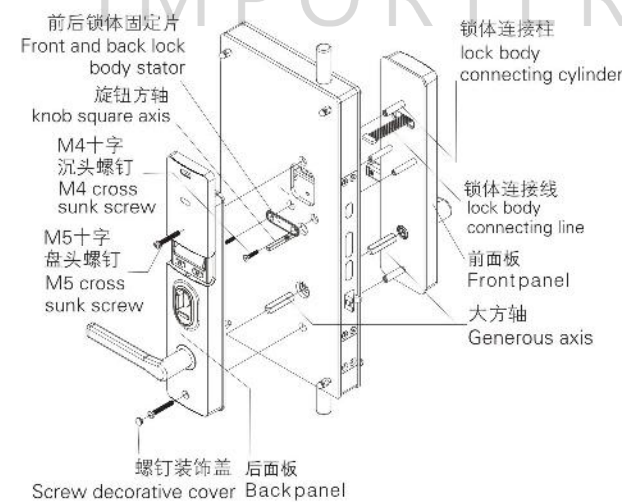
- 管理功能 MANAGEMENT FUNCTION
- 增加与删除指纹操作 Increase and remove fingerprint operation
  - 增加与删除密码操作 Increase and remove password operation
  - 语音播报开锁记录 Voice unlocking record

- 常规设置 (设置时钟、语言)  
General setup ( set the clock, language )

智能电子锁 Intelligent Electronic Locks  
三合一超人性化开锁方式 THREE IN ONE



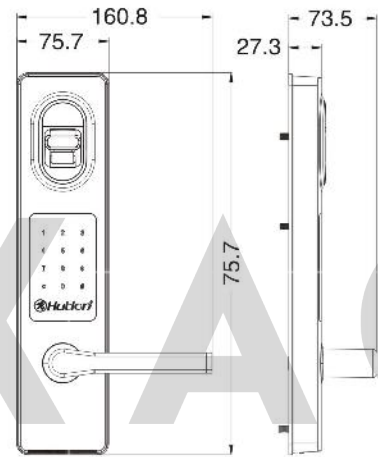
产品结构图(内面板):图例  
Product Structure drawing: drawing sample



+(86) 186-8880-7020

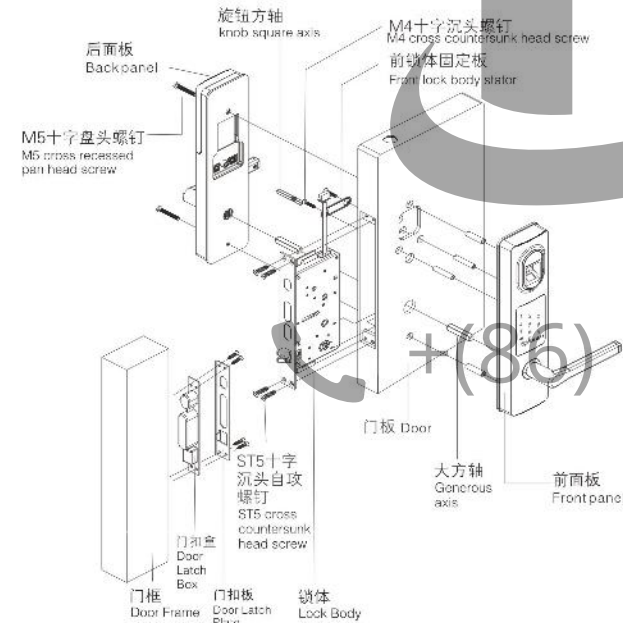


TS



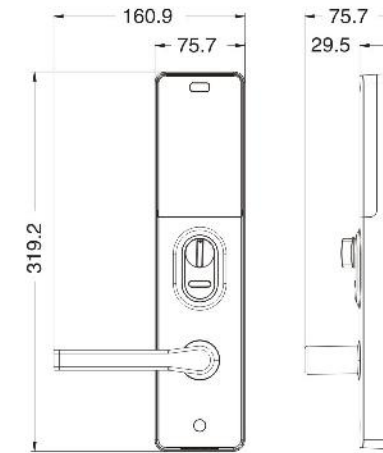
HZ-69003 智尚 指纹密码锁  
ZHI SHANG

产品结构图:图例  
Product Structure drawing: drawing sample



二、配件规格表  
Part list

编号 NO	名称 description	图示 Diagram Form	数量 Quantity	编号 NO	名称 description	图示 Diagram Form	数量 Quantity	编号 NO	名称 description	图示 Diagram Form	数量 Quantity
01	前面板 Front panel		1	05	旋钮方轴 knob square axis		1	09	后面板 Back panel		1
02	大方轴 Generous axis		2	06	门扣板 Door Latch Plate		1	10	前锁体固定板 Front lock body stator		1
03	M5十字盘头螺钉 M5 cross recessed pan head screw		2	07	门扣盒 Door Latch Box		1	11	ST5十字沉头自攻螺钉 ST5 cross countersunk head screw		3
04	锁体 Lock Body		1	08	M4十字沉头螺钉 M4 cross countersunk head screw		4				



智尚 ZHI SHANG  
HZ-69003R 指纹密码锁 泰坦银  
Fingerprint Password Lock (TS)

产品属性 Product Features

表面处理: 泰坦银 Finish: Titan Silver	锁体: 电子锁体 HZ-003T/003M Lock body: HZ-003T/003M
锁把手材质: 锌合金 Lever material: Zinc Alloy	适合门厚: 50-65mm Available door thickness: 50-65mm
锁面板材质: 锌合金 Lock strike plate material: Zinc Alloy	PDA应急开锁 Unlock by emergency PDA
指纹识别技术: 国际先进360度指纹识别; 密码核心技术: 密码防泄, 触碰式感应模块; Fingerprint identification: 360 degree; Password identification: password leakage prevention, touch induction module	
特别提示: 右开门锁, 锁面板分左右, 锁体分左右开、左外开、右内开、右外开 Special Notice: lock the door lock is locked in a panel or not about	

产品优点 Product Feature:

- 500dpi高精度传感器分辨率, 360度指纹识别
- 双电路控制系统
- 密码防泄功能
- 智能语音系统
- 高安全模式
- 国家标准防盗门通用锁芯
- 时尚触摸屏密码盘设计
- 可设常开功能(通道功能)
- 智能语音报警警告功能
- 外接PDA应急开锁
- 外接PDA读取下载开锁记录
- 无机械钥匙, 防盗性能更强
- LCD显示信息, 人机操作直观、方便、时尚。

警告功能 ALARM FUNCTION

- 自动巡检报警 Automatic monitoring alarm
- 低压报警 Low pressure alarm
- 伪密码报警 False password alarm

管理功能 MANAGEMENT FUNCTION

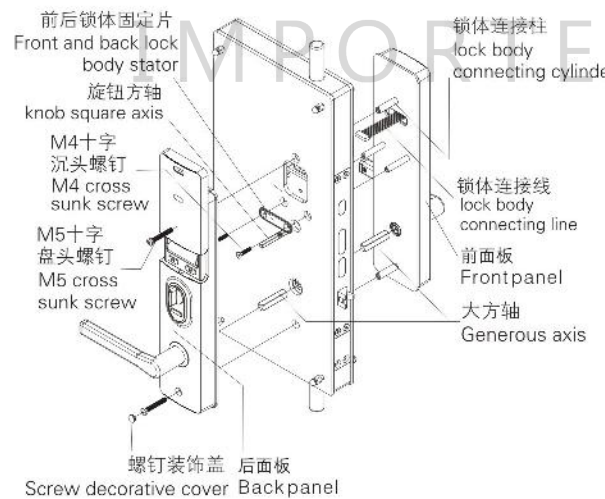
- 增加与删除指纹操作 Increase and remove fingerprint operation
- 增加与删除密码操作 Increase and remove password operation
- 语音播报开锁记录 Voice unlocking record

常规设置 (设置时钟、语言)  
General setup ( set the clock, language )

智能电子锁 Intelligent Electronic Locks  
三合一超人性化开锁方式 THREE IN ONE

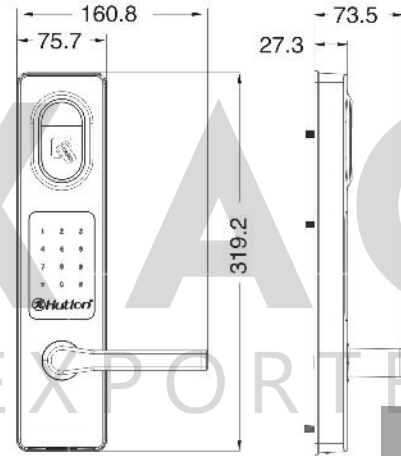


产品结构图 (内面板):图例  
Product Structure drawing: drawing sample



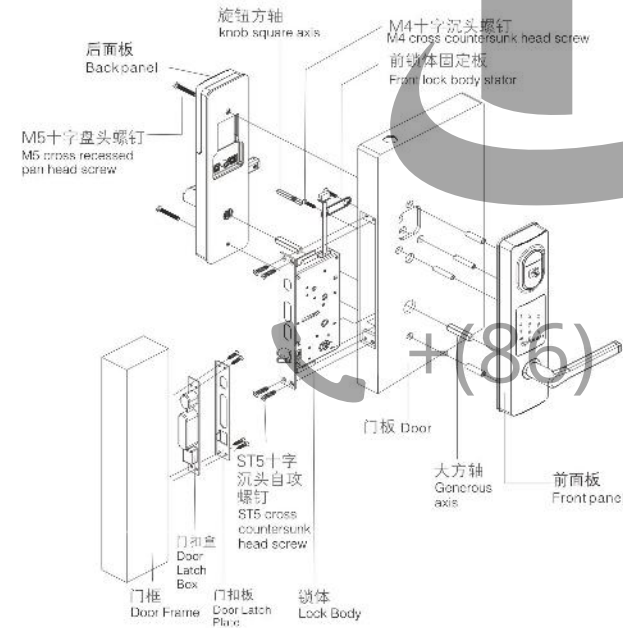


AG



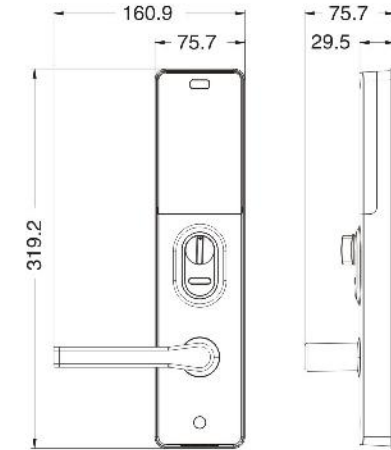
HZ-69103 智尚 感应卡密码锁  
ZHI SHANG

产品结构图:图例  
Product Structure drawing: drawing sample



二、配件规格表  
Part list

编号 NO	名称 description	图示 Diagram Form	数量 Quantity	编号 NO	名称 description	图示 Diagram Form	数量 Quantity	编号 NO	名称 description	图示 Diagram Form	数量 Quantity
01	前面板 Front panel		1	05	旋钮方轴 knob square axis		1	09	后盖板 Back panel		1
02	大方轴 Generous axis		2	06	门扣板 Door Latch Plate		1	10	前锁体固定板 Front lock body stator		1
03	M5十字盘头螺钉 M5 cross recessed pan head screw		2	07	门扣盒 Door Latch Box		1	11	ST5十字沉头自攻螺钉 ST5 cross countersunk head screw		3
04	锁体 Lock Body		1	08	M4十字沉头螺钉 M4 cross countersunk head screw		4				



智尚 ZHI SHANG

HZ-69103R 感应卡密码锁 琥珀金  
Smart Card Password Lock (AG)

产品属性 Product Features

表面处理: 琥珀金 Finish: Amber Gold	锁体: 电子锁体 HZ-003T/003M Lock body: HZ-003T/003M
锁把手材质: 锌合金 Lever material: Zinc Alloy	适合门厚: 50-65mm Available door thickness: 50-65mm
锁面板材质: 锌合金 Lock strike plate material: Zinc Alloy	PDA应急开锁 Unlock by emergency PDA
密码核心技术: 密码防泄, 触碰式感应模块; 感应技术: 快速防泄冲突机制, 防数据干扰 Password identification: password leakage prevention, touch induction module; Sensor technology: leakage and conflict prevention to avoid data interference	
特别提示: 右开门门锁, 锁面板分左右, 锁体分左右, 左外开、右内开、右外开 Special Notice: lock the door lock is locked in a panel or not about	

产品优缺点 Product Feature:

1. 采用国际先进的RFID技术
  2. 双电路控制系统
  3. 密码防泄功能
  4. 智能语音系统
  5. 高安全模式
  6. 国家标准防盗门通用锁芯
  7. 时尚触摸屏密码键盘设计
  8. 可设常开功能(通道功能)
  9. 智能语音报警警示功能
  10. 外接PDA应急开锁
  11. 外接PDA读取下载开锁记录
  12. 无机机械钥匙, 防盗性能更强
  13. LCD显示信息, 人机操作直观、方便、时尚。
1. Adopt advanced international RFID technology; 2. Dual circuit control system; 3. Password anti-leakage function; 4. Intelligent voice system; 5. High security mode; 6. Government standard general lock cylinder for security door; 7. Fashionable touch keyboard design; 8. Normally open function(gallery function); 9. Intelligent voice alarm system; 10. External PDA emergency unlock; 11. External PDA download and read unlock record; 12. No mechanical key, better security; 13. LCD display screen with intuitive, convenient and vogue operation.

！ 警示功能 ALARM FUNCTION

自动巡检报警 低压报警 伪密码报警  
Automatic monitoring alarm Low pressure alarm False password alarm

● 管理功能 MANAGEMENT FUNCTION

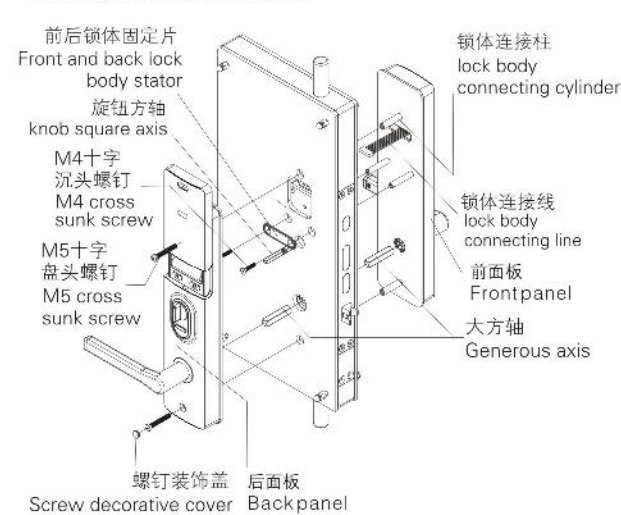
- 增加与删除感应卡操作  
Add and cancel induction card operation
- 增加与删除密码操作  
Increase and remove password operation
- 语音播报开锁记录  
Voice unlocking record

● 常规设置 (设置时钟、语言)  
General setup ( set the clock, language )

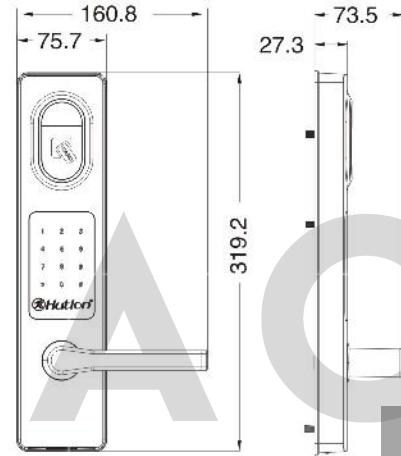
智能电子锁 Intelligent Electronic Locks  
三合一超人性化开锁方式 THREE IN ONE



产品结构图 (内面板):图例  
Product Structure drawing: drawing sample



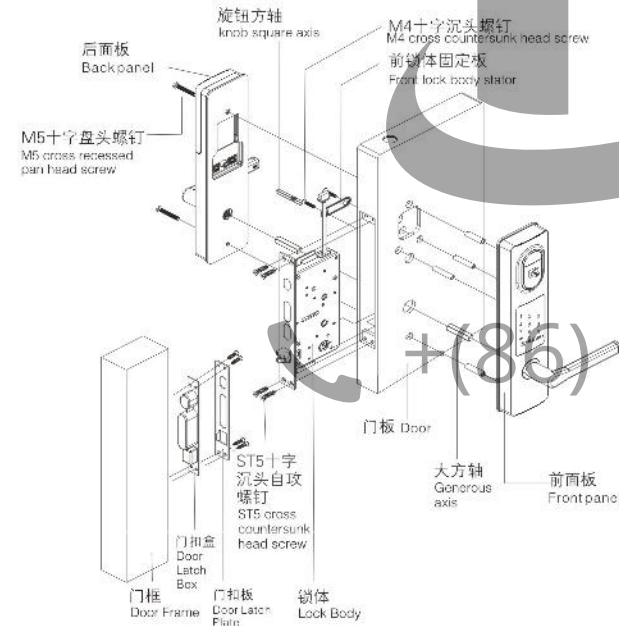
+(86)186-8880-7020



HZ-69103 智尚 感应卡密码锁  
ZHI SHANG

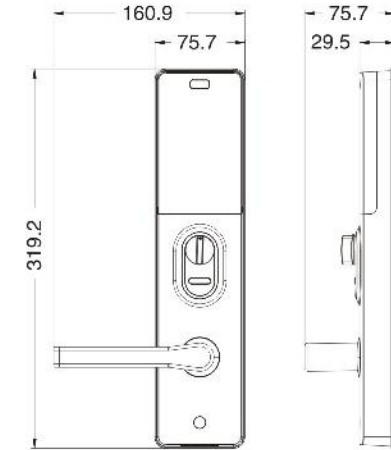
产品结构图:图例

Product Structure drawing: drawing sample



二、配件规格表  
Part list

编号 NO	名称 description	图示 Diagram Form	数量 Quantity	编号 NO	名称 description	图示 Diagram Form	数量 Quantity	编号 NO	名称 description	图示 Diagram Form	数量 Quantity
01	前盖板 Front panel		1	05	旋钮方轴 Knob square axis		1	09	后盖板 Back panel		1
02	大方轴 Generous axis		2	06	门扣板 Door Latch Plate		1	10	前锁体固定板 Front lock body stator		1
03	M5十字盘头螺钉 M5 cross recessed pan head screw		2	07	门扣盒 Door Latch Box		1	11	ST5十字沉头自攻螺钉 ST5 cross countersunk head screw		3
04	锁体 Lock Body		1	08	M4十字沉头螺钉 M4 cross countersunk head screw		4				



智尚 ZHI SHANG

HZ-69103R 感应卡密码锁 泰坦银  
Smart Card Password Lock (TS)

产品属性 Product Features

表面处理: 泰坦银 Finish: Titan Silver	锁体: 电子锁体 HZ-003T/003M Lock body: HZ-003T/003M
锁把手材质: 锌合金 Lever material: Zinc Alloy	适合门厚: 50-65mm Available door thickness: 50-65mm
锁面板材质: 锌合金 Lock strike plate material: Zinc Alloy	PDA应急开锁 Unlock by emergency PDA
密码核心技术: 密码防泄, 触屏式感应模块; 感应技术: 快速防泄冲突机制, 防数据干扰 Password identification: password leakage prevention, touch induction module; Sensor technology: leakage and conflict prevention to avoid data interference	
特别提示: 右开门门锁, 锁面板分左右, 锁体分左内开、左外开、右内开、右外开 Special Notice: lock the door lock is locked in a panel or not about	

产品优点 Product Feature:

1. 采用国际先进的RFID技术
  2. 双电路控制系统
  3. 密码防泄功能
  4. 智能语音系统
  5. 高安全模式
  6. 国家标准防盗门通用锁芯
  7. 时尚触摸屏密码键盘设计
  8. 可设常开功能(通道功能)
  9. 智能语音报警警示功能
  10. 外接PDA应急开锁
  11. 外接PDA读取下载开锁记录
  12. 无机机械钥匙, 防盗性能更强
  13. LCD显示信息, 人机操作直观、方便、时尚。
1. Adopt advanced international RFID technology; 2. Dual circuit control system; 3. Password anti-leakage function; 4. Intelligent voice system; 5. High security mode; 6. Government standard general lock cylinder for security door; 7. Fashionable touch keyboard design; 8. Normally open function(gallery function); 9. Intelligent voice alarm system; 10. External PDA emergency unlock; 11. External PDA download and read unlock record; 12. No mechanical key, better security; 13. LCD display screen with intuitive, convenient and vogue operation.

！ 警示功能 ALARM FUNCTION

- 自动巡检报警 Automatic monitoring alarm  
低压报警 Low pressure alarm  
伪密码报警 False password alarm

● 管理功能 MANAGEMENT FUNCTION

- 增加与删除感应卡操作 Add and cancel induction card operation  
增加与删除密码操作 Increase and remove password operation  
语音播报开锁记录 Voice unlocking record

● 常规设置 (设置时钟、语言)

General setup ( set the clock, language )

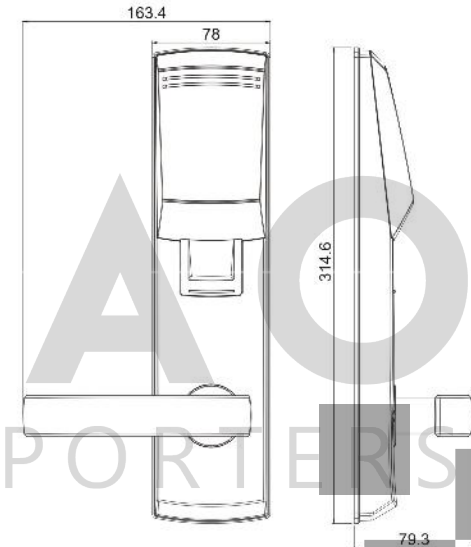
智能电子锁 Intelligent Electronic Locks

三合一超人性化开锁方式 THREE IN ONE



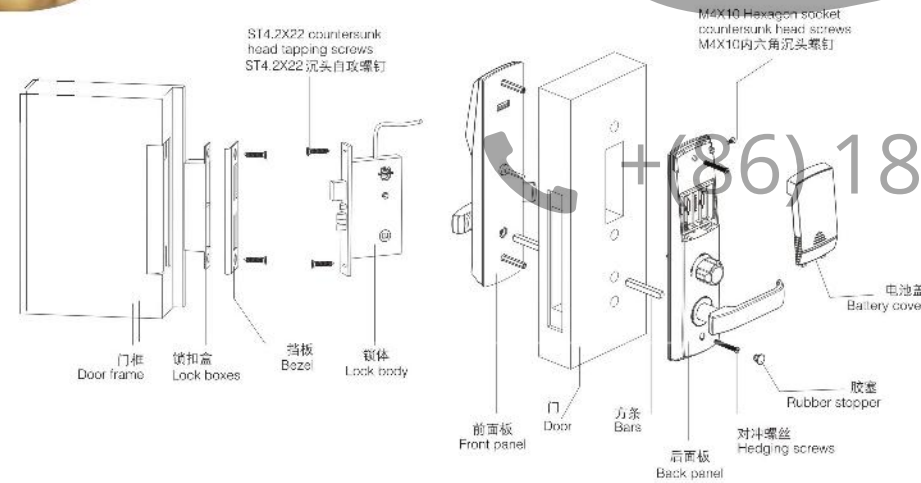


SG  
GP



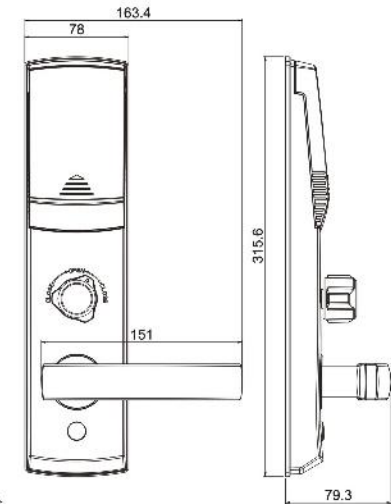
### HZ-69531 贝越 酒店锁

产品结构图:图例  
Product Structure drawing: drawing sample



#### 二、配件图 parts illustration

编号 NO	名称 description	图示 Diagram Form	数量 Quantity	编号 NO	名称 description	图示 Diagram Form	数量 Quantity	编号 NO	名称 description	图示 Diagram Form	数量 Quantity
01	前面板 Front panel		1	05	对冲螺丝 Hedging screws		2	09	后面板 Back panel		1
02	胶塞 Rubber stopper		1	06	挡板 Bezel		1	10	电池盖 Battery cover		1
03	后锁体固定板 Fixed plate		1	07	锁扣盒 Lock boxes		1	11	沉头自攻螺钉 countersunk head tapping screws		6
04	锁体 Lock Body		1	08	六角沉头螺钉 Hexagon socket countersunk head screws		1	12	应急机械钥匙 Key lock		3



贝越 BEYOND  
HZ-69531 酒店锁 拉丝金/光金  
Hotel Lock SG/GP

#### 产品属性 Product Features

表面处理: 拉丝金/光金 Finish: SG/GP	锁芯: 电子锁体 HZ-531-M Lock body: HZ-531-M
锁把手材质: 锌合金 Lever material: Zinc Alloy	适合门厚: 38-58mm Available door thickness: 38-58mm
锁面板材质: 锌合金 Lock strike plate material: Zinc Alloy	钥匙: 3条白铜钥匙 Keys: 3 pcs of double beads white brass keys
感应技术: 快速防撞冲突机制, 防数据干扰 Sensor technology: leakage and conflict prevention to avoid data interference	
特别提示: 右开门门锁 锁面板分左右 锁体分左右内外 Special Notice: Lock-right open Lock plate classified: left and right Lock case options: Left inner open, left out open, right inner open, right out open.	

#### 产品优点 Product Feature:

1. 超低功耗处理, 待机电流<30微安, 采用4节5号电池供电; 2. 读卡灵敏度高, 响应时间<0.5秒; 3. 电路板全密封处理, 具有防潮防锈功能; 4. 核心原器件采用原装进口, 保证产品的质量; 5. 电机驱动电路使用国外原装专用驱动IC, 取代市面上常用的由分立元器件构成的H桥驱动电路, 减少外围元器件, 保证了产品的稳定性; 6. 双时钟设计, 使用飞利浦时钟芯片, 保证了门锁系统时间的可靠稳定; 7. 提供丰富的软件接口, 实现与第三方软件无缝对接; 8. M1发卡避免误动; 9. 提供电梯、公共门、房号型取电开关灯多种扩展附件, 完善了酒店整体解决方案; 10. 自带一套功能完善的酒店智能门锁管理软件, 使得产品易用好用, 简约不简单。

1. Low power consumption processing, standby current<30 microamps;  
2. Induction sensitive, response time less than 0.5 seconds;  
3. Circuit board is full seal processing, moisture-proof and antirust function;  
4. Core device is imported with original packaging, guarantee the quality;  
5. Motor drive circuit uses the foreign original special driver IC to replace the H drive circuit composed the discrete, more guarantee for its stability;  
6. Double clock design and uses Philips clock chip to ensure the door lock system time reliable and stable;  
7. Provided enough software interface, realized the third party software seamless docking;  
8. No need dive for M1 Hairpin device;  
9. Provided many kinds of extended accessories for elevator, public doors, room electric switch to improve the whole hotel solution;  
10. Own a set of management software in the hotel solution.

#### ! 警示功能 ALARM FUNCTION

斜舌报警 Latch bolt alarm  
低压报警 Low pressure alarm

#### • 管理功能 MANAGEMENT FUNCTION

十六种智能感应卡 16 induction cards  
酒店锁管理系统 Hotel Lock management system

• 常规设置 (设置时钟、语言)  
General setup ( set the clock, language )

智能酒店锁 Intelligent Hotel Locks



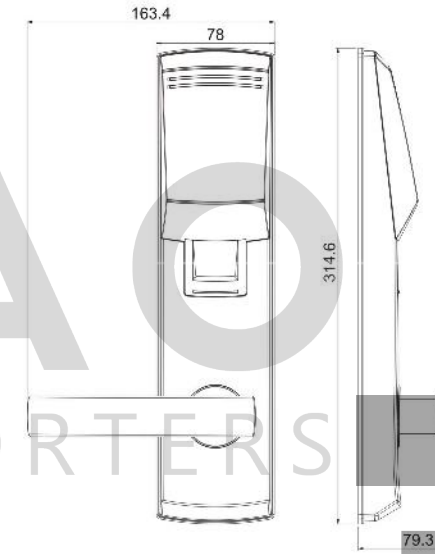
感应卡开锁 Card lock  
应急机械钥匙开锁 Key lock

1

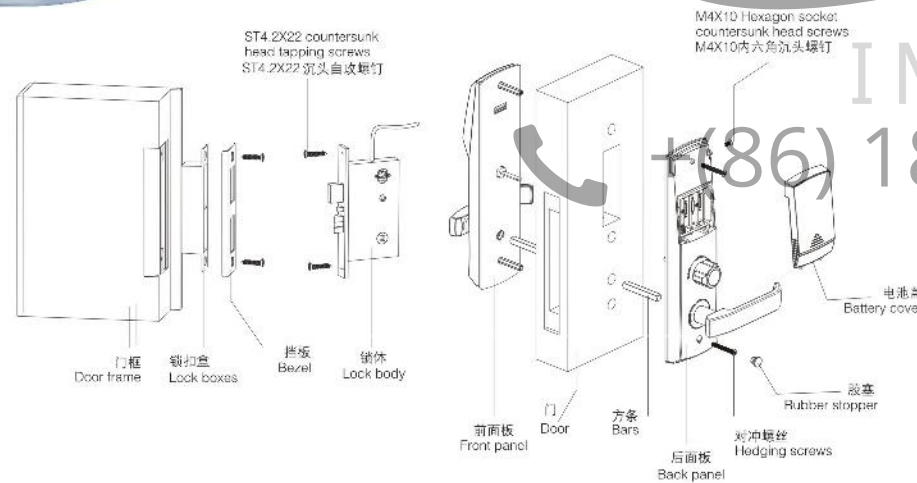
酒店锁系列 Hotel Lock series



ONE 智慧电子锁  
Intelligent Electronic Locks  
米兰世界博展金牌战略合作伙伴  
STATEGIC PARTNER OF EXPO2015 MILANO



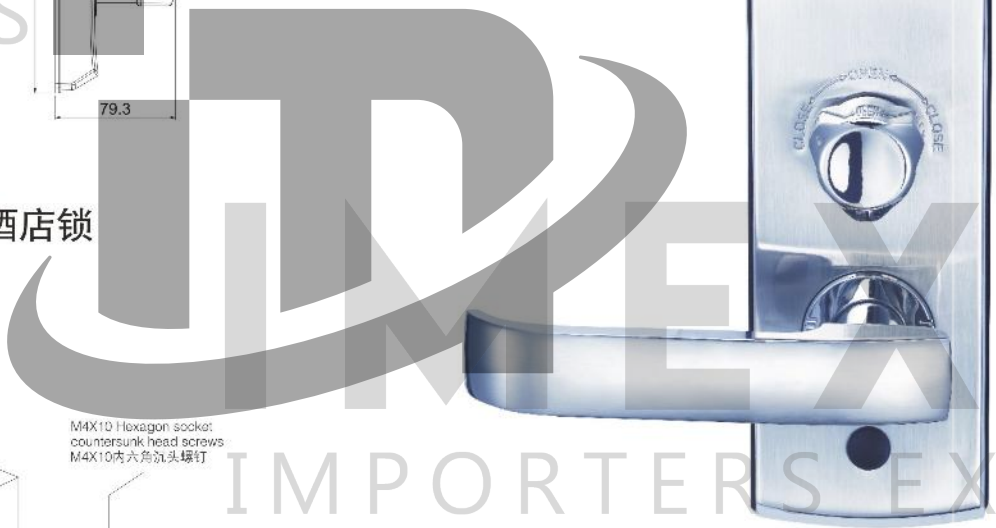
HZ-69531 贝越 酒店锁  
BEYOND  
产品结构图:图例  
Product Structure drawing: drawing sample



二、配件图  
parts illustration

编号 NO	名称 description	图示 Diagram Form	数量 Quantity	编号 NO	名称 description	图示 Diagram Form	数量 Quantity	编号 NO	名称 description	图示 Diagram Form	数量 Quantity
01	前面板 Front panel		1	05	对冲螺丝 Hedging screws		2	09	后面板 Back panel		1
02	胶塞 Rubber stopper		1	06	挡板 Bezel		1	10	电池盖 Battery cover		1
03	后锁体固定板 Fixed plate		1	07	锁扣盒 Lock boxes		1	11	沉头自攻螺钉 countersunk head tapping screws		6
04	锁体 Lock Body		1	08	六角沉头螺钉 Hexagon socket countersunk head screws		1	12	应急机械钥匙 Key lock		3

IMPORTERS EXPORTERS

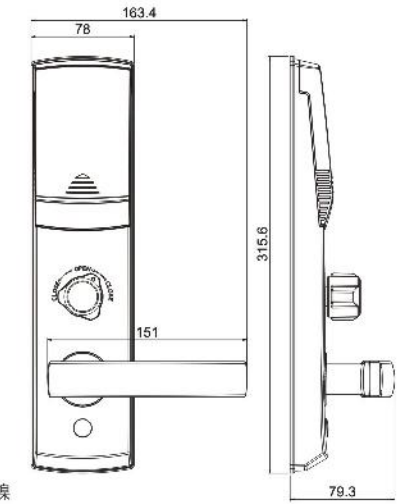


酒店锁系列 Hotel Lock series



1

ONE 智慧电子锁  
Intelligent Electronic Locks  
米兰世界博展金牌战略合作伙伴  
STATEGIC PARTNER OF EXPO2015 MILANO



贝越 BEYOND  
HZ-69531 酒店锁 拉丝镍/光镍  
Hotel Lock SN/NP

产品属性 Product Features	
表面处理: 拉丝镍/光镍 Finish: SN/NP	锁体: 电子锁体 HZ-531-M Lock body: HZ-531-M
锁把手材质: 锌合金 Lever material: Zinc Alloy	适合门厚: 38-58mm Available door thickness: 38-58mm
锁面板材质: 锌合金 Lock strike plate material: Zinc Alloy	钥匙: 3条白铜钥匙 Keys: 6 pcs of double beads white brass keys
感应技术: 快速防冲冲突机制, 防数据干扰 Sensor technology: leakage and conflict prevention to avoid data interference	
特别提示: 右开门门锁 锁面板分左右 锁体分左右内外 Special Notice: Lock-right open Lock plate classified: left and right Lock case options: Left inner open, left out open, right inner open, right out open.	

产品优缺点

- 超低功耗处理, 待机电流<30微安, 采用4节5号电池供电; 2、读卡灵敏度, 响应时间<0.5秒; 3、电路板全密封处理, 具有防潮防锈功能; 4、核心元器件采用原装进口, 保证产品的质量; 5、电机驱动电路使用国外原装专用驱动IC, 取代市面上常用的由分立元器件构成的H桥驱动电路, 减少外围元器件, 保证了产品的稳定性; 6、双时钟设计, 使用飞利浦时钟芯片, 保证了门锁系统时间的可靠稳定; 7、提供丰富的软件接口, 实现与第三方软件无缝对接; 8、M1发卡器免驱动; 9、提供电梯、公共门、房号型取电开关灯多种扩展附件, 完善了酒店整体解决方案; 10、自带一套功能完善的酒店智能门锁管理软件, 使得产品易用好用, 简约不简单。
- Low power consumption processing, standby current<30 microamps;
- Induction sensitive, response time less than 0.5 seconds;
- Circuit board is full seal processing, moisture-proof and antirust function;
- Core device is imported with original packaging, guarantee the quality;
- Motor drive circuit uses the foreign original special driver IC to replace the H drive circuit composed the discrete, more guarantee for its stability;
- Double clock design and uses Philips clock chip to ensure the door lock system time reliable and stable;
- Provided enough software interface, realized the third party software seamless docking;
- No need dive for M1 Hairpin device;
- Provided many kinds of extended accessories for elevator, public doors, room electric switch to improve the whole hotel solution;
- Own a set of management software in the hotel solution.

! 警示功能 ALARM FUNCTION

- 斜舌报警 Latch bolt alarm
- 低压报警 Low pressure alarm

管理功能 MANAGEMENT FUNCTION

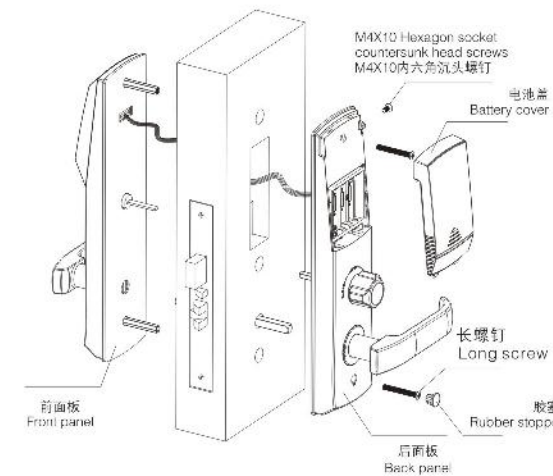
- 十六种智能感应卡 16 induction cards
- 酒店锁管理系统 Hotel Lock management system

常规设置 (设置时钟、语言)  
General setup ( set the clock, language )

智能酒店锁 Intelligent Hotel Locks



- 感应卡开锁 Card lock
- 应急机械钥匙开锁 Key lock



IMPORTERS EXPORTERS  
(86) 186-8880-7020

产品结构图:图例  
Product Structure drawing: drawing sample



IN XIAO  
IMPORTERS EXPORTERS

**Intelligent  
Hotel Lock**  
智能酒店锁

+ (86) 186-8880-7020

**BEYUN | 贝韵**  
HZ-69532

一轮弯月，一首美曲，一个幸福的家，  
寻一片草地，静静躺下，感受大地的柔软，  
静静聆听风的旋律，感受夜色韵味，灵魂的净然，  
这就是汇泰龙贝韵系列所勾画出来景色。  
汇泰龙以一流技艺，精心雕琢每一道曲线，  
是细致淋漓的体现，是隽秀神韵的自然流露出，  
让你置身于宁静、致远、从容自若的智能生活。

Simple and smooth, refined breathable, fill the gap at one go, did not procrastination.  
Tyron the enduring classic fashion concept into every design,  
With near-perfect their craft, carefully crafted every curve,  
Release Yuet rhythm, highlighting the very edge introverted intellectual style,  
Interpretation of the modern gentleman and a leading high-grade fashion direction.

外观创意来源于摩登女郎  
The appearance of ideas from Modern Fashion



摩登女郎  
Modern Fashion



产品侧面  
The product side



产品正面  
Positive product

**HW-2 243-244**

Hutlon 汇泰龙

BEYUN 贝韵  
HZ-69532



## Exquisite Noble temperament

精致优美 高贵气质

汇泰龙以摩登女郎的婀娜多姿  
融汇时尚艺术生活气息  
营造返璞归真的生活境界  
把浪漫、朴实、单纯和抽象的情感  
以简化的曲线及纹理，在产品中体现出来  
时尚、华丽而又高雅的韵味  
让人追求、向往

Meeting Talon to modern girls very pretty and charming  
Blend of fashion and art of life  
Create recover one's original simplicity of life  
The romantic, simple, simple and abstract emotion  
The curve and texture simplification, reflected in the  
product  
Fashion, gorgeous and elegant charm  
Let the people pursue, yearning  
Meeting Talon for you to create the five star model of life

HW-2 245-246

(86) 186-8880-7020

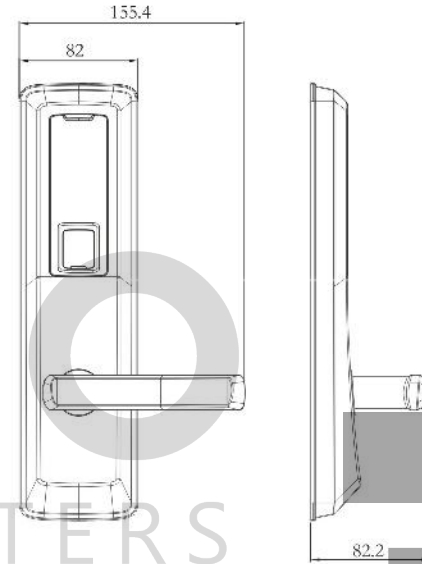


1

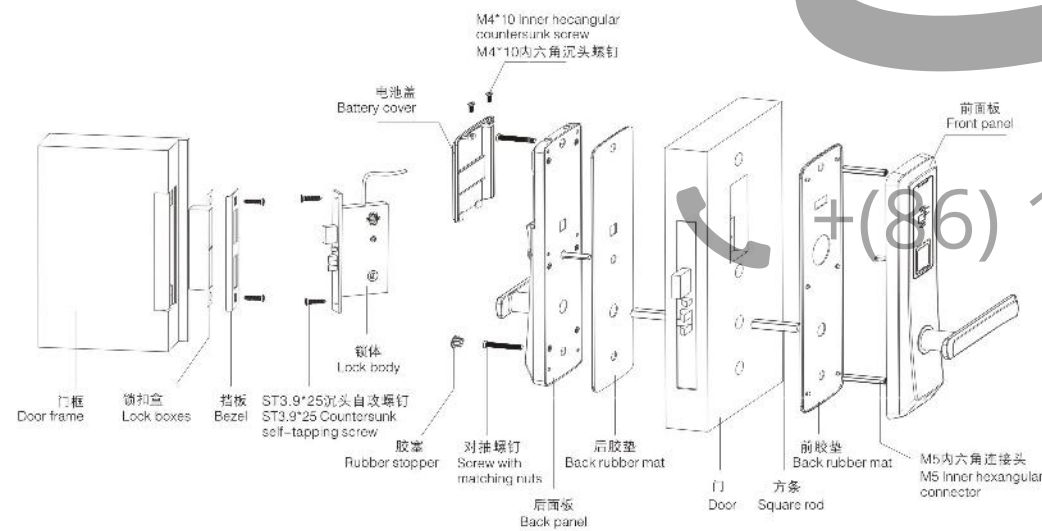
酒店锁系列 Hotel Lock series



ONE 智能电子锁  
Intelligent Electronic Locks  
米兰世界博览会金牌战略合作伙伴  
STRAATEGIC PARTNER OF EXPO2015 MILANO



HZ-69532 贝韵 酒店锁  
产品结构图:图例 BEYUN



二、配件图  
parts illustration

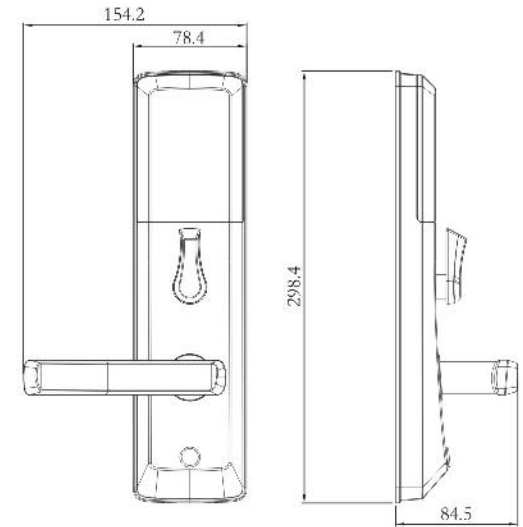
编号 NO	名称 description	图示 Diagram Form	数量 Quantity	编号 NO	名称 description	图示 Diagram Form	数量 Quantity	编号 NO	名称 description	图示 Diagram Form	数量 Quantity
01	前面板 Front panel		1	06	锁盒扣 Lock boxes		1	11	后面板 Back panel		1
02	锁体 Lock Body		1	07	内六角连接头 Inner hexagonal connector		2	12	电池盖 Battery cover		1
03	胶塞 Rubber stopper		1	08	对抽螺钉 Screw with matching nuts		2	13	后胶垫 Back rubber mat		1
04	前胶垫 Front rubber mat		1	09	方条 Square rod		2	14	沉头自攻螺钉 Countersunk self-tapping screw		4
05	挡板 Bezel		1	10	内六角沉头螺钉 Inner hexagonal countersunk screw		2	15	应急机械钥匙 Key lock		3

酒店锁系列 Hotel Lock series



1

ONE 智能电子锁  
Intelligent Electronic Locks  
米兰世界博览会金牌战略合作伙伴  
STRAATEGIC PARTNER OF EXPO2015 MILANO



贝韵 BEYUN  
HZ-69532 酒店锁 拉丝金/光金  
Hotel Lock SG/GP

产品属性 Product Features	产品属性 Product Features
表面处理: 拉丝金/光金 Finish: SG/GP	锁体: 电子锁体 HZ-531-M Lock body: HZ-531-M
锁把手材质: 锌合金 Lever material: Zinc Alloy	适合门厚: 38-58mm Available door thickness: 38-58mm
锁面板材质: 锌合金 Lock strike plate material: Zinc Alloy	钥匙: 3条白铜钥匙 Keys: 6 pcs of double beads white brass keys
感应技术: 快速防冲冲突机制, 防数据干扰 Sensor technology: leakage and conflict prevention to avoid data interference	
特别提示: 右开门门锁 锁面板分左右 锁体分左右内外 Special Notice: Lock-right open Lock plate classified: left and right Lock case options: Left inner open, left out open, right inner open, right out open.	

- 产品优点 Product Feature:
1. 超低功耗处理, 待机电流<30微安, 采用4节5号电池供电;
  2. 读卡灵敏度高, 响应时间<0.5秒;
  3. 电路板全密封处理, 具有防潮防锈功能;
  4. 核心原器件采用原装进口, 保证产品的质量;
  5. 电机驱动电路使用国外原装进口IC, 取代市面上常用的分立元器件构成的H桥驱动电路, 减少外围元器件, 保证了产品的稳定性;
  6. 双时钟设计, 使用飞利浦时钟芯片, 保证了门锁系统时间的可靠稳定;
  7. 提供丰富的软件接口, 实现与第三方软件无缝对接;
  8. M1发卡器免驱动;
  9. 提供电梯、公共门、房号型取电开关灯多种扩展附件, 完善了酒店整体解决方案;
  10. 自带一套功能完善的酒店智能门锁管理软件, 使得产品易用好用, 简约不简单。

! 警示功能 ALARM FUNCTION

- 斜舌报警 Latch bolt alarm
- 低压报警 Low pressure alarm

● 管理功能 MANAGEMENT FUNCTION

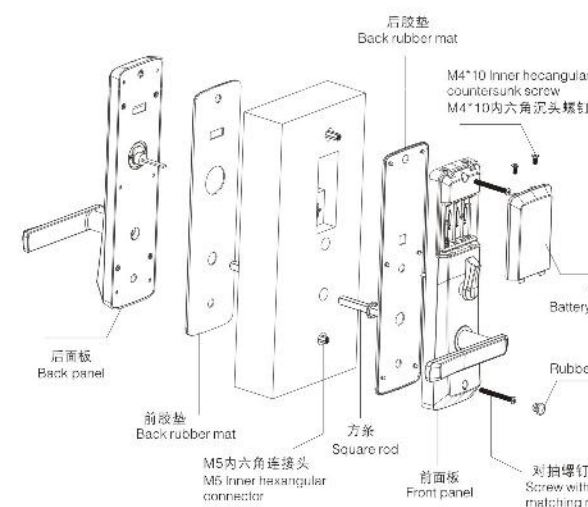
- 十六种智能感应卡 16 induction cards
- 酒店锁管理系统 Hotel Lock management system

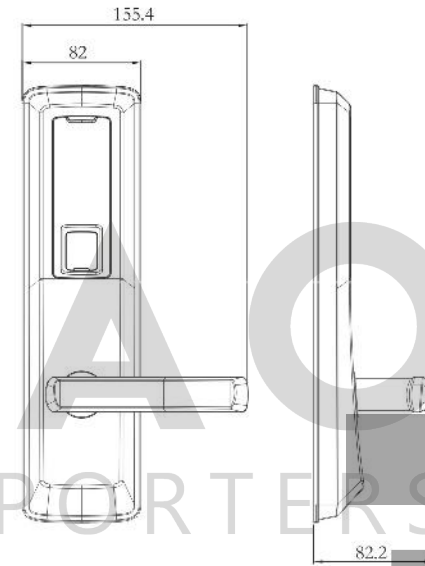
● 常规设置 (设置时钟、语言)  
General setup ( set the clock, language )

智能酒店锁 Intelligent Hotel Locks

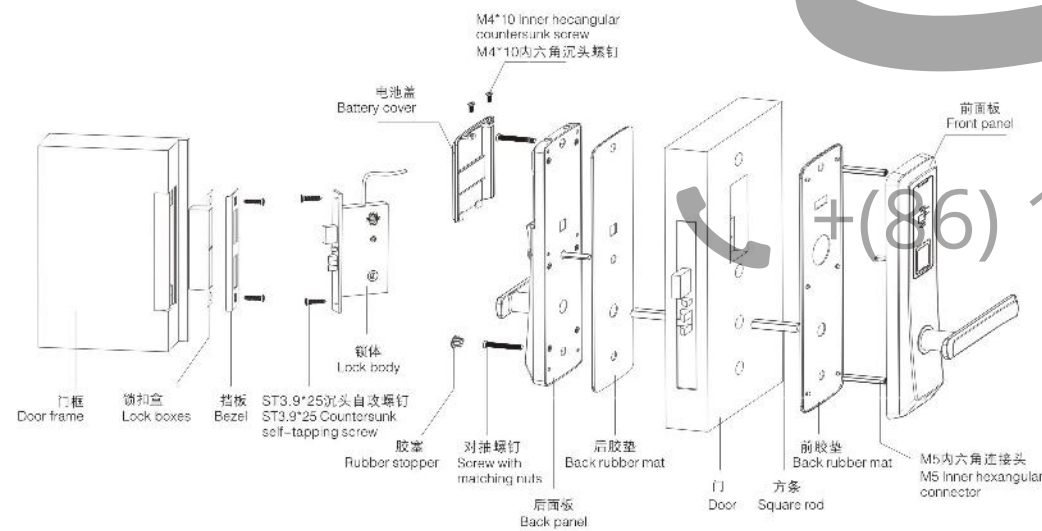


- 感应卡开锁 Card lock
- 应急机械钥匙开锁 Key lock



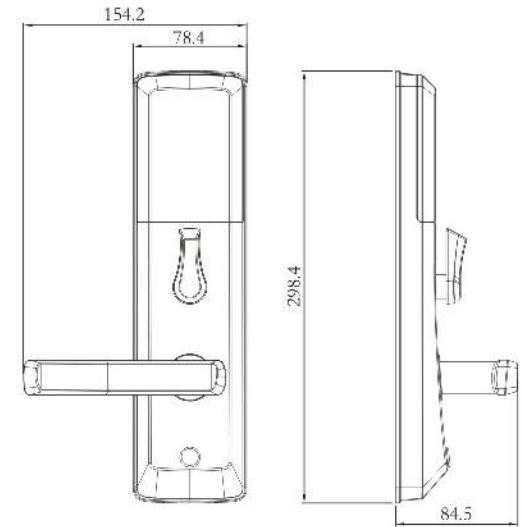


HZ-69532 贝韵 酒店锁  
产品结构图:图例 BEYUN



二、配件图  
parts illustration

编号 NO	名称 description	图示 Diagram Form	数量 Quantity	编号 NO	名称 description	图示 Diagram Form	数量 Quantity	编号 NO	名称 description	图示 Diagram Form	数量 Quantity
01	前面板 Front panel		1	06	锁盒扣 Lock boxes		1	11	后面板 Back panel		1
02	锁体 Lock Body		1	07	内六角连接头 Inner hexagonal connector		2	12	电池盖 Battery cover		1
03	胶塞 Rubber stopper		1	08	对抽螺钉 Screw with matching nuts		2	13	后胶垫 Back rubber mat		1
04	前胶垫 Front rubber mat		1	09	方条 Square rod		2	14	沉头自攻螺钉 Countersunk self-tapping screw		4
05	挡板 Bezel		1	10	内六角沉头螺钉 Inner hexagonal countersunk screw		2	15	应急机械钥匙 Key lock		3



贝韵 BEYUN  
HZ-69532 酒店锁 拉丝锁/光锁  
Hotel Lock SN/NP

产品属性 Product Features	产品属性 Product Features
表面处理: 拉丝锁/光锁 Finish: SN/NP	锁体: 电子锁体 HZ-531-M Lock body: HZ-531-M
锁把手材质: 锌合金 Lever material: Zinc Alloy	适合门厚: 38-58mm Available door thickness: 38-58mm
锁面板材质: 锌合金 Lock strike plate material: Zinc Alloy	钥匙: 3条白铜钥匙 Keys: 3 pcs of double beads white brass keys

感应技术:快速防冲撞机制, 防数据干扰  
Sensor technology: leakage and conflict prevention to avoid data interference

特别提示: 右开门门锁 锁面板分左右 锁体分左右内外  
Special Notice: Lock-right open Lock plate classified: left and right Lock case options: Left inner open, left out open, right inner open, right out open.

产品优点 Product Feature:

1. 超低功耗处理, 待机电流<30微安, 采用4节5号电池供电;
2. 读卡灵敏度高, 响应时间<0.5秒;
3. 电路板全密封处理, 具有防潮防锈功能;
4. 核心原器件采用原装进口, 保证产品的质量;
5. 电机驱动电路使用国外原装专用驱动IC, 取代市面上常用的分立元器件构成的H桥驱动电路, 减少外围元器件, 保证了产品的稳定性;
6. 双时钟设计, 使用飞利浦时钟芯片, 保证了门锁系统时间的可靠稳定;
7. 提供丰富的软件接口, 实现与第三方软件无缝对接;
8. M1发卡器免驱动;
9. 提供电梯、公共门、房号型取电开关灯多种扩展附件, 完善了酒店整体解决方案;
10. 自带一套功能完善的酒店智能门锁管理软件, 使得产品易用好用, 简约不简单。

1. Low power consumption processing, standby current<30 microamps;
2. Induction sensitive, response time less than 0.5 seconds;
3. Circuit board is full seal processing, moisture-proof and antirust function;
4. Core device is imported with original packaging, guarantee the quality;
5. Motor drive circuit uses the foreign original special driver IC to replace the H drive circuit composed the discrete, more guarantee for its stability;
6. Double clock design and uses Philips clock chip to ensure the door lock system time reliable and stable;
7. Provided enough software interface, realized the third party software seamless docking;
8. No need drive for M1 Hairpin device;
9. Provided many kinds of extended accessories for elevator, public doors, room electric switch to improve the whole hotel solution;
10. Own a set of management software in the hotel solution.

! 警示功能 ALARM FUNCTION

斜舌报警 Latch bolt alarm  
低压报警 Low pressure alarm

• 管理功能 MANAGEMENT FUNCTION

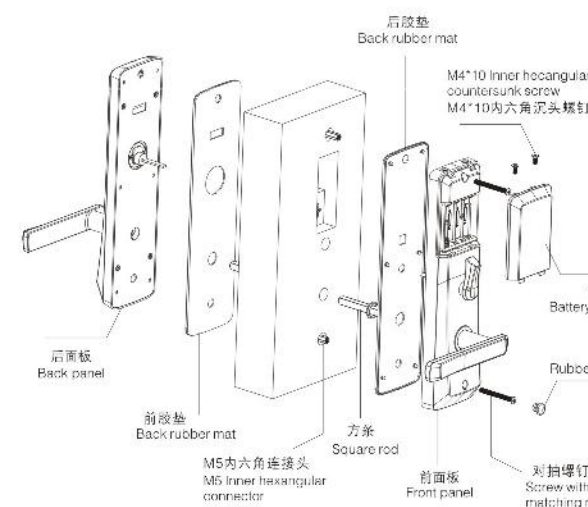
十六种智能感应卡 16 induction cards  
酒店锁管理系统 Hotel Lock management system

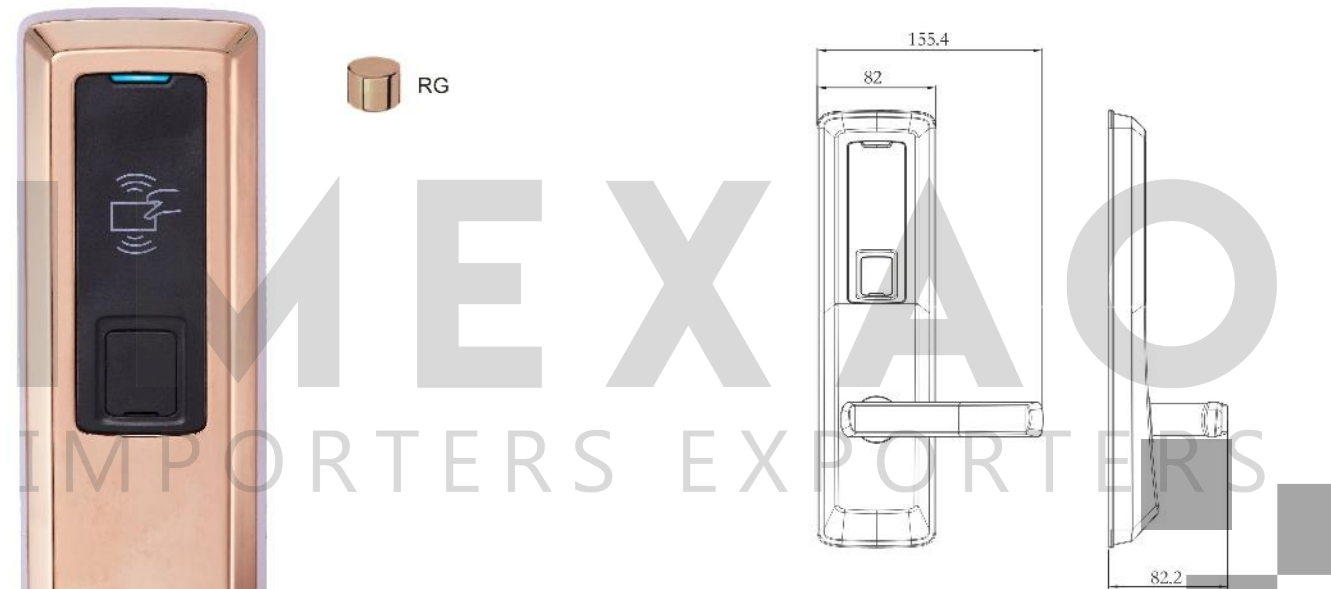
• 常规设置 (设置时钟、语言)  
General setup ( set the clock, language )

智能酒店锁 Intelligent Hotel Locks

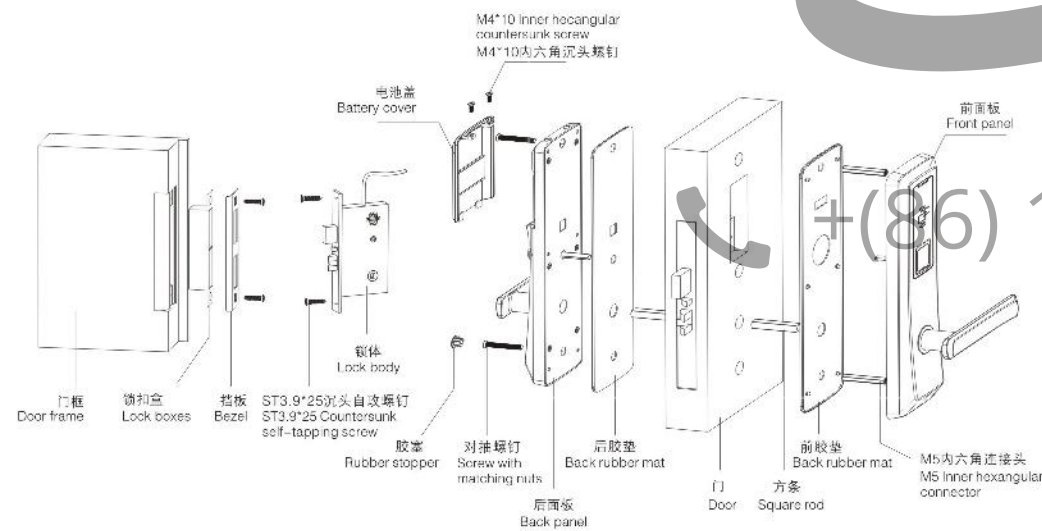


感应卡开锁 Card lock  
应急机械钥匙开锁 Key lock



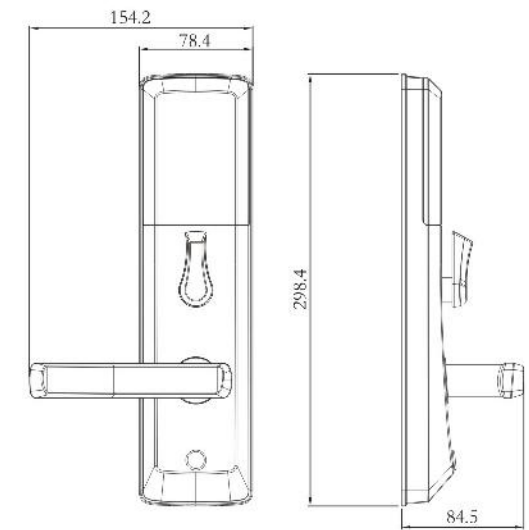


HZ-69532 贝韵 酒店锁  
产品结构图:图例 BEYUN



二、配件图  
parts illustration

编号 NO	名称 description	图示 Diagram Form	数量 Quantity	编号 NO	名称 description	图示 Diagram Form	数量 Quantity	编号 NO	名称 description	图示 Diagram Form	数量 Quantity
01	前面板 Front panel		1	06	锁盒扣 Lock boxes		1	11	后面板 Back panel		1
02	锁体 Lock Body		1	07	内六角连接头 Inner hexagonal connector		2	12	电池盖 Battery cover		1
03	胶塞 Rubber stopper		1	08	对抽螺钉 Screw with matching nuts		2	13	后胶垫 Back rubber mat		1
04	前胶垫 Front rubber mat		1	09	方条 Square rod		2	14	沉头自攻螺钉 Countersunk self-tapping screw		4
05	挡板 Bezel		1	10	内六角沉头螺钉 Inner hexagonal countersunk screw		2	15	应急机械钥匙 Key lock		3



贝韵 BEYUN  
HZ-69532 酒店锁 玫瑰金  
Hotel Lock RG

产品属性 Product Features

表面处理: 玫瑰金 Finish: Rose gold	锁体: 电子锁体 HZ-531-M Lock body: HZ-531-M
锁把手材质: 锌合金 Lever material: Zinc Alloy	适合门厚: 38-58mm Available door thickness: 38-58mm
锁面板材质: 锌合金 Lock strike plate material: Zinc Alloy	钥匙: 3条白铜钥匙 Keys: 3 pcs of double beads white brass keys
感应技术: 快速防撞冲突机制, 防数据干扰 Sensor technology: leakage and conflict prevention to avoid data interference.	
特别提示: 右开门门锁 锁面板分左右 锁体分左右内外 Lock-right open Lock plate classified: left and right Lock case options: Left inner open, left out open, right inner open, right out open.	

产品优点 Product Feature:

1. 超低功耗处理, 待机电流<30微安, 采用4节5号电池供电;
2. 读卡灵敏度, 响应时间<0.5秒;
3. 电路板全密封处理, 具有防潮防锈功能;
4. 核心原器件采用原装进口, 保证产品的质量;
5. 电机驱动电路使用国外原装专用驱动IC, 取代市面上常用的分立元器件组成的H桥驱动电路, 减少外围元器件, 保证了产品的稳定性;
6. 双时钟设计, 使用飞利浦时钟芯片, 保证了门锁系统时间的可靠稳定;
7. 提供丰富的软件接口, 实现与第三方软件无缝对接;
8. M1发卡驱动; 9. 提供电梯、公共门、房号型取电开关灯多种扩展附件, 完善了酒店整体解决方案;
10. 自带一套功能完善的酒店智能门锁管理软件, 使得产品易用好用, 简约不简单。

! 警示功能 ALARM FUNCTION

- 斜舌报警 Latch bolt alarm
- 低压报警 Low pressure alarm

• 管理功能 MANAGEMENT FUNCTION

十六种智能感应卡  
16 induction cards

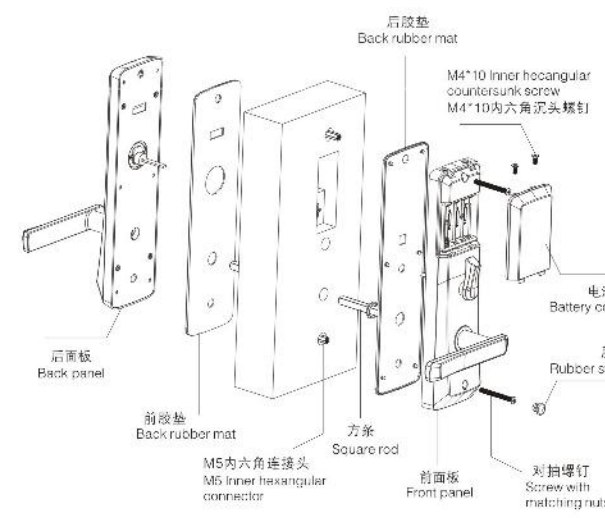
酒店锁管理系统  
Hotel Lock management system

• 常规设置 (设置时钟、语言)  
General setup ( set the clock, language )

智能酒店锁 Intelligent Hotel Locks



- 感应卡开锁 Card lock
- 应急机械钥匙开锁 Key lock





Intelligent  
Hotel Lock  
智能酒店锁

(86) 186-8880-7020

**BEST** | 贝仕  
HZ-69533

一座繁华的城市，一辆经典豪车，一个风度翩翩的绅士，  
自然流露出繁荣、奢华与高品位的时尚风向。  
汇泰龙将这一经久不衰的时尚经典融入每一处设计，  
以简约流畅，精炼透气，行云流水般的一气呵成，  
近乎完美的精湛技艺，悉心雕琢每一道曲线，  
释放出无限的时尚之美，彰显锋芒内敛的极致风采。

A prosperous City, a classical luxury car, a demeanor gentleman,  
Naturally showing the fashion of flourish, luxury and high grade.  
Hutlon integrate this enduring classic fashion every design,  
With Simple and smooth, refined breathable, to fill the gap at one step,  
The precise technical nearly perfect, carefully sculpture ever curved line.

Releasing endless beauty of fashion, highlighting the extreme edge introverted intellectual style.

外观创意来源于经典豪车

The appearance of ideas from the classic luxury car



经典豪车  
The classic luxury car



产品侧面  
The product side



产品正面  
Positive product

**HW-2 253-254**

Hutlon 汇泰龙

BEST 贝仕  
HZ-69533



### Extreme aestheticism Masculinity

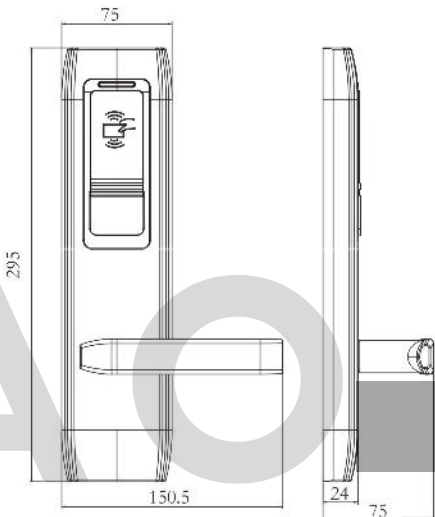
至尊唯美 阳刚之气

汇泰龙以现代绅士的风度和品位  
诠释现代主义的生活方式  
通过简约通畅，精炼透气  
近乎完美的精湛技艺，悉心雕琢  
勾画出经久不衰的时尚经典  
散发着绅士有阳刚之气  
无不让人心潮澎湃，浮想联翩

Meeting Talon to modern gentleman and grade  
Explained the Marxism's way of life  
Through simple smooth, refined ventilation  
Virtuosity near perfect, carefully carving  
Sketch out the enduring classic fashion  
Exudes a gentleman is manly  
Let a person be full of excitement., thoughts thronged

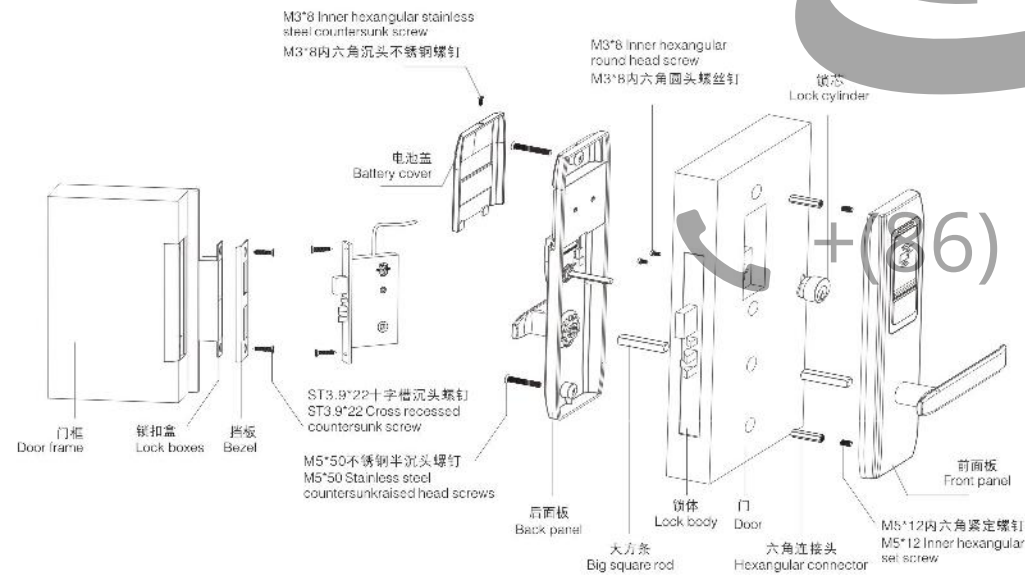
HW-2 255-256

+(86) 86-8880-7020



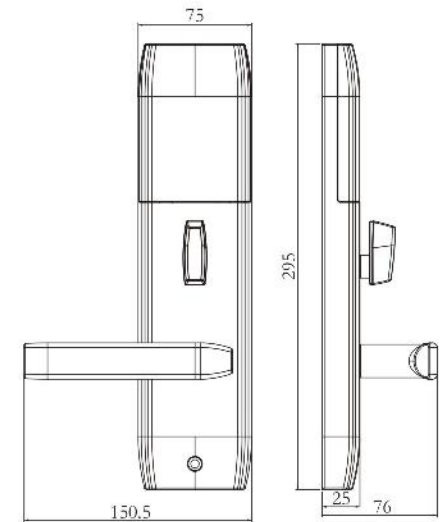
HZ-69533 贝仕 酒店锁

产品结构图:图例 BEST  
Product Structure drawing: drawing sample



二、配件图 parts illustration

编号 NO	名称 description	图示 Diagram Form	数量 Quantity	编号 NO	名称 description	图示 Diagram Form	数量 Quantity	编号 NO	名称 description	图示 Diagram Form	数量 Quantity
01	前盖板 Front panel		1	06	锁盒扣 Lock boxes		1	11	后盖板 Back panel		1
02	锁体 Lock Body		1	07	六角连接器 Hexangular connector		2	12	电池盖 Battery cover		1
03	锁芯 Lock cylinder		1	08	不锈钢半沉头螺钉 Stainless steel countersunk raised head screws		2	13	内六角圆头螺丝钉 Inner hexangular round head screw		2
04	大方条 Big square rod		2	09	内六角圆头螺钉 Inner hexangular set screw		2	14	十字槽沉头螺钉 Cross recessed countersunk screw		4
05	挡板 Bezel		1	10	内六角沉头不锈钢螺钉 Inner hexangular stainless steel countersunk screw		1	15	应急机械钥匙 key lock		3



贝仕 BEST  
HZ-69533 酒店锁 光金  
Hotel Lock GP

产品属性 Product Features

表面处理: 光金 Finish: GP	锁体: 电子锁体 HZ-533-M Lock body: HZ-533-M
锁把手材质: 锌合金 Lever material: Zinc Alloy	适合门厚: 38-58mm Available door thickness: 38-58mm
锁面板材质: 锌合金 Lock strike plate material: Zinc Alloy	钥匙: 3条白铜钥匙 Keys: 3 pcs of double beads white brass keys
感应技术: 快速防冲冲突机制, 防数据干扰 Sensor technology: leakage and conflict prevention to avoid data interference	
特别提示: 右开门门锁 锁面板分左右 锁体分左右内外 Lock-right open Lock plate classified: left and right Lock case options: Left inner open, left out open, right inner open, right out open.	

产品优点 Product Feature:

1. 超低功耗处理, 待机电流<30微安, 采用4位5号电池供电;
2. 读卡灵敏度高, 响应时间<0.5秒;
3. 电路板全密封处理, 具有防潮防霉功能;
4. 核心原件采用原装进口, 保证产品的质量;
5. 电机驱动电路使用国外原装专用驱动IC, 取代市面上常用的分立元器件构成的H桥驱动电路, 减少外围元器件, 保证了产品的稳定性;
6. 双时钟设计, 使用飞利浦时钟芯片, 保证了门锁系统时间的可靠稳定;
7. 提供丰富的软件接口, 实现与第三方软件无缝对接;
8. M1发卡器免驱动;
9. 提供电梯、公共门、房号型取电开关灯多种扩展附件, 完善了酒店整体解决方案;
10. 自带一套功能完善的酒店智能门锁管理软件, 使得产品易用好用, 简约不简单。

1. Low power consumption processing, standby current<30 microamps;
2. Induction sensitive, response time less than 0.5 seconds;
3. Circuit board is full seal processing, moisture-proof and antirust function;
4. Core device is imported with original packaging, guarantee the quality;
5. Motor drive circuit uses the foreign original special driver IC to replace the H drive circuit composed the discrete, more guarantee for its stability;
6. Double clock design and uses Philips clock chip to ensure the door lock system time reliable and stable;
7. Provided enough software interface, realized the third party software seamless docking;
8. No need dive for M1 Hairpin device;
9. Provided many kinds of extended accessories for elevator, public doors, room electric switch to improve the whole hotel solution;
10. Own a set of management software in the hotel solution.

! 警示功能 ALARM FUNCTION

- 斜舌报警 Latch bolt alarm
- 低压报警 Low pressure alarm

• 管理功能 MANAGEMENT FUNCTION

- 十六种智能感应卡 16 induction cards
- 酒店锁管理系统 Hotel Lock management system

• 常规设置 (设置时钟、语言)  
General setup ( set the clock, language )

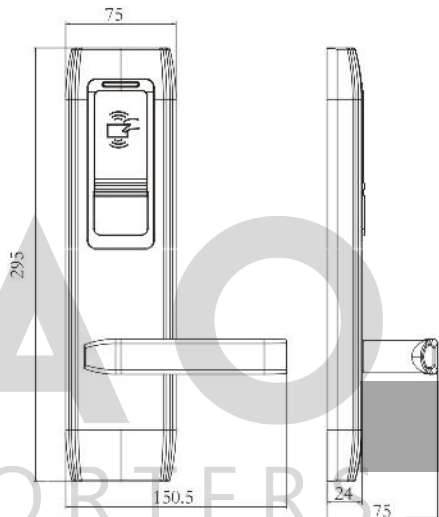
智能酒店锁 Intelligent Hotel Locks



- 感应卡开锁 Card lock
- 应急机械钥匙开锁 Key lock

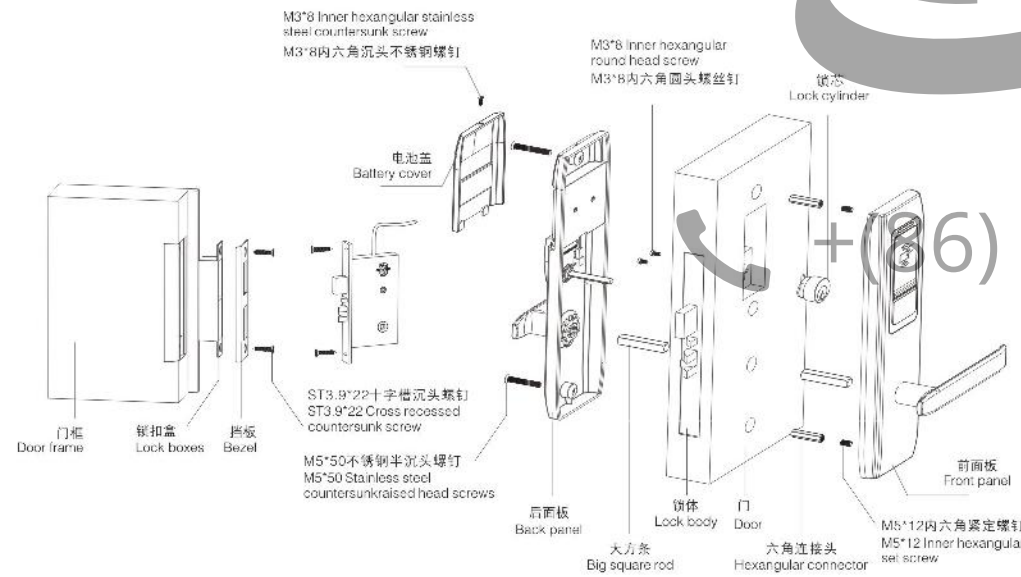


CP



HZ-69533 贝仕 酒店锁

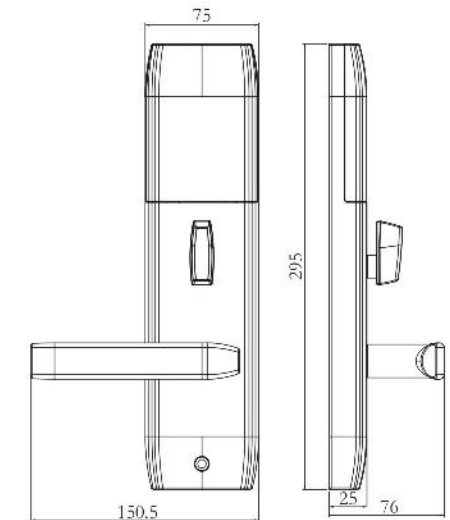
产品结构图:图例 BEST  
Product Structure drawing: drawing sample



二、配件图  
parts illustration

编号 NO	名称 description	图示 Diagram Form	数量 Quantity	编号 NO	名称 description	图示 Diagram Form	数量 Quantity	编号 NO	名称 description	图示 Diagram Form	数量 Quantity
01	前盖板 Front panel		1	06	锁盒扣 Lock boxes		1	11	后盖板 Back panel		1
02	锁体 Lock Body		1	07	六角连接器 Hexangular connector		2	12	电池盖 Battery cover		1
03	锁芯 Lock cylinder		1	08	不锈钢半沉头螺钉 Stainless steel countersunk raised head screws		2	13	内六角圆头螺丝钉 Inner hexangular round head screw		2
04	大方条 Big square rod		2	09	内六角圆头螺钉 Inner hexangular set screw		2	14	十字槽沉头螺钉 Cross recessed countersunk screw		4
05	挡板 Bezel		1	10	内六角沉头不锈钢螺钉 Inner hexangular stainless steel countersunk screw		1	15	应急机械钥匙 Key lock		3

IMPORTERS EXPORTERS



贝仕 BEST  
HZ-69533 酒店锁 光铂  
Hotel Lock CP

产品属性 Product Features

表面处理: 光铂 Finish: CP	锁体: 电子锁体 HZ-533-M Lock body: HZ-533-M
锁把手材质: 锌合金 Lever material: Zinc Alloy	适合门厚: 38-58mm Available door thickness: 38-58mm
锁面板材质: 锌合金 Lock strike plate material: Zinc Alloy	钥匙: 3条白铜钥匙 Keys: 6 pcs of double beads white brass keys

感应技术:快速防撞冲突机制,防数据干扰  
Sensor technology: leakage and conflict prevention to avoid data interference

特别提示: 右开门锁 锁面板分左右 锁体分左右内外  
Special Notice: Lock-right open Lock plate classified:left and right Lock case options: Left inner open, left out open, right inner open, right out open.

产品优缺点 Product Feature:

1. 超低功耗处理,待机电流<30微安,采用4节5号电池供电;
2. 读卡灵敏度高,响应时间<0.5秒;
3. 电路板全密封处理,具有防潮防锈功能;
4. 核心原件采用原装进口,保证产品的质量;
5. 电机驱动电路使用国外原装专用驱动IC,取代市面上常用的由分立元器件构成的H桥驱动电路,减少外围元器件,保证了产品的稳定性;
6. 双时钟设计,使用飞利浦时钟芯片,保证了门锁系统时间的可靠稳定;
7. 提供丰富的软件接口,实现与第三方软件无缝对接;
8. M1发卡器免驱动;
9. 提供电梯、公共门、房号型取电开关灯多和扩展附件,完善了酒店整体解决方案;
10. 自带一套功能完善的酒店智能门锁管理软件,使得产品易学好用,简约不简单。

1. Low power consumption processing, standby current<30 microamps;
2. Induction sensitive, response time less than 0.5 seconds;
3. Circuit board is full seal processing, moisture-proof and antirust function;
4. Core device is imported with original packaging, guarantee the quality;
5. Motor drive circuit uses the foreign original special driver IC to replace the H drive circuit composed the discrete, more guarantee for its stability;
6. Double clock design and uses Philips clock chip to ensure the door lock system time reliable and stable;
7. Provided enough software interface, realized the third party software seamless docking;
8. No need dive for M1 Hairpin device;
9. Provided many kinds of extended accessories for elevator, public doors, room electric switch to improve the whole hotel solution;
10. Own a set of management software in the hotel solution.

! 警示功能 ALARM FUNCTION

- 斜舌报警 Latch bolt alarm
- 低压报警 Low pressure alarm

• 管理功能 MANAGEMENT FUNCTION

- 十六种智能感应卡 16 induction cards
- 酒店锁管理系统 Hotel Lock management system

• 常规设置 (设置时钟、语言)  
General setup ( set the clock, language )

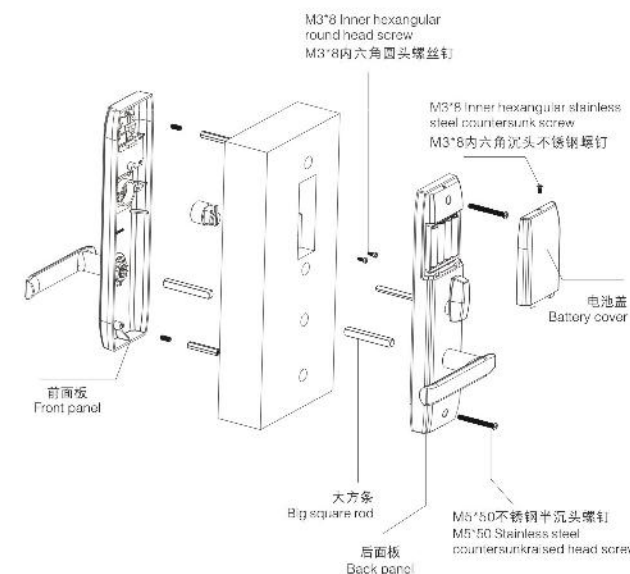
智能酒店锁 Intelligent Hotel Locks



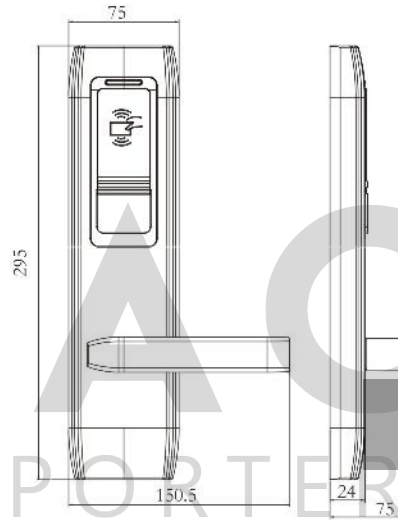
- 感应卡开锁 Card lock
- 应急机械钥匙开锁 Key lock

IMPORTERS EXPORTERS

产品结构图:图例  
Product Structure drawing: drawing sample

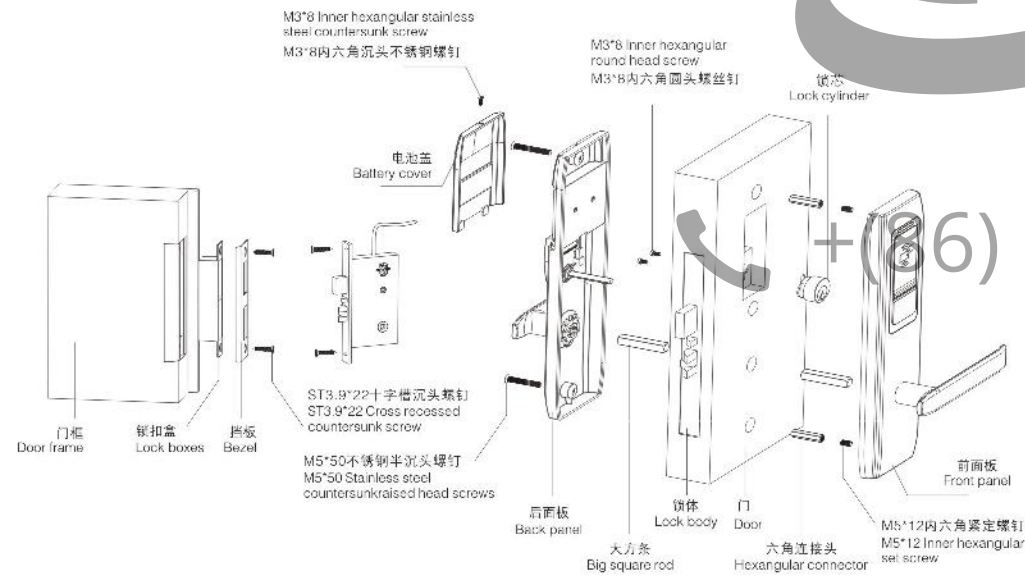


+ (86) 186-8880-7020



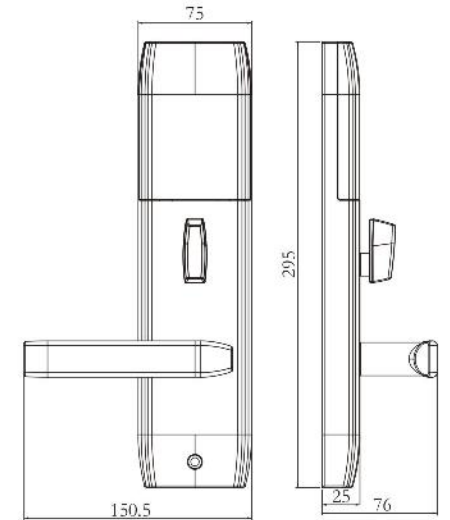
HZ-69533 贝仕 酒店锁

产品结构图:图例 BEST  
Product Structure drawing: drawing sample



二、配件图  
parts illustration

编号 NO	名称 description	图示 Diagram Form	数量 Quantity	编号 NO	名称 description	图示 Diagram Form	数量 Quantity	编号 NO	名称 description	图示 Diagram Form	数量 Quantity
01	前盖板 Front panel		1	06	锁盒扣 Lock boxes		1	11	后盖板 Back panel		1
02	锁体 Lock Body		1	07	六角连接器 Hexangular connector		2	12	电池盖 Battery cover		1
03	锁芯 Lock cylinder		1	08	不锈钢半沉头螺钉 Stainless steel countersunk raised head screws		2	13	内六角圆头螺丝钉 Inner hexangular round head screw		2
04	大方条 Big square rod		2	09	内六角圆头螺钉 Inner hexangular set screw		2	14	十字槽沉头螺钉 Cross recessed countersunk screw		4
05	挡板 Bezel		1	10	内六角沉头不锈钢螺钉 Inner hexangular stainless steel countersunk screw		1	15	应急机械钥匙 key lock		3



贝仕 BEST  
HZ-69533 酒店锁 玫瑰金  
Hotel Lock RG

产品属性 Product Features

表面处理: 玫瑰金 Finish: Rose gold	锁体: 电子锁体 HZ-533-M Lock body: HZ-533-M
锁把手材质: 锌合金 Lever material: Zinc Alloy	适合门厚: 38-58mm Available door thickness: 38-58mm
锁面板材质: 锌合金 Lock strike plate material: Zinc Alloy	钥匙: 3条白铜钥匙 Keys: 3 pcs of double beads white brass keys
感应技术:快速防冲冲突机制, 防数据干扰 Sensor technology: leakage and conflict prevention to avoid data interference	
特别提示: 右开门门锁 锁面板分左右 锁体分左右内外 Special Notice: Lock-right open Lock plate classified: left and right Lock case options: Left inner open, left out open, right inner open, right inner open.	

产品优点 Product Feature:

1. 超低功耗处理, 待机电流<30微安, 采用4节5号电池供电; 2. 读卡灵敏度, 响应时间<0.5秒; 3. 电路板全密封处理, 具有防潮防锈功能; 4. 核心原器件采用原装进口, 保证产品的质量; 5. 电机驱动电路使用国外原装专用驱动IC, 取代市面上常用的分立元器件构成的H桥驱动电路, 减少外围元器件, 保证了产品的稳定性; 6. 双时钟设计, 使用飞利浦时芯片, 保证了门锁系统时间的可靠稳定; 7. 提供丰富的软件接口, 实现与第三方软件无缝对接; 8. M1发卡器免驱动; 9. 提供电梯、公共门、房号电取电开关灯等多种扩展附件, 完善了酒店整体解决方案; 10. 自带一套功能完善的酒店智能门锁管理软件, 使得产品易用好用, 简约不简单。

1. Low power consumption processing, standby current<30 microamps;  
2. Induction sensitive, response time less than 0.5 seconds;  
3. Circuit board is full seal processing, moisture-proof and antirust function;  
4. Core device is imported with original packaging, guarantee the quality;  
5. Motor drive circuit uses the foreign original special driver IC to replace the H drive circuit composed the discrete, more guarantee for its stability;  
6. Double clock design and uses Philips clock chip to ensure the door lock system time reliable and stable;  
7. Provided enough software interface, realized the third party software seamless docking;  
8. No need dive for M1 Hairpin device;  
9. Provided many kinds of extended accessories for elevator, public doors, room electric switch to improve the whole hotel solution;  
10. Own a set of management software in the hotel solution.

! 警示功能 ALARM FUNCTION

斜舌报警 Latch bolt alarm  
低压报警 Low pressure alarm

• 管理功能 MANAGEMENT FUNCTION

十六种智能感应卡 16 induction cards  
酒店锁管理系统 Hotel Lock management system

• 常规设置 (设置时钟、语言)  
General setup ( set the clock, language )

智能酒店锁 Intelligent Hotel Locks



感应卡开锁 Card lock  
应急机械钥匙开锁 Key lock





IMEXA  
IMPORTERS EXPORTERS



# JIEZHI | 捷智 HZ-69501

只需一个潇洒动作，温馨迎面而来，  
是灿烂流星在宁静夜色中亮丽的一划，  
是绚烂烟花在夜空绽放的一瞬间带来的喜悦，  
更是汇泰龙智能酒店锁带来快捷、舒适生活体验。  
汇泰龙始终以超前的技术，时尚的设计理念  
以及出色的生产工艺，在同行中独树一帜。

Just a natural and unrestrained, warm,  
Bright meteor in the quiet night,  
Gorgeous fireworks in the night sky blooming moment of joy,  
smart hotel lock brings efficient, comfortable life experience.  
Hutlon always with advanced technology, fashion design idea  
excellent production technology, is unique among peers.

外观创意来源于世界著名的圆形建筑  
The appearance of ideas from the world famous circular building



圆形建筑  
Circular building



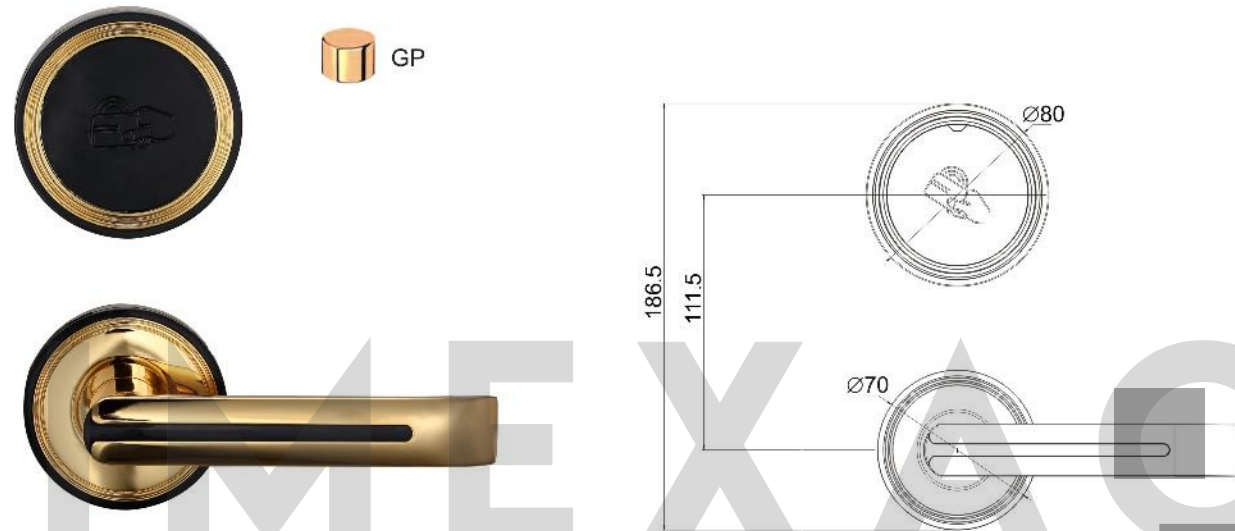
产品侧面  
The product side



产品正面  
Positive product

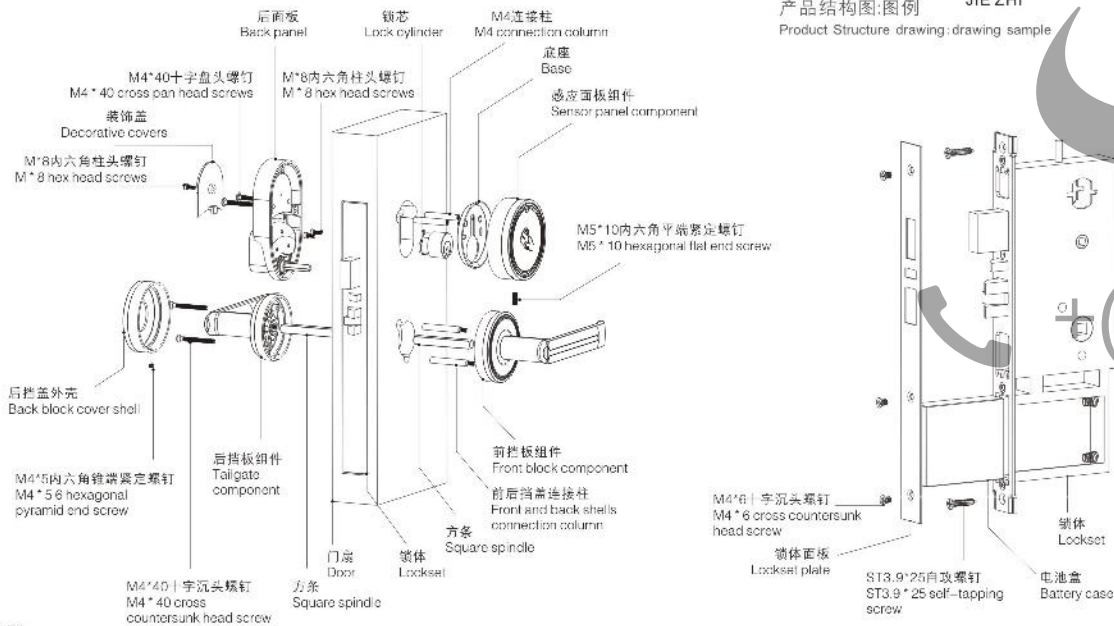
+ (86) 186-8880-7020

HW-2 263-264



HZ-69501 捷智 酒店锁

产品结构图:图例 JIE ZHI  
Product Structure drawing: drawing sample

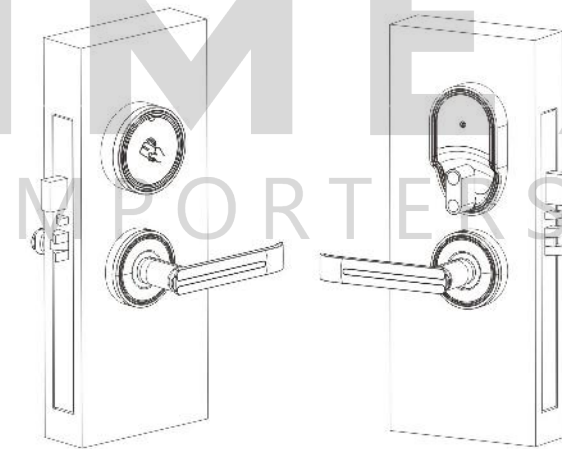


二、配件图  
parts illustration

编号 NO	名称 description	图示 Diagram Form	数量 Quantity	编号 NO	名称 description	图示 Diagram Form	数量 Quantity	编号 NO	名称 description	图示 Diagram Form	数量 Quantity
01	前面板 Front panel		1	06	锁盒扣 Lock broos		1	11	后面板 Back panel		1
02	锁体 Lock Body		1	07	前后挡盖连接柱 Front and back shells connection column		2	12	内六角圆头螺丝钉 Inner hexagonal round head screw		2
03	锁芯 Lock cylinder		1	08	M4*40十字沉头螺钉 M4*40 cross countersunk head screw		2	13	十字沉头螺钉 Cross countersunk countersunk screw		4
04	大方条 Big square rod		2	09	内六角圆头螺钉 Inner hexagonal round head screw		2	14	应急机械钥匙 Emergency mechanical key		3
05	挡板 Bezel		1	10	一字沉头不带锁紧钉 One-way countersunk starless head countersunk screw		1				

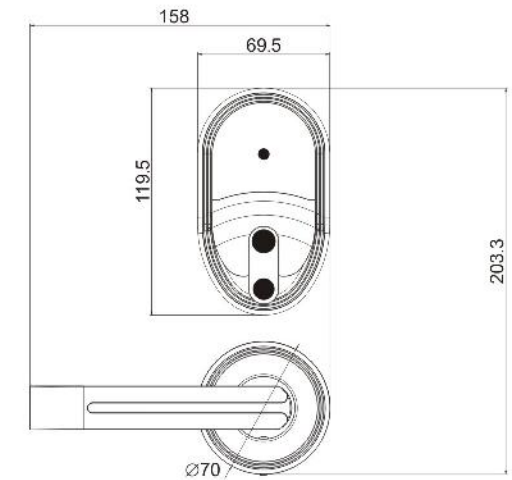


外观图:图例  
Appearance figure: drawing sample



正面轴测图  
Positive axonometric drawing

背面轴测图  
Opposite axonometric drawing



捷智 JIE ZHI  
HZ-69501 酒店锁 光金  
Hotel Lock GP

产品属性 Product Features	产品特性 Product Features
表面处理: 光金 Finish: GP	锁体: 电子锁体 501-M Lock body: 501-M
锁把手材质: 锌合金 Lever material: Zinc Alloy	适合门厚: 38-58mm Available door thickness: 38-58mm
锁面板材质: ABS塑料+锌合金 Lock strike plate material: ABS plastic + Zinc Alloy	钥匙: 3条白铜钥匙 Keys: 3 pcs of double beads white brass keys
感应技术: 快速防冲冲突机制, 防数据干扰 Sensor technology: leakage and conflict prevention to avoid data interference	
特别提示: 右开门门锁 锁面板分左右 锁体分左右内外 Special Notice: Lock-right open Lock plate classified: left and right Lock case options: Left inner open, left out open, right inner open, right out open.	

● 产品优点 Product Feature:  
1. 感应卡选用飞利浦原装进口芯片, 开锁性能可靠稳定; 2. 优良的结构设计, 精湛的铸造, 提升产品防钻、防撬、抗破坏能力; 3. 外形简约, 结合细致工艺, 衬托出产品高档次和科技含量; 4. 酒店锁的配套产品还有酒店管理软件、发卡器、感应卡(16种)、取电开关、电梯控制器。  
开发理由: 根据市场调研, 越来越多的设计师在设计酒店装修时使用分体的酒店锁, 试产需求大。所以根据现有的酒店锁衍生设计一款分体酒店锁。

1. Sensor card adopts original imported Philips chip, which ensures the lock performance to be stable and reliable; 2. The fine structure design and the exquisite casting, which improves its ability of anti-drilling, pry-proof and damage resistance; 3. The contracted appearance combined with detailed process, foils this product's high grade and technology; 4. The auxiliary products of the hotel lock are hotel management software, card device, sensor cards (16 kinds), power switch and elevator controller.  
Development reason: according to market research, more and more designers use separate hotel locks when in decorating. There's large demand from market, so we design a derivation in separate based on the existing hotel locks.

! 警示功能 ALARM FUNCTION  
斜舌报警 Latch bolt alarm  
低电压报警 Low pressure alarm

● 管理功能 MANAGEMENT FUNCTION

- 十六种智能感应卡 16 induction cards
- 酒店锁管理系统 Hotel Lock management system

● 常规设置 (设置时钟、语言)  
General setup ( set the clock, language )

智能酒店锁 Intelligent Hotel Locks



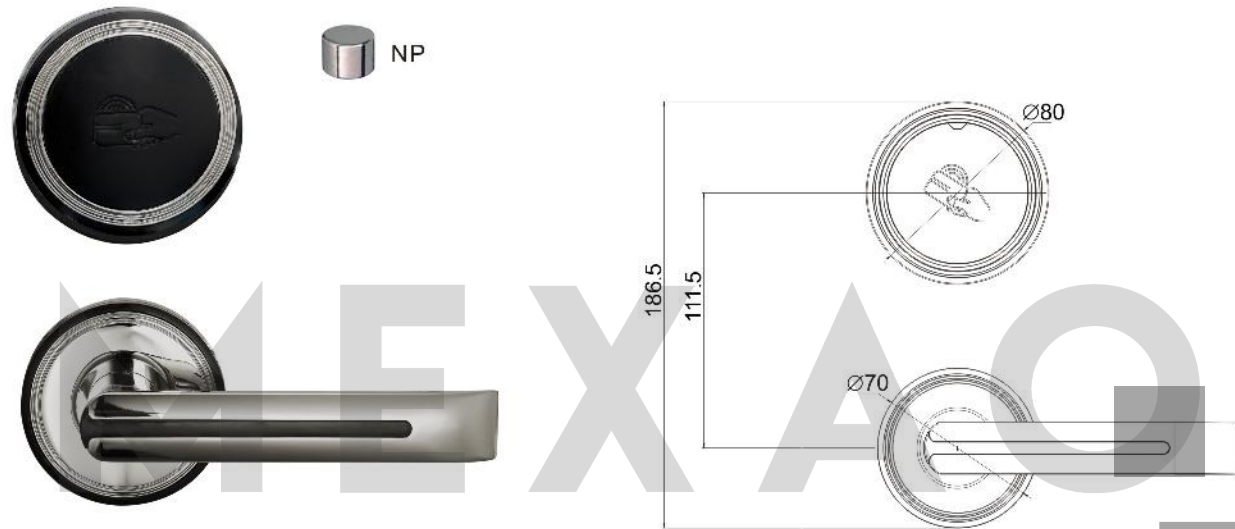
感应卡开锁  
Card lock

1

酒店锁系列 Hotel Lock series

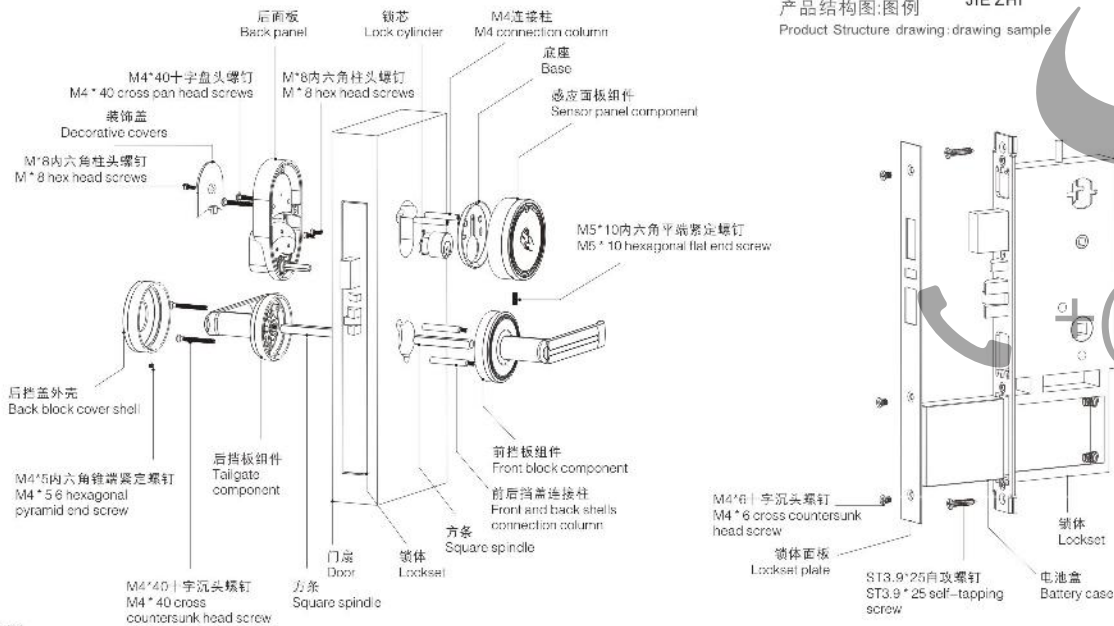


ONE 智慧电子锁  
Intelligent Electronic Locks  
米兰世界博展金牌战略合作伙伴  
STATEGIC PARTNER OF EXPO2015 MILANO



HZ-69501 捷智 酒店锁

产品结构图:图例 JIE ZHI  
Product Structure drawing: drawing sample



二、配件图  
parts illustration

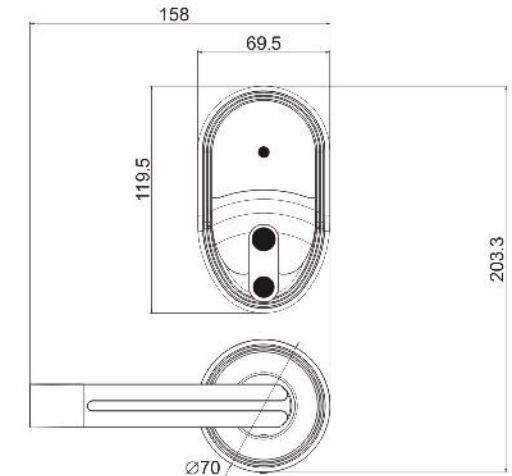
编号 NO	名称 description	图示 Diagram Form	数量 Quantity	编号 NO	名称 description	图示 Diagram Form	数量 Quantity	编号 NO	名称 description	图示 Diagram Form	数量 Quantity
01	前面板 Front panel		1	06	锁盒扣 Lock broos		1	11	后面板 Back panel		1
02	锁体 Lock Body		1	07	前后挡盖连接柱 Front and back shells connection column		2	12	内六角圆头螺丝钉 Inner hexagonal round head screw		2
03	锁芯 Lock cylinder		1	08	M4*40十字沉头螺钉 M4*40 cross countersunk head screw		2	13	十字沉头螺钉 Cross countersunk countersunk screw		4
04	大方条 Big square rod		2	09	内六角圆头螺钉 Inner hexagonal round head screw		2	14	应急机械钥匙 Emergency mechanical key		3
05	挡板 Bezel		1	10	一字沉头不带锁紧钉 Cross countersunk starless head countersunk screw		1				

酒店锁系列 Hotel Lock series



1

ONE 智慧电子锁  
Intelligent Electronic Locks  
米兰世界博展金牌战略合作伙伴  
STATEGIC PARTNER OF EXPO2015 MILANO



捷智 JIE ZHI  
HZ-69501 酒店锁 光锁  
Hotel Lock NP

产品属性 Product Features

表面处理: 光锁 Finish: NP	锁体: 电子锁体 501-M Lock body: 501-M
锁把手材质: 锌合金 Lever material: Zinc Alloy	适合门厚: 38-58mm Available door thickness: 38-58mm
锁面板材质: ABS塑料+锌合金 Lock strike plate material: ABS plastic +Zinc Alloy	钥匙: 3条白铜钥匙 Keys: 3 pcs of double beads white brass keys
感应技术:快速防冲机制,防数据干扰 Sensor technology: leakage and conflict prevention to avoid data interference	
特别提示: 右开门锁 锁面板分左右 锁体分左右内外 Special Notice: Lock-right open Lock plate classified: left and right Lock case options: Left inner open, left out open, right inner open, right out open.	

产品优缺点 Product Feature:

1.感应卡选用飞利浦原装进口芯片,开锁性能可靠稳定;2.优良的结构设计,精湛的铸造,提升产品防钻、防撬、抗破坏能力;3.外形简约,结合细致工艺,衬托出产品高档次和科技感含量;4.酒店锁的配套产品还有酒店管理软件、发卡器、感应卡(16种)、取电开关、电梯控制器。  
开发理由:根据市场调研,越来越多的设计师在设计酒店装修时使用分体的酒店锁,试产需求大。所以根据现有的酒店锁衍生设计一款分体酒店锁。

1. Sensor card adopts original imported Philips chip, which ensures the lock performance to be stable and reliable;2. The fine structure design and the exquisite casting, which improves its ability of anti-drilling, pry-proof and damage resistance;3. The contracted appearance combined with detailed process, foils this product's high grade and technology;4. The auxiliary products of the hotel lock are hotel management software, card device, sensor cards (16 kinds), power switch and elevator controller.  
Development reason: according to market research, more and more designers use separate hotel locks when in decorating. There's large demand from market, so we design a derivation in separate based on the existing hotel locks.

! 警示功能 ALARM FUNCTION

斜舌报警 低压报警  
Latch bolt alarm Low pressure alarm

• 管理功能 MANAGEMENT FUNCTION

十六种智能感应卡 酒店锁管理系统  
16 induction cards Hotel Lock management system

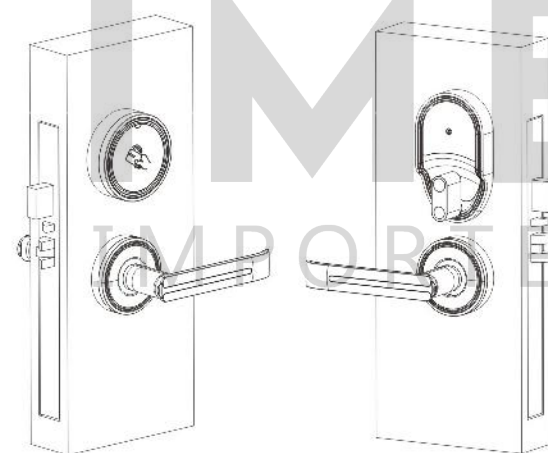
• 常规设置 (设置时钟、语言)  
General setup ( set the clock, language )

智能酒店锁 Intelligent Hotel Locks



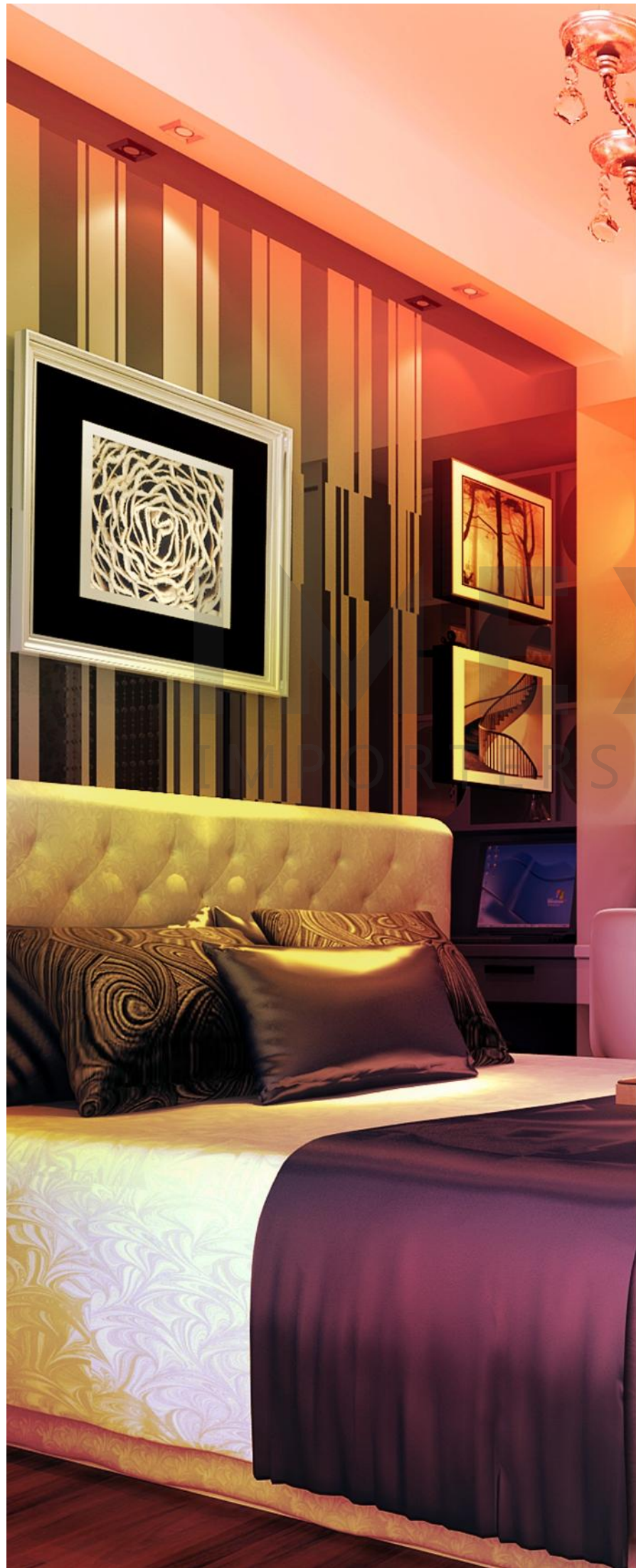
感应卡开锁  
Card lock

外观图:图例  
Appearance figure: drawing sample



正面轴测图  
Positive axonometric drawing

背面轴测图  
Opposite axonometric drawing



**YAZHI | 雅智**  
HZ-69502

动感优雅的设计风格  
刚健的线条投射出优美与时尚  
带来强烈的视觉冲击力  
外观源于劳斯莱斯双色定制型轿车  
设计理念新颖，有一种王者风范  
处处体现出超越同级的精致感和品质感

The design style of elegant feeling  
Beautiful and fashionable virile lines  
Bring a strong visual impact  
Appearance is the result of double color customization type Rolls-Royce cars  
The design is novel, there is a majestic demeanor  
Everywhere manifests the beyond sense of delicate feeling and quality at the same level

外观创意来源于劳斯莱斯双色定制型  
The appearance of ideas from Rolls-Royce double color custom type



劳斯莱斯  
Rolls-Royce



产品侧面  
The product side



产品正面  
Positive product

**HW-2 269-270**

1

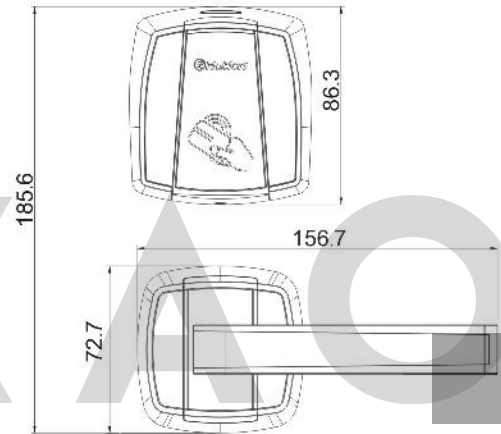
酒店锁系列 Hotel Lock series



ONE 智慧电子锁  
Intelligent Electronic Locks  
米兰世界博览会金牌战略合作伙伴  
STATEGIC PARTNER OF EXPO2015 MILANO

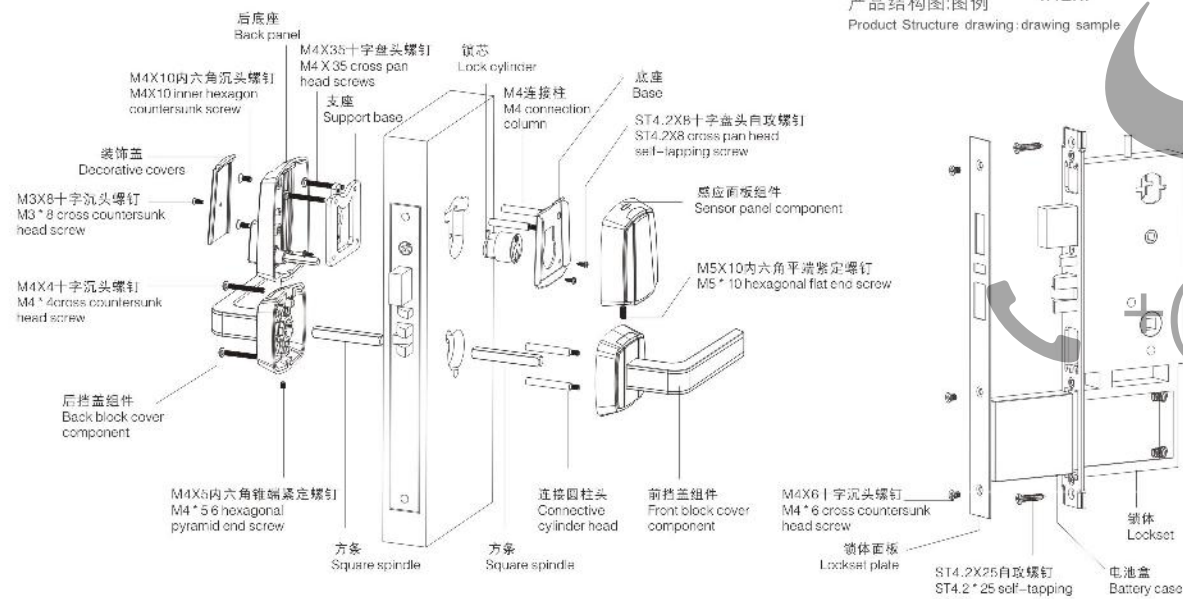


GP



HZ-69502 雅智 酒店锁

产品结构图:图例 YAZHI  
Product Structure drawing: drawing sample



二、配件图  
parts illustration

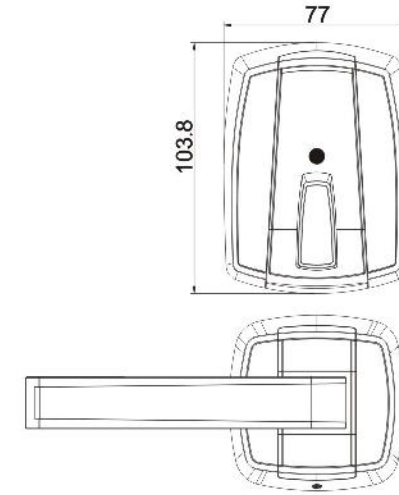
编号 NO	名称 description	图示 Diagram Form	数量 Quantity	编号 NO	名称 description	图示 Diagram Form	数量 Quantity	编号 NO	名称 description	图示 Diagram Form	数量 Quantity
01	前面板 Front panel		1	06	锁盒扣 Lock brooch		1	11	后面板 Back panel		1
02	锁体 Lock Body		1	07	连接圆柱头 Connective cylinder head		2	12	内六角圆头螺钉 Inner hexagonal round head screw		2
03	锁芯 Lock cylinder		1	08	不锈钢半沉头螺钉 Stainless steel countersunk raised head screw		2	13	十字沉头螺钉 Cross countersunk countersunk screw		4
04	大方条 Big square rod		2	09	内六角紧定螺钉 Inner hexagonal set screw		2	14	应急机械钥匙 Emergency mechanical key		3
05	挡板 Bezel		1	10	一字沉头不带锁紧钉 One-way countersunk starless head countersunk screw		1				

酒店锁系列 Hotel Lock series



1

ONE 智慧电子锁  
Intelligent Electronic Locks  
米兰世界博览会金牌战略合作伙伴  
STATEGIC PARTNER OF EXPO2015 MILANO



雅智 YAZHI  
HZ-69502 酒店锁 光金  
Hotel Lock GP

产品属性 Product Features

表面处理: 光金 Finish: GP	锁体: 电子锁体 501-M Lock body : 501-M
锁把手材质: 锌合金 Lever material: Zinc Alloy	适合门厚: 38-58mm Available door thickness: 38-58mm
锁面板材质: ABS塑料+锌合金 Lock strike plate material: ABS plastic +Zinc Alloy	钥匙: 3条白铜钥匙 Keys: 3 pcs of double beads white brass keys

感应技术:快速防冲机制, 防数据干扰  
Sensor technology: leakage and conflict prevention to avoid data interference

特别提示: 右开门锁 锁面板分左右 锁体分左右内外  
Lock-right open Lock plate classified: left and right Lock case options: Left inner open, left out open, right inner open, right out open.

产品优缺点 Product Feature:

1.感应卡选用飞利浦原装进口芯片, 开锁性能可靠稳定; 2.优良的结构设计, 精湛的铸造, 提升产品防钻、防撬、抗破坏能力; 3.外形简约, 结合细致工艺, 衬托出产品高档次和科技含量; 4.酒店锁的配套产品还有酒店管理软件、发卡器、感应卡(16种)、取电开关、电梯控制器。开发理由: 根据市场调研, 越来越多的设计师在设计酒店装修时使用分体的酒店锁, 试产需求大。所以根据现有的酒店锁衍生设计一款分体酒店锁。

1. Sensor card adopts original imported Philips chip, which ensures the lock performance to be stable and reliable; 2. The fine structure design and the exquisite casting, which improves its ability of anti-drilling, pry-proof and damage resistance; 3. The contracted appearance combined with detailed process, foils this product's high grade and technology; 4. The auxiliary products of the hotel lock are hotel management software, card device, sensor cards (16 kinds), power switch and elevator controller. Development reason: according to market research, more and more designers use separate hotel locks when in decorating. There's large demand from market, so we design a derivation in separate based on the existing hotel locks.

! 警示功能 ALARM FUNCTION

- 斜舌报警 Latch bolt alarm
- 低压报警 Low pressure alarm

• 管理功能 MANAGEMENT FUNCTION

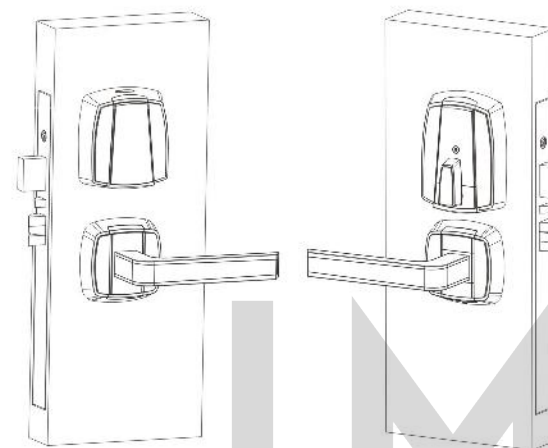
- 十六种智能感应卡 16 induction cards
- 酒店锁管理系统 Hotel Lock management system

• 常规设置 (设置时钟、语言)  
General setup ( set the clock, language )

智能酒店锁 Intelligent Hotel Locks

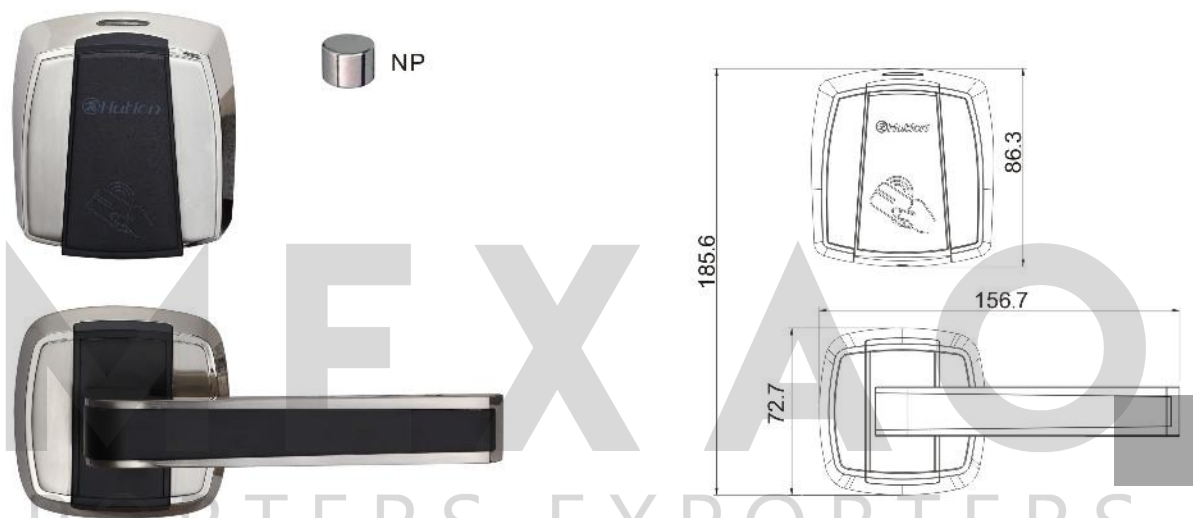


感应卡开锁  
Card lock



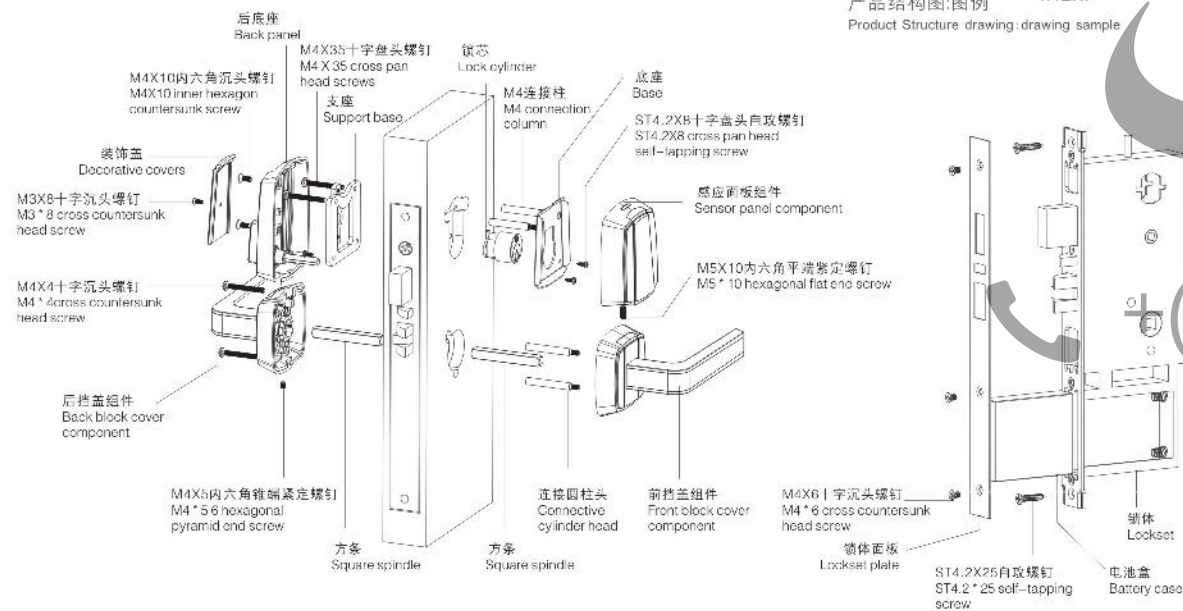
正面轴测图  
Positive axonometric drawing

背面轴测图  
Opposite axonometric drawing



HZ-69502 雅智 酒店锁

产品结构图:图例 YAZHI  
Product Structure drawing: drawing sample



二、配件图  
parts illustration

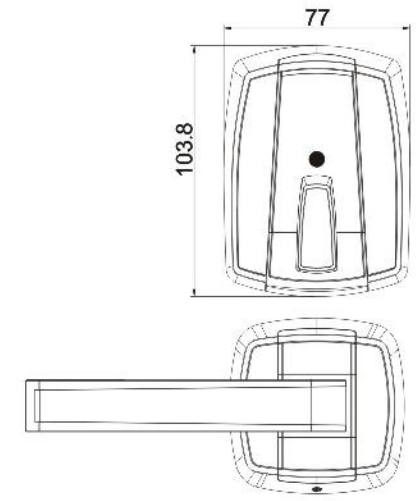
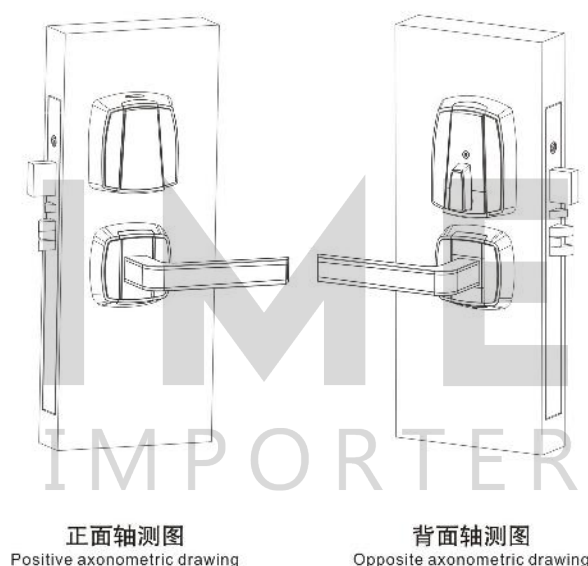
编号 NO	名称 description	图示 Diagram Form	数量 Quantity	编号 NO	名称 description	图示 Diagram Form	数量 Quantity	编号 NO	名称 description	图示 Diagram Form	数量 Quantity
01	前面板 Front panel		1	06	锁盒扣 Lock broses		1	11	后面板 Back panel		1
02	锁体 Lock Body		1	07	连接圆柱头 Connective cylinder head		2	12	内六角圆头螺丝钉 Inner hexagonal round head screw		2
03	锁芯 Lock cylinder		1	08	不锈钢半沉头螺丝钉 Stainless steel semi-convex raised head screws		2	13	十字沉头螺丝钉 Cross recessed countersunk screw		4
04	大方条 Big square rod		2	09	内六角圆头螺丝钉 Inner hexagonal round head screw		2	14	应急机械钥匙 key lock		3
05	挡板 Bezel		1	10	一字沉头半圆螺帽 Cross countersunk starless head countersunk screw		1				

IMPORTERS EXPORTERS

(86) 186-8880-7020



外观图:图例  
Appearance figure: drawing sample



雅智 YA ZHI  
HZ-69502 酒店锁 光锁  
NP

产品属性	Product Features
表面处理: 光锁 Finish: NP	锁体: 电子锁体 501-M Lock body: 501-M
锁把手材质: 锌合金 Lever material: Zinc Alloy	适合门厚: 38-58mm Available door thickness: 38-58mm
锁面板材质: ABS塑料+锌合金 Lock strike plate material: ABS plastic +Zinc Alloy	钥匙: 3条白铜钥匙 Keys: 3 pcs of double beads white brass keys
感应技术:快速防冲冲突机制, 防数据干扰 Sensor technology: leakage and conflict prevention to avoid data interference	
特别提示: 右开内门锁 锁面板分左右 锁体分左右内外 Lock-right open Lock plate classified: left and right Lock case options: Left inner open, left out open, right inner open, right out open.	

●产品优缺点 Product Feature:  
1.感应卡选用飞利浦原装进口芯片, 开锁性能可靠稳定; 2.优良的结构设计, 精湛的铸造, 提升产品防钻、防撬、抗破坏能力; 3.外形简约, 结合细致工艺, 衬托出产品高档次和科技含量; 4.酒店锁的配套产品还有酒店管理软件、发卡器、感应卡(16种)、取电开关、电梯控制器。  
开发理由: 根据市场调研, 越来越多的设计师在设计酒店装修时使用分体的酒店锁, 试产需求大。所以根据现有的酒店锁衍生设计一款分体酒店锁。

1. Sensor card adopts original imported Philips chip, which ensures the lock performance to be stable and reliable; 2. The fine structure design and the exquisite casting, which improves its ability of anti-drilling, pry-proof and damage resistance; 3. The contracted appearance combined with detailed process, foils this product's high grade and technology; 4. The auxiliary products of the hotel lock are hotel management software, card device, sensor cards (16 kinds), power switch and elevator controller.  
Development reason: according to market research, more and more designers use separate hotel locks when in decorating. There's large demand from market, so we design a derivation in separate based on the existing hotel locks.

! 警示功能 ALARM FUNCTION

- 锁舌报警 Latch bolt alarm
- 低压报警 Low pressure alarm

●管理功能 MANAGEMENT FUNCTION

- 十六种智能感应卡 16 induction cards
- 酒店锁管理系统 Hotel Lock management system

●常规设置 (设置时钟、语言)  
General setup ( set the clock, language )

智能酒店锁, Intelligent Hotel Locks



感应卡开锁  
Card lock

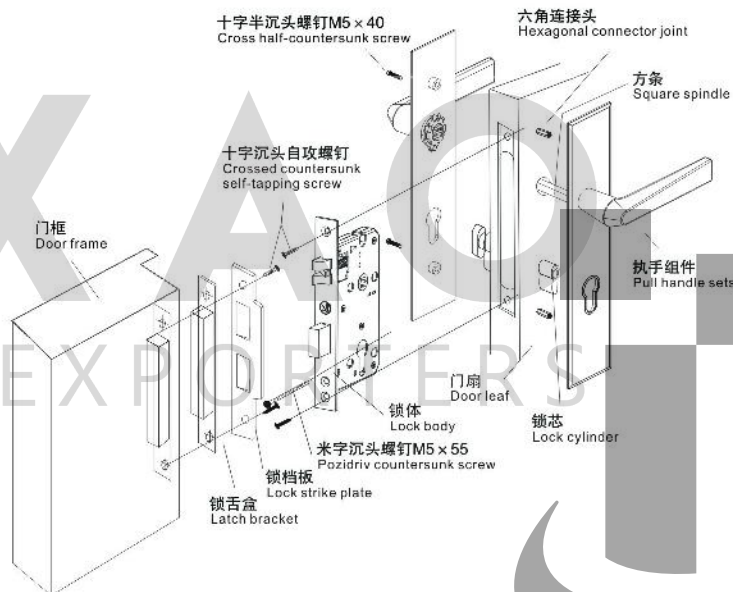
2

TWO 仁德门牌  
Lock Hardware  
米兰世界博覽會品牌戰略合作伙伴  
STRATEGIC PARTNER OF EXPO2015 MILANO



HD-67831 大门锁 PVD金  
Gate Door Lock (PVD Gold)

产品结构图:图例  
Product Structure drawing: drawing sample



PVD Gold

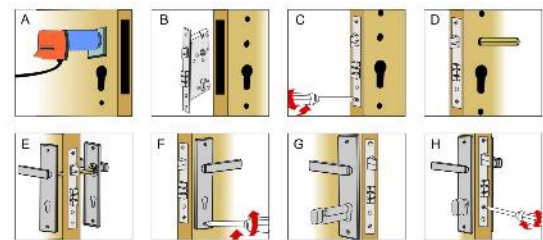
产品属性 Product Features	
表面处理: PVD金 Finish: PVD Gold	钥匙: 5条带蛇形槽防盗钥匙 Keys: 5 with snake-like groove anti-theft key
锁把手材质: SUS304不锈钢 Lever material: Stainless Steel SUS304	锁面板中心孔距: 85mm Keys: 85mm
锁面板材质: SUS304 Lock strike plate material: Stainless Steel SUS304	适合门厚: 40-55mm Available door thickness: 40-55mm
锁体: HD-85-50E Lock body: HD-85-50E	适合范围: 各种木质门扇 Available for: All kinds of wooden door leaves
锁芯: HD-85-65B Lock Cylinder: HD-85-65B	特点: 互开率低噪音小, 开启轻巧灵活。 Features: Low interopening; Silent and easy opening

大门锁安装步骤:

1. 确保斜舌斜面与关门方向一致, 当需要调整锁体开门方向时, 向上拨开斜舌换片, 将斜舌推进锁体后, 旋转180°, 根据安装线画线开孔(如下图: A)。
2. 将锁体放入孔; 预紧衬板螺钉(如下图: B-C)。
3. 将方杆穿过门板插入锁体(如下图: D)。
4. 安装内外面板, 使把手转动顺畅; 拧紧螺钉(如下图: E-F)。
5. 插入锁芯, 使钥匙及旋钮转动顺畅(如下图: G)。
6. 拧紧螺钉, 安装扣板及扣盒, 对齐锁体, 应使锁舌与之配合顺畅, 拧紧螺钉(如下图: H)。

Gate lock installation steps:

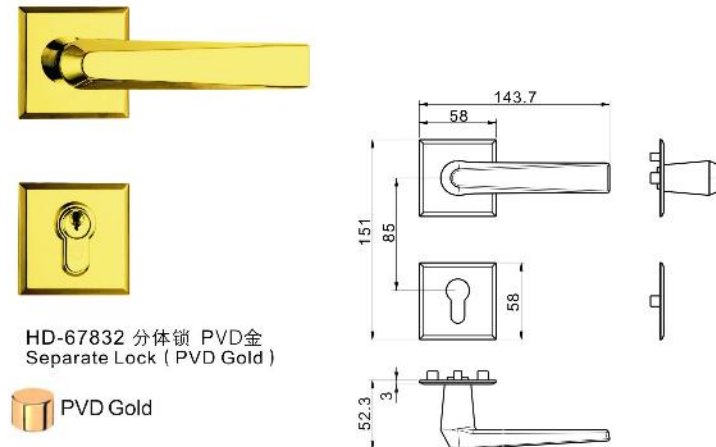
1. Make sure the incline of the tongue go with the closing direction. When it is necessary to adjust the opening direction of the lock, remove the commutator bar of the inclined tongue, and push the tongue into the lock, rotate 180°. Draw lines and make holes according to the installation specification. (As the picture: A)
2. Place the lock into the hole. Pre-fix the screws of the back veneer. (As the picture: B-C)
3. Insert the square bar through the door and into the lock. (As the picture: D)
4. Install the inner and outer plates, making handle run smoothly. Screw down the screws. (As the picture: E-F)
5. Insert the lock cylinder, making the key and knob run smoothly. (As the picture: G)
6. Screw down the screws, install the gusset plate and gusset box, make them parallel to the lock and match the lock tongue. Fix the screws. (As the picture: H)



提示: 为保护产品外观和功能, 安装门锁前请将手洗净或带上干净的布料类作业手套。装修门扇时, 特别是门扇如漆上油漆, 请将已装好的门锁卸下, 待装修完毕后再装上。  
Attention: In order to protect the lock's surface and function, please wash your hands or wear working gloves when install it. If decorated doors, please take off the lock first, after that, put on it again.

2

TWO 仁德门牌  
Lock Hardware  
米兰世界博覽會品牌戰略合作伙伴  
STRATEGIC PARTNER OF EXPO2015 MILANO

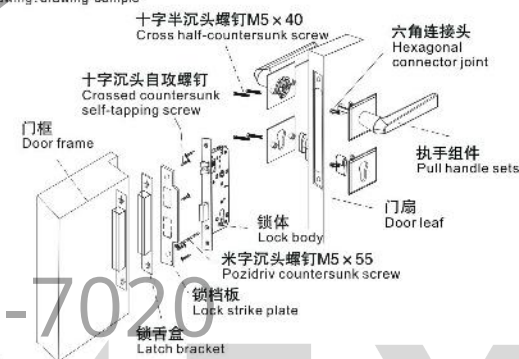


HD-67832 分体锁 PVD金  
Separate Lock (PVD Gold)

PVD Gold

产品属性 Product Features	
表面处理: PVD金 Finish: PVD Gold	钥匙: 5条带蛇形槽防盗钥匙 Keys: 5 with snake-like groove anti-theft key
锁把手材质: SUS304不锈钢 Lever material: Stainless Steel SUS304	适合门厚: 40-55mm Available door thickness: 40-55mm
锁面板材质: SUS304不锈钢 Lock strike plate material: Stainless Steel SUS304	适合范围: 各种木质门扇 Available for: All kinds of wooden door leaves
锁体: HD-85-50E Lock body: HD-85-50E	特点: 互开率低噪音小, 开启轻巧灵活。 Features: Low interopening; Silent and easy opening
锁芯: HD-85-65B Lock Cylinder: HD-85-65B	

产品结构图:图例  
Product Structure drawing: drawing sample

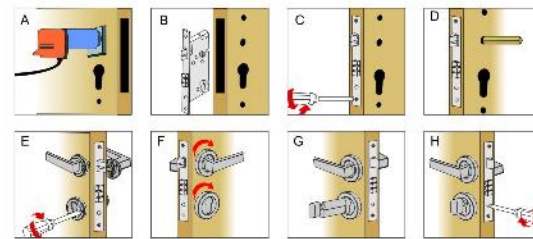


分体锁安装步骤:

1. 确保斜舌斜面与关门方向一致, 当需要调整锁体开门方向时, 向上拨开斜舌换片, 将斜舌推进锁体后, 旋转180°, 根据安装线画线开孔(如下图: A)。
2. 将锁体放入孔; 预紧衬板螺钉, 分别从锁体和执手圆上拆出外盖; 将方杆穿过门板插入锁体(如下图: B-D)。
3. 安装内外执手圆圈, 使把手转动顺畅, 拧紧螺钉, 安装内外锁圈, 插入锁芯(如下图: E-G)。
4. 使钥匙及旋钮转动顺畅, 拧紧螺钉, 安装扣板及扣盒, 对齐锁体, 应使锁舌与之配合顺畅, 拧紧螺钉(如下图: H)。

Separator-lock installation steps:

1. Make sure the incline of the tongue go with the closing direction. When it is necessary to adjust the opening direction of the lock, remove the commutator bar of the inclined tongue, and push the tongue into the lock, rotate 180°. Draw lines and make holes according to the installation specification. (As the picture: A)
2. Place the lock into the hole. Pre-fix the screws of the back veneer. (Remove the cover from the locking collar and handle collar. Insert the square bar through the door and into the lock. (As the picture: B-D)
3. Install the inner and outer parts of the handle collar. Make the handle run smoothly, and fix the screws. Install the inner and outer locking collar. (As the picture: E-G)
4. Insert the lock cylinder. Make the key and knob run smoothly. Fix the screws. Install the gusset plate and gusset box, make them parallel to the lock and match the lock tongue. Fix the screws. (As the picture: H)

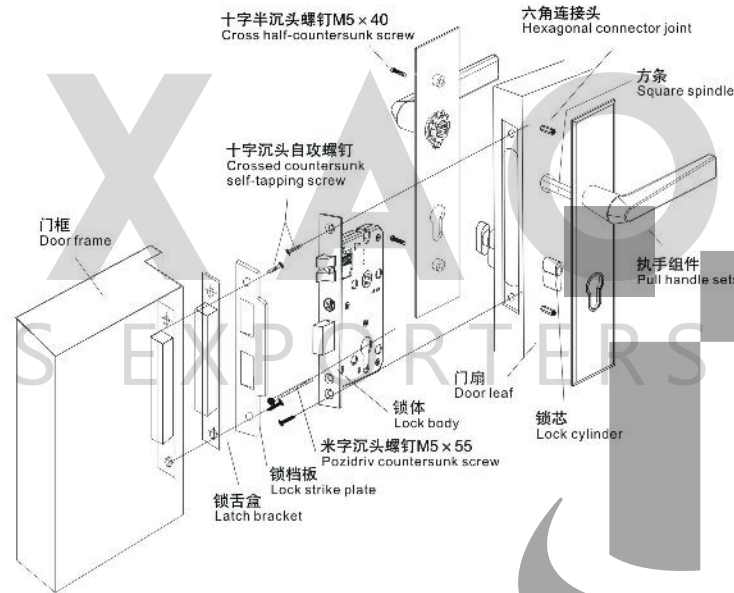


提示: 为保护产品外观和功能, 安装门锁前请将手洗净或带上干净的布料类作业手套。装修门扇时, 特别是门扇如漆上油漆, 请将已装好的门锁卸下, 待装修完毕后再装上。  
Attention: In order to protect the lock's surface and function, please wash your hands or wear working gloves when install it. If decorated doors, please take off the lock first, after that, put on it again.



HD-67831 大门锁 光铬  
Gate Door Lock (CP)

产品结构图:图例  
Product Structure drawing: drawing sample



CP

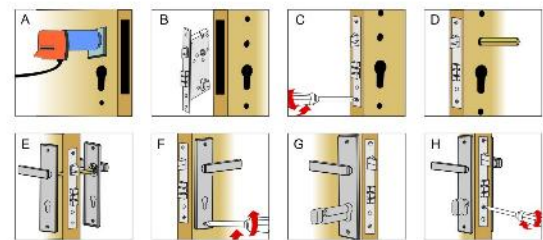
产品属性 Product Features	
表面处理: 光铬 Finish: CP	钥匙: 5条带蛇形槽防盗钥匙 Keys: 5 with snake-like groove anti-theft key
锁把手材质: SUS304不锈钢 Lever material: Stainless Steel SUS304	锁舌板中心孔距: 85mm Keys: 85mm
锁置板材质: SUS304 Lock strike plate material: Stainless Steel SUS304	适合门厚: 40-55mm Available door thickness: 40-55mm
锁体: HD-85-50E Lock body: HD-85-50E	适合范围: 各种木质门扇 Available for: All kinds of wooden door leaves
锁芯: HD-85-65B Lock Cylinder: HD-85-65B	特点: 互开率低噪音小、开启轻巧灵活。 Features: Low interopening; Silent and easy opening

**大门锁安装步骤:**

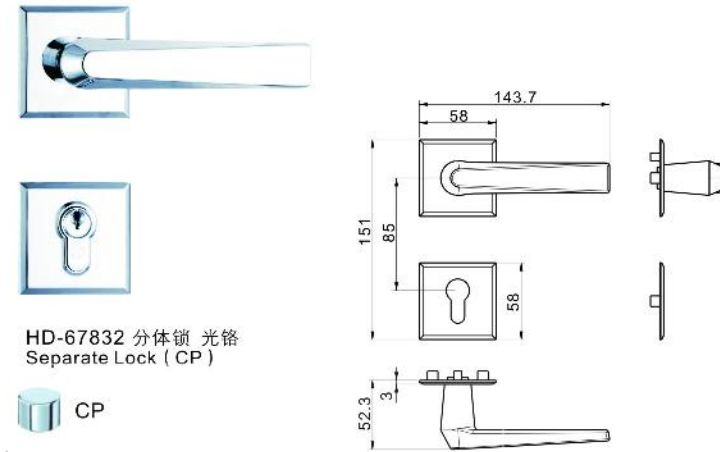
1. 确保斜舌斜面与关门方向一致, 当需要调整锁体开门方向时, 向上拨开斜舌换向片, 将斜舌推入锁体后, 旋转180°, 根据安装线画线开孔(如下图: A)。
2. 将锁体放入孔; 预紧衬板螺钉(如下图: B-C)。
3. 将方杆穿过门板插入锁体(如下图: D)。
4. 安装内外面板, 使把手转动顺畅; 拧紧螺钉(如下图: E-F)。
5. 插入锁芯, 使钥匙及旋钮转动顺畅(如下图: G)。
6. 拧紧螺钉, 安装扣板及扣盒, 对齐锁体, 应使锁舌与之配合顺畅, 拧紧螺钉(如下图: H)。

**Gate lock installation steps:**

1. Make sure the incline of the tongue go with the closing direction. When it is necessary to adjust the opening direction of the lock, remove the commutator bar of the inclined tongue, and push the tongue into the lock, rotate 180°. Draw lines and make holes according to the installation specification. (As the picture: A)
2. Place the lock into the hole. Pre-fix the screws of the back veneer. (As the picture: B-C)
3. Insert the square bar through the door and into the lock. (As the picture: D)
4. Install the inner and outer plates, making handle run smoothly. Screw down the screws. (As the picture: E-F)
5. Insert the lock cylinder, making the key and knob run smoothly. (As the picture: G)
6. Screw down the screws, install the gusset plate and gusset box, make them parallel to the lock and match the lock tongue. Fix the screws. (As the picture: H)



提示: 为保护产品外观和功能, 安装门锁前请将手洗净或戴上干净的布料类作业手套。装修门扇时, 特别是门扇如漆上油漆, 请将已装好的门锁卸下, 待装修完毕后再装上。  
Attention: In order to protect the lock's surface and function, please wash your hands or wear working gloves when install it. If decorated doors, please take off the lock first, after that, put on it again.

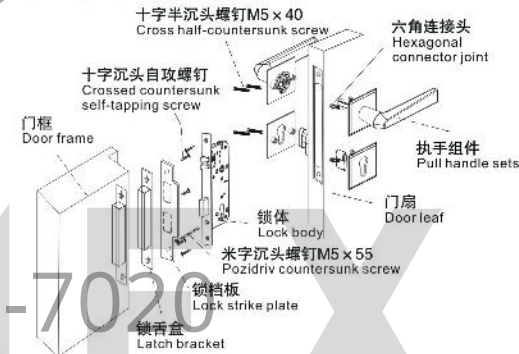


HD-67832 分体锁 光铬  
Separate Lock (CP)

CP

产品属性 Product Features	
表面处理: 光铬 Finish: CP	钥匙: 5条带蛇形槽防盗钥匙 Keys: 5 with snake-like groove anti-theft key
锁把手材质: SUS304不锈钢 Lever material: Stainless Steel SUS304	适合门厚: 40-55mm Available door thickness: 40-55mm
锁置板材质: SUS304不锈钢 Lock strike plate material: Stainless Steel SUS304	适合范围: 各种木质门扇 Available for: All kinds of wooden door leaves
锁体: HD-85-50E Lock body: HD-85-50E	特点: 互开率低噪音小、开启轻巧灵活。 Features: Low interopening; Silent and easy opening
锁芯: HD-85-65B Lock Cylinder: HD-85-65B	

产品结构图:图例  
Product Structure drawing: drawing sample

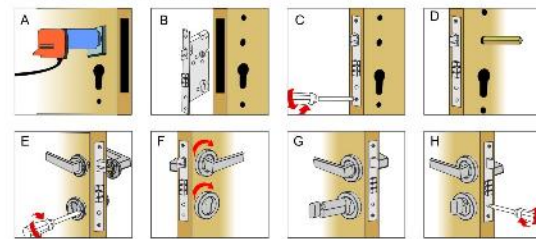


**分体锁安装步骤:**

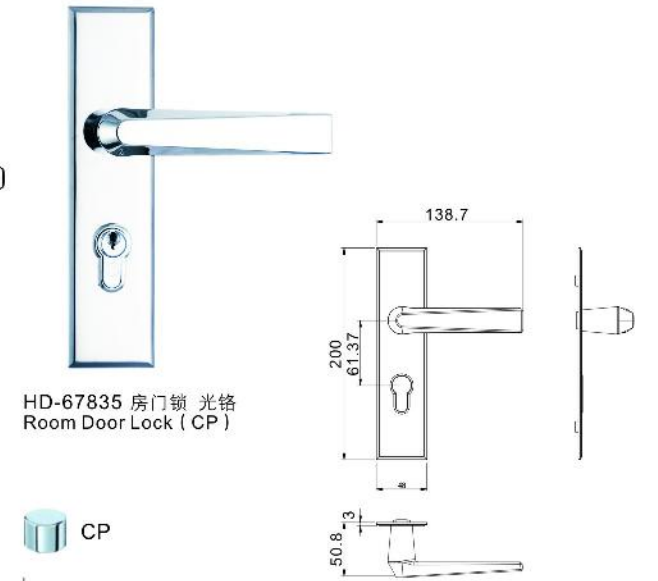
1. 确保斜舌斜面与关门方向一致, 当需要调整锁体开门方向时, 向上拨开斜舌换向片, 将斜舌推入锁体后, 旋转180°, 根据安装线画线开孔(如下图: A)。
2. 将锁体放入孔; 预紧衬板螺钉, 分别从锁体和执手圆上拆出外盖; 将方杆穿过门板插入锁体(如下图: B-D)。
3. 安装内外执手圆圈, 使把手转动顺畅, 拧紧螺钉, 安装内外执手圈, 插入锁芯(如下图: E-G)。
4. 使钥匙及旋钮转动顺畅, 拧紧螺钉, 安装扣板及扣盒, 对齐锁体, 应使锁舌与之配合顺畅, 拧紧螺钉(如下图: H)。

**Separator-lock Installation steps:**

1. Make sure the incline of the tongue go with the closing direction. When it is necessary to adjust the opening direction of the lock, remove the commutator bar of the inclined tongue, and push the tongue into the lock, rotate 180°. Draw lines and make holes according to the installation specification. (As the picture: A)
2. Place the lock into the hole. Pre-fix the screws of the back veneer. Remove the cover from the locking collar and handle collar. Insert the square bar through the door and into the lock. (As the picture: B-D)
3. Install the inner and outer parts of the handle collar. Make the handle run smoothly, and fix the screws. Install the inner and outer locking collar. (As the picture: E-G)
4. Insert the lock cylinder. Make the key and knob run smoothly. Fix the screws. Install the gusset plate and gusset box, make them parallel to the lock and match the lock tongue. Fix the screws. (As the picture: H)



提示: 为保护产品外观和功能, 安装门锁前请将手洗净或戴上干净的布料类作业手套。装修门扇时, 特别是门扇如漆上油漆, 请将已装好的门锁卸下, 待装修完毕后再装上。  
Attention: In order to protect the lock's surface and function, please wash your hands or wear working gloves when install it. If decorated doors, please take off the lock first, after that, put on it again.

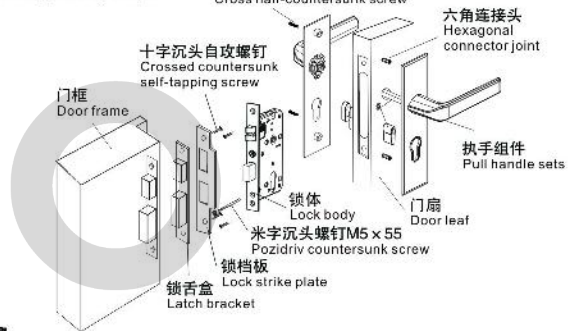


HD-67835 房门锁 光铬  
Room Door Lock (CP)

CP

产品属性 Product Features	
表面处理: 光铬 Finish: CP	钥匙: 5条带蛇形槽防盗钥匙 Keys: 5 with snake-like groove anti-theft key
锁把手材质: SUS304不锈钢 Lever material: Stainless Steel SUS304	锁置板中心孔距: 62mm Keys: 62mm
锁置板材质: SUS304 Lock strike plate material: Stainless Steel SUS304	适合门厚: 40-55mm Available door thickness: 40-55mm
锁体: HD-62-50E Lock body: HD-62-50E	适合范围: 各种木质门扇 Available for: All kinds of wooden door leaves
锁芯: HD-85-65B Lock Cylinder: HD-85-65B	特点: 互开率低噪音小、开启轻巧灵活。 Features: Low interopening; Silent and easy opening

产品结构图:图例  
Product Structure drawing: drawing sample

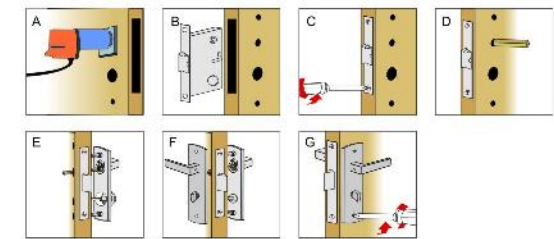


**日式锁安装步骤:**

1. 确保斜舌斜面与关门方向一致, 根据安装线画线开孔(如下图: A)。
2. 将锁体放入孔; 预紧衬板螺钉; 将方杆穿过门板插入锁体(如下图: B-D)。
3. 安装内外面板, 预紧面板螺钉使钥匙及旋钮转动顺畅(如下图: E)。
4. 将执手套入方杆, 使把手转动顺畅(如下图: F)。
5. 预紧执手螺钉, 安装扣板及扣盒, 对齐锁体, 应使锁舌与之配合顺畅, 拧紧螺钉(如下图: G)。

**Japanese style lock Installation steps:**

1. Make sure the incline of the tongue go with the closing direction. Draw lines and make holes according to the installation specification. (As the picture: A)
2. Place the lock into the hole. Pre-fix the screws of the back veneer. Insert the square bar through the door and into the lock. (As the picture: B-D)
3. Install the inner and outer plates. Pre-fix the screw of inner plates, making the key and knob run smoothly. (As the picture: E)
4. Insert the handle, making handle run smoothly. (As the picture: F)
5. Pre-fix the screw of handle, install the gusset plate and gusset box, make them parallel to the lock and match the lock tongue. Fix the screws. (As the picture: G)





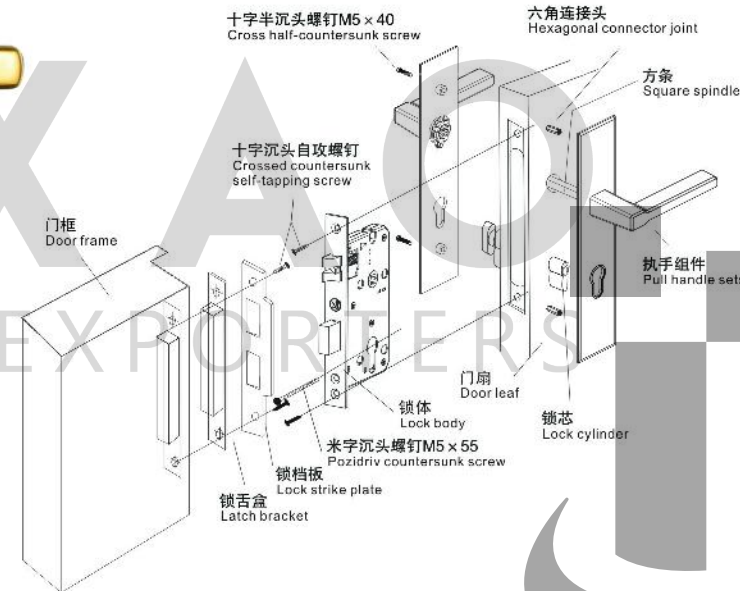
2

TWO 仁德五金  
Lock Hardware  
米兰世界博覽會 品牌展銷合作伙  
STRATEGIC PARTNER OF EXPO2015 MILANO



HD-67841 大门锁 PVD金  
Gate Door Lock (PVD Gold)

产品结构图:图例  
Product Structure drawing: drawing sample



PVD Gold

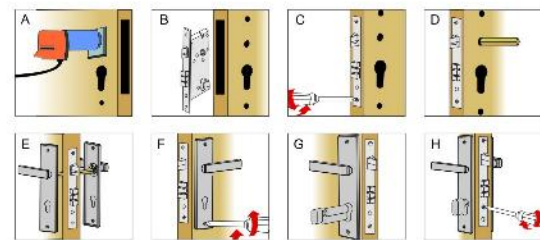
产品属性 Product Features	
表面处理: PVD金 Finish: PVD Gold	钥匙: 5条带蛇形槽防盗钥匙 Keys: 5 with snake-like groove anti-theft key
锁把手材质: SUS304不锈钢 Lever material: Stainless Steel SUS304	锁舌板中心孔距: 85mm Keys: 85mm
锁舌板材质: SUS304 Lock strike plate material: Stainless Steel SUS304	适合门厚: 40-55mm Available door thickness: 40-55mm
锁体: HD-85-50E Lock body: HD-85-50E	适合范围: 各种木质门扇 Available for: All kinds of wooden door leaves
锁芯: HD-85-65B Lock Cylinder: HD-85-65B	特点: 互开率低噪音小、开启轻巧灵活。 Features: Low interopening; Silent and easy opening

**大门锁安装步骤:**

1. 确保斜舌斜面与关门方向一致, 当需要调整锁体开门方向时, 向上拨开斜舌换向片, 将斜舌推入锁体后, 旋转180°, 根据安装纸线画线开孔(如下图: A)。
2. 将锁体放入孔; 预紧衬板螺钉(如下图: B-C)。
3. 将方杆穿过门板插入锁体(如下图: D)。
4. 安装内外面板, 使把手转动顺畅; 拧紧螺钉(如下图: E-F)。
5. 插入锁芯, 使钥匙及旋钮转动顺畅(如下图: G)。
6. 拧紧螺钉, 安装扣板及扣盒, 对齐锁体, 应使锁舌与之配合顺畅, 拧紧螺钉(如下图: H)。

**Gate lock installation steps:**

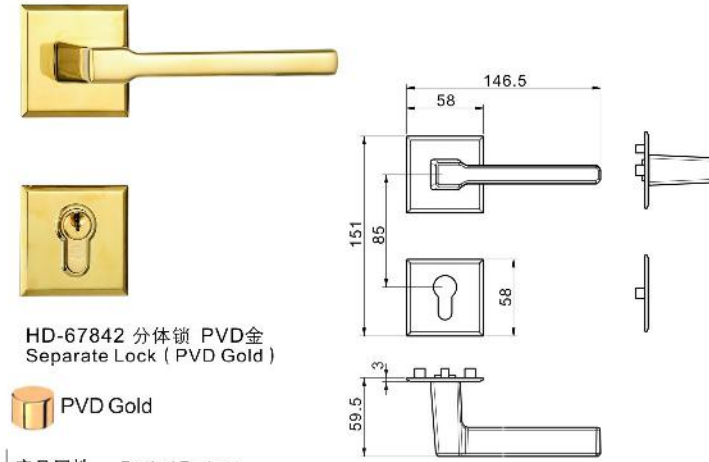
1. Make sure the incline of the tongue go with the closing direction. When it is necessary to adjust the opening direction of the lock, remove the commutator bar of the inclined tongue, and push the tongue into the lock, rotate 180°. Draw lines and make holes according to the installation specification. (As the picture: A)
2. Place the lock into the hole. Pre-fix the screws of the back veneer. (As the picture: B-C)
3. Insert the square bar through the door and into the lock. (As the picture: D)
4. Install the inner and outer plates, making handle run smoothly. Screw down the screws. (As the picture: E-F)
5. Insert the lock cylinder, making the key and knob run smoothly. (As the picture: G)
6. Screw down the screws, install the gusset plate and gusset box, make them parallel to the lock and match the lock tongue. Fix the screws. (As the picture: H)



提示: 为保护产品外观和功能, 安装门锁前请将手洗净或带上干净的布料类作业手套。装修门扇时, 特别是门扇如漆上油漆, 请将已装好的门锁卸下, 待装修完毕后再装上。  
Attention: In order to protect the lock's surface and function, please wash your hands or wear working gloves when install it. If decorated doors, please take off the lock first, after that, put on it again.

2

TWO 仁德五金  
Lock Hardware  
米兰世界博覽會 品牌展銷合作伙  
STRATEGIC PARTNER OF EXPO2015 MILANO

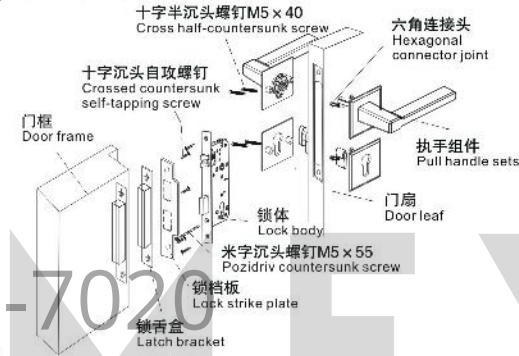


HD-67842 分体锁 PVD金  
Separate Lock (PVD Gold)

PVD Gold

产品属性 Product Features	
表面处理: PVD金 Finish: PVD Gold	钥匙: 5条带蛇形槽防盗钥匙 Keys: 5 with snake-like groove anti-theft key
锁把手材质: SUS304不锈钢 Lever material: Stainless Steel SUS304	适合门厚: 40-55mm Available door thickness: 40-55mm
锁舌板材质: SUS304 Lock strike plate material: Stainless Steel SUS304	适合范围: 各种木质门扇 Available for: All kinds of wooden door leaves
锁体: HD-85-50E Lock body: HD-85-50E	特点: 互开率低噪音小、开启轻巧灵活。 Features: Low interopening; Silent and easy opening
锁芯: HD-85-65B Lock Cylinder: HD-85-65B	

产品结构图:图例  
Product Structure drawing: drawing sample

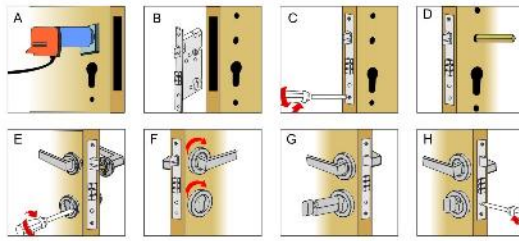


**分体锁安装步骤:**

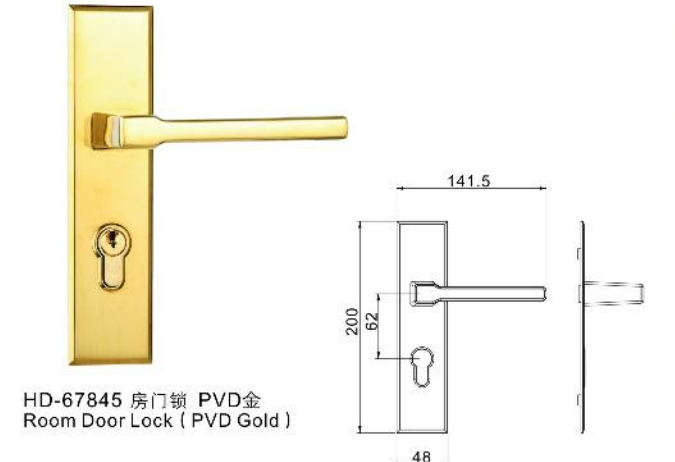
1. 确保斜舌斜面与关门方向一致, 当需要调整锁体开门方向时, 向上拨开斜舌换向片, 将斜舌推入锁体后, 旋转180°, 根据安装纸线画线开孔(如下图: A)。
2. 将锁体放入孔; 预紧衬板螺钉, 分别从锁体和执手圆上拆出外盖; 将方杆穿过门板插入锁体(如下图: B-D)。
3. 安装内外执手圆圈, 使把手转动顺畅, 拧紧螺钉, 安装内外锁圈, 插入锁芯(如下图: E-G)。
4. 使钥匙及旋钮转动顺畅, 拧紧螺钉, 安装扣板及扣盒, 对齐锁体, 应使锁舌与之配合顺畅, 拧紧螺钉(如下图: H)。

**Separator-lock Installation steps:**

1. Make sure the incline of the tongue go with the closing direction. When it is necessary to adjust the opening direction of the lock, rotate 180°. Draw lines and make holes according to the installation specification. (As the picture: A)
2. Place the lock into the hole. Pre-fix the screws of the back veneer. Remove the cover from the locking collar and handle collar. Insert the square bar through the door and into the lock. (As the picture: B-D)
3. Install the inner and outer parts of the handle collar. Make the handle run smoothly, and fix the screws. Install the inner and outer locking collar. (As the picture: E-G)
4. Insert the lock cylinder. Make the key and knob run smoothly. Fix the screws. Install the gusset plate and gusset box, make them parallel to the lock and match the lock tongue. Fix the screws. (As the picture: H)



提示: 为保护产品外观和功能, 安装门锁前请将手洗净或带上干净的布料类作业手套。装修门扇时, 特别是门扇如漆上油漆, 请将已装好的门锁卸下, 待装修完毕后再装上。  
Attention: In order to protect the lock's surface and function, please wash your hands or wear working gloves when install it. If decorated doors, please take off the lock first, after that, put on it again.

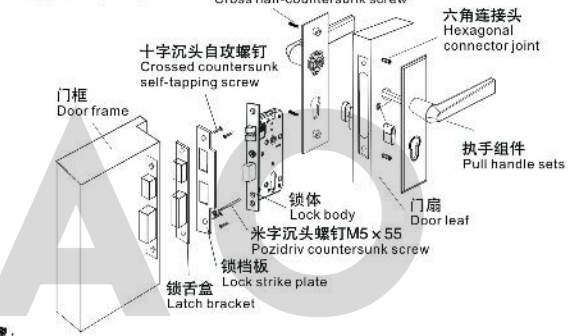


HD-67845 房门锁 PVD金  
Room Door Lock (PVD Gold)

PVD Gold

产品属性 Product Features	
表面处理: PVD金 Finish: PVD Gold	钥匙: 5条带蛇形槽防盗钥匙 Keys: 5 with snake-like groove anti-theft key
锁把手材质: SUS304不锈钢 Lever material: Stainless Steel SUS304	锁舌板中心孔距: 62mm Keys: 62mm
锁舌板材质: SUS304 Lock strike plate material: Stainless Steel SUS304	适合门厚: 40-55mm Available door thickness: 40-55mm
锁体: HD-62-50E Lock body: HD-62-50E	适合范围: 各种木质门扇 Available for: All kinds of wooden door leaves
锁芯: HD-85-65B Lock Cylinder: HD-85-65B	特点: 互开率低噪音小、开启轻巧灵活。 Features: Low interopening; Silent and easy opening

产品结构图:图例  
Product Structure drawing: drawing sample

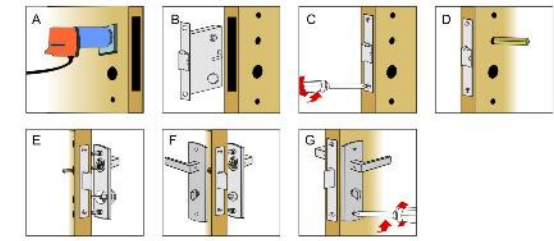


**日式锁安装步骤:**

1. 确保斜舌斜面与关门方向一致, 根据安装纸线画线开孔(如下图: A)。
2. 将锁体放入孔; 预紧衬板螺钉; 将方杆穿过门板插入锁体(如下图: B-D)。
3. 安装内外面板, 预紧面板螺钉, 使钥匙及旋钮转动顺畅(如下图: E)。
4. 将执手套入方件, 使把手转动顺畅(如下图: F)。
5. 预紧执手螺钉, 安装扣板及扣盒, 对齐锁体, 应使锁舌与之配合顺畅, 拧紧螺钉(如下图: G)。

**Japanese style lock Installation steps:**

1. Make sure the incline of the tongue go with the closing direction. Draw lines and make holes according to the installation specification. (As the picture: A)
2. Place the lock into the hole. Pre-fix the screws of the back veneer. Insert the square bar through the door and into the lock. (As the picture: B-D)
3. Install the inner and outer plates. Pre-fix the screw of inner plates, making the key and knob run smoothly. (As the picture: E)
4. Insert the handle. Making handle run smoothly. (As the picture: F)
5. Pre-fix the screw of handle, install the gusset plate and gusset box, make them parallel to the lock and match the lock tongue. Fix the screws. (As the picture: G)



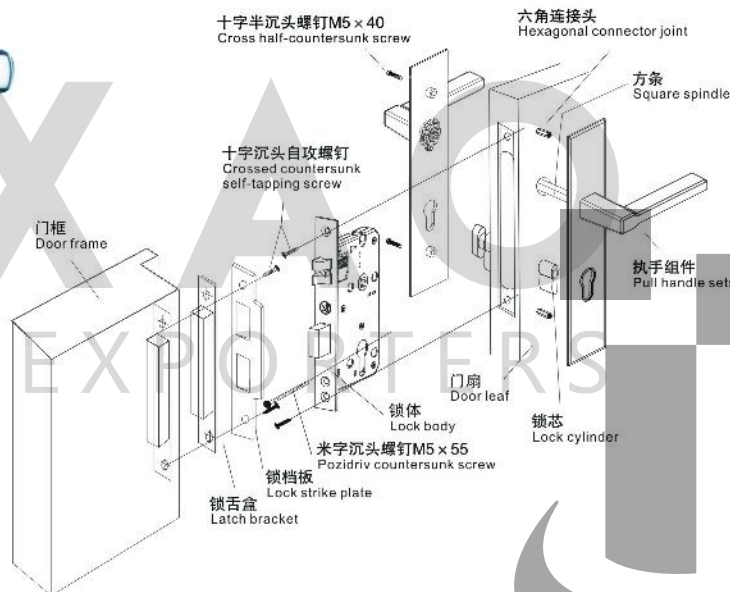
2

TWO 仁德门业  
Lock Hardware  
米兰世界博覽會品牌戰略合作夥伴  
STRATEGIC PARTNER OF EXPO2015 MILANO



HD-67841 大门锁 光铬  
Gate Door Lock (CP)

产品结构图:图例  
Product Structure drawing: drawing sample



CP

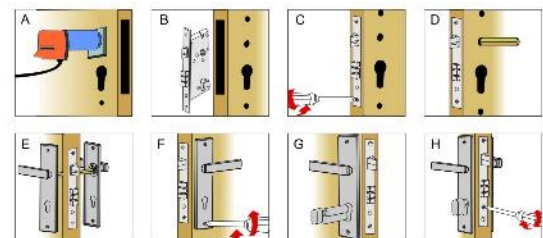
产品属性 Product Features	
表面处理: 光铬 Finish: CP	钥匙: 5条带蛇形槽防盗钥匙 Keys: 5 with snake-like groove anti-theft key
锁把手材质: SUS304不锈钢 Lever material: Stainless Steel SUS304	锁舌板中心孔距: 85mm Keys: 85mm
锁舌板材质: SUS304 Lock strike plate material: Stainless Steel SUS304	适合门厚: 40-52mm Available door thickness: 40-52mm
锁体: HD-85-50E Lock body: HD-85-50E	适合范围: 各种木质门扇 Available for: All kinds of wooden door leaves
锁芯: HD-85-65B Lock Cylinder: HD-85-65B	特点: 互开率低噪音小、开启轻巧灵活。 Features: Low interopening; Silent and easy opening

**大门锁安装步骤:**

1. 确保斜舌斜面与关门方向一致, 当需要调整锁体开门方向时, 向上拨开斜舌换片, 将斜舌推入锁体后, 旋转180°, 根据安装纸规划线开孔(如下图: A)。
2. 将锁体放入孔; 预紧衬板螺钉(如下图: B-C)。
3. 将方杆穿过门板插入锁体(如下图: D)。
4. 安装内外面板, 使把手转动顺畅; 拧紧螺钉(如下图: E-F)。
5. 插入锁芯, 使钥匙及旋钮转动顺畅(如下图: G)。
6. 拧紧螺钉, 安装扣板及扣盒, 对齐锁体, 应使锁舌与之配合顺畅, 拧紧螺钉(如下图: H)。

**Gate lock installation steps:**

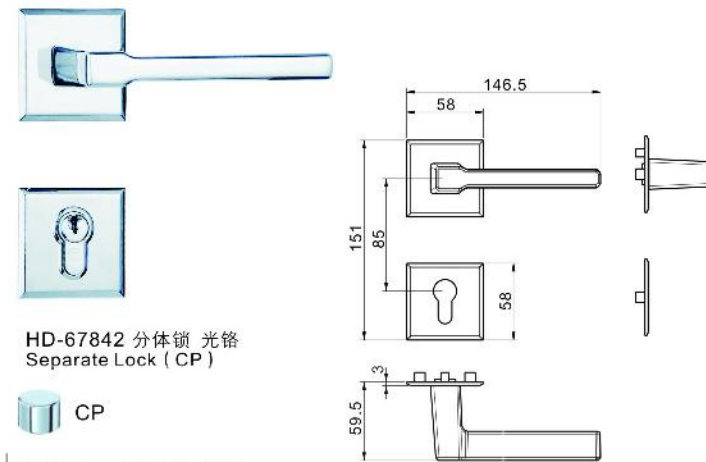
1. Make sure the incline of the tongue go with the closing direction. When it is necessary to adjust the opening direction of the lock, remove the commutator bar of the inclined tongue, and push the tongue into the lock, rotate 180°. Draw lines and make holes according to the installation specification. (As the picture: A)
2. Place the lock into the hole. Pre-fix the screws of the back veneer. (As the picture: B-C)
3. Insert the square bar through the door and into the lock. (As the picture: D)
4. Install the inner and outer plates, making handle run smoothly. Screw down the screws. (As the picture: E-F)
5. Insert the lock cylinder, making the key and knob run smoothly. (As the picture: G)
6. Screw down the screws, install the gusset plate and gusset box, make them parallel to the lock and match the lock tongue. Fix the screws. (As the picture: H)



提示: 为保护产品外观和功能, 安装门锁前请将手洗净或带上干净的布料类作业手套。装修门扇时, 特别是门扇如漆上油漆, 请将已装好的门锁卸下, 待装修完毕后再装上。  
Attention: In order to protect the lock's surface and function, please wash your hands or wear working gloves when install it. If decorated doors, please take off the lock first, after that, put on it again.

2

TWO 仁德门业  
Lock Hardware  
米兰世界博覽會品牌戰略合作夥伴  
STRATEGIC PARTNER OF EXPO2015 MILANO

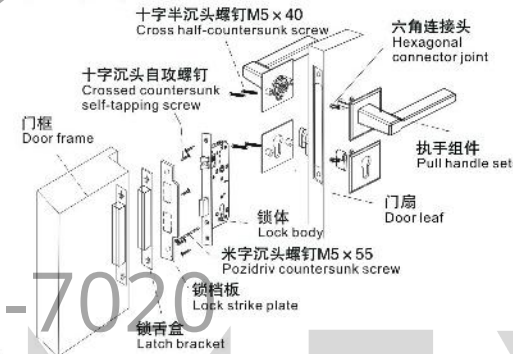


HD-67842 分体锁 光铬  
Separate Lock (CP)

CP

产品属性 Product Features	
表面处理: 光铬 Finish: CP	钥匙: 5条带蛇形槽防盗钥匙 Keys: 5 with snake-like groove anti-theft key
锁把手材质: SUS304不锈钢 Lever material: Stainless Steel SUS304	适合门厚: 40-55mm Available door thickness: 40-55mm
锁舌板材质: SUS304不锈钢 Lock strike plate material: Stainless Steel SUS304	适合范围: 各种木质门扇 Available for: All kinds of wooden door leaves
锁体: HD-85-50E Lock body: HD-85-50E	特点: 互开率低噪音小、开启轻巧灵活。 Features: Low interopening; Silent and easy opening
锁芯: HD-85-65B Lock Cylinder: HD-85-65B	

产品结构图:图例  
Product Structure drawing: drawing sample

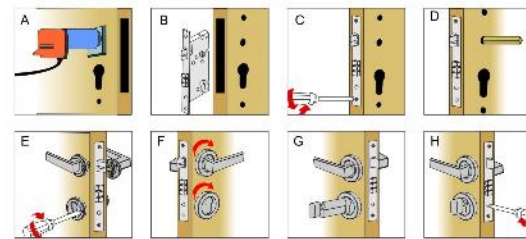


**分体锁安装步骤:**

1. 确保斜舌斜面与关门方向一致, 当需要调整锁体开门方向时, 向上拨开斜舌换片, 将斜舌推入锁体后, 旋转180°, 根据安装纸规划线开孔(如下图: A)。
2. 将锁体放入孔; 预紧衬板螺钉, 分别从锁体和执手圆上拆出外盖; 将方杆穿过门板插入锁体(如下图: B-D)。
3. 安装内外执手圆圈, 使把手转动顺畅, 拧紧螺钉, 安装内外锁圈, 插入锁芯(如下图: E-G)。
4. 使钥匙及旋钮转动顺畅, 拧紧螺钉, 安装扣板及扣盒, 对齐锁体, 应使锁舌与之配合顺畅, 拧紧螺钉(如下图: H)。

**Separator-lock Installation steps:**

1. Make sure the incline of the tongue go with the closing direction. When it is necessary to adjust the opening direction of the lock, remove the commutator bar of the inclined tongue, and push the tongue into the lock, rotate 180°. Draw lines and make holes according to the installation specification. (As the picture: A)
2. Place the lock into the hole. Pre-fix the screws of the back veneer. Remove the cover from the locking collar and handle collar. Insert the square bar through the door and into the lock. (As the picture: B-D)
3. Install the inner and outer parts of the handle collar. Make the handle run smoothly, and fix the screws. Install the inner and outer locking collar. (As the picture: E-G)
4. Insert the lock cylinder. Make the key and knob run smoothly. Fix the screws. Install the gusset plate and gusset box, make them parallel to the lock and match the lock tongue. Fix the screws. (As the picture: H)



提示: 为保护产品外观和功能, 安装门锁前请将手洗净或带上干净的布料类作业手套。装修门扇时, 特别是门扇如漆上油漆, 请将已装好的门锁卸下, 待装修完毕后再装上。  
Attention: In order to protect the lock's surface and function, please wash your hands or wear working gloves when install it. If decorated doors, please take off the lock first, after that, put on it again.



自主知识产权的外观设计（已有专利），外形富有美感，选用镶嵌水晶衬托出高档与时尚，外观造型简欧风格精致大气，对比目前市场上的产品属于上乘之作。

We have the intellectual-property rights on external design, this fashionable and high-end crystal displays our difference for others in the market.



+ (86) 186-8880-7020



本款设计灵感源于钻石独特的菱角和完美的分割面，加上镶嵌钻石的点缀，体现此款产品优雅面又高贵的特色，加入现代精简的视觉表现方式，而呈现一种大气的装饰门锁。

The design of this model comes from the particular appearance of diamond, the modern design inserted with diamond reflects users' high-end taste and elegance.

水晶系列

The series of Crystal

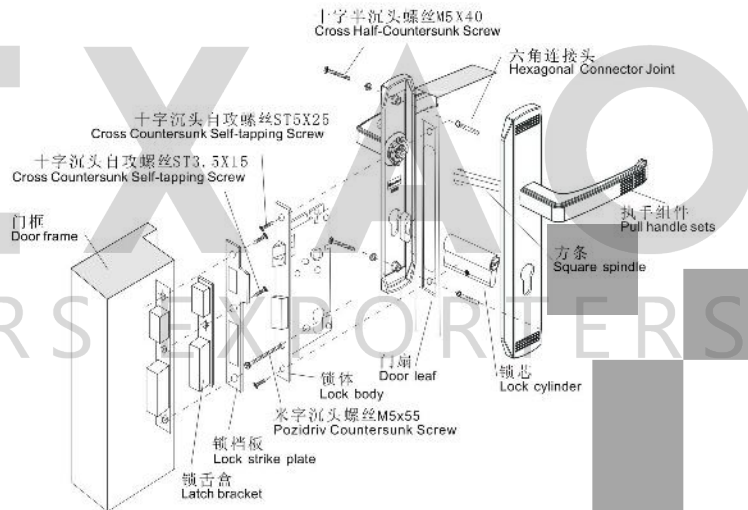
— 门锁五金 —

**HW-2 283-284**



HD-65501 大门锁 光金  
Gate Door Lock (GP)

产品结构图:图例  
Product Structure drawing: drawing sample



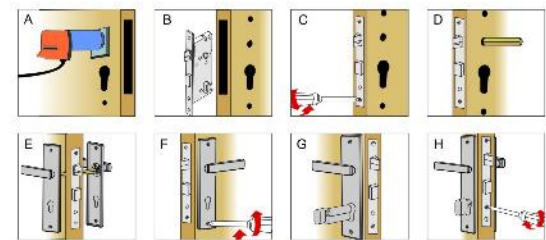
产品属性	Product Features
表面处理: 光金 Finish: GP	钥匙: 5条带蛇槽防盗钥匙 Keys: 5 with snake-like groove anti-theft key
锁把手材质: 锌合金、水晶 Lever material: Zinc Alloy	锁面板中心孔距: 85mm Keys: 85mm
锁面板材质: 锌合金、水晶 Lock strike plate material: Zinc Alloy	适合门厚: 38-52mm Available door thickness: 38-52mm
锁体: HD-85-50B Lock body: HD-85-80B	适合范围: 各种木质门扇 Available for: All kinds of wooden door leaves
锁芯: HD-85-76B Lock Cylinder: HD-85-76B	特点: 互开率位噪音小、开启轻巧灵活。 Features: Low interopening; Silent and easy opening

大门锁安装步骤:

1. 确保斜舌斜面与关门方向一致, 当需要调整锁体开门方向时, 向上拨开斜舌换片, 将斜舌推进锁体后, 旋转180°, 根据安装纸画线开孔(如下图: A)。
2. 将锁体放入孔; 预紧衬板螺钉(如下图: B-C)。
3. 将方杆穿过门板插入锁体(如下图: D)。
4. 安装内外面板, 使把手转动顺畅; 拧紧螺钉(如下图: E-F)。
5. 插入锁芯, 使钥匙及旋钮转动顺畅(如下图: G)。
6. 拧紧螺钉, 安装扣板及扣盒, 对齐锁体, 应使锁舌与之配合顺畅, 拧紧螺钉(如下图: H)。

Gate lock installation steps:

1. Make sure the incline of the tongue go with the closing direction. When it is necessary to adjust the opening direction of the lock, remove the commutator bar of the inclined tongue, and push the tongue into the lock, rotate 180°. Draw lines and make holes according to the installation specification. (As the picture: A)
2. Place the lock into the hole. Pre-fix the screws of the back veneer. (As the picture: B-C)
3. Insert the square bar through the door and into the lock. (As the picture: D)
4. Install the inner and outer plates, making handle run smoothly. Screw down the screws. (As the picture: E-F)
5. Insert the lock cylinder, making the key and knob run smoothly. (As the picture: G)
6. Screw down the screws, install the gusset plate and gusset box, make them parallel to the lock and match the lock tongue. Fix the screws. (As the picture: H)



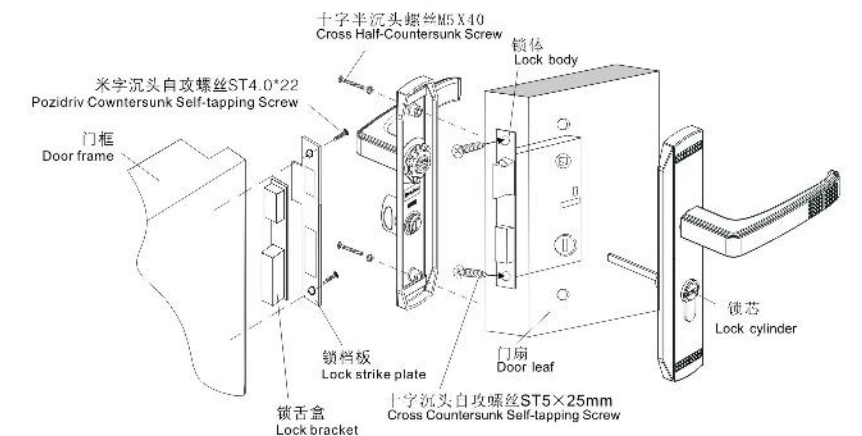
提示: 为保护产品外观和功能, 安装门锁前请将手洗净或戴上干净的布料类作业手套。装修门扇时, 特别是门扇如漆上油漆, 请将已装好的门锁卸下, 待装修完毕后再装上。  
Attention: In order to protect the lock's surface and function, please wash your hands or wear working gloves when install it. If decorated doors, please take off the lock first, after that, put on it again.

汇泰龙保留在不影响产品使用功能、质量的前提下, 适当改动产品尺寸、外型而不另行通知的权利; 本册所有产品颜色、尺寸误差请以实物为准。



HD-65505 房门锁 光金  
Room Door Lock (GP)

产品结构图:图例  
Product Structure drawing: drawing sample



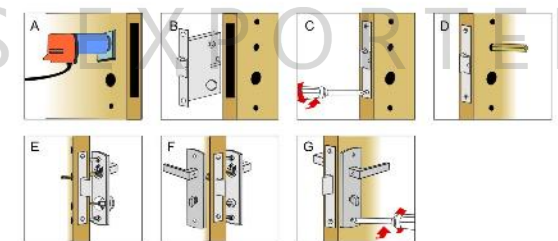
产品属性	Product Features
表面处理: 光金 Finish: GP	钥匙: 电脑双排珠钥匙 Keys: Computer double beads solid key
锁把手材质: 锌合金、水晶 Lever material: Zinc Alloy	锁面板中心孔距: 57cm Keys: 57cm
锁面板材质: 锌合金、水晶 Lock strike plate material: Zinc Alloy	适合门厚: 38-52mm Available door thickness: 38-52mm
锁体: HD-57-50E Lock body: HD-57-50E	适合范围: 各种木质门扇 Available for: All kinds of wooden door leaves
锁芯: HD-57E Lock Cylinder: HD-57E	特点: 互开率位噪音小、开启轻巧灵活。 Features: Low interopening; Silent and easy opening

安装步骤:

1. 确保斜舌斜面与关门方向一致, 根据安装纸画线开孔(如下图: A)。
2. 将锁体放入孔; 预紧衬板螺钉; 将方杆穿过门板插入锁体(如下图: B-D)。
3. 安装内外面板, 预紧面板螺钉使钥匙及旋钮转动顺畅(如下图: E)。
4. 将把手插入方杆, 使把手转动顺畅(如下图: F)。
5. 预紧把手螺钉, 安装扣板及扣盒, 对齐锁体, 应使锁舌与之配合顺畅, 拧紧螺钉(如下图: G)。

Installation steps:

1. Make sure the incline of the tongue go with the closing direction. Draw lines and make holes according to the installation specification. (As the picture: A)
2. Place the lock into the hole; Pre-fix the screws of the back veneer; Insert the square bar through the door and into the lock. (As the picture: B-D)
3. Install the inner and outer plates; Pre-fix the screw of inner plates, making the key and knob run smoothly. (As the picture: E)
4. Install handle, making handle run smoothly. (As the picture: F)
5. Pre-fix the screw of handle, install the gusset plate and gusset box, make them parallel to the lock and match the lock tongue. Fix the screws. (As the picture: F)



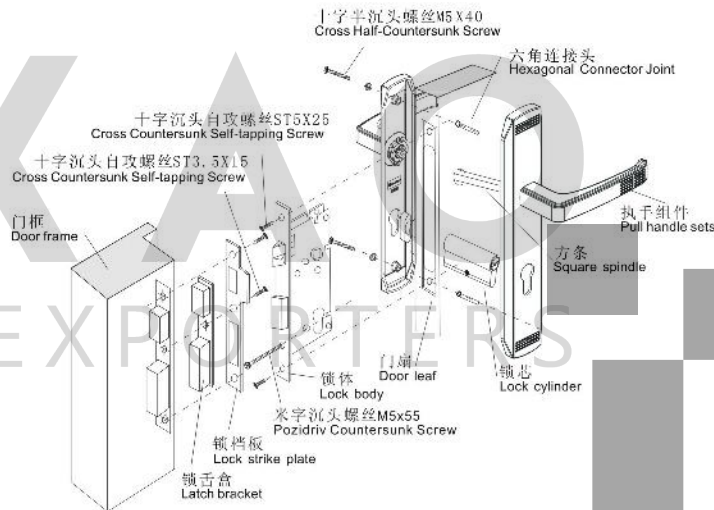
提示: 为保护产品外观和功能, 安装门锁前请将手洗净或戴上干净的布料类作业手套。装修门扇时, 特别是门扇如漆上油漆, 请将已装好的门锁卸下, 待装修完毕后再装上。  
Attention: In order to protect the lock's surface and function, please wash your hands or wear working gloves when install it. If decorated doors, please take off the lock first, after that, put on it again.

欲了解更多详细资料, 请登陆汇泰龙国际互联网: [www.hutlon.com](http://www.hutlon.com)



HD-65501 大门锁 光铬  
Gate Door Lock (CP)

产品结构图:图例  
Product Structure drawing: drawing sample



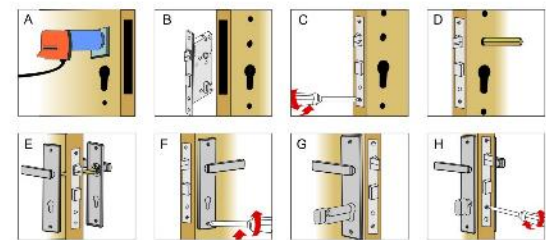
产品属性	Product Features
表面处理: 光铬 Finish: CP	钥匙: 5条带蛇槽防撬钥匙 Keys: 5 with snake-like groove anti-shaft key
锁把手材质: 锌合金、水晶 Lever material: Zinc Alloy	锁舌板中心孔距: 85mm Keys: 85mm
锁舌板材质: 锌合金、水晶 Lock strike plate material: Zinc Alloy	适合门厚: 38-52mm Available door thickness: 38-52mm
锁体: HD-85-50B Lock body: HD-85-80B	适合范围: 各种木质门扇 Available for: All kinds of wooden door leaves
锁芯: HD-85-76B Lock Cylinder: HD-85-76B	特点: 互开率位噪音小、开启轻巧灵活。 Features: Low interopening; Silent and easy opening

大门锁安装步骤:

1. 确保斜舌斜面与关门方向一致, 当需要调整锁体开门方向时, 向上拨开斜舌垫片, 将斜舌推进锁体后, 旋转180°, 根据安装纸画线开孔(如下图: A)。
2. 将锁体放入孔; 预紧衬板螺钉(如下图: B-C)。
3. 将方杆穿过门板插入锁体(如下图: D)。
4. 安装内外面板, 使把手转动顺畅; 拧紧螺钉(如下图: E-F)。
5. 插入锁芯, 使钥匙及旋钮转动顺畅(如下图: G)。
6. 拧紧螺钉, 安装扣板及扣盒, 对齐锁体, 应使锁舌与之配合顺畅, 拧紧螺钉(如下图: H)。

Gate lock installation steps:

1. Make sure the incline of the tongue go with the closing direction. When it is necessary to adjust the opening direction of the lock, remove the commutator bar of the inclined tongue, and push the tongue into the lock, rotate 180°. Draw lines and make holes according to the installation specification. (As the picture: A)
2. Place the lock into the hole. Pre-fix the screws of the back veneer. (As the picture: B-C)
3. Insert the square bar through the door and into the lock. (As the picture: D)
4. Install the inner and outer plates, making handle run smoothly. Screw down the screws. (As the picture: E-F)
5. Insert the lock cylinder, making the key and knob run smoothly. (As the picture: G)
6. Screw down the screws, install the gusset plate and gusset box, make them parallel to the lock and match the lock tongue. Fix the screws. (As the picture: H)



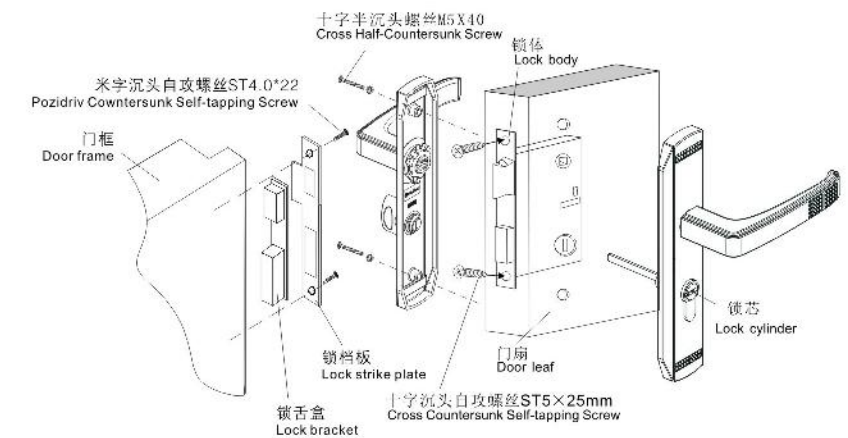
提示: 为保护产品外观和功能, 安装门锁前请将手洗净或戴上干净的布料类作业手套。装修门扇时, 特别是门扇如漆上油漆, 请将已装好的门锁卸下, 待装修完毕后再装上。  
Attention: In order to protect the lock's surface and function, please wash your hands or wear working gloves when install it. If decorated doors, please take off the lock first, after that, put on it again.

汇泰龙保留在不影响产品使用功能、质量的前提下, 适当改动产品尺寸、外型而不另行通知的权利; 本册所有产品颜色、尺寸误差请以实物为准。



HD-65505 房门锁 光铬  
Room Door Lock (CP)

产品结构图:图例  
Product Structure drawing: drawing sample



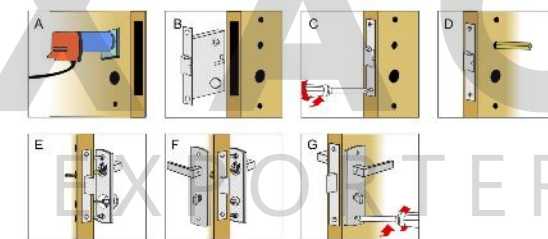
产品属性	Product Features
表面处理: 光铬 Finish: CP	钥匙: 电脑双排珠钥匙 Keys: Computer double beads solid key
锁把手材质: 锌合金、水晶 Lever material: Zinc Alloy	锁舌板中心孔距: 57mm Keys: 57mm
锁舌板材质: 锌合金、水晶 Lock strike plate material: Zinc Alloy	适合门厚: 38-52mm Available door thickness: 38-52mm
锁体: HD-57-50E Lock body: HD-57-50E	适合范围: 各种木质门扇 Available for: All kinds of wooden door leaves
锁芯: HD-57E Lock Cylinder: HD-57E	特点: 互开率位噪音小、开启轻巧灵活。 Features: Low interopening; Silent and easy opening

安装步骤:

1. 确保斜舌斜面与关门方向一致, 根据安装纸画线开孔(如下图: A)。
2. 将锁体放入孔; 预紧衬板螺钉; 将方杆穿过门板插入锁体(如下图: B-D)。
3. 安装内外面板, 预紧面板螺钉使钥匙及旋钮转动顺畅(如下图: E)。
4. 将把手套入方杆, 使把手转动顺畅(如下图: F)。
5. 预紧把手螺钉, 安装扣板及扣盒, 对齐锁体, 应使锁舌与之配合顺畅, 拧紧螺钉(如下图: G)。

Installation steps:

1. Make sure the incline of the tongue go with the closing direction. Draw lines and make holes according to the installation specification. (As the picture: A)
2. Place the lock into the hole; Pre-fix the screws of the back veneer; Insert the square bar through the door and into the lock. (As the picture: B-D)
3. Install the inner and outer plates; Pre-fix the screw of inner plates, making the key and knob run smoothly. (As the picture: E)
4. Install handle, making handle run smoothly. (As the picture: F)
5. Pre-fix the screw of handle, install the gusset plate and gusset box, make them parallel to the lock and match the lock tongue. Fix the screws. (As the picture: F)



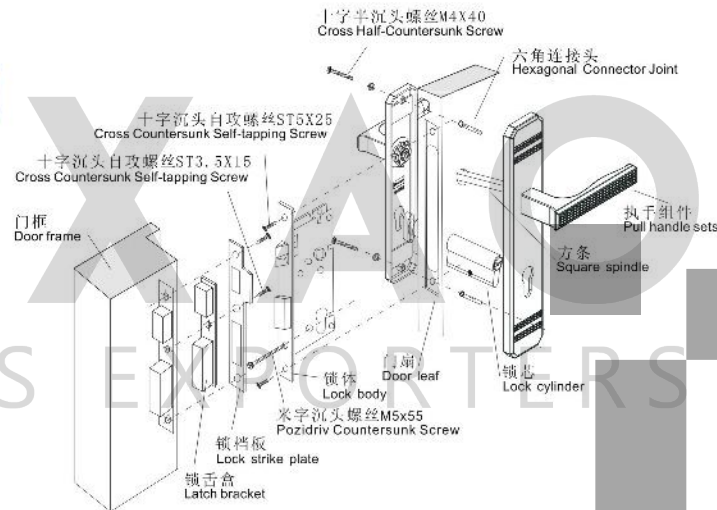
提示: 为保护产品外观和功能, 安装门锁前请将手洗净或戴上干净的布料类作业手套。装修门扇时, 特别是门扇如漆上油漆, 请将已装好的门锁卸下, 待装修完毕后再装上。  
Attention: In order to protect the lock's surface and function, please wash your hands or wear working gloves when install it. If decorated doors, please take off the lock first, after that, put on it again.

欲了解更多详细资料, 请登陆汇泰龙国际互联网: www.hutlon.com



HD-65511 大门锁 光金  
Gate Door Lock (GP)

产品结构图:图例  
Product Structure drawing: drawing sample



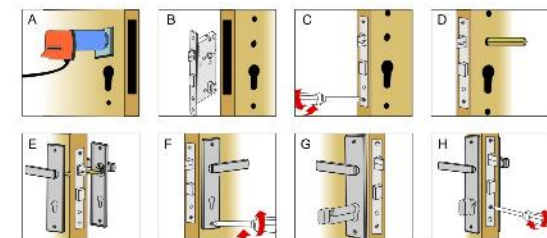
产品属性	Product Features
表面处理: 光金 Finish: GP	钥匙: 5条带蛇槽防撬钥匙 Keys: 5 with snake-like groove anti-theft key
执把手材质: 锌合金、水晶 Lever material: Zinc Alloy	锁舌板中心孔距: 85mm Keys: 85mm
锁舌板材质: 锌合金、水晶 Lock strike plate material: Zinc Alloy	适合门厚: 38-52mm Available door thickness: 38-52mm
锁体: HD-85-50B Lock body: HD-85-80B	适合范围: 各种木质门扇 Available for: All kinds of wooden door leaves
锁芯: HD-85-76B Lock Cylinder: HD-85-76B	特点: 互开率位噪音小、开启轻巧灵活。 Features: Low interopening; Silent and easy opening

大门锁安装步骤:

1. 确保斜舌斜面与关门方向一致, 当需要调整锁体开门方向时, 向上拨开斜舌垫片, 将斜舌推进锁体后, 旋转180°, 根据安装纸画线开孔(如下图: A)。
2. 将锁体放入孔; 预紧衬板螺钉(如下图: B-C)。
3. 将方杆穿过门板插入锁体(如下图: D)。
4. 安装内外面板, 使把手转动顺畅; 拧紧螺钉(如下图: E-F)。
5. 插入锁芯, 使钥匙及旋钮转动顺畅(如下图: G)。
6. 拧紧螺钉, 安装扣板及扣盒, 对齐锁体, 应使锁舌与之配合顺畅, 拧紧螺钉(如下图: H)。

Gate lock installation steps:

1. Make sure the incline of the tongue go with the closing direction. When it is necessary to adjust the opening direction of the lock, remove the commutator bar of the inclined tongue, and push the tongue into the lock, rotate 180°. Draw lines and make holes according to the installation specification. (As the picture: A)
2. Place the lock into the hole. Pre-fix the screws of the back veneer. (As the picture: B-C)
3. Insert the square bar through the door and into the lock. (As the picture: D)
4. Install the inner and outer plates, making handle run smoothly. Screw down the screws. (As the picture: E-F)
5. Insert the lock cylinder, making the key and knob run smoothly. (As the picture: G)
6. Screw down the screws, install the gusset plate and gusset box, make them parallel to the lock and match the lock tongue. Fix the screws. (As the picture: H)



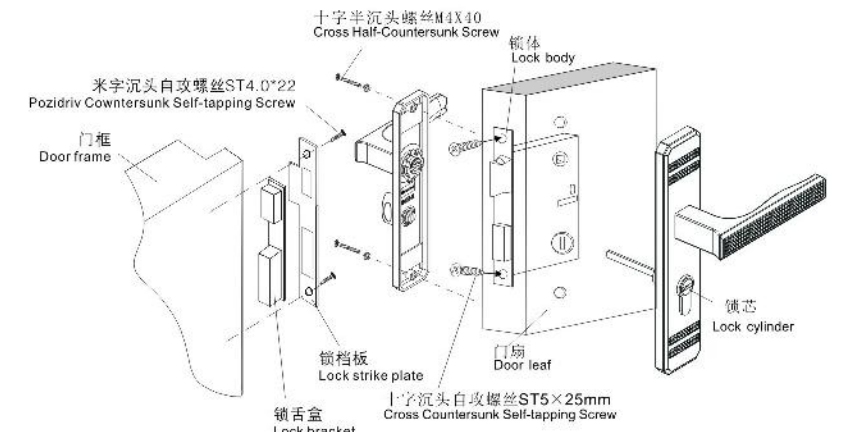
提示: 为保护产品外观和功能, 安装门锁前请将手洗净或戴上干净的布料类作业手套。装修门扇时, 特别是门扇如漆上油漆, 请将已装好的门锁卸下, 待装修完毕后再装上。  
Attention: In order to protect the lock's surface and function, please wash your hands or wear working gloves when install it. If decorated doors, please take off the lock first, after that, put on it again.

汇泰龙保留在不影响产品使用功能、质量的前提下, 适当改动产品尺寸、外型而不另行通知的权利; 本册所有产品颜色、尺寸误差请以实物为准。



HD-65515 房门锁 光金  
Room Door Lock (GP)

产品结构图:图例  
Product Structure drawing: drawing sample



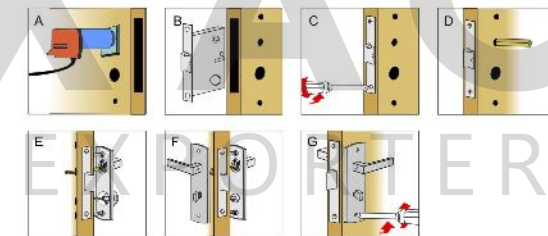
产品属性	Product Features
表面材质: 光金 Finish: GP	钥匙: 电脑双排珠钥匙 Keys: Computer double beads solid key
执把手材质: 锌合金、水晶 Lever material: Zinc Alloy	锁舌板中心孔距: 57mm Keys: 57mm
锁舌板材质: 锌合金、水晶 Lock strike plate material: Zinc Alloy	适合门厚: 38-52mm Available door thickness: 38-52mm
锁体: HD-57-50E Lock body: HD-57-50E	适合范围: 各种木质门扇 Available for: All kinds of wooden door leaves
锁芯: HD-57E Lock Cylinder: HD-57E	特点: 互开率位噪音小、开启轻巧灵活。 Features: Low interopening; Silent and easy opening

安装步骤:

1. 确保斜舌斜面与关门方向一致, 根据安装纸画线开孔(如下图: A)。
2. 将锁体放入孔; 预紧衬板螺钉; 将方杆穿过门板插入锁体(如下图: B-D)。
3. 安装内外面板, 预紧面板螺钉使钥匙及旋钮转动顺畅(如下图: E)。
4. 将执手套入方杆, 使把手转动顺畅(如下图: F)。
5. 预紧执手螺钉, 安装扣板及扣盒, 对齐锁体, 应使锁舌与之配合顺畅, 拧紧螺钉(如下图: G)。

Installation steps:

1. Make sure the incline of the tongue go with the closing direction. Draw lines and make holes according to the installation specification. (As the picture: A)
2. Place the lock into the hole; Pre-fix the screws of the back veneer. Insert the square bar through the door and into the lock. (As the picture: B-D)
3. Install the inner and outer plates, making the key and knob run smoothly. (As the picture: E)
4. Install handle, making handle run smoothly. (As the picture: F)
5. Pre-fix the screw of handle, install the gusset plate and gusset box, make them parallel to the lock and match the lock tongue. Fix the screws. (As the picture: F)



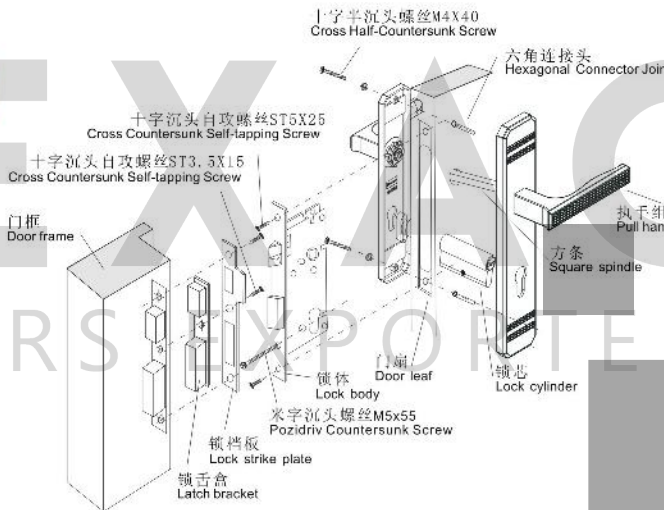
提示: 为保护产品外观和功能, 安装门锁前请将手洗净或戴上干净的布料类作业手套。装修门扇时, 特别是门扇如漆上油漆, 请将已装好的门锁卸下, 待装修完毕后再装上。  
Attention: In order to protect the lock's surface and function, please wash your hands or wear working gloves when install it. If decorated doors, please take off the lock first, after that, put on it again.

欲了解更多详细资料, 请登陆汇泰龙国际互联网: www.hutlon.com



HD-65511 大门锁 光铬  
Gate Door Lock (CP)

产品结构图:图例  
Product Structure drawing: drawing sample



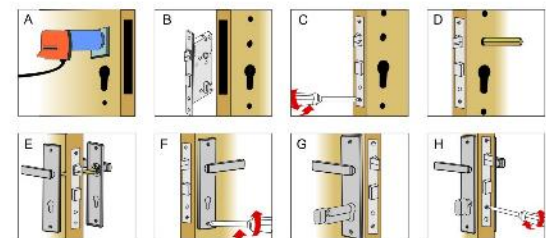
产品属性	Product Features
表面处理: 光铬 Finish: CP	钥匙: 5齿带蛇槽防撬钥匙 Keys: 5 with snake-like groove anti-theft key
执把手材质: 锌合金、水晶 Lever material: Zinc Alloy	锁舌板中心孔距: 85mm Keys: 85mm
锁舌板材质: 锌合金、水晶 Lock strike plate material: Zinc Alloy	适合门厚: 38-52mm Available door thickness: 38-52mm
锁体: HD-85-50B Lock body: HD-85-80B	适合范围: 各种木质门扇 Available for: All kinds of wooden door leaves
锁芯: HD-85-76B Lock Cylinder: HD-85-76B	特点: 互开率低噪音小、开启轻巧灵活。 Features: Low interopening; Silent and easy opening

大门锁安装步骤:

1. 确保斜舌斜面与关门方向一致, 当需要调整锁体开门方向时, 向上拨开斜舌换片, 将斜舌推进锁体后, 旋转180°, 根据安装纸画线开孔(如下图: A)。
2. 将锁体放入孔; 预紧衬板螺钉(如下图: B-C)。
3. 将方杆穿过门板插入锁体(如下图: D)。
4. 安装内外面板, 使把手转动顺畅; 拧紧螺钉(如下图: E-F)。
5. 插入锁芯, 使钥匙及旋钮转动顺畅(如下图: G)。
6. 拧紧螺钉, 安装扣板及扣盒, 对齐锁体, 应使锁舌与之配合顺畅, 拧紧螺钉(如下图: H)。

Gate lock installation steps:

1. Make sure the incline of the tongue go with the closing direction. When it is necessary to adjust the opening direction of the lock, remove the commutator bar of the inclined tongue, and push the tongue into the lock, rotate 180°. Draw lines and make holes according to the installation specification. (As the picture: A)
2. Place the lock into the hole. Pre-fix the screws of the back veneer. (As the picture: B-C)
3. Insert the square bar through the door and into the lock. (As the picture: D)
4. Install the inner and outer plates, making handle run smoothly. Screw down the screws. (As the picture: E-F)
5. Insert the lock cylinder, making the key and knob run smoothly. (As the picture: G)
6. Screw down the screws, install the gusset plate and gusset box, make them parallel to the lock and match the lock tongue. Fix the screws. (As the picture: H)



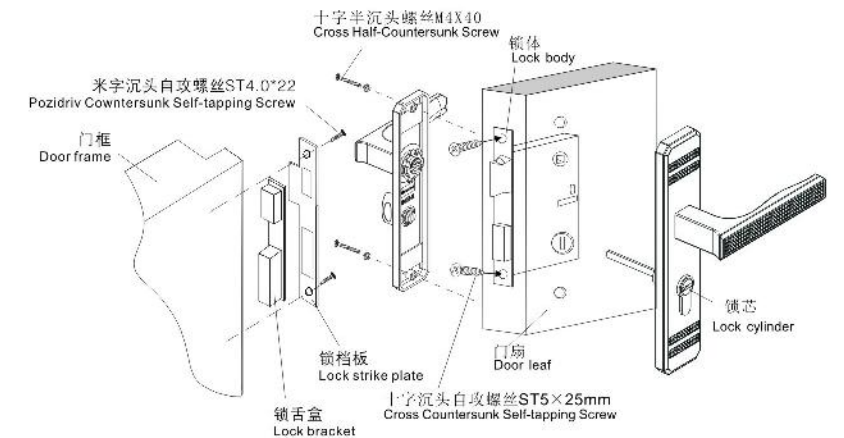
提示: 为保护产品外观和功能, 安装门锁前请将手洗净或戴上干净的布料类作业手套。装修门扇时, 特别是门扇如漆上油漆, 请将已装好的门锁卸下, 待装修完毕后再装上。  
Attention: In order to protect the lock's surface and function, please wash your hands or wear working gloves when install it. If decorated doors, please take off the lock first, after that, put on it again.

汇泰龙保留在不影响产品使用功能、质量的前提下, 适当改动产品尺寸、外型而不另行通知的权利; 本册所有产品颜色、尺寸误差请以实物为准。



HD-65515 房门锁 光金  
Room Door Lock (CP)

产品结构图:图例  
Product Structure drawing: drawing sample



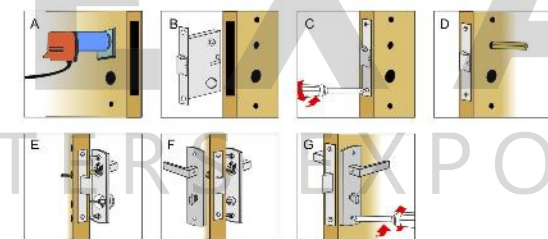
产品属性	Product Features
表面处理: 光铬 Finish: CP	钥匙: 电脑双排珠钥匙 Keys: Computer double beads solid key
执把手材质: 锌合金、水晶 Lever material: Zinc Alloy	锁舌板中心孔距: 57cm Keys: 57cm
锁舌板材质: 锌合金、水晶 Lock strike plate material: Zinc Alloy	适合门厚: 38-52mm Available door thickness: 38-52mm
锁体: HD-57-50E Lock body: HD-57-50E	适合范围: 各种木质门扇 Available for: All kinds of wooden door leaves
锁芯: HD-57E Lock Cylinder: HD-57E	特点: 互开率低噪音小、开启轻巧灵活。 Features: Low interopening; Silent and easy opening

安装步骤:

1. 确保斜舌斜面与关门方向一致, 根据安装纸画线开孔(如下图: A)。
2. 将锁体放入孔; 预紧衬板螺钉; 将方杆穿过门板插入锁体(如下图: B-D)。
3. 安装内外面板, 预紧面板螺钉使钥匙及旋钮转动顺畅(如下图: E)。
4. 将执手套入方杆, 使把手转动顺畅(如下图: F)。
5. 预紧执手螺钉, 安装扣板及扣盒, 对齐锁体, 应使锁舌与之配合顺畅, 拧紧螺钉(如下图: G)。

Installation steps:

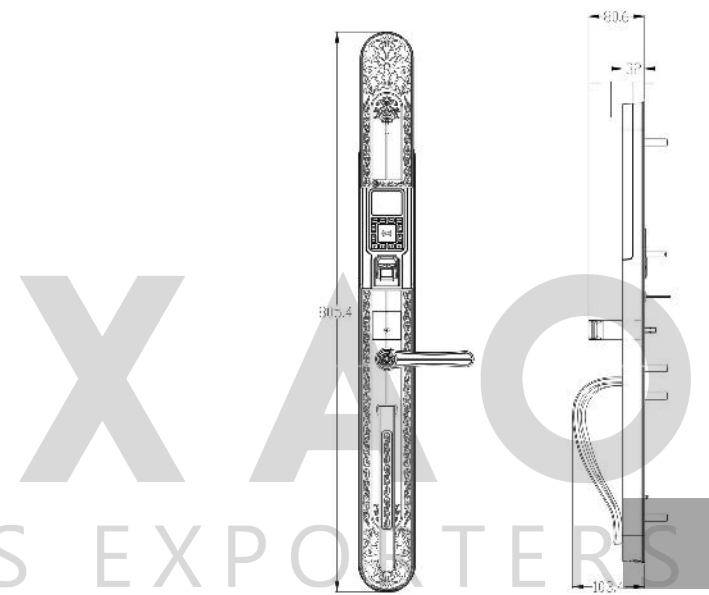
1. Make sure the incline of the tongue go with the closing direction. Draw lines and make holes according to the installation specification. (As the picture: A)
2. Place the lock into the hole; Pre-fix the screws of the back veneer. Insert the square bar through the door and into the lock. (As the picture: B-D)
3. Install the inner and outer plates, making the key and knob run smoothly. (As the picture: E)
4. Install handle, making handle run smoothly. (As the picture: F)
5. Pre-fix the screw of handle, install the gusset plate and gusset box, make them parallel to the lock and match the lock tongue. Fix the screws. (As the picture: G)



提示: 为保护产品外观和功能, 安装门锁前请将手洗净或戴上干净的布料类作业手套。装修门扇时, 特别是门扇如漆上油漆, 请将已装好的门锁卸下, 待装修完毕后再装上。  
Attention: In order to protect the lock's surface and function, please wash your hands or wear working gloves when install it. If decorated doors, please take off the lock first, after that, put on it again.

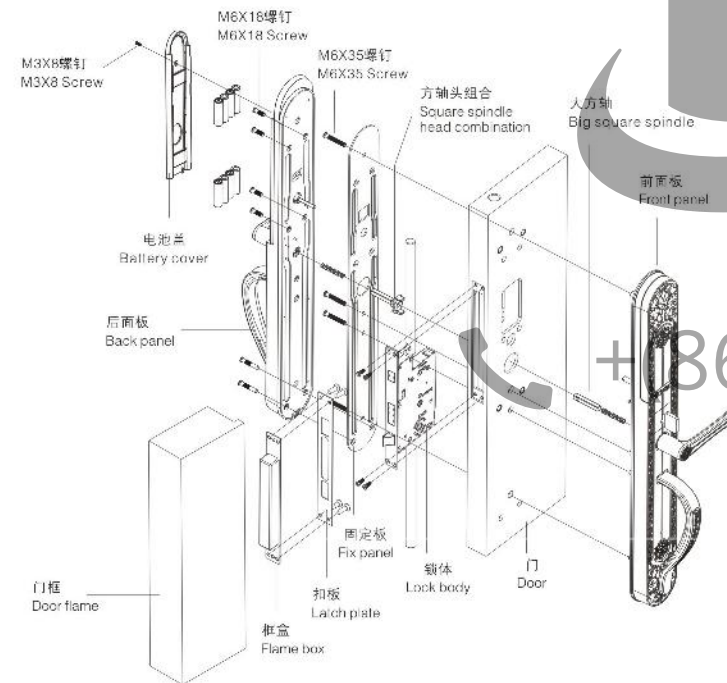
欲了解更多详细资料, 请登陆汇泰龙国际互联网: www.hutlon.com

INEXAO IMPORTERS EXPORTERS



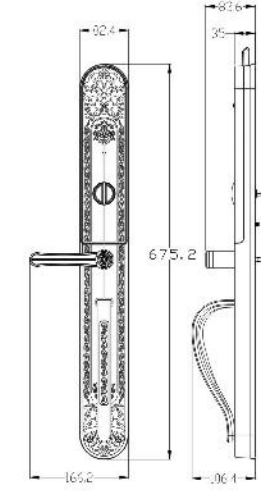
HZ-69206 提香 豪华古典指纹锁  
TI XIANG

产品结构图:图例  
Product Structure drawing: drawing sample



二、配件图  
parts illustration

编号 NO	名称 description	图示 Diagram Form	数量 Quantity	编号 NO	名称 description	图示 Diagram Form	数量 Quantity	编号 NO	名称 description	图示 Diagram Form	数量 Quantity
01	前盖板 Front panel		1	06	门扣盒 Door latch box		1	11	后盖板 Back panel		1
02	锁体 Lock Body		1	07	门扣板 Door latch plate		1	12	电池盖 Battery cover		1
03	固定板 Fix panel		1	08	方条 Square rod		各1	13	应急机械钥匙 key lock		3
04	固定螺钉 Set screw		2	09	M6X35螺钉 M6X35 Screw		4	14	M6X18螺钉 M6X18 Screw		6
05	连接头 Connector		2	10	把手弹簧 Spring		2	15	M3X8螺钉 M3X8 Screw		1



提香 TI XIANG  
HZ-69206 豪华古典指纹锁 红古铜  
Fingerprint Password Lock AC

可选颜色: YB 真古铜 GP 亮金  
Selective color: YB GP

产品属性	Product Features
表面处理: 红古铜 Finish: AC	锁体: 独特斜舌设计 Lock Distance: Unique movable latch bolt design
锁把手材质: 锌合金 Lever material: Zinc Alloy	适合门厚: 40-100mm Available door thickness: 40-100mm
锁面板材质: 锌合金 Lock strike plate material: Zinc Alloy	钥匙: 3条(电脑双排10球+蛇形槽) Keys: 3 keys (computer double row with 10 ball + snakelike groove)
指纹识别技术: 国际先进360度指纹识别; 密码核心技术: 密码防泄, 触控式感应模块; 感应技术: 快速防湿冲发机制, 防误干扰; Fingerprint identification: 360 degree; Password identification: password leakage prevention, touch induction module; Sensor technology: leakage and conflict prevention to avoid data interference.	
特别提示: 右开门门锁, 锁面板不分左右, 锁体分左右。本系列产品分左开门和右开门。 Special Notice: Lock-right open. Lock plate case(left and right). Lock classified:left and right. This series lock divided into Left-open and right-open.	

产品优缺点 Product Feature:

1. 采用国际领先指纹算法技术, 操作使用速度迅速, 技术成熟稳定; 2. 智能语音导航及OLED显示屏菜单操作, 更人性化; 3. 临时指纹、卡时间设有效期设置; 4. 手机电话开锁; 5. 用户开锁手机短信通知; 6. 一次性密码功能; 7. 用户实名输入使用户管理更便捷完善; 8. 开锁记录与剩余空间查询功能; 9. 把手采用游历式把手设计, 可防止门外暴力破坏; 10. 中英文菜单与中英文语音导航功能; 11. 胁迫报警; 12. 用户时间段、有效期设置; 13. 人性化的锁交互方式。

1. Fast speed of operation on leading fingerprint algorithm technology; 2. Humanized intelligent voice navigation and OLED display screen menu operation; 3. Temporary fingerprints, card validity period setting; 4. Cell phone to unlock; 5. User unlock SMS notification; 6. One-time password function; 7. Real-name management; 8. Unlock records with the remaining space querying; 9. Handle of free type handle design, to prevent violent destruction from outside; 10. With both Chinese and English menu and voice navigation; 11. Duress alarm; 12. User time and validity setting; 13. Humanized locks interact.

警告功能 ALARM FUNCTION

- 斜舌报警 Latch bolt alarm
- 低压报警 pressure alarm
- 防撬报警 Pry proof alarm

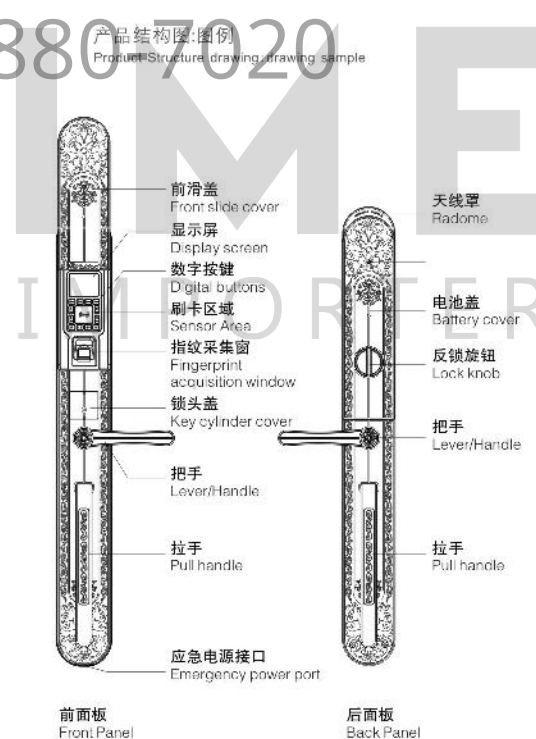
管理功能 MANAGEMENT FUNCTION

- 增加与删除指纹操作 Increase and remove fingerprint operation
- 增加与删除密码操作 Add and cancel induction password operation
- 增加与删除感应卡操作 Add and cancel induction card operation

常规设置 (设置时钟、语言)  
General setup ( set the clock, language )

智能电子锁 Intelligent Electronic Locks

四合一超人性化开锁方式 Four IN ONE



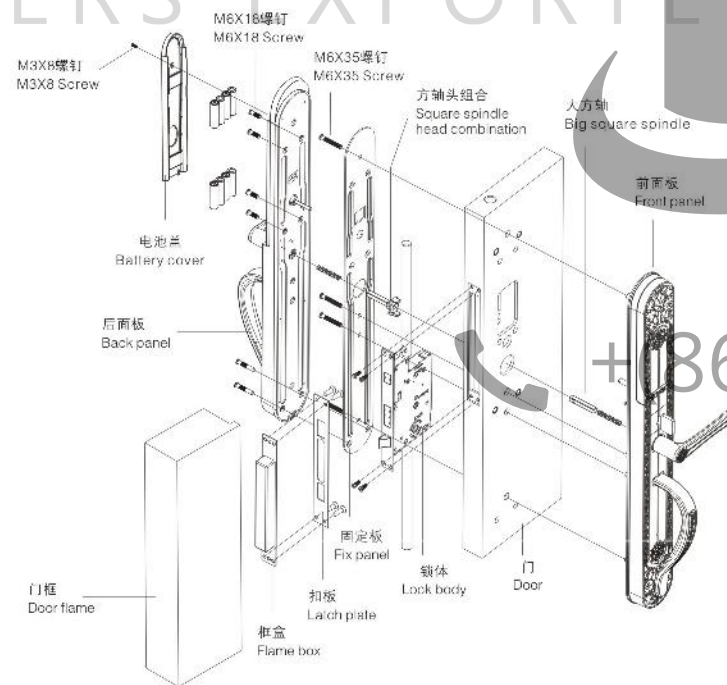
+86) 186-8880-7020





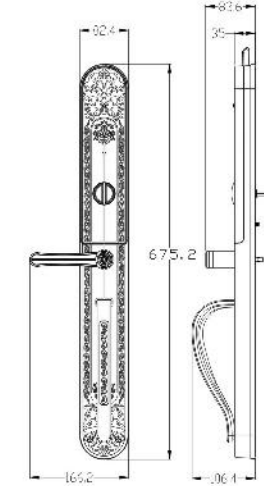
HZ-69206 提香 豪华古典指纹锁  
TI XIANG

产品结构图:图例  
Product Structure drawing: drawing sample



二、配件图  
parts illustration

编号 NO	名称 description	图示 Diagram Form	数量 Quantity	编号 NO	名称 description	图示 Diagram Form	数量 Quantity	编号 NO	名称 description	图示 Diagram Form	数量 Quantity
01	前面板 Front panel		1	06	门扣盒 Door latch box		1	11	后面板 Back panel		1
02	锁体 Lock Body		1	07	门扣板 Door latch plate		1	12	电池盖 Battery cover		1
03	固定板 Fix panel		1	08	方条 Square rod		各1	13	应急机械钥匙 Emergency mechanical key		3
04	固定螺钉 Set screw		2	09	M6X35螺钉 M6X35 Screw		4	14	M6X18螺钉 M6X18 Screw		6
05	接头 Connector		2	10	把手弹簧 Spring		2	15	M3X8螺钉 M3X8 Screw		1



提香 TI XIANG

HZ-69206 豪华古典指纹锁 光金  
Fingerprint Password Lock GP

可选颜色: YB 亮古铜 AC 炫古铜  
Selectivo color: YB AC

产品属性 Product Features

表面处理: 光金 Finish: GP	锁体: 独特可斜舌设计 Lock Distance: Unique movable latch bolt design
锁把手材质: 锌合金 Lever material: Zinc Alloy	适合门厚: 40-100mm Available door thickness: 40-100mm
锁面板材质: 锌合金 Lock strike plate material: Zinc Alloy	钥匙: 3条(电脑双排10球+蛇形槽) Keys: 3 keys (computer double row with 10 ball + snakelike groove)
指纹识别技术: 国际先进360度指纹识别; 密码核心技术: 密码防漏, 触屏式感应模块; 感应技术: 快速防湿冲击机制, 防磁干扰; Fingerprint identification: 360 degree; Password identification: password leakage prevention, touch induction module; Sensor technology: leakage and conflict prevention to avoid data interference.	
特别提示: 右开门门锁, 锁面板不分左右, 锁体分左右。本系列产品分左开门和右开门。 Special Notice: Lock-right open. Lock plate case(left and right). Lock classified:left and right. This series lock divided into Left-open and right-open.	

产品优缺点 Product Feature:

1. 采用国际领先指纹算法技术, 操作使用速度迅速, 技术成熟稳定; 2. 智能语音导航及OLED显示屏菜单操作, 更人性化; 3. 临时指纹、卡时间设有效期设置; 4. 手机电话开锁; 5. 用户开锁手机短信通知; 6. 一次性密码功能; 7. 用户实名输入使用户管理更便捷完善; 8. 开锁记录与剩余空间查询功能; 9. 把手采用游历式把手设计, 可防止门外暴力破坏; 10. 中英文菜单与中英文语音导航功能; 11. 胁迫报警; 12. 用户时间段、有效期设置; 13. 人性化的人锁交互方式。
1. Fast speed of operation on leading fingerprint algorithm technology; 2. Humanized intelligent voice navigation and OLED display screen menu operation; 3. Temporary fingerprints, card validity period setting; 4. Cell phone to unlock; 5. User unlock SMS notification; 6. One-time password function; 7. Real-name management; 8. Unlock records with the remaining space querying; 9. Handle of free type handle design, to prevent violent destruction from outside; 10. With both Chinese and English menu and voice navigation; 11. Duress alarm; 12. User time and validity setting; 13. Humanized locks interact.

警告功能 ALARM FUNCTION

- 斜舌报警 Latch bolt alarm
- 低压报警 pressure alarm
- 防撬报警 Pry proof alarm

管理功能 MANAGEMENT FUNCTION

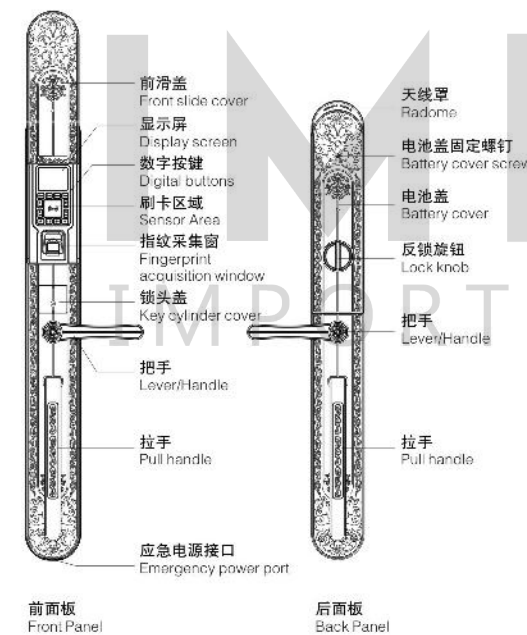
- 增加与删除指纹操作 Increase and remove fingerprint operation
- 增加与删除密码操作 Add and cancel induction password operation
- 增加与删除感应卡操作 Add and cancel induction card operation

常规设置 (设置时钟、语言)

General setup ( set the clock, language )

智能电子锁 Intelligent Electronic Locks

四合一超人性化开锁方式 Four IN ONE



+86) 186-8880-7020



**HW-3**



**HW-3 23**



**HW-3 23**

 + (86) 186-8880-7020



**HW-3 29**



**HW-3 29**



**HW-3 29**

 +(86) 186-8880-7020



**HW-3 32**



**HW-3 34**



**HW-3 35**

 +(86) 186-8880-7020



**HW-3 36**



**HW-3 37**



**HW-3 38**

 + (86) 186-8880-7020



**HW-3 39**



**HW-3 40**



**HW-3 41**

 **+(86) 186-8880-7020**

IMEXAO IMPORTERS EXPORTERS



**HW-3 42**



**HW-3 43**

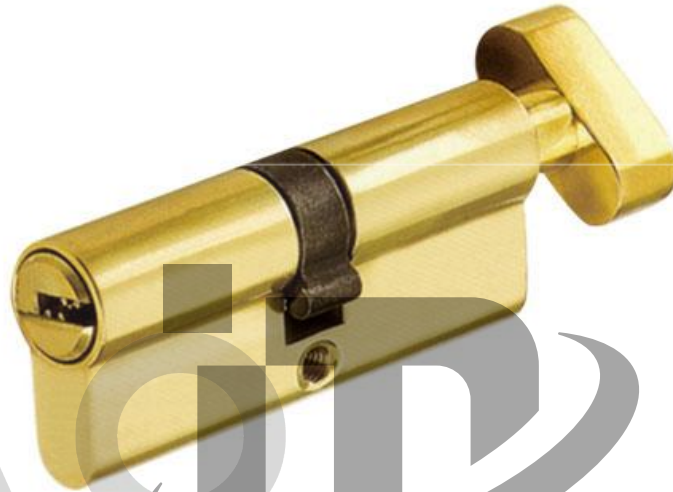


**HW-3 44**

 [+\(86\) 186-8880-7020](tel:+8618688807020)



**HW-3 45**



**HW-3 46**



**HW-3 47**

IMEXAO  
IMPORTERS EXPORTERS

IMEXAO  
IMPORTERS EXPORTERS

 +(86) 186-8880-7020





**HW-3 48**



 **HW-3 DT70**  
+(86) 186-8880-7020



**HW-3 DTP70**



**HW-3 DX70**



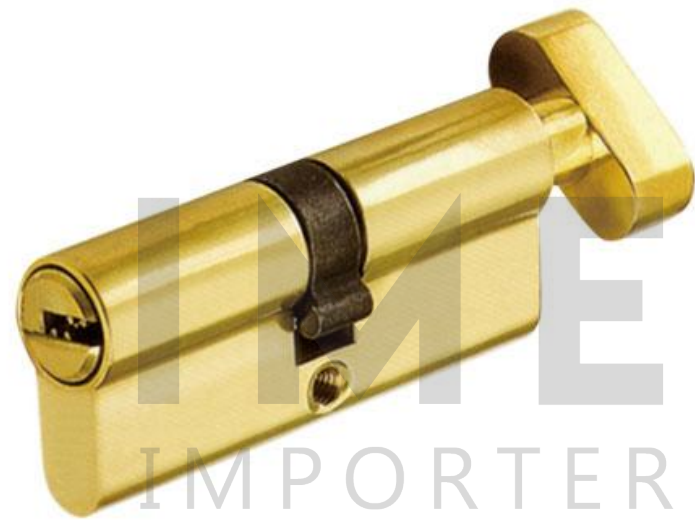
**HW-3 DXNT70**



**HW-3 DXT70A**

 +(86) 186-8880-7020

IMEXAO IMPORTERS EXPORTERS



**HW-3 DXT70B**



**HW-3 DXT70C**



**HW-3 DXX70**

 +(86) 186-8880-7020



**HW-3 F50-40**



**HW-3 F50-40J**



**HW-3 F50-45A**

 +(86) 186-8880-7020



**HW-3 F50-45B**



**HW-3 F58-40E**



**HW-3**

 + (86) 186-8880-7020



**HW-3 14**



**HW-3 15**



**HW-3 16**

+ (86) 186-8880-7020



**HW-3 17**



**HW-3 18**



**HW-3 19**

+ (86) 186-8880-7020



**HW-3 20**



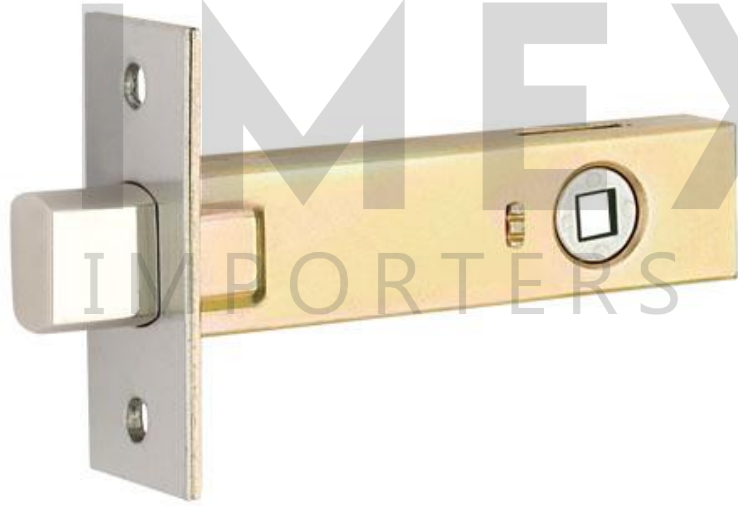
**HW-3 21**



**HW-3 22**

+86 186 8880 7020





**HW-3 24**



**HW-3 26**

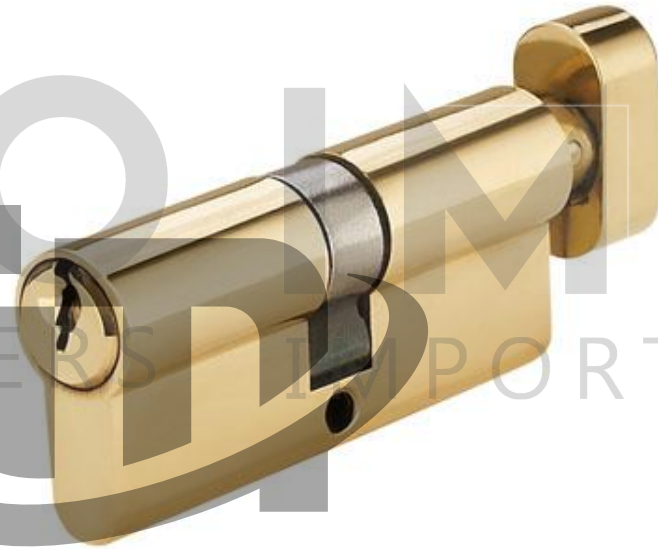


**HW-3 27**

 +(86) 186-8880-7020



**HW-3 28**



**HW-3 33**

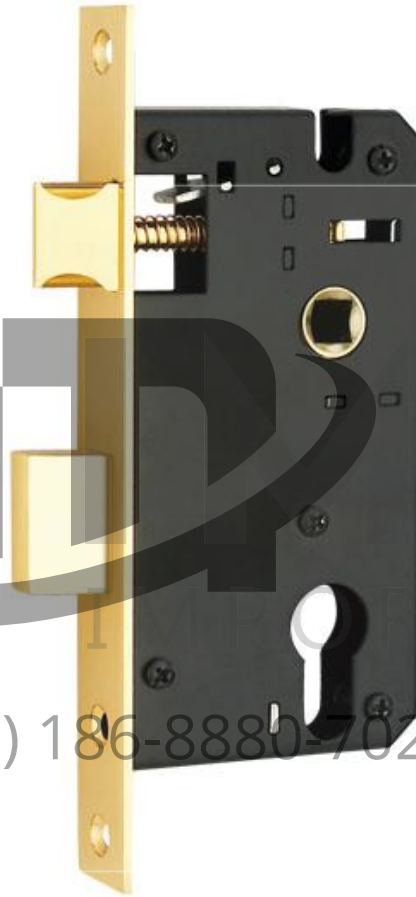


**HW-3 F58-45B**

 +(86) 186-8880-7020



**HW-3 HX7011-45BC**



**HW-3 F58-45D**



**HW-3 H70-20A**

+ (86) 186-8880-7020



**HW-3 H70-20B**



**HW-3 HX7011-40A**



**HW-3 HX7011-40B**

IMEXAO IMPORTERS EXPORTERS

+ (86) 186-8880-7020



**HW-3 HX7011-40D**



**HW-3 HX7011-45A**



**HW-3 HX7011-45B**

+ (86) 186-8880-7020

IMPORTERS EXPORTERS



**HW-3 HX7011-45BC**



**HW-3 HX7011-45C**



**HW-3 HX7016-40**

IMEXAO  
IMPORTERS EXPORTERS  
IMEXAO  
IMPORTERS EXPORTERS  
IMEXAO  
IMPORTERS EXPORTERS  
+ (86) 186-8880-7020



**HW-3 HX7016-45**



**HW-3 HX9011-45**

+ (86) 186-8880-7020

Laffey Electric

# T6

T6 TOUCH SENSITIVE SWITCH



Full metal touch control switch





Laffey Electric

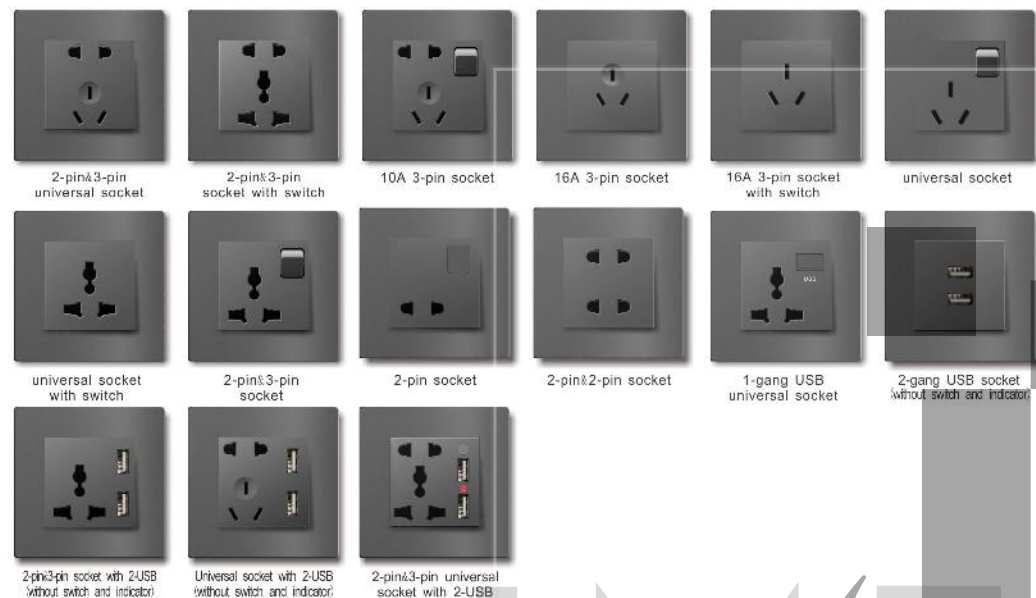
T6 Full metal tact sensitive switch



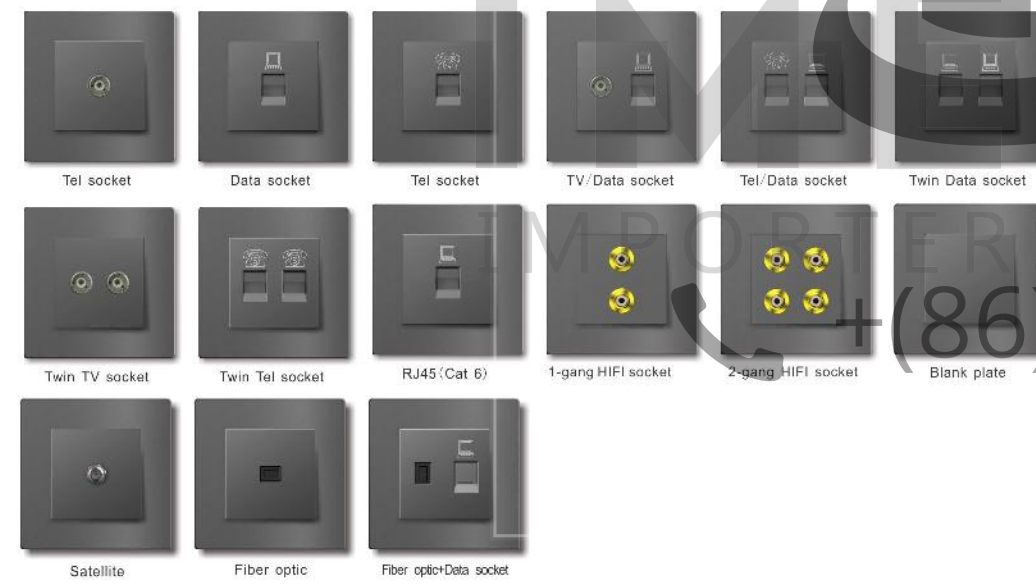
T6 Full metal tact sensitive switch



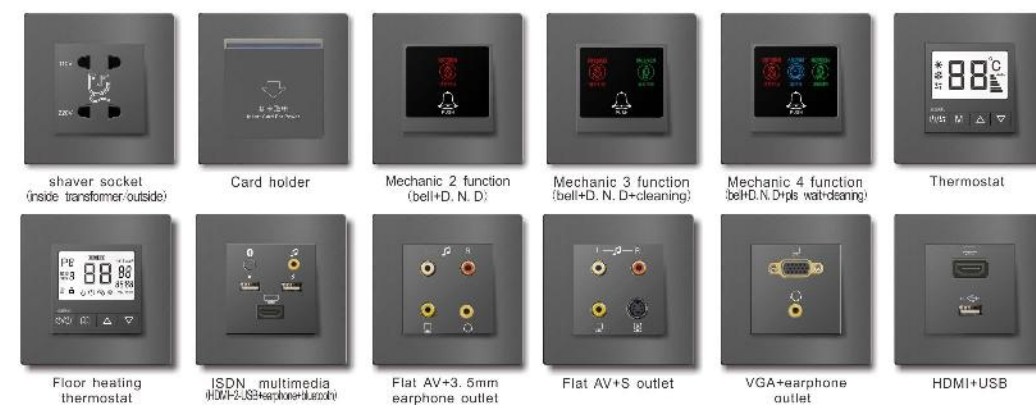
High Voltage Sockets



Information



Others



T6 series standard frame match with module colors



Laffey Electric

**V9-ZM**

Presence of mind, and control exquisite life



Presence of mind, and control exquisite life

V9-ZM continue the classic metal edge design of V9 series, and change the key to a unique horizontal line key. It also apply element of the sports car taillight "Y" style and backlight change. This exquisite design comes from high demand for function and materials. Also, the modern and technological sense of the flowing Y-shaped match the ancient red bronze are display a special temperament which make V9-ZM out of the ordinary.

Three major process design, bring you an Imperial experience.

Metal transmission process



Metal transmission process



Sports car taillight style buttons

The technological sense of the flowing Y-shape style make V9-ZM special



Patent backlight change design

The backlight principle of automobile button is adopted, with clear and unobtrusive orange backlight display. It can clearly know the status of on/off of the light, which is white when the light is on and is orange when the light is off.



Metal backlight process

Every word on the metal plate is carved through so that the light is transmitted through the hole of the word. And equipped with a protruding 1-gang switch, which makes it delicate and elegant.

*Fashion dazzle rotary thermostat*

It can increase unlimited color to your life



Situational dazzle circle

Different modes emit the light of corresponding colors through to choose the control modes. It have four color modes: ventilation is green, refrigeration is blue, heating is red, dehumidification is white.



Rotary thermoregulation

It is convenience and efficiency that rotary thermostat can use the hand to rotate the button to control the temperature, the same as control the voice.



Timing function

According the usage habit to set the timing on/off, bring more convenient and comfortable experience to customers.



Three-in-one master switch

Three-in-one of new wind, thermostat and floor heating. It can be used individually and two or three combination, also can combine to switch plate, forming a unification style.



Three-in-one of new wind, thermostat and floor heating

Laffey Electric

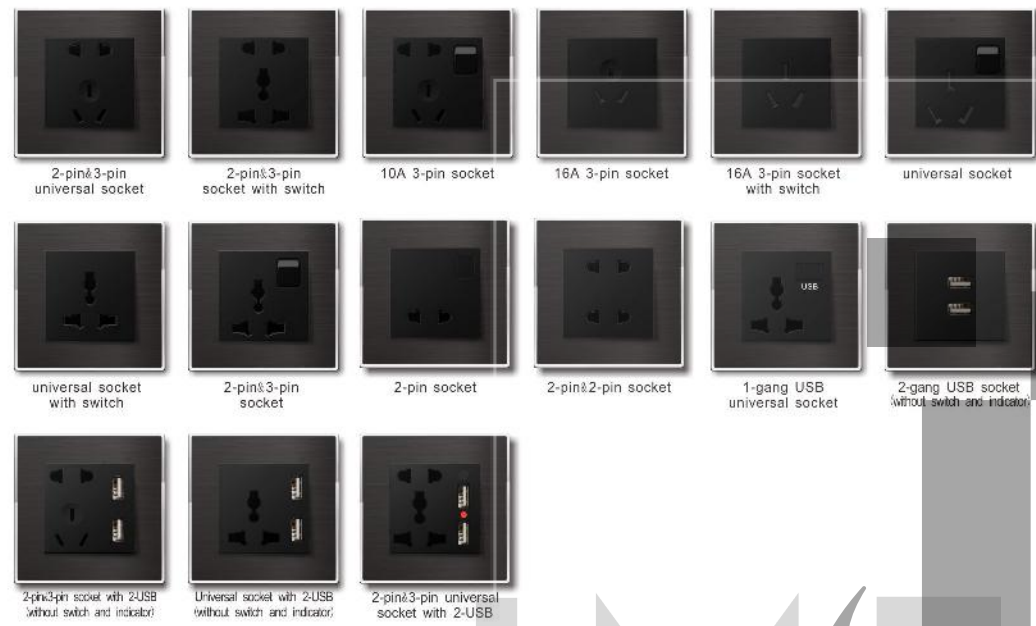
**V9-ZM**



**V9-ZM**  
Penetrating light design  
Orange light



**High Voltage Sockets**



**Information**



**Others**



**Conjoined Switches**



V9-ZM series standard frame match with module colors



Laffey Electric

**D8 Full metal macroplate tact switch** For smart home

Redefine the macroplate to make for the personality customized



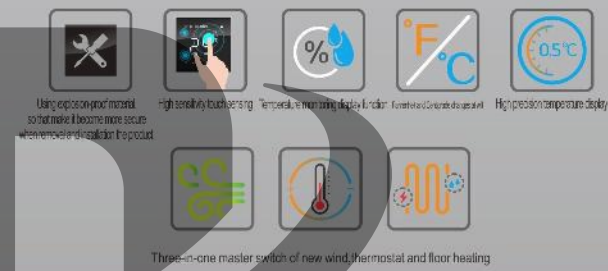
Redefine the macroplate to make for the personality customized

D8 switch plate redefined the old super plate switch, it can customize the status light of feedback and the words of switch. D8 can choose the plate with edge or without edge according the customer situation, and it has metal and plastic materials, so the users possess more options and combination. Also, the function and interest make the home more distinctive with sense of the future of technology and unique experience.

**D8 Tact screen thermostat**

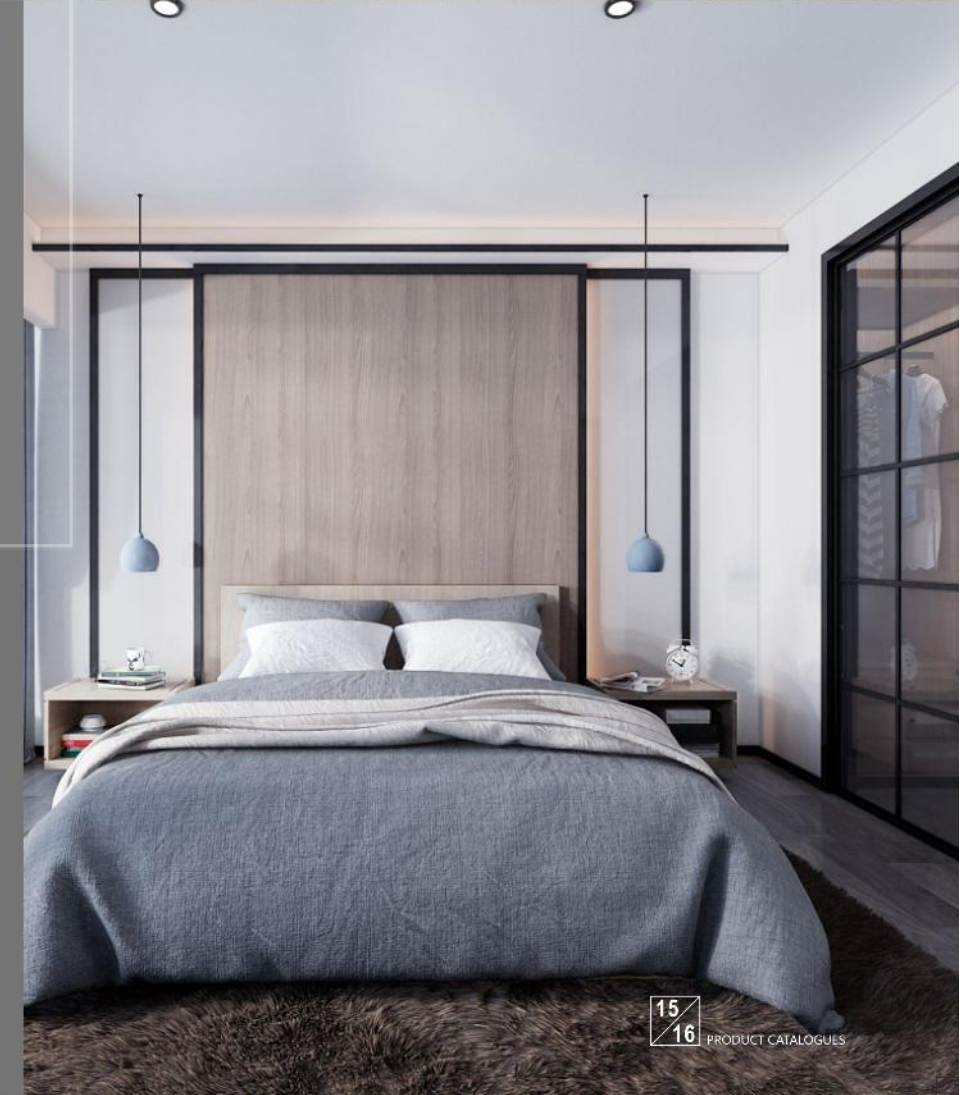


D8 Thermostat



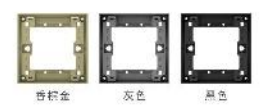
**D8 Tempered Glass Tact Screen Background Music**

In order to make the decoration style become consistent, it make the background music blend in switch plate, creating a new concept: Integration Background Music of smart hotels.

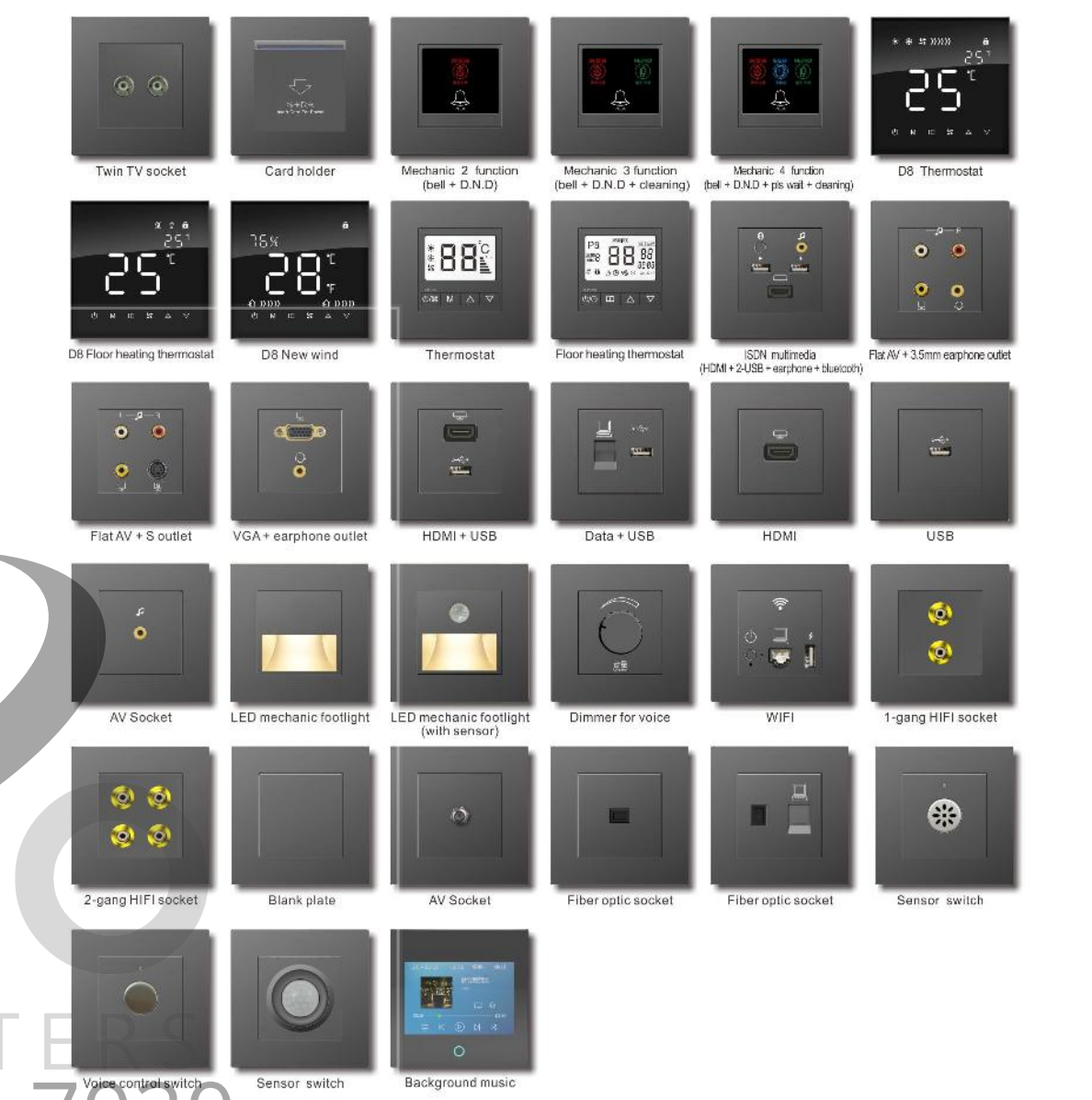


Laffey Electric

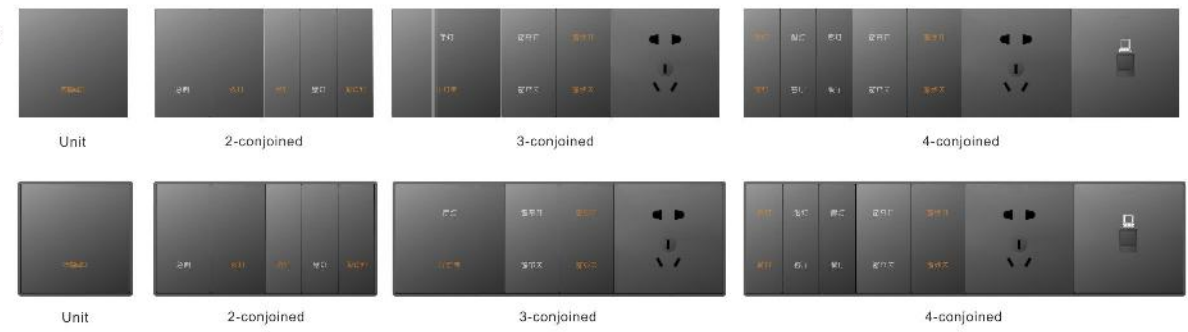
**D8** Macroplate tact switch (Metal)



■ **Others**



■ **Conjoined Switches**



IMEXAO IMPORTERS EXPORTERS  
+(86) 186-8880-7020

Laffey Electric

**D8 Macroplate tact switch** (plastic)

Redefine the macroplate to make for the personality customized.



- Low voltage RS485 communication protocol  
Hotel mode, smart home mode,  
RS485 communication signal output
- 220V High voltage RS485 communication protocol  
Relay + RS485 communication signal output
- 220V High voltage intelligent switch  
(1-way and 2-way)  
Relay + synchronization signal output
- 220V High voltage wireless Zig Bee protocol  
Relay + wireless Zig Bee signal output
- Low voltage IO  
IO signal output

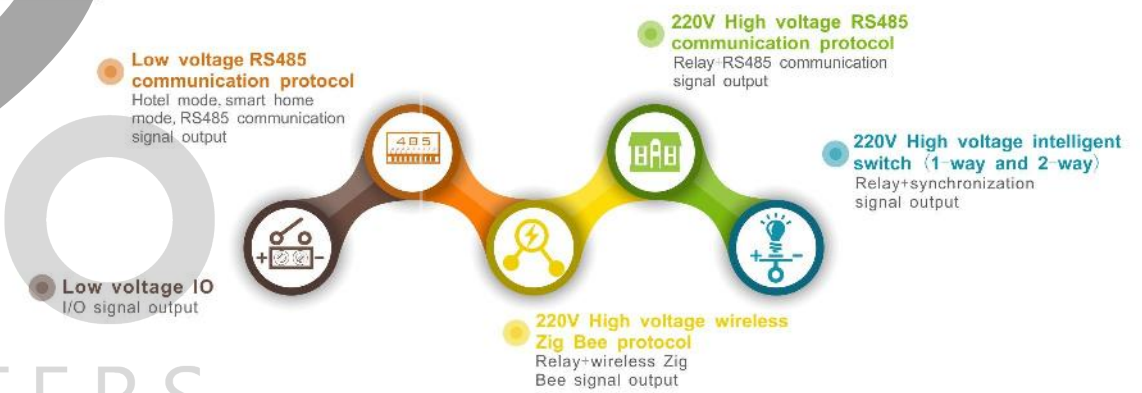
Redefine the macroplate to make for the personality customized

D8 switch plate redefined the old super plate switch, it can customize the status light of feedback and the words of switch. D8 can choose the plate with edge or without edge according the customer situation, and it has metal and plastic materials, so the users possess more options and combination. Also, the function and interest make the home more distinctive, with sense of the future of technology and unique experience.

Macroplate tact switch (with plastic edge)



D8 Series protocol mode

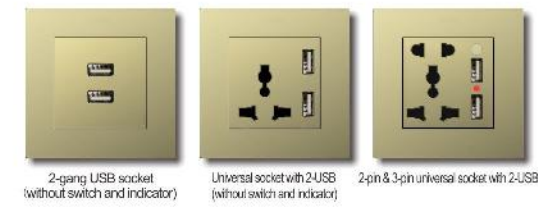
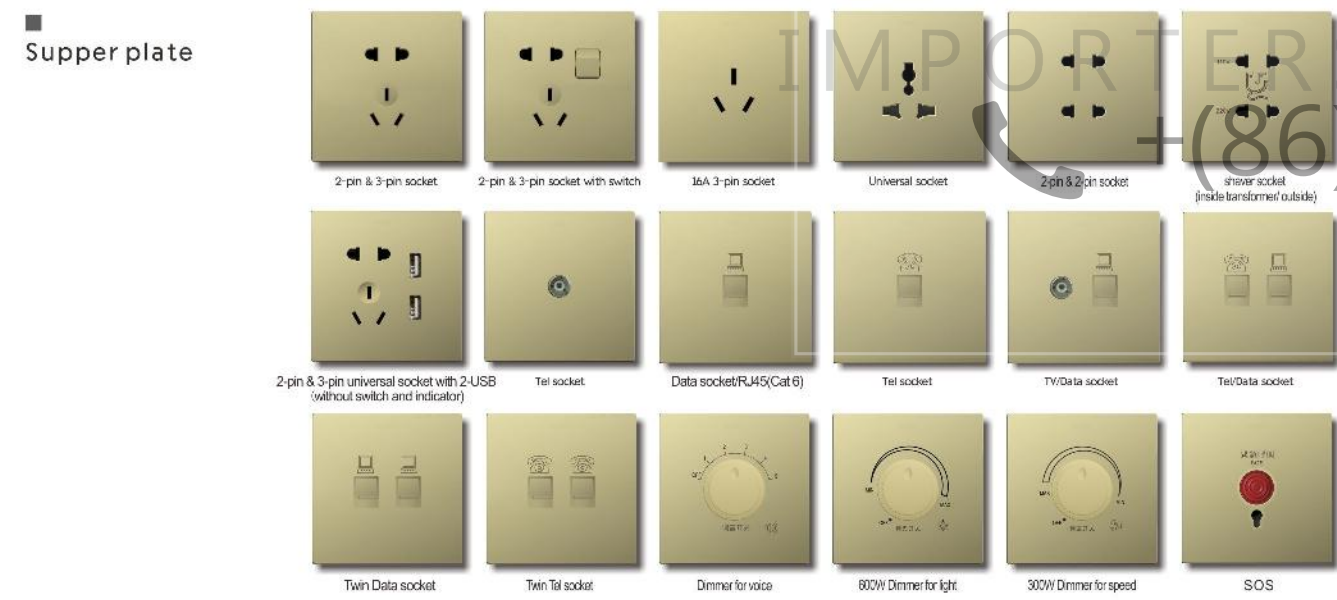
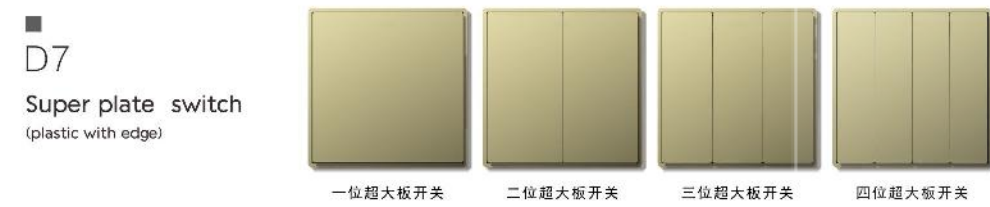
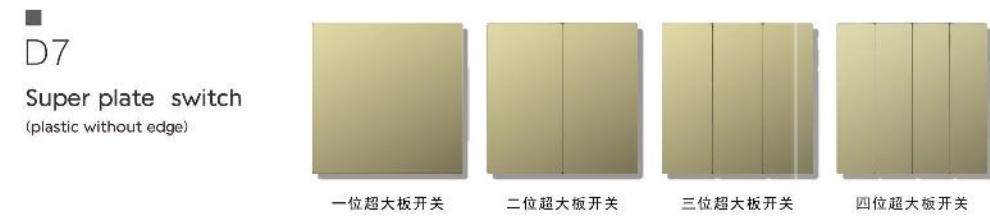
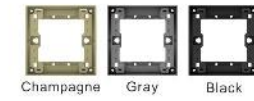


D8 Series standard frame match with module colors



Laffey Electric

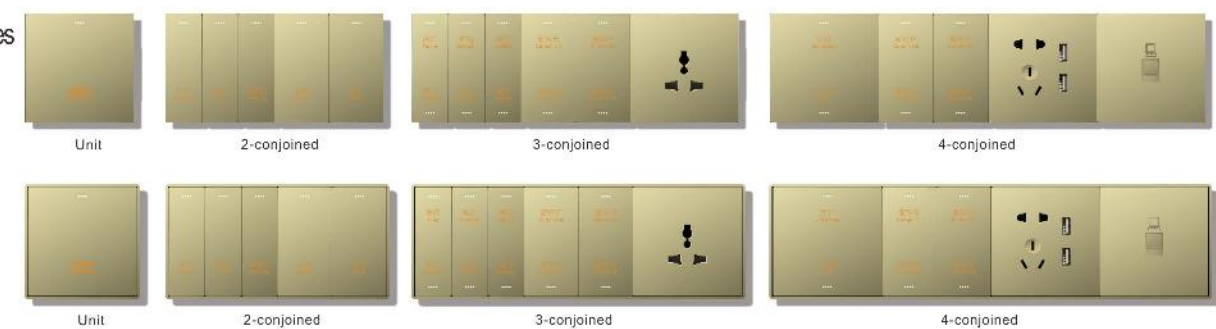
**D8** Macroplate tact switch (Plastic)



**Others**



**Conjoined Switches**



Laffey Electric

**R3 Full Metal**



R3 Full Metal

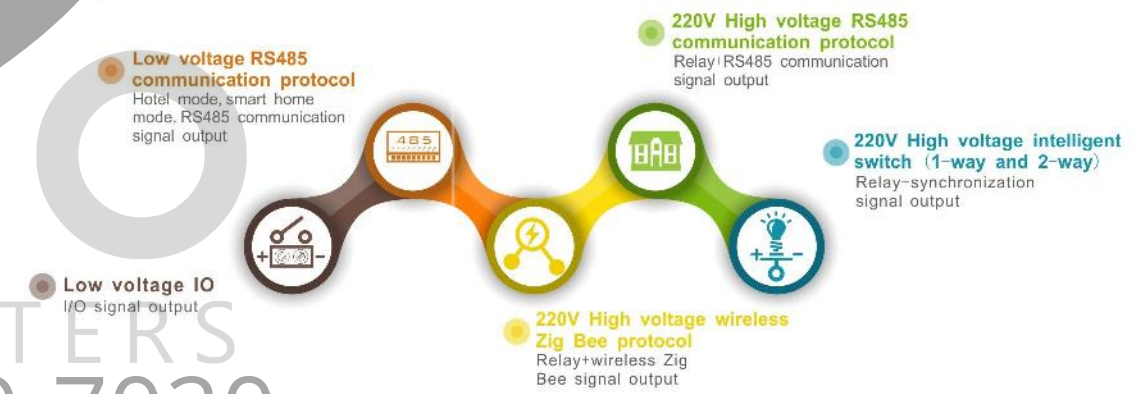
The metal texture and fashion sense are coexist on the product, and the plate is thinner than a mobile phone. It is transmit the extreme aesthetics of the extreme simplicity. Delicate control of the arc angle make R3 series looks very thin in visually, and make it become a perfect achievement.



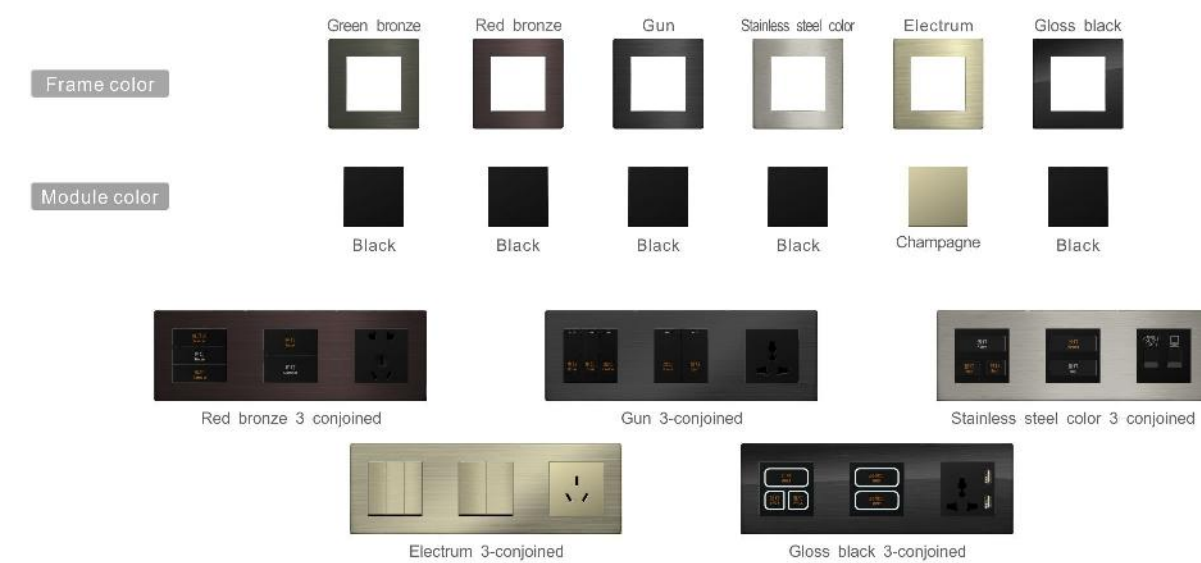
**R3 Full Metal**



R3 Series protocol mode



R3 series standard frame match with module colors





Laffey Electric

**R3** (Metal Plastic)



**G1**  
Silent Switch  
(backlight words, color change)

1-key 1-gang tact switch, 2-key 2-gang tact switch, 3-key 3-gang tact switch, 1-key 2-gang tact switch, 2-key 4-gang tact switch, 3-key 6-gang tact switch

**G7**  
U-Shape Switch  
(with LED circle, backlight words)

1-gang tact switch, 2-gang tact switch, 3-gang tact switch, 4-gang tact switch

**G2**  
Tact Switch  
(with status, backlight words)

1-key 1-gang tact switch, 2-key 2-gang tact switch, 3-key 3-gang tact switch, 1-key 2-gang tact switch, 2-key 4-gang tact switch, 3-key 6-gang tact switch

**G2A**  
Tact Switch  
(with status)

1-key 1-gang tact switch, 2-key 2-gang tact switch, 3-key 3-gang tact switch, 1-key 2-gang tact switch, 2-key 4-gang tact switch, 3-key 6-gang tact switch

**G2B**  
Tact Switch  
(with status, backlight words, without color change)

1-key 1-gang tact switch, 2-key 2-gang tact switch, 3-key 3-gang tact switch, 1-key 2-gang tact switch, 2-key 4-gang tact switch, 3-key 6-gang tact switch

**G6**  
U-Shape Switch  
(backlight words, color change)

1-gang tact switch, 2-gang tact switch, 3-gang tact switch, 4-gang tact switch

**G9K**  
Rocker switch

1-gang tact switch, 2-gang tact switch, 3-gang tact switch, 4-gang tact switch, 1-gang 1-way switch (with luminous article), 2-gang tact switch (with luminous article), 3-gang tact switch (with luminous article), 4-gang tact switch (with luminous article)

1-gang 1-way switch (with metal button), 2-gang tact switch (with metal button), 3-gang tact switch (with metal button), 4-gang tact switch (with metal button)

**High Voltage Sockets**

2-pin/3-pin socket, 2-pin/3-pin universal socket, 2-pin/3-pin socket with switch, 10A 3-pin socket, 16A 3-pin socket, 16A 3-pin socket with switch, universal socket, universal socket with switch

2-pin socket, 2-pin/2-pin socket, 1-gang USB universal socket, 2-gang USB socket (without switch and indicator), 2-pin/3-pin socket with 2-USB (without switch and indicator), Universal socket with 2-USB (without switch and indicator), 2-pin/3-pin universal socket with 2-USB

**Information**

Tel socket, Data socket, Tel socket, TV/Data socket, Tel/Data socket, Twin Data socket, Twin TV socket, Twin Tel socket

RJ45 (Cat 6), 1-gang HIFI socket, 2-gang HIFI socket, Blank plate, Satellite, Fiber optic, Fiber optic+Data socket

**Others**

shaver socket (inside transformer/outside), Card holder, Mechanic 2 function (bell+D, N, D), Mechanic 3 function (bell+D, N, D)+cleaning, Mechanic 4 function (bell+D, N, D)+p/w/cleaning, Thermostat, Floor heating thermostat, ISDN multimedia +DM2/USB+speaker/teletext

Flat AV+3.5mm earphone outlet, Flat AV+S outlet, VGA+earphone outlet, HDMI+USB, Data+USB, HDMI, USB, Single AV Socket

LED mechanic footlight, LED mechanic footlight (with sensor), SOS, Dimmer for voice (27%), Dimmer for voice, WIFI, 300W Dimmer for light, 300W Dimmer for speed

Voice control switch, Voice control switch, Sensor switch, Background music, Speaker phone

**Conjoined Switches**

Unit, 2-conjoined, 3-conjoined, 4-conjoined



Laffey Electric

**T3** Tempered Glass Tact Switch



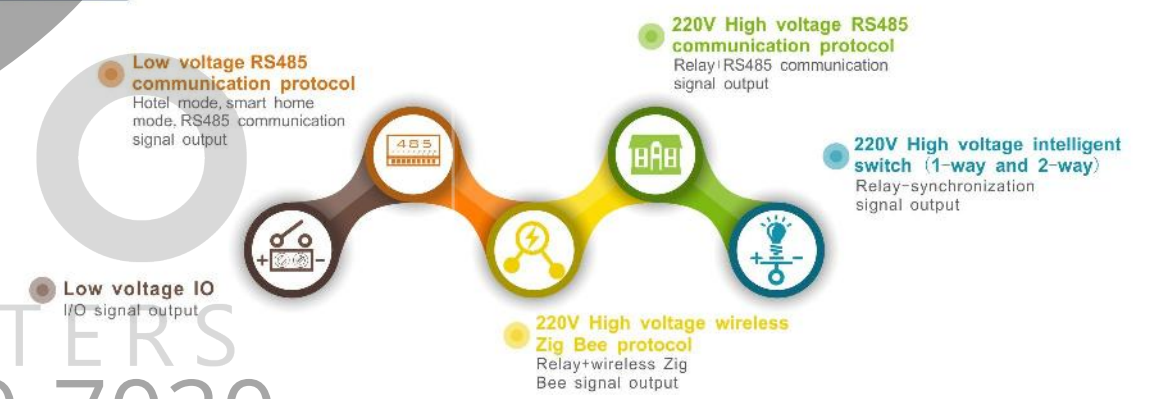
The upgrade of glass screen: stary sky screen. This time, we set the looming blue light on the key of the glass. In the process of touching, we increase the soft voice feedback. It can provide the users more different experience.



T3 Tempered glass tact switch



T3 Tempered glass tact switch

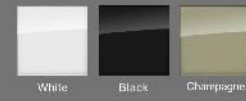


T3 series standard frame match with module colors



Laffey Electric

**T3** Tempered glass tact switch



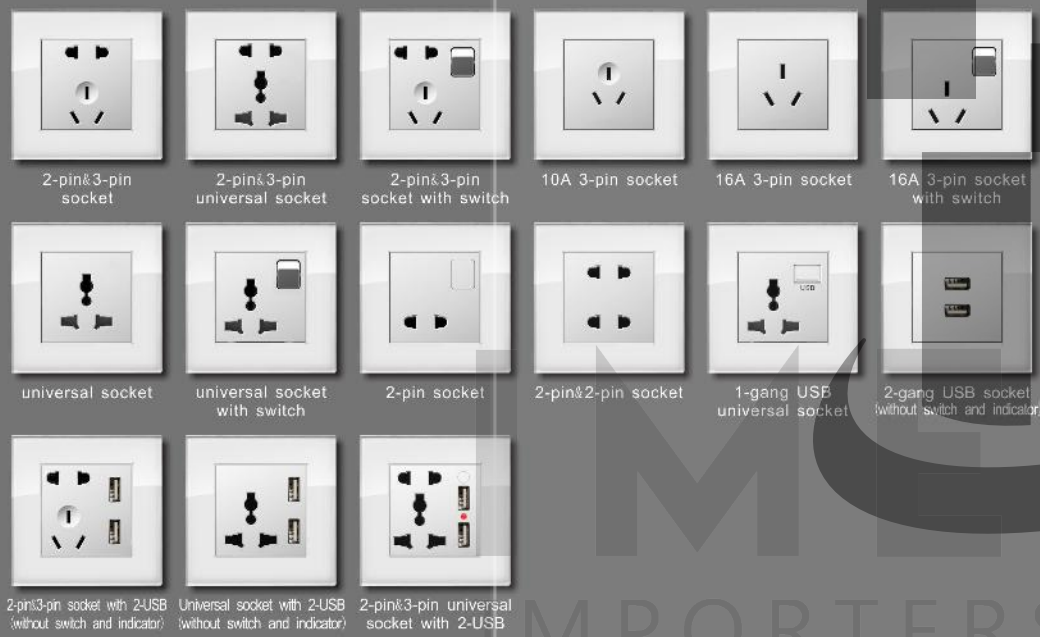
**T3**  
Square With Icon  
(with vibration/voice, blue light)



**T3**  
Line  
(with vibration/voice, blue light)



**High Voltage**  
Sockets



**Information**



**Others**



**Conjoined**  
Switches



IMPORTERS EXPORTERS  
+ (86) 186-8880-7020

Laffey Electric

**T5** Tempered Glass Tact Switch

To touch and image the sky,  
and explore the future

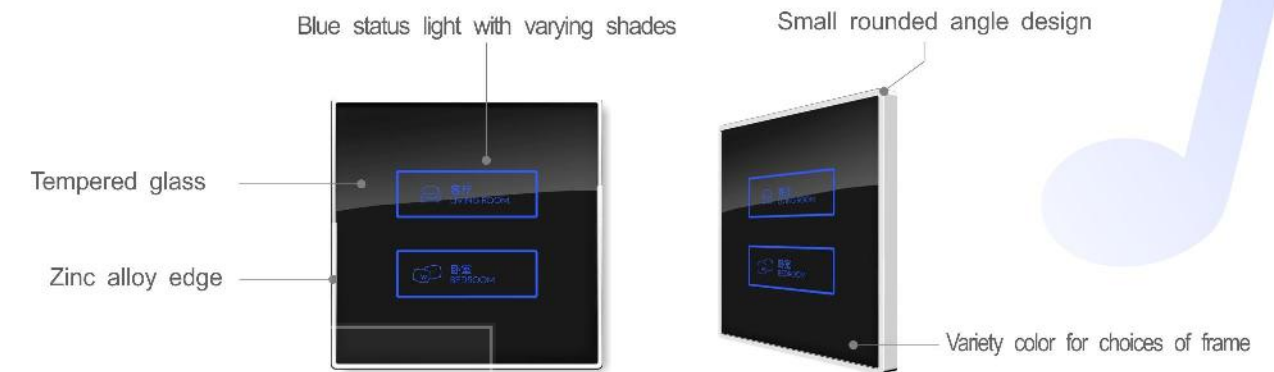


To touch and image the sky,  
and explore the future

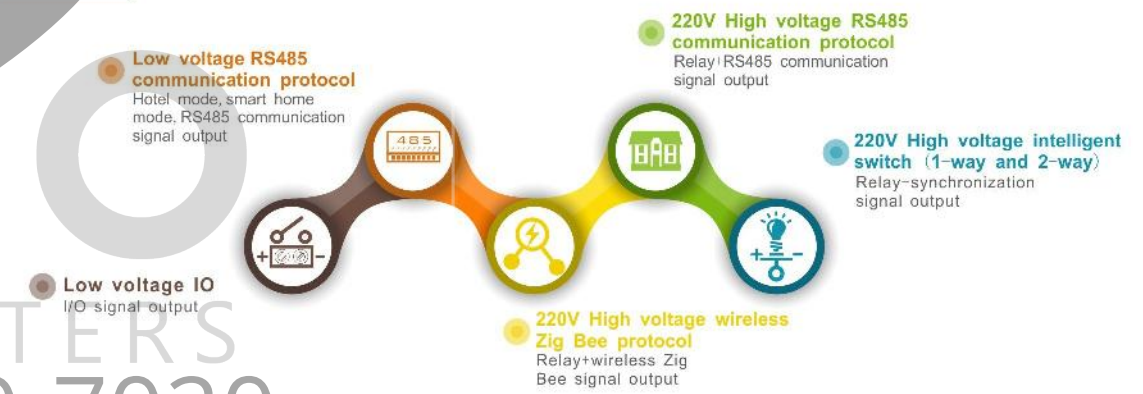
The application of metal edge design, blue light like the sky and the graphic key are all manifest the personal customization. In the process of touching, we increase the soft voice feedback. It can provide the users more different usage experience. Also, it has vary-ing shades of the backlight when you touch the switch. We are always committed to com-bining different materials and functions which bring the users more different experience.



T5 Tempered glass tact switch



T5 Tempered glass tact switch

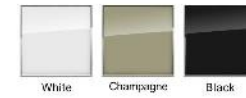


T5 series standard frame match with module colors



Laffey Electric

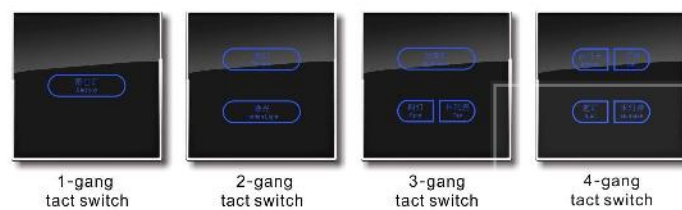
**T5** Tempered glass tact switch



**T5 Square With Icon**  
(with vibration/voice, blue light)



**T5 Ellipse**  
(with vibration/voice, blue light)



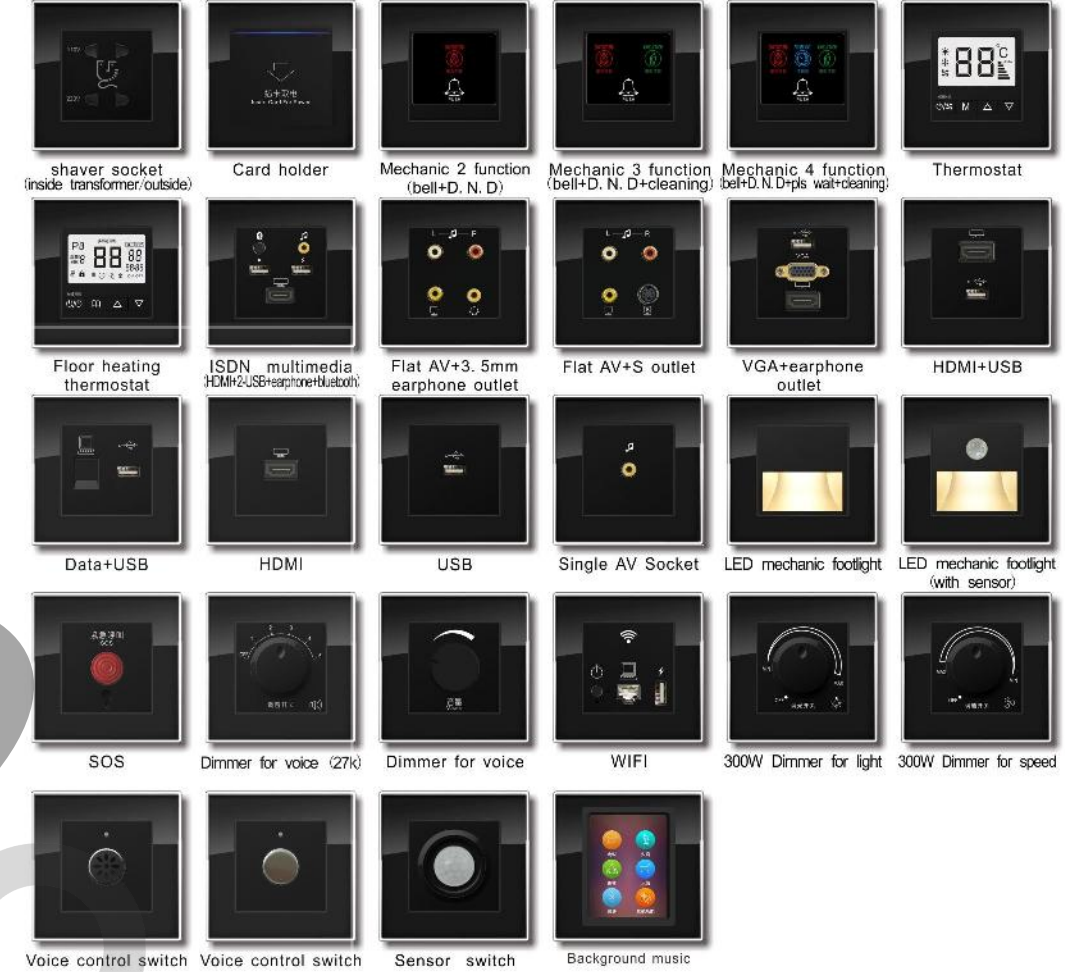
**High Voltage Sockets**



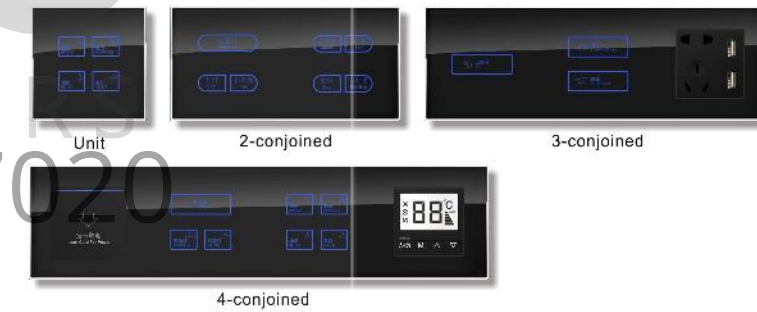
**Information**



**Others**



**Conjoined Switches**



IMEXAO IMPORTERS EXPORTERS (86) 186-8880-7020

### Laffey Electric

## V8-Z6CNC Metal Edge

CNC metal cutting

Anti-dazzling backlight design

White circle

10000 times endurance test

Radar sensors wake-up function

Low voltage RS485 communication protocol  
Hotel mode smart home mode  
RS485 communication signal output

220V High voltage RS485 communication protocol  
Relay-RS485 communication signal output

220V High voltage intelligent switch  
'1-way and 2-way'  
Relay synchronization signal output

Low voltage I/O  
I/O signal output

### Using Radar Gesture Sensing To Wake-Up The Backlight

#### Radar gesture sensing of control backlight

The backlight words will light up when users wave their hands in front of the plate. And it will turn off automatic when the plate have not sense the body gesture during the time have set before.

#### LED circle design

This is a humanization design of LED circle of feedback from the status of the switch. When the light is turn on, the LED circle will display white color, and the LED circle will close when the light is off. So, you can clearly identify which light is on and off.

### V9-Z Metal Edge

It is apply the precision pattern which is manifest elegant style.

CNC metal cutting

Tact switch

Anti-dazzling backlight design

White circle

10000 times endurance test

Low voltage RS485 communication protocol  
Hotel mode smart home mode  
RS485 communication signal output

220V High voltage RS485 communication protocol  
Relay-RS485 communication signal output

220V High voltage intelligent switch  
'1-way and 2-way'  
Relay synchronization signal output

Low voltage I/O  
I/O signal output

### Three-in-one of new wind, thermostat and floor heating.

### Fashion Dazzle Rotary Thermosta

It can increase unlimited color to your life

#### Situational Dazzle Circle

Different modes emit the light of corresponding colors through to choose the control modes. It have four color modes: ventilation is green, refrigeration is blue, heating is red, dehumidification is white.

#### Rotary Thermoregulation

It is convenience and efficiency that rotary thermostat can use the hand to rotate the button to control the temperature, the same as control the voice.

#### Timing function

According the usage habit to set the timing on/off, bring more convenient and comfortable experience to customers.

#### Three-in-one master switch

Three-in-one of new wind, thermostat and floor heating. It can be used individually and two or three combination, also can combine to switch plate, forming a unification style.

New wind function

Thermostat function

Floor heating function

Situational dazzle circle

Rotary thermoregulation

Timing function

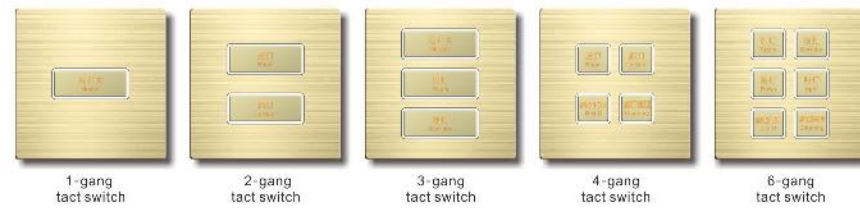
Temperature monitoring

Laffey Electric

V8-Z6 CNC Metal Edge

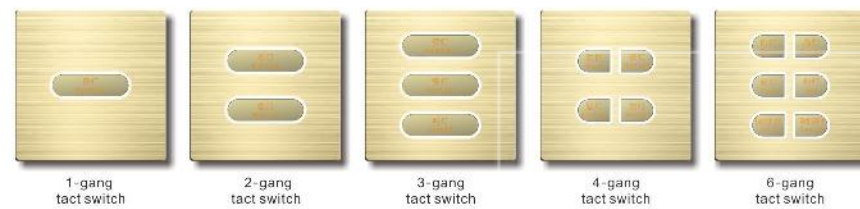
V8-Z6

Square switch with LED circle  
Square (LED circle)  
(backlight words)



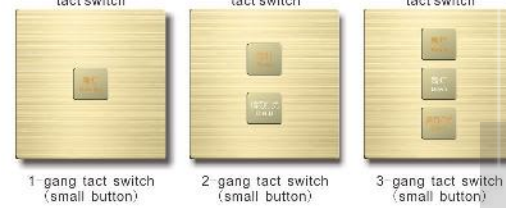
V8-Z6

Oval switch with LED circle  
Oval (LED circle)  
(backlight words)

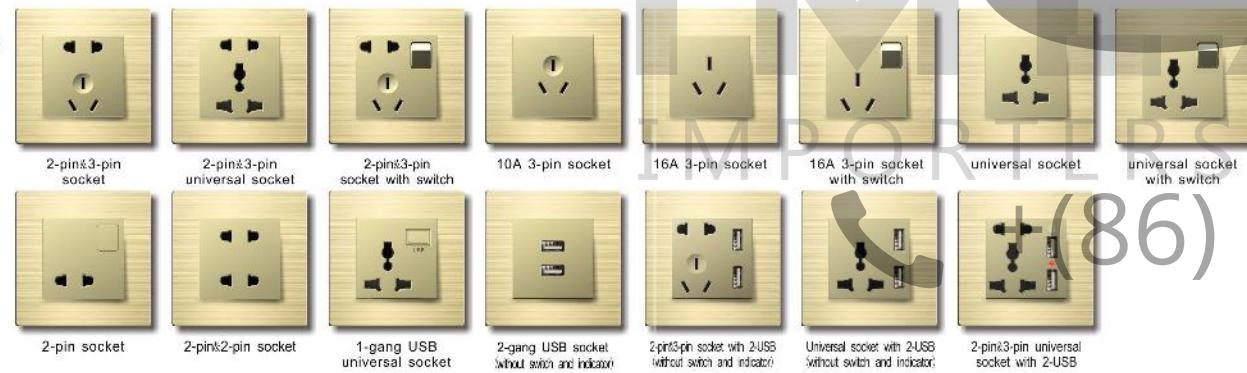


V8-Z6

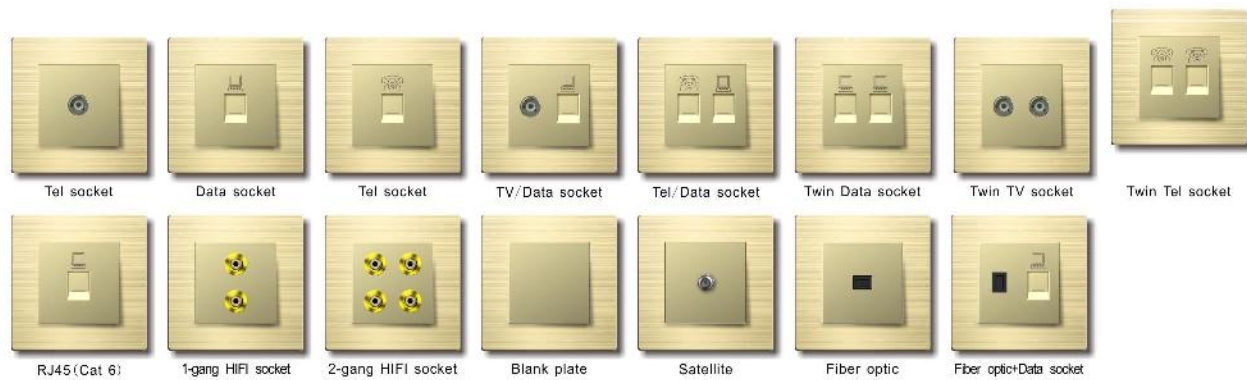
Square switch without LED circle  
Square (without LED circle)  
(backlight words) (color change)



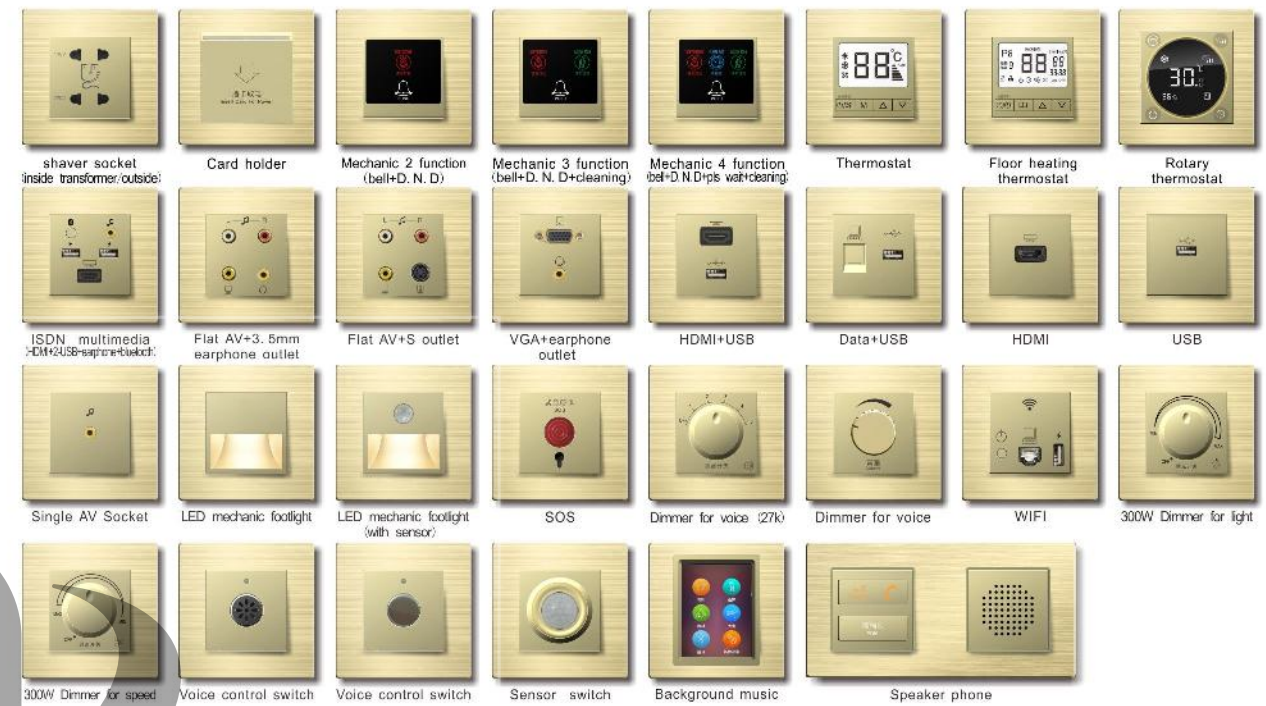
High voltage sockets



Information



Others



Conjoined Switches



V8-Z6 series standard frame match with module colors  
(86) 186-8880-7020



The module of V8-Z6 CNC metal series switch only have V8-Z6 square with LED circle, square without LED circle and ellipse with LED circle.

Laffey Electric

V9-Z Metal Edge

**V9-Z**  
Square switch with LED circle  
Square (LED circle) (backlight words)

1-gang tact switch, 2-gang tact switch, 3-gang tact switch, 4-gang tact switch, 6-gang tact switch

**V9-Z**  
Oval switch with LED circle  
Oval (LED circle) (backlight words)

1-gang tact switch, 2-gang tact switch, 3-gang tact switch, 4-gang tact switch, 6-gang tact switch

**V9-Z**  
Square switch without LED circle  
Square (without LED circle) (backlight words) (color change)

1-gang tact switch, 2-gang tact switch, 3-gang tact switch, 4-gang tact switch, 6-gang tact switch

1 gang tact switch (small button), 2 gang tact switch (small button), 3 gang tact switch (small button)

**High voltage sockets**

2-pin3-pin socket, 2-pin3-pin universal socket, 2-pin3-pin socket with switch, 10A 3-pin socket, 16A 3-pin socket, 16A 3-pin socket with switch, universal socket, universal socket with switch, 2-pin socket, 2-pin2-pin socket, 1-gang USB universal socket, 2-gang USB socket without switch and indicator, 2-pin3-pin socket with 2USB without switch and indicator, Universal socket with 2USB without switch and indicator, 2-pin3-pin universal socket with 2-USB

**Information**

RJ45 (Cat 6), 1-gang HIFI socket, 2-gang HIFI socket, Blank plate, Satellite, Fiber optic, Fiber optic>Data socket, Tel socket, Data socket, Tel socket, TV/Data socket, Tel/Data socket, Twin Data socket, Twin TV socket, Twin Tel socket

Champagne, Ice gray, Gun, Red bronze, Golden

**Others**

shaver socket (inside transformer/outside), Card holder, Mechanic 2 function (bell+D, N, D), Mechanic 3 function (bell+D, N, D+clearing), Mechanic 4 function (bell+D, N, D+clearing), Thermostat, Floor heating thermostat, Rotary thermostat, ISDN multimedia (Data+USB+speaker+fax), Flat AV+3.5mm earphone outlet, Flat AV+S outlet, VGA+earphone outlet, HDMI+USB, Data+USB, HDMI, USB, Single AV Socket, LED mechanic footlight, LED mechanic footlight (with sensor), SOS, Dimmer for voice (27k), Dimmer for voice, WIFI, 300W Dimmer for light, 300W Dimmer for speed, Voice control switch, Voice control switch, Sensor switch, Background music, Speaker phone

**Conjoined Switches**

Unit, 2-conjoined, 3-conjoined, 4-conjoined

V9-Z series standard frame match with module colors

Frame color: Champagne, Gun, Red bronze, Golden, Ice gray

Module color: Black, Black, Black, Golden, Ice gray

Champagne 3-conjoined, Gun 3-conjoined, Red bronze 3-conjoined, Golden 3-conjoined, Ice gray 3-conjoined

The module of V9 Z metal series switch only have V9 Z square with LED circle, square without LED circle and ellipse with LED circle.



### Laffey Electric

## R7CNC Metal Edge

- Low voltage RS485 communication protocol, HMI mode, smart home mode, RS485 communication signal output
- 220V High voltage RS485 communication protocol, Relay/RS485 communication signal output
- 220V High voltage intelligent switch, 1-way and 2-way, Relay-synchronization signal output
- 220V High voltage wireless Zig Bee protocol, Relay/wireless Zig Bee signal output
- Low voltage I/O I/O signal output



### Rotary Dimmer Of Light

The solution of switch of the head of the bed is exclusive create for the bedroom

- ▶ Rotary dimmer of light can combine with other switch
- ▶ Switch interconnection can be set
- ▶ The status LED circle with varying shades, and the LED circle will be brighter when the light is brighter.
- ▶ The light controlled by the button can turn on and off.

### V9A Metal Edge

Metal mosaic, casting boutique model

- Low voltage RS485 communication protocol, HMI mode, smart home mode, RS485 communication signal output
- 220V High voltage RS485 communication protocol, Relay/RS485 communication signal output
- 220V High voltage intelligent switch, 1-way and 2-way, Relay-synchronization signal output
- Low voltage I/O I/O signal output

### Mechanic Footlight

It is install in bedroom, bathroom, and stairs, etc. Humanized function setting of soft light match modern concise style and practical kernel, which is convenient the night activities, and it is quiet and not disturb other people, bring comfortable life experience to the users.

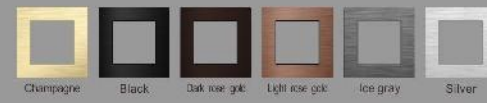


### Speaker Phone

41/42 PRODUCT CATALOGUES

Laffey Electric

R7 CNC Metal Edge



**G1 Silent Switch**  
(backlight words, color change)  
1-key 1-gang tact switch, 2-key 2-gang tact switch, 3-key 3-gang tact switch, 1-key 2-gang tact switch, 2-key 4-gang tact switch, 3-key 6-gang tact switch

**G7 U-Shape Switch**  
(with LED circle, backlight words)  
1-gang tact switch, 2-gang tact switch, 3-gang tact switch, 4-gang tact switch

**G2 Tact Switch**  
(with status, backlight words)  
1-key 1-gang tact switch, 2-key 2-gang tact switch, 3-key 3-gang tact switch, 1-key 2-gang tact switch, 2-key 4-gang tact switch, 3-key 6-gang tact switch

**G2A Tact Switch**  
(with status)  
1-key 1-gang tact switch, 2-key 2-gang tact switch, 3-key 3-gang tact switch, 1-key 2-gang tact switch, 2-key 4-gang tact switch, 3-key 6-gang tact switch

**G6 U Shape Switch**  
(backlight words, color change)  
1-gang tact switch, 2-gang tact switch, 3-gang tact switch, 4-gang tact switch

**G9K Rocker switch**  
1-gang tact switch, 2-gang tact switch, 3-gang tact switch, 4-gang tact switch, 1-gang 1-way switch (with luminous article), 2-gang tact switch (with luminous article), 3-gang tact switch (with luminous article), 4-gang tact switch (with luminous article)

**High Voltage Sockets**  
2-pin 3-pin socket, 2-pin 3-pin universal socket, 2-pin 3-pin socket with switch, 10A 3-pin socket, 16A 3-pin socket, 16A 3-pin socket with switch, universal socket, universal socket with switch, 2-pin socket, 2-pin 2-pin socket, 1-gang USB universal socket, 2-gang USB socket without switch and indicator, 2-pin 3-pin socket with 2-USB without switch and indicator, Universal socket with 2-USB without switch and indicator, 2-pin 3-pin universal socket with 2-USB

**Information**  
Tel socket, Data socket, Tel socket, TV/Data socket, Tel/Data socket, Twin Data socket, Twin TV socket, Twin Tel socket, RJ45 (Cat 6), 1-gang HIFI socket, 2-gang HIFI socket, Blank plate, Satellite, Fiber optic, Fiber optic+Data socket

**Others**  
shaver socket (inside transformer/outside), Card holder, Mechanic 2 function (bell+D, N, D), Mechanic 3 function (bell+D, N, D+cleaning), Mechanic 4 function (bell+D, N, D+ps+cleaning), Thermostat, Floor heating thermostat, ISDN multimedia (DVI+USB+spice+hdmi), Flat AV+3.5mm telephone outlet, Flat AV+S outlet, VGA+earphone outlet, HDMI+USB, Data+USB, HDMI, USB, Single AV Socket, LED mechanic footlight, LED mechanic footlight (with sensor), SOS, Dimmer for voice (27k), Dimmer for voice, WIFI, 300W Dimmer for light, 300W Dimmer for speed, Voice control switch, Voice control switch, Sensor switch, Background music, Speaker phone

**Conjoined Switches**  
Unit, 2-conjoined, 3-conjoined, 4-conjoined, 5-conjoined

R7 series standard frame match with module colors

**Frame color**  
Champagne, Black, Dark rose gold, Light rose gold, Ice gray, Silver

**Module color**  
Black, Black, Black, Black, Ice gray, Silver

Champagne 3 conjoined, Black 3-conjoined, Dark rose gold 3 conjoined, Light rose gold 3-conjoined, Ice gray 3-conjoined

The module of R7 CNC metal series switch only have G1, G2, G6, G7

Laffey Electric

**V9A** Metal Edge



**G1**  
Silent Switch  
(backlight words, color change)

**G7**  
U-Shape Switch  
(with LED circle, backlight words)

**G2**  
Tact Switch  
(with status, backlight words)

**G2A**  
Tact Switch  
(with status)

**G6**  
U Shape Switch  
(backlight words, color change)

**G9K**  
Rocker switch

**High Voltage Sockets**

**Information**

1-key 1-gang tact switch, 2-key 2-gang tact switch, 3-key 3-gang tact switch, 1-key 2-gang tact switch, 2-key 4-gang tact switch, 3-key 6-gang tact switch

1-gang tact switch, 2-gang tact switch, 3-gang tact switch, 4-gang tact switch

1-key 1-gang tact switch, 2-key 2-gang tact switch, 3-key 3-gang tact switch, 1-key 2-gang tact switch, 2-key 4-gang tact switch, 3-key 6-gang tact switch

1-key 1-gang tact switch, 2-key 2-gang tact switch, 3-key 3-gang tact switch, 1-key 2-gang tact switch, 2-key 4-gang tact switch, 3-key 6-gang tact switch

1-gang tact switch, 2-gang tact switch, 3-gang tact switch, 4-gang tact switch

1-gang tact switch, 2-gang tact switch, 3-gang tact switch, 4-gang tact switch, 1-gang 1-way switch (with luminous article), 2-gang tact switch (with luminous article), 3-gang tact switch (with luminous article), 4-gang tact switch (with luminous article)

2-pin 3-pin socket, 2-pin 3-pin universal socket, 2-pin 3-pin socket with switch, 10A 3-pin socket, 16A 3-pin socket, 16A 3-pin socket with switch, universal socket, universal socket with switch

2-pin socket, 2-pin 2-pin socket, 1-gang USB universal socket, 2-gang USB socket without switch and indicator, 2-pin 3-pin socket with 2-USB without switch and indicator, Universal socket with 2-USB without switch and indicator, 2-pin 3-pin universal socket with 2-USB

Tel socket, Data socket, Tel socket, TV/Data socket, Tel/Data socket, Twin Data socket, Twin TV socket, Twin Tel socket

RJ45 (Cat 6), 1-gang HIFI socket, 2-gang HIFI socket, Blank plate, Satellite, Fiber optic, Fiber optic+Data socket

**Others**

shaver socket (inside transformer/outside), Card holder, Mechanic 2 function (bell+D, N, D), Mechanic 3 function (bell+D, N, D+cleaning), Mechanic 4 function (bell+D, N, D+cleaning), Thermostat, Floor heating thermostat, ISDN multimedia (RJ45+RJ45+RJ45+RJ45), Flat AV+3.5mm telephone switch, Flat AV+S outlet, VGA+earphone outlet, HDMI+USB, Data+USB, HDMI, USB, Single AV Socket, LED mechanic footlight, LED mechanic footlight (with sensor), SOS, Dimmer for voice (27k), Dimmer for voice, WIFI, 300W Dimmer for light, 300W Dimmer for speed, Voice control switch, Voice control switch, Sensor switch, Background music, Speaker phone

**Conjoined Switches**

Unit, 2-conjoined, 3-conjoined, 4-conjoined

V9A series standard frame match with module colors

**Frame color**

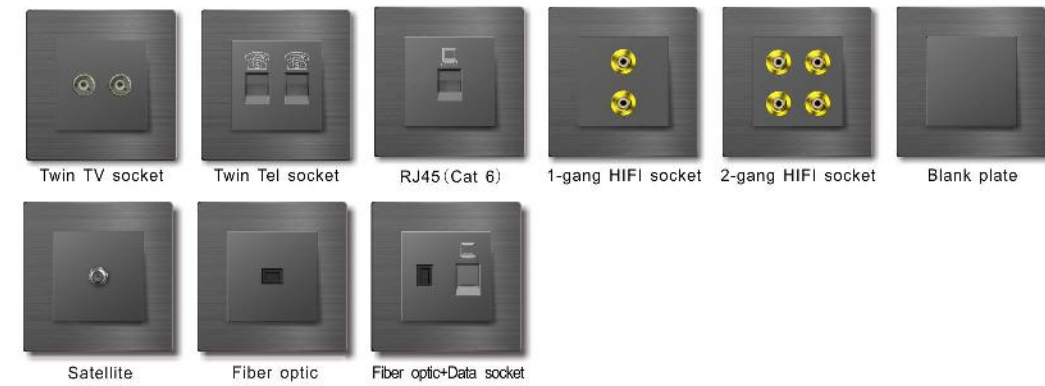
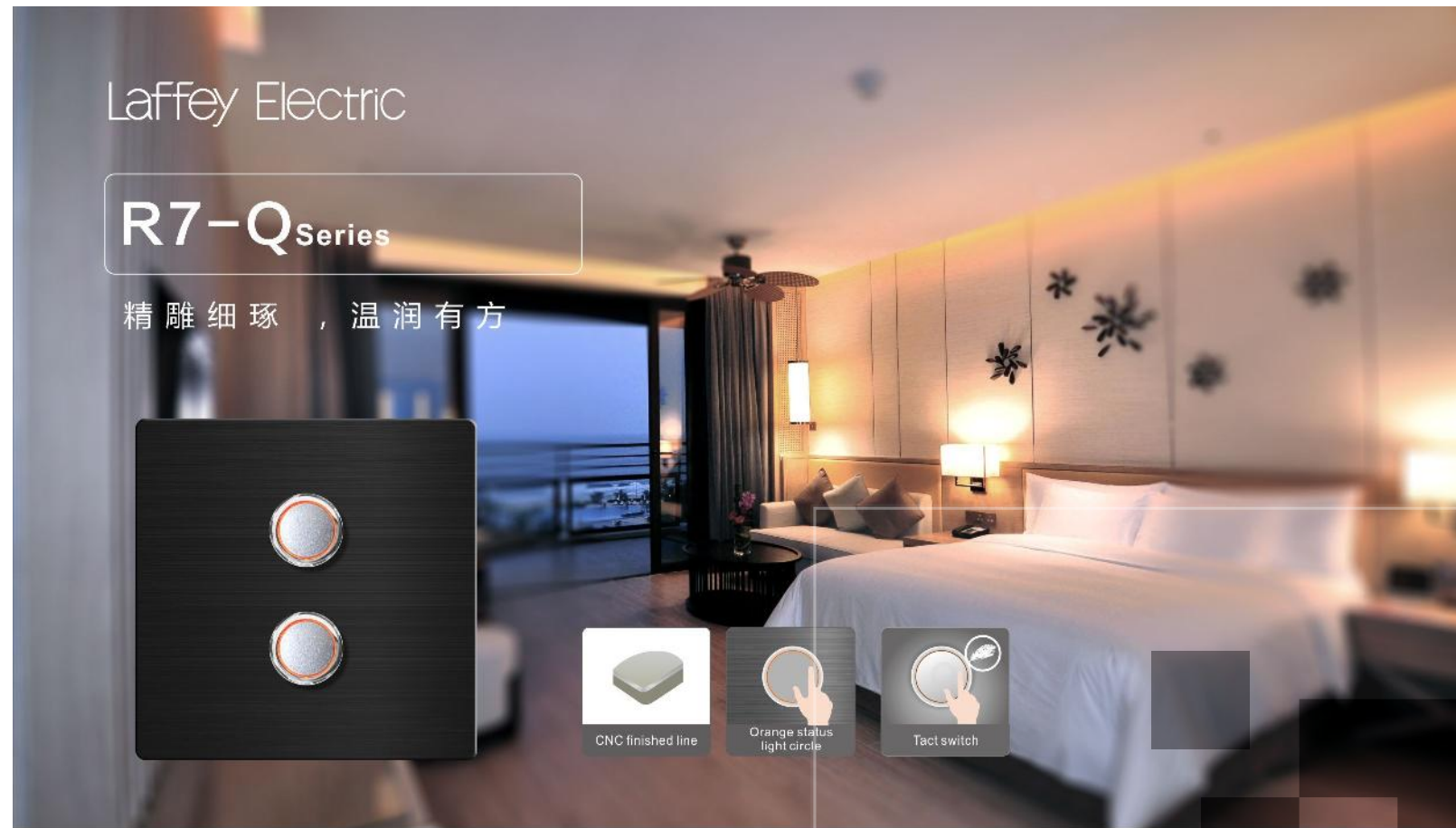
Champagne, Gun, Red bronze, Golden, Gray

**Module color**

Black, Black, Black, Golden, Gray

Champagne 3-conjoined, Gun 3-conjoined, Red bronze 3-conjoined, Golden 3-conjoined, Gray 3-conjoined

The module of V9A metal series switch only have G1, G2, G6, G7



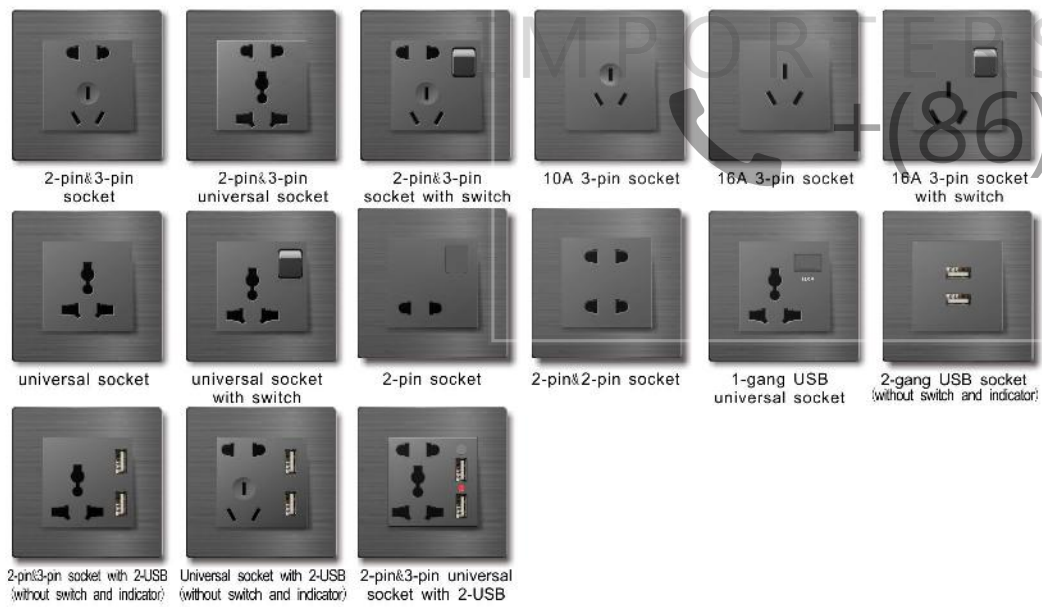
Others



R7-Q  
Round button switch  
Orange light



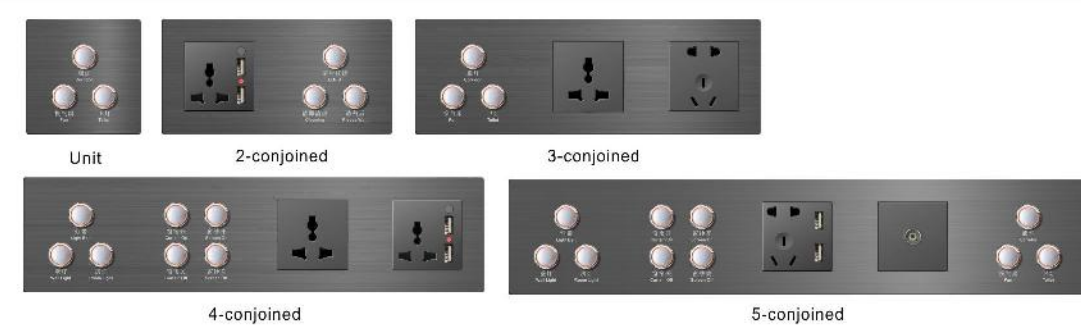
High Voltage  
Sockets

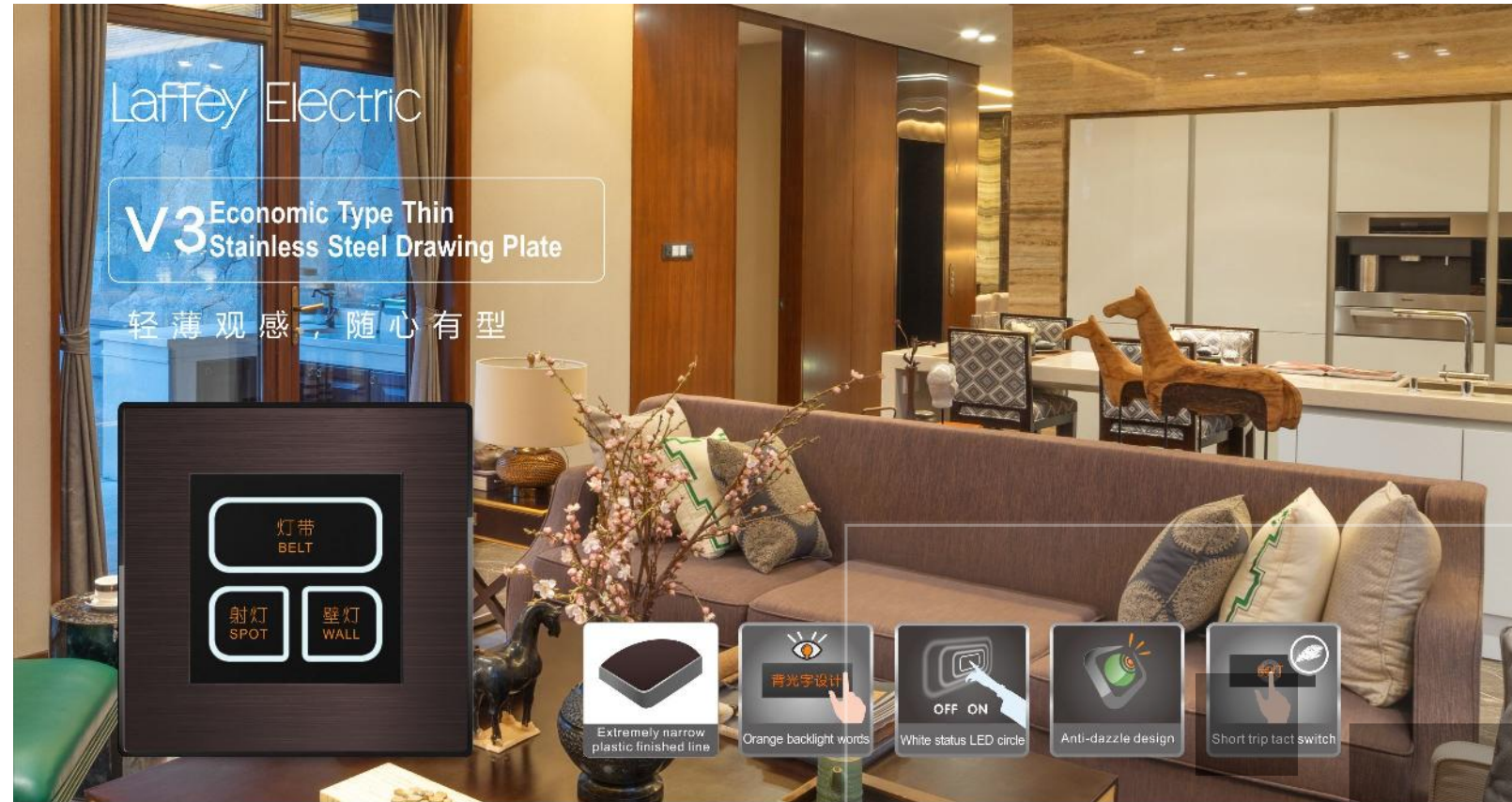


Information



Conjoined  
Switches





- 1. Communication protocol: RS485 communication protocol; RS485 communication and output
- 2. High voltage intelligent switch: 220V High voltage intelligent switch; 4-way (and 3-way) Relay synchronization; RS485 communication; signal output
- 3. 220V High voltage wireless Zig Bee: 220V High voltage wireless Zig Bee protocol; Relay wireless Zig Bee; signal output
- 4. I/O signal output: 1-way (and 2-way) I/O signal output

**G1**  
Silent Switch  
(backlight words, color change)

1-key 1-gang tact switch, 2-key 2-gang tact switch, 3-key 3-gang tact switch, 1-key 2-gang tact switch, 2-key 4-gang tact switch, 3-key 6-gang tact switch

**G7**  
U-Shape Switch  
(with LED circle, backlight words)

1-gang tact switch, 2-gang tact switch, 3-gang tact switch, 4-gang tact switch

**G2**  
Tact Switch  
(with status, backlight words)

1-key 1-gang tact switch, 2-key 2-gang tact switch, 3-key 3-gang tact switch, 1-key 2-gang tact switch, 2-key 4-gang tact switch, 3-key 6-gang tact switch

**G2A**  
Tact Switch  
(with status)

1-key 1-gang tact switch, 2-key 2-gang tact switch, 3-key 3-gang tact switch, 1-key 2-gang tact switch, 2-key 4-gang tact switch, 3-key 6-gang tact switch

**G6**  
U-Shape Switch  
(backlight words, color change)

1-gang tact switch, 2-gang tact switch, 3-gang tact switch, 4-gang tact switch

**G9K**  
Rocker switch

1-gang tact switch, 2-gang tact switch, 3-gang tact switch, 4-gang tact switch, 1-gang 1-way switch (with luminous article), 2-gang tact switch (with luminous article), 3-gang tact switch (with luminous article), 4-gang tact switch (with luminous article)



**High Voltage Sockets**

2-pin&3-pin socket, 2-pin&3-pin universal socket, 2-pin&3-pin socket with switch, 10A 3-pin socket, 16A 3-pin socket, 16A 3-pin socket with switch, universal socket, universal socket with switch, 2-pin socket, 2-pin&2-pin socket, 1-gang USB universal socket, 2-gang USB socket without switch and indicator, 2-pin&3-pin socket with 2-USB without switch and indicator, Universal socket with 2-USB without switch and indicator, 2-pin&3-pin universal socket with 2-USB

**Information**

Tel socket, Data socket, Tel socket, TV/Data socket, Tel/Data socket, Twin Data socket, Twin TV socket, Twin Tel socket, RJ45 (Cat 6), 1-gang HIFI socket, 2-gang HIFI socket, Blank plate, Satellite, Fiber optic, Fiber optic+Data socket

**Others**

shaver socket (with transformer, public), Card holder, Mechanic 2 function (bell-D, N, D), Mechanic 3 function (bell-D, N, D, cleaning), Mechanic 4 function (bell-D, N, D, Dis, waterproof), Thermostat, Floor heating thermostat, ISDN multimedia (with USB, speaker, tact), Flat AV+3 5mm earphone outlet, Flat AV+S outlet, VGA+earphone outlet, HDMI+USB, Data+USB, HDMI, USB, Single AV Socket, LED mechanic footlight, LED mechanic footlight (with sensor), SOS, Dimmer for voice (27%), Dimmer for voice, WIFI, 300W Dimmer for light, 300W Dimmer for speed, Voice control switch, Voice control switch, Sensor switch, Background music, Speaker phone

**Conjoined Switches**

Unit, 2-conjoined, 3-conjoined, 4-conjoined, 5-conjoined



- 485 communication protocol Home mode smart home mode RS485 communication signal output
- 485 communication protocol Home mode smart home mode RS485 communication signal output
- 220V High voltage antenagm switch (1-way and 2-way) Relay synchronization signal output
- 220V High voltage wireless Zig Bee protocol Relay wireless Zig Bee signal output
- 1/O signal output

**G1 Silent Switch**  
(backlight words, color change)

1-key 1-gang tact switch, 2-key 2-gang tact switch, 3-key 3-gang tact switch, 1-key 2-gang tact switch, 2-key 4-gang tact switch, 3-key 6-gang tact switch

**G7 U-Shape Switch**  
(with LED circle, backlight words)

1-gang tact switch, 2-gang tact switch, 3-gang tact switch, 4-gang tact switch

**G2 Tact Switch**  
(with status, backlight words)

1-key 1-gang tact switch, 2-key 2-gang tact switch, 3-key 3-gang tact switch, 1-key 2-gang tact switch, 2-key 4-gang tact switch, 3-key 6-gang tact switch

**G2A Tact Switch**  
(with status)

1-key 1-gang tact switch, 2-key 2-gang tact switch, 3-key 3-gang tact switch, 1-key 2-gang tact switch, 2-key 4-gang tact switch, 3-key 6-gang tact switch

**G6 U-Shape Switch**  
(backlight words, color change)

1-gang tact switch, 2-gang tact switch, 3-gang tact switch, 4-gang tact switch

**G9K Rocker switch**

1-gang tact switch, 2-gang tact switch, 3-gang tact switch, 4-gang tact switch, 1-gang 1-way switch (with luminous article), 2-gang tact switch (with luminous article), 3-gang tact switch (with luminous article), 4-gang tact switch (with luminous article)



**High Voltage Sockets**

2-pin+3-pin socket, 2-pin+3-pin universal socket, 2-pin+3-pin socket with switch, 10A 3-pin socket, 16A 3-pin socket, 16A 3-pin socket with switch, universal socket, universal socket with switch, 2-pin socket, 2-pin+2-pin socket, 1-gang USB universal socket, 2-gang USB socket (without switch and indicator), 2-pin+3-pin socket with 2-USB (with switch and indicator), Universal socket with 2-USB (without switch and indicator), 2-pin+3-pin universal socket with 2-USB

**Information**

Tel socket, Data socket, Tel socket, TV/Data socket, Tel/Data socket, Twin Data socket, Twin TV socket, Twin Tel socket, RJ45 (Cat 6), 1-gang HIFI socket, 2-gang HIFI socket, Blank plate, Satellite, Fiber optic, Fiber optic+Data socket

**Others**

shaver socket (inside transformer outside), Card holder, Mechanic 2 function (bell+D, N, D), Mechanic 3 function (bell+D, N, D+cleaning), Mechanic 4 function (bell+D, N, D+ps+hair-curling), Thermostat, Floor heating thermostat, ISDN multimedia, Flat AV+3.5mm earphone outlet, Flat AV+S outlet, VGA+earphone outlet, HDMI+USB, Data+USB, HDMI, USB, Single AV Socket, LED mechanic footlight, LED mechanic footlight (with sensor), SOS, Dimmer for voice (27%), Dimmer for voice, WIFI, 300W Dimmer for light, 300W Dimmer for speed, Voice control switch, Voice control switch, Sensor switch, Background music, Speaker phone

**Conjoined Switches**

Unit, 2-conjoined, 3-conjoined, 4-conjoined, 5-conjoined



**A6 Plastic Series**

The colorful life,  
Not only in the day-to-day



- Communication protocol: RS485 communication signal output
- Relay: RS485 communication signal output
- 220V High voltage intelligent switch: 1-way (and 2-way) Relay synchronization signal output
- 220V High voltage wireless Zig Bee protocol Relay wireless Zig Bee signal output
- Power voltage: 10 I/O signal output

**G1 Silent Switch** (backlight words, color change)  
1-key 1-gang tact switch, 2-key 2-gang tact switch, 3-key 3-gang tact switch, 1-key 2-gang tact switch, 2-key 4-gang tact switch, 3-key 6-gang tact switch

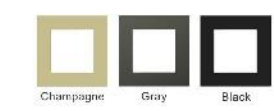
**G7 U Shape Switch** (with LED circle, backlight words)  
1-gang tact switch, 2-gang tact switch, 3-gang tact switch, 4-gang tact switch

**G2 Tact Switch** (with status, backlight words)  
1-key 1-gang tact switch, 2-key 2-gang tact switch, 3-key 3-gang tact switch, 1-key 2-gang tact switch, 2-key 4-gang tact switch, 3-key 6-gang tact switch

**G2A Tact Switch** (with status)  
1-key 1-gang tact switch, 2-key 2-gang tact switch, 3-key 3-gang tact switch, 1-key 2-gang tact switch, 2-key 4-gang tact switch, 3-key 6-gang tact switch

**G6 U Shape Switch** (backlight words, color change)  
1-gang tact switch, 2-gang tact switch, 3-gang tact switch, 4-gang tact switch

**G9K Rocker switch**  
1-gang tact switch, 2-gang tact switch, 3-gang tact switch, 4-gang tact switch, 1-gang 1-way switch (with luminous article), 2-gang tact switch (with luminous article), 3-gang tact switch (with luminous article), 4-gang tact switch (with luminous article)



**High Voltage Sockets**

2-pin&3-pin socket, 2-pin&3-pin universal socket, 2-pin&3-pin socket with switch, 10A 3-pin socket, 16A 3-pin socket, 16A 3-pin socket with switch, universal socket, universal socket with switch, 2-pin socket, 2-pin&2-pin socket, 1-gang USB universal socket, 2-gang USB socket (without switch and indicator), 2-pin&3-pin socket with 2-USB (with switch and indicator), Universal socket with 2-USB (without switch and indicator), 2-pin&3-pin universal socket with 2-USB

**Information**

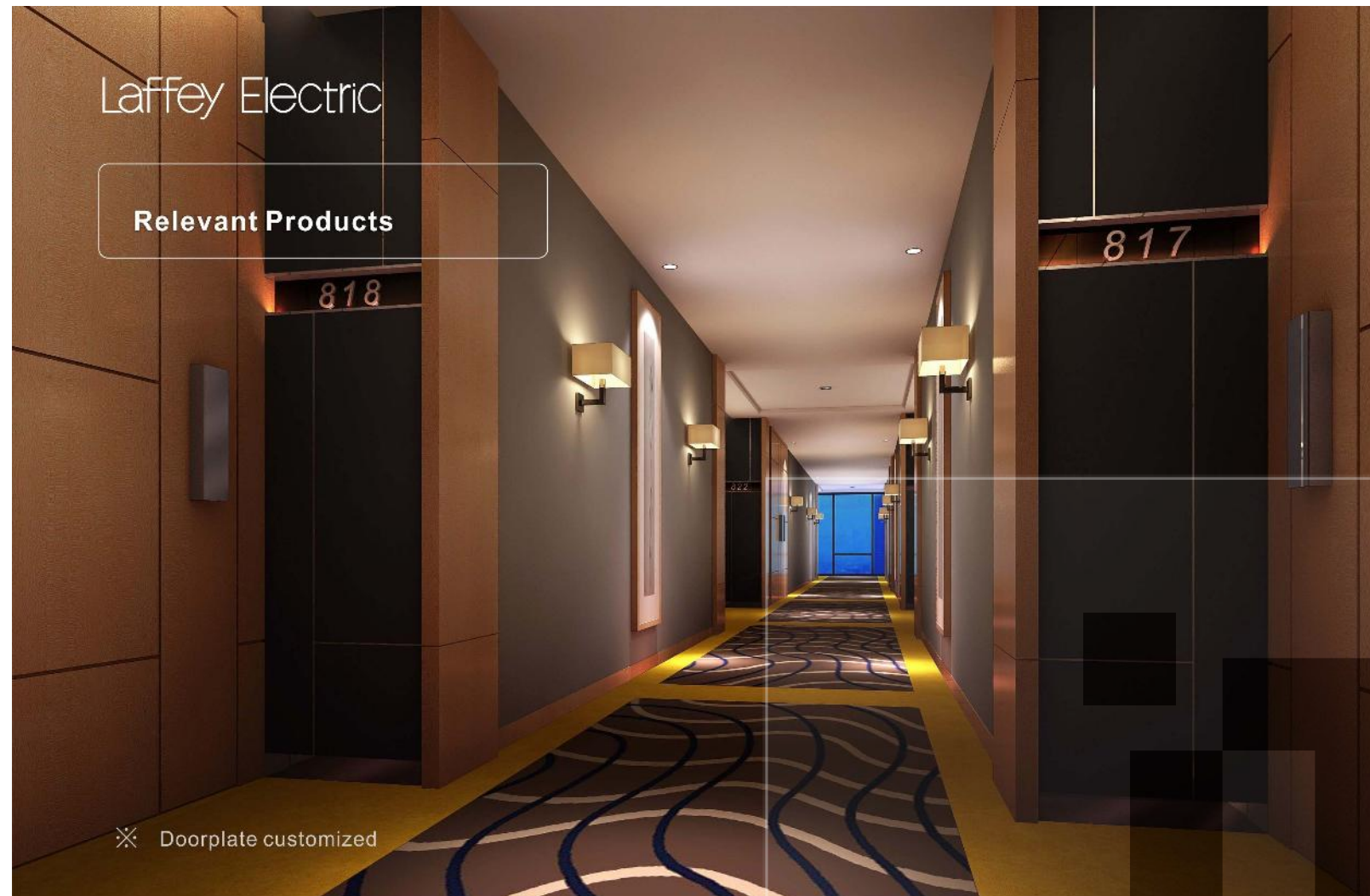
Tel socket, Data socket, Tel socket, TV/Data socket, Tel/Data socket, Twin Data socket, Twin TV socket, Twin Tel socket, RJ45 (Cat 6), 1-gang HIFI socket, 2-gang HIFI socket, Blank plate, Satellite, Fiber optic, Fiber optic+Data socket

**Others**

shaver socket (inside transformer/ outside), Card holder, Mechanic 2 function (bell+D, N, D), Mechanic 3 function (bell+D, N, D+cleaning), Mechanic 4 function (bell+D, N, D+alarm), Thermostat, Floor heating thermostat, ISDN multimedia (E1+2+USB+appt+backlit), Flat AV+3.5mm earphone outlet, Flat AV+S outlet, VGA+earphone outlet, HDMI+USB, Data+USB, HDMI, USB, Single AV Socket, LED mechanic footlight, LED mechanic footlight (with sensor), SOS, Dimmer for voice (27%), Dimmer for voice, WIFI, 300W Dimmer for light, 300W Dimmer for speed, Voice control switch, Voice control switch, Sensor switch, Background music, Speaker phone

**Conjoined Switches**

Unit, 2-conjoined, 3-conjoined, 4-conjoined, 5-conjoined



Copper intercalation



Copper TV&Data floor socket



Tel floor socket



Data floor socket

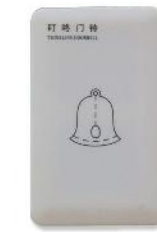


2-pin&3-pin floor socket

Ding Dong bell



88\*62 Ding Dong bell (Low voltage)



120\*70 Ding Dong bell (High voltage)

Door magnetic



Square door magnetic



Oval door magnetic

Doorplate (with room number)



105\*295 Champagne aluminum CNC edge



150\*400 Vertical doorplate



150\*250 Horizontal doorplate



150\*250 Vertical doorplate



150\*250 Horizontal doorplate



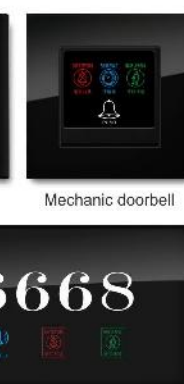
105\*295 Black aluminum CNC edge



150\*400 Vertical doorplate



150\*250 Horizontal doorplate



150\*250 Vertical doorplate



150\*250 Horizontal doorplate

IMEXAO IMPORTERS EXPORTERS  
+ (86) 186-8880-7020

Waterproof



Champagne



White



Black

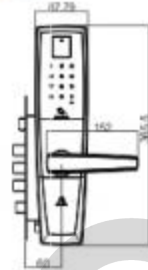


Grey





116C98  
Black nickel & Polished gold



- Main materials: Zinc alloy.
- Main board adopts Military Grade microcomputer chip.
- Original bio-semiconductor fingerprint scanner imported from Sweden.
- Modern fashion touchscreen panel.
- 23.5cm standard hole distance anti-theft lock body.
- Optional unlocking modes.
- Switchable function between passage lock and household lock.
- Dry finger can use the fingerprint lock normally.
- 9V batteries backup power interface.
- Low voltage alarm function.



116C88  
Black nickel & Polished gold



116C5E  
Black nickel & Chrome



Reliable fingerprint scanner



Touchscreen panel



Apply to Mifare card



9V batteries backup power interface



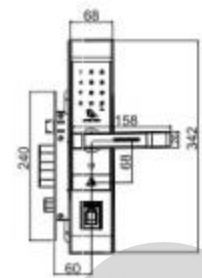
Exchange of fully-open function and lock-up function.



Unlock ways: fingerprint + code + card + key.
Fingerprint collected time: <1s.
FAR: <0.0001%.
FRR: <0.01%.
Memory capacity: 100pcs fingerprints + 800 cards + 200 group code.
Available cards: Temic5587/ Mifare-1 card S50.
Working Temperature: -20 °C ~ +50 °C
Static current/Dynamic Current :< 50µA/<150µA.
Power supply: 6V (4*1.5V AA alkaline batteries).
Battery life: normally opening door for 50,000 times



118C87 SS  
9V gold



- Main materials: stainless steel 304.
- Main board adopts Military Grade microcomputer chip.
- Original bio-semiconductor fingerprint scanner imported from Sweden.
- Modern fashion touchscreen panel.
- 23.5cm standard hole distance anti-theft lock body.
- Optional unlocking modes.
- Changeable function between passage lock and household lock.
- You can also use the fingerprint lock normally.
- 9V batteries backup power interface.
- Low voltage alarm function.



118C87 SS  
9V gold



118C87 SS  
Silver color



Reliable fingerprint scanner



Touchscreen panel



Apply to Mifare card



9V batteries backup power interface



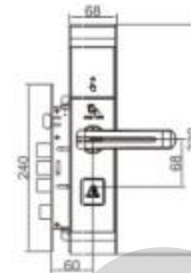
Exchange of fully-open function and lock-up function.



Unlock ways: fingerprint + code + card + key.
Fingerprint collected time: <1s.
FAR: <0.00001%.
FRR: <0.01%.
Memory capacity: 100pcs fingerprints + 800 cards + 200 group codes.
Available cards: Temic5567/ Mifare-1 card S50.
Working Temperature: -20 °C ~ + 50 °C
Static current/Dynamic Current :< 50μA/<150μA.
Power supply: 6V (4*1.5V AA alkaline batteries).
Battery life: normally opening door for 50,000 times



89C87  
Black nickel & Chrome



- Main materials: Zinc alloy.
- Main board adopts Military Grade microcomputer chip.
- Original bio-semiconductor fingerprint scanner imported from Sweden.
- Modern pin code keypad.
- 23.5cm standard hole distance anti-theft lock body.
- Optional unlocking modes.
- Changeable function between passage lock and household lock.
- Only user can use the fingerprint lock normally.
- 4x batteries back up power interface.
- Low voltage alarm function.



89C87  
Black nickel & Polished gold



89C87  
Black nickel & Chrome



Reliable fingerprint scanner



Pin code keypad



Apply to Mifare card



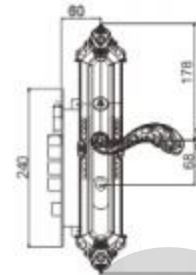
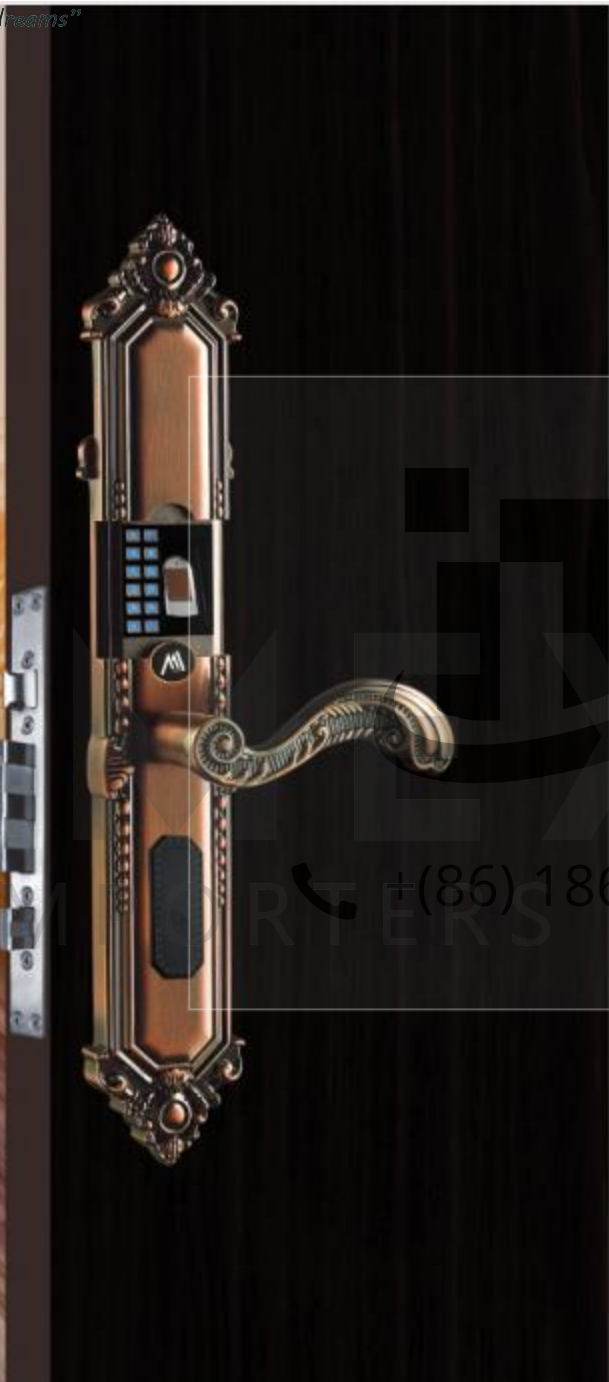
Magnetic keyhole cover



Exchange of fully-open function and lock-up function.



Unlock ways: fingerprint + code + card + key.
Fingerprint collected time: <1s.
FAR: <0.00001%.
FRR: <0.01%.
Memory capacity: 100pcs fingerprints + 800 cards + 200 group codes.
Available cards: Temic5567/ Mifare-1 card S50.
Working Temperature: -20 °C ~ + 50 °C
Static current/Dynamic Current: < 50µA/<150µA.
Power supply: 6V (4*1.5V AA alkaline batteries).
Battery life: normally opening door for 50,000 times



19C22-B  
Antique brass

- Main materials: Zinc alloy.
- Main board adopts Military Grade microcomputer chip.
- Original bio-semiconductor fingerprint scanner imported from Sweden.
- Classic pin code keypad.
- 23.5cm standard hole distance anti-theft lock body.
- Optional unlocking modes.
- Changeable function between passage lock and household lock.
- Or, user can use the fingerprint lock normally.
- 4V batteries back up power mislapse.
- Low voltage alarm function.



19C22-B  
Antique copper



19C22-B  
Antique brass



Reliable fingerprint scanner



Pin code keypad



Apply to Mifare card



Magnetic keyhole cover



Unlock ways: fingerprint + code + card + key.

Fingerprint collected time: <1s.

FAR: <0.00001%.

FRR: <0.01%.

Memory capacity: 100pcs fingerprints + 800 cards + 200 group codes

Available cards: Temic5567/ Mifare-1 card S50.

Working Temperature: -20 °C ~ +50 °C.

Static current/Dynamic Current : < 50µA/<150µA.

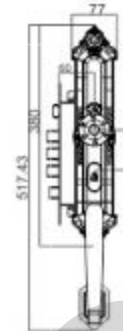
Power supply: 6V (4\*1.5V AA alkaline batteries).

Battery life: normally opening door for 50,000 times

"Let us help to build your dreams"



32BT22  
Antique Copper



- Main materials: Zinc alloy.
- Main board adopts Military Grade microcomputer chip.
- Original bio-semiconductor fingerprint scanner imported from Sweden.
- Classic pin code keypad.
- 23.5cm standard hole distance anti-theft lock body.
- Optional unlocking modes.
- Changeable function between passage lock and household lock.
- You can use the fingerprint lock normally.
- 4V batteries backup power interface.
- Low voltage alarm function.



32BT22  
Antique Copper



32BT22  
Antique Brass



Reliable fingerprint scanner



Pin code keypad



Apply to Mifare card



Magnetic keyhole cover



Unlock ways: fingerprint + code + card + key.

Fingerprint collected time: <1s.

FAR: <0.00001%.

FRR: <0.01%.

Memory capacity: 100pcs fingerprints + 800 cards + 200 group code

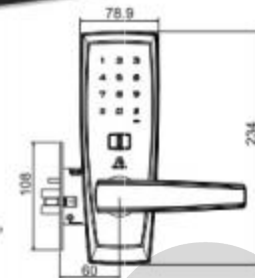
Available cards: Temic5567/ Mifare-1 card S50.

Working Temperature: -20 °C ~ +50 °C

Static current/Dynamic Current :< 50µA/<150µA.

Power supply: 6V (4\*1.5V AA alkaline batteries).

Battery life: normally opening door for 50,000 times



116E98  
Black Nickel & Chrome

- Main materials: Zinc alloy.
- Main board adopts Military Grade microcomputer chip.
- Swipe fingerprint scanner.
- Modern fashion touchscreen panel.
- 60mm single latch lock body.
- Optional unlocking modes.
- Changeable function between passage lock and household lock.
- Backlit LCD display power interface.
- Low voltage alarm function.



Reliable fingerprint scanner



Touchscreen panel



116E98  
Black Nickel & Polished gold



116E98  
Black Nickel & Chrome

Unlock ways: fingerprint + code + key.
Fingerprint collected time: <1s.
FAR: <0.0001%.
FRR: <0.01%.
Memory capacity: 100pcs fingerprints + 100 group codes.
Available cards: EM card.
Working Temperature: -20 °C ~ +50 °C
Static current/Dynamic Current :< 50µA/<150µA.
Power supply: 6V (4*1.5V AA alkaline batteries).
Battery life: normally opening door for 50,000 times

"Let us help to build your dreams"

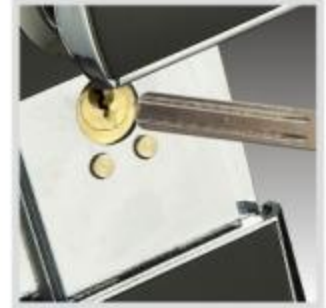


**116C98**  
Black nickel & Chrome

- Main materials: Zinc alloy.
- Main board adopts Philips CPU microcomputer chip.
- Modern design of sliding cover of keyhole.
- International standard 5-latch lock body
- Steady microwave induction technology
- One-card available.
- IP65 intelligent management system.
- Low voltage alarm function.



Apply to Mifare card



sliding cover of keyhole



Unlock ways: card + key.

Memory capacity: The lock memorizes the latest 225 access records.

Available cards: Temic5567/ Mifare-1 card S50.

Working Temperature: -20 °C ~ + 50 °C

Static current/Dynamic Current : < 18µA/<150µA.

Power supply: 6V (4\*1.5V AA alkaline batteries).

Battery life: normally opening door for 50,000 times.



**116C98**  
Black nickel & Polished gold

**116C98**  
Black nickel & Chrome

**HW-5 7**



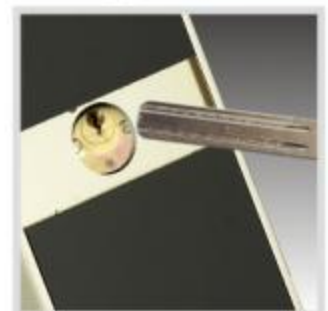
117C99-B  
Champagne gold

- Main materials: Space aluminum.
- Main board adopts Philips CPU microcomputer chip.
- Modern design of sliding cover of keyhole.
- International standard 5-latch lock body
- Steady microwave induction technology
- One-card available.
- PDA intelligent management system.
- Remote control alarm function.

±(86) 86-8880-7020



Apply to Mifare card



sliding cover of keyhole



117C99-B  
Champagne gold

117C99-B  
Silver white

Unlock ways: card + key.
Memory capacity: The lock memorizes the latest 225 access records.
Available cards: Temic5567/ Mifare-1 card S50.
Working Temperature: -20 °C ~ + 50 °C
Static current/Dynamic Current :< 18μA/<150μA.
Power supply: 6V (4*1.5V AA alkaline batteries).
Battery life: normally opening door for 50,000 times.

# HW-5 8





117C99-A  
Charge key lock

- Main materials: Space aluminum.
- Main board adopts Philips CPU microcomputer chip.
- Modern design of sliding cover of keyhole.
- International standard 5-latch lock body
- Steady microwave induction technology
- One card available.
- 10A intelligent management system.
- Low voltage alarm function.



Apply to Mifare card



sliding cover of keyhole



117C98-A  
Charge key lock

117C99-A  
Smart lock

Unlock ways: card + key.

Memory capacity: The lock memorizes the latest 225 access records.

Available cards: Temic5567/ Mifare-1 card S50.

Working Temperature: -20 °C ~ + 50 °C

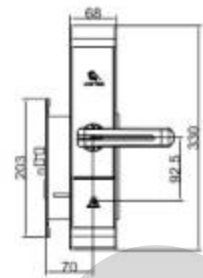
Static current/Dynamic Current: < 18μA/<150μA.

Power supply: 6V (4\*1.5V AA alkaline batteries).

Battery life: normally opening door for 50,000 times.



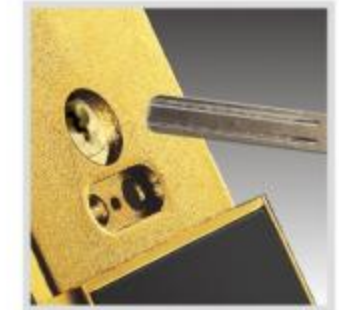
89C87  
Black nickel & Polished gold



- Main materials: Zinc alloy.
- Main board adopts Philips CPU microcomputer chip.
- Modern design of sliding cover of keyhole.
- International standard 5-latch lock body
- Steady microwave induction technology
- One-card available
- RFID intelligent management system.
- Low voltage alarm function.



Apply to Mifare card



sliding cover of keyhole



Unlock ways: card + key.  
 Memory capacity: The lock memorizes the latest 225 access records.  
 Available cards: Temic5567/ Mifare-1 card S50.  
 Working Temperature: -20 °C ~ + 50 °C  
 Static current/Dynamic Current : < 18μA/<150μA.  
 Power supply: 6V (4\*1.5V AA alkaline batteries).  
 Battery life: normally opening door for 50,000 times.



89C87  
Black nickel & Polished gold

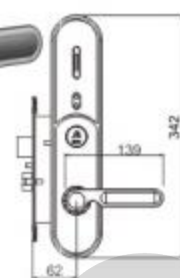


89C87  
Black nickel & Chrome

# HW-5 10



52C50  
Black Nickel & Chrome



- Main materials: Zinc alloy.
- Main board adopts Philips CPU microcomputer chip.
- Magnetic keyhole cover.
- International standard 5-latch lock body
- Steady microwave induction technology
- One-card available
- DDI intelligent management system.
- Low voltage alarm function.



Apply to Mifare card



Magnetic keyhole cover



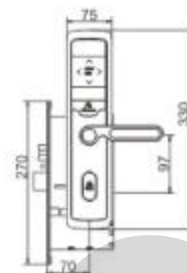
52C50  
Black Nickel & Polished gold

52C50  
Black Nickel & Chrome

Unlock ways: card + key.
Memory capacity: The lock memorizes the latest 225 access records.
Available cards: Temic5567/ Mifare-1 card S50.
Working Temperature: -20 °C ~ + 50 °C
Static current/Dynamic Current :< 18μA/<150μA.
Power supply: 6V (4*1.5V AA alkaline batteries).
Battery life: normally opening door for 50,000 times.



52C51  
Satin nickel



- Main materials: Zinc alloy.
- Main board adopts Philips CPU microcomputer chip.
- Magnetic keyhole cover.
- International standard 5-latch lock body
- Steady microwave induction technology.
- 316 stainless steel.
- ICA multi-management system.
- Low voltage alarm function.



Apply to Mifare card



Magnetic keyhole cover



52C51 Satin nickel & Polished gold | 52C51 Polished gold | 52C51 Satin nickel

Unlock ways: card + key.  
Memory capacity: The lock memorizes the latest 225 access records.  
Available cards: Temic5567/ Mifare-1 card S50.  
Working Temperature: -20 °C ~ + 50 °C  
Static current/Dynamic Current : < 18μA/<150μA.  
Power supply: 6V (4\*1.5V AA alkaline batteries).  
Battery life: normally opening door for 50,000 times.

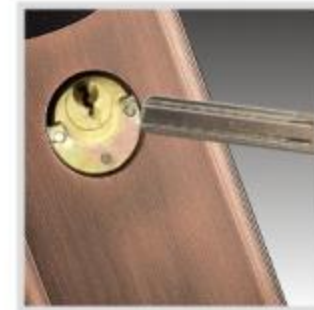


01C96  
Silver nickel

- Main materials: Zinc alloy.
- Main board adopts Philips CPU microcomputer chip.
- Magnetic keyhole cover.
- International standard 5-latch lock body
- Steady microwave induction technology
- One card available
- PDA intelligent management system.
- Low voltage alarm function.



Apply to Mifare card



Magnetic keyhole cover



01C96  
Antique copper

01C96  
Antique brass

01C96  
Silver nickel

Unlock ways: card + key.

Memory capacity: The lock memorizes the latest 225 access records.

Available cards: Temic5567/ Mifare-1 card S50.

Working Temperature: -20 °C ~ +50 °C

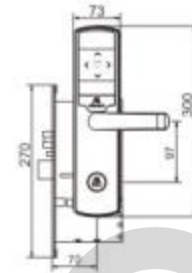
Static current/Dynamic Current : < 18µA/<150µA.

Power supply: 6V (4\*1.5V AA alkaline batteries).

Battery life: normally opening door for 50,000 times.



53C48  
Polished gold



- Main materials: Aluminum alloy.
- Main board adopts Philips CPU microcomputer chip.
- Magnetic keyhole cover.
- International standard 5-latch lock body
- Steady microwave induction technology
- One card available
- IP64 intelligent management system.
- Low voltage alarm function.



Apply to Mifare card



Magnetic keyhole cover



53C48  
Polished gold



53C48  
Silver color

Unlock ways: card + key.

Memory capacity: The lock memorizes the latest 225 access records.

Available cards: Temic5567/ Mifare-1 card S50.

Working Temperature: -20 °C ~ + 50 °C

Static current/Dynamic Current : < 18μA/< 150μA.

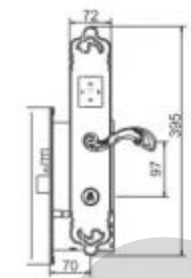
Power supply: 6V (4\*1.5V AA alkaline batteries).

Battery life: normally opening door for 50,000 times.

"Let us help to build your dreams"



15C47  
Antique Brass



- Main materials: Zinc alloy.
- Main board adopts Philips CPU microcomputer chip.
- Magnetic keyhole cover.
- International standard 5-latch lock body
- Steady microwave induction technology
- One card available.
- LCD intelligent management system.
- Low voltage alarm function.

+ (86) 186-8880-7020



Apply to Mifare card



Magnetic keyhole cover



Unlock ways: card + key.  
 Memory capacity: The lock memorizes the latest 225 access records  
 Available cards: Temic5567/ Mifare-1 card S50.  
 Working Temperature: -20 °C ~ + 50 °C  
 Static current/Dynamic Current : < 18μA/<150μA.  
 Power supply: 6V (4\*1.5V AA alkaline batteries).  
 Battery life: normally opening door for 50,000 times.



15C47  
Polished gold



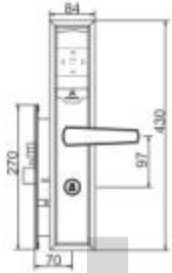
15C47  
Antique Brass

# HW-5 15

"Let us help to build your dreams"



28A31  
Satin nickel



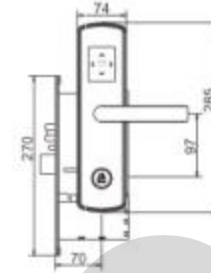
Apply to Mifare card



Magnetic keyhole cover



26C48 SS  
Satin nickel



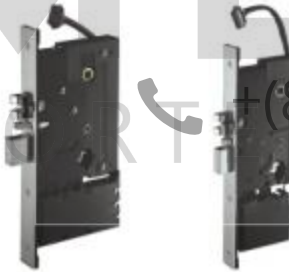
Apply to Mifare card



Magnetic keyhole cover

- Main materials: Zinc alloy.
- Main board adopts Philips CPU microcomputer chip.
- Magnetic keyhole cover.
- International standard 5-latch lock body
- Steady microwave induction technology
- One-card available.
- PDA intelligent management system.
- Low voltage alarm function.

- Main materials: Stainless steel 304 or Aluminum alloy.
- Main board adopts Philips CPU microcomputer chip.
- Magnetic keyhole cover.
- International standard 5-latch lock body
- Steady microwave induction technology
- One-card available.
- PDA intelligent management system.
- Low voltage alarm function.



IMEXAO IMPORTERS EXPORTERS + (86) 186-8880-7020



28A31  
Polished gold



28A31  
Satin nickel

Unlock ways: card + key.  
Memory capacity: The lock memorizes the latest 225 access records.  
Available cards: Temic5567/ Mifare-1 card S50.  
Working Temperature: -20 °C ~ + 50 °C  
Static current/Dynamic Current: < 18μA/<150μA.  
Power supply: 6V (4\*1.5V AA alkaline batteries).  
Battery life: normally opening door for 50,000 times.



26C48  
Polished gold



26C48  
Satin nickel

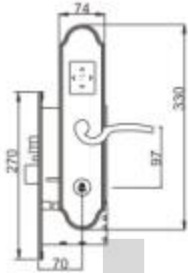
Unlock ways: card + key.  
Memory capacity: The lock memorizes the latest 225 access records.  
Available cards: Temic5567/ Mifare-1 card S50.  
Working Temperature: -20 °C ~ + 50 °C  
Static current/Dynamic Current: < 18μA/<150μA.  
Power supply: 6V (4\*1.5V AA alkaline batteries).  
Battery life: normally opening door for 50,000 times.



"Let us help to build your dreams"



27C16  
Satin nickel



Apply to Mifare card



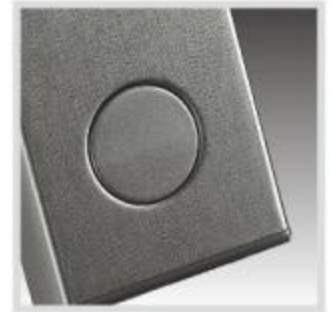
Magnetic keyhole cover



26C70 SS  
Satin nickel



Apply to Mifare card

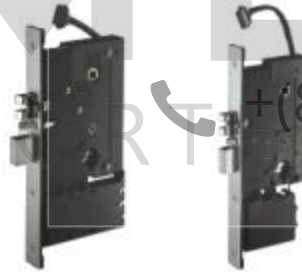


Magnetic keyhole cover

- Main materials: Aluminum alloy.
- Main board adopts Philips CPU microcomputer chip.
- Magnetic keyhole cover.
- International standard 5-latch lock body
- Steady microwave induction technology
- One-card available.
- PDA intelligent management system.
- Low voltage alarm function.

- Main materials: Stainless steel 304.
- Main board adopts Philips CPU microcomputer chip.
- Magnetic keyhole cover.
- International standard 5-latch lock body
- Steady microwave induction technology
- One-card available.
- PDA intelligent management system.
- Low voltage alarm function.

+ (86) 186-8880-7020



27C16  
Polished gold

27C16  
Satin nickel & Polished gold

Unlock ways: card + key.  
Memory capacity: The lock memorizes the latest 225 access records.  
Available cards: Temic5567/ Mifare-1 card S50.  
Working Temperature: -20 °C ~ + 50 °C  
Static current/Dynamic Current :< 18μA/<150μA.  
Power supply: 6V (4\*1.5V AA alkaline batteries).  
Battery life: normally opening door for 50,000 times.

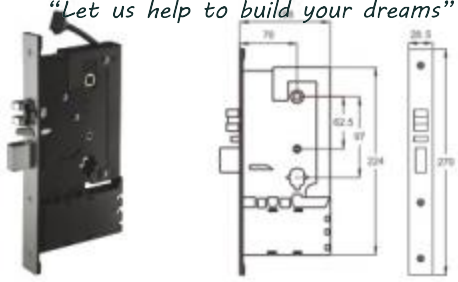


26C70 SS  
Satin nickel

26C70 SS  
Polished gold

Unlock ways: card + key.  
Memory capacity: The lock memorizes the latest 225 access records.  
Available cards: Temic5567/ Mifare-1 card S50.  
Working Temperature: -20 °C ~ + 50 °C  
Static current/Dynamic Current :< 18μA/<150μA.  
Power supply: 6V (4\*1.5V AA alkaline batteries).  
Battery life: normally opening door for 50,000 times.

"Let us help to build your dreams"



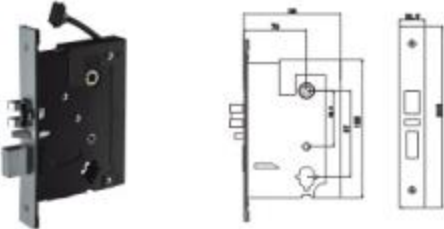
1. International standard five latches.
2. Strict quality control and perfect physical design.
3. Serve in over 300,000 hotels around the world.
4. Anti-theft function and alarm function.



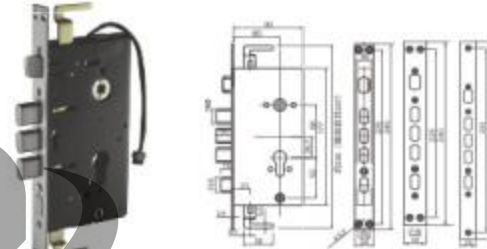
1. European standard mortise lock with automatically locked up function.
2. Double drive motors ensure high reliability and long service life.
3. Centre hole distance is 72mm.

1# Lock Body (with battery case)

2# Lock Body



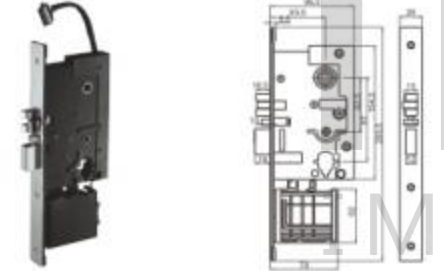
1. International standard five latches.
2. Strict quality control and perfect physical design.
3. Serve in over 300,000 hotels around the world.
4. Anti-theft function and alarm function.



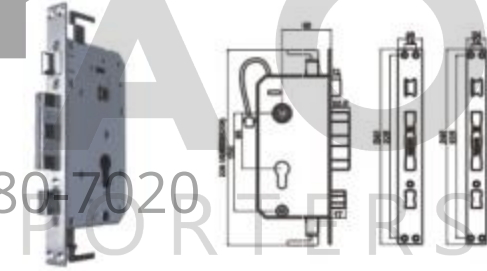
1. Electronic mortise lock with upper and lower hook.
2. Universal size mortise lock easily exchange to mechanical anti-theft mortise lock.
3. Emergency escape function.

1# Lock Body

4# Lock Body



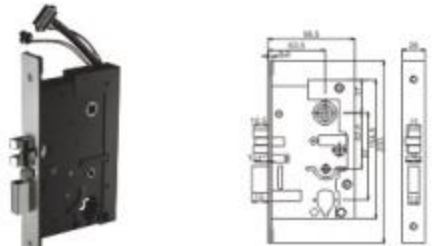
1. Small size mortise lock, highly adaptable.
2. Strict quality control and perfect physical design.
3. Serve in over 300,000 hotels around the world.
4. Anti-theft function and alarm function.



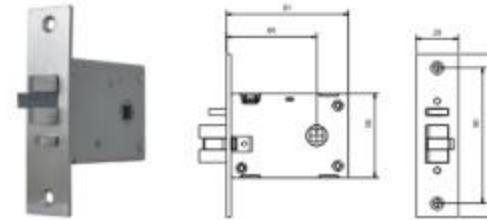
1. Stainless steel (304) electronic mortise lock with upper and lower hook.
2. Universal size mortise lock easily exchange to mechanical anti-theft mortise lock.
3. Emergency escape function.

3# Lock Body (with battery case)

4# Lock Body (SUS304)



1. Small size mortise lock, highly adaptable.
2. Strict quality control and perfect physical design.
3. Serve in over 300,000 hotels around the world.
4. Anti-theft function and alarm function.



1. Small size mortise lock, highly adaptable.
2. Strict quality control and perfect physical design.
3. Mechanical mortise lock apply to PCB on digital door handle.

3# Lock Body

60 Single Latch Lock Body

"Let us help to build your dreams"

**Encoder**



- 1.USB interface directly powered by computer.
2. Apply to Temic card or Mifare card.
3. Non-driven design.

**Data Extractor**



1. Collect 225pcs data at most each time.
2. Data leakage prevention.
3. Touchless control data extraction.

**PDA**



1. Multi-function portable data exchanging device.
2. Apply to Temic card or Mifare card.
3. Human-Friendly operation interface.

**Elevator controller**



Built-in version

Built-out version

**Hotel room door lock management system**



Front Desk



Management Computer



Printer



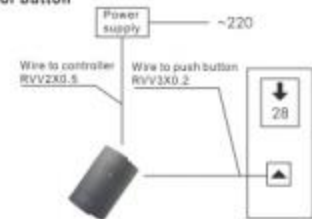
Call the elevator    Walk into the elevator    Read the RF card    Select floor button

**Specifications**

1. Apply to the cards from same hotel door lock management system.
2. Apply to the cards within the period of validity.
3. One elevator controller for one elevator, wire connection per the instruction diagram (right side).

**Remarks:**

The elevator controller is highly adaptable to different brands of elevator. It is much more convenient and lower cost than common elevator controller.



RF Card



Hotel Door Lock



Energy Saving



Encoder



Data extractor

+ (86) 186-88807020

Power supply:	DC 12V
Current:	100mA
Apply to:	T5567 card or Mifare card (issued from door lock management system)
Induction distance:	20-50mm
Input:	Push button
Output:	One group of dry contact (NO/NC/COM) Weigand 26
Size:	125mm*75mm*22mm
Working temperature:	-10~70℃
Storage temperature:	-25~125℃
Working humidity:	RH 5%~95%



KG02 White



KG03 White



KG01 White



KG02 White & Blue



1#



8357



2#



8357

+ (86) 186-8880-7020

**【 Product Features 】**

- Apply to 125KHz RF card (T5567 card/Mifare card)
- One-card available.
- Excellent energy saving function and high safety
- Imported fire-proof PC plastic

**【 Technology Specification 】**

- Working Voltage: AC220V ± 20%
- Power off time delay: 15 seconds(standard)
- Maximum Current: 16A/30A
- Maximum Power: 3300W/6000W





**Satin Gold**

901030201009089



**Antique Bronze**

901030201008108



**Sandblasting Silver**

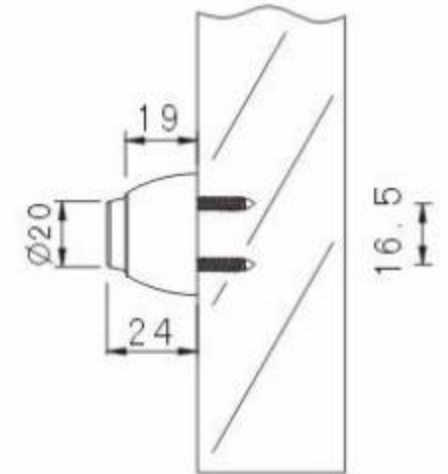
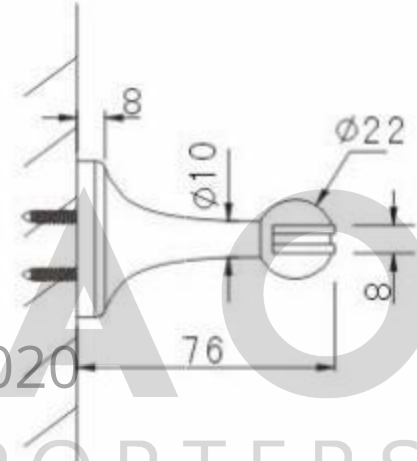
901030201010090



**Satin Chrome**

901030201011115

**MODEL: 3278, ZINC ALLOY**





Satin Nickel

901030201024102



Satin Chrome

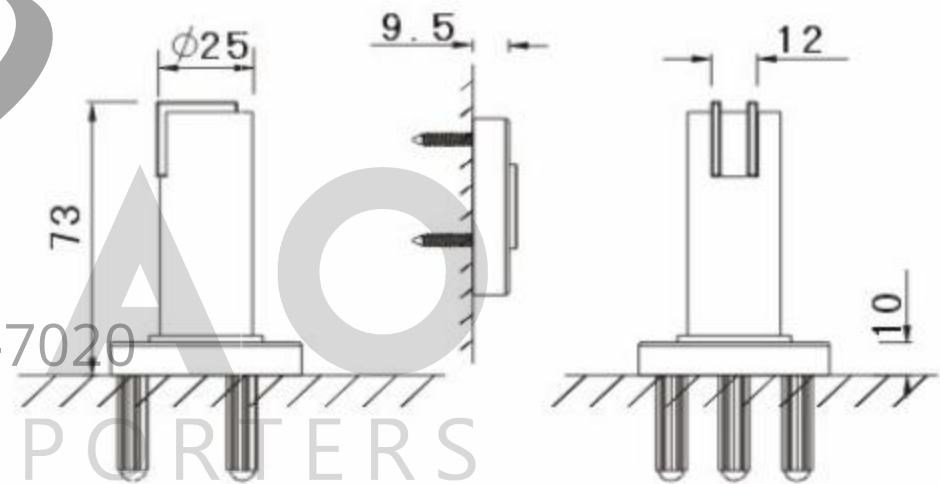
901030201025115



Satin Gold

901030201023128

**MODEL: 3293, ZINC ALLOY**





**Satin Chrome**

901030301003115



**Satin Gold**

901030301001089



**Satin Nickel**

901030301002090

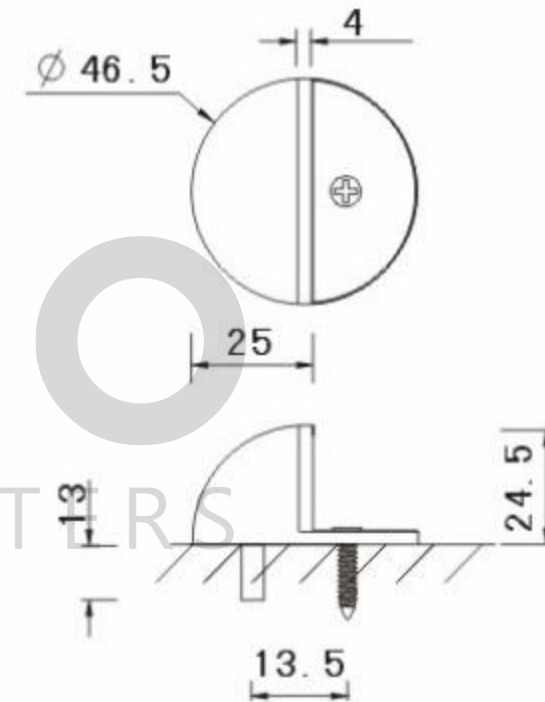


**Stainless Steel**

901030301004146

**MODEL: 2031**

**ZINC ALLOY / STAINLESS STEEL**



+(86) 186-8880-7020

**HW-7 3**



901030305004090  
Aluminum Alloy  
Sandblasting Silver



909060200129135  
Zinc Alloy  
Chrome Plated



909060200211108  
Zinc Alloy  
Antique Bronze



909060200120124  
Zinc Alloy  
Bright Brass

**IMEXAO**  
IMPORTERS EXPORTERS  
+ (86) 186-8880-7020



## MODEL: 809, STAINLESS STEEL



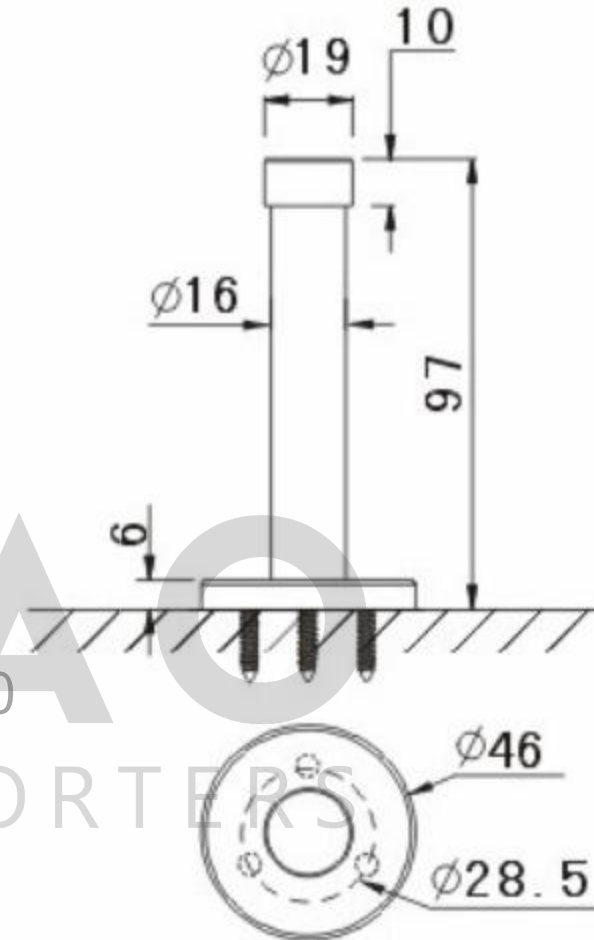
Mirror Finish

901030302001107



Matt Finish

901030302002146



**HW-7 5**



909060200124075

Plastic

White



909060200145124

Zinc Alloy

Bright Brass



909060300153121

Zinc Alloy

Pearl Nickel

+ (86) 186-8880-7020



909060300117121

Zinc Alloy

Pearl Nickel

**HW-7 6**



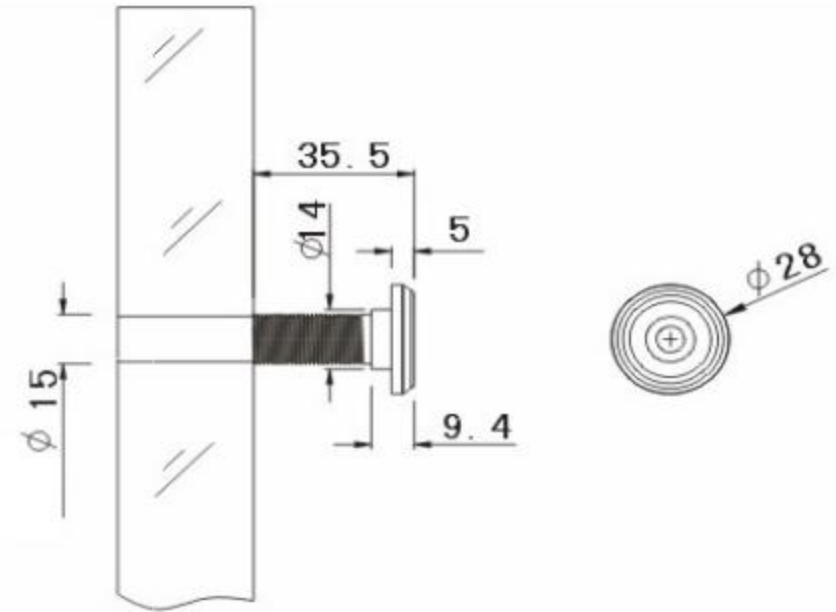
901030601010126

Brass

PVD

Vision: 180 Degrees

Applicable Door Thickness:  
35-55mm



901030602001102

Zinc Alloy

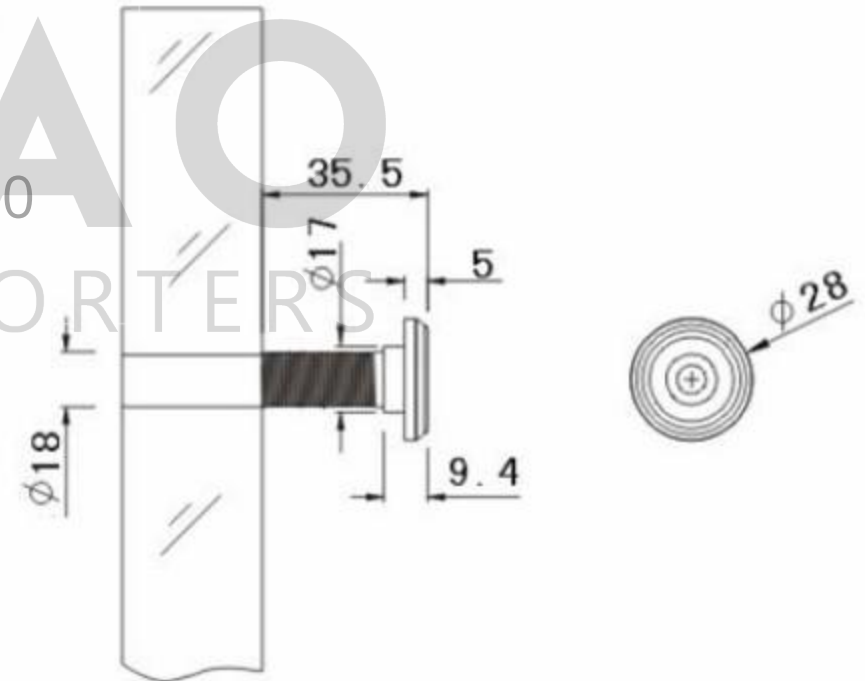
Satin Nickel

Vision: 200 Degrees

Applicable Door Thickness:  
35-55mm

+(86) 186-8880-7020

IMPORTERS EXPORTERS



**HW-7 7**



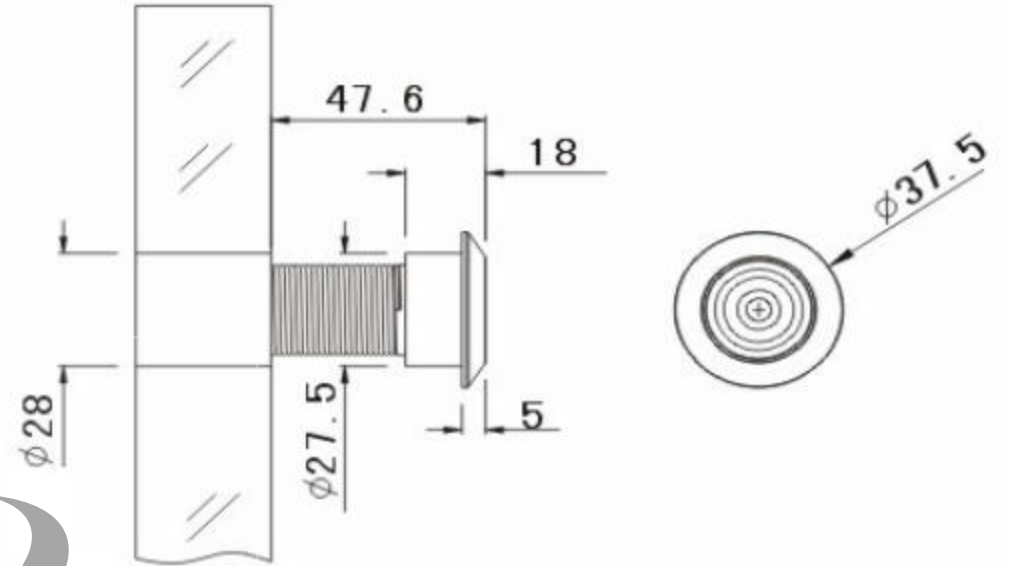
901030601005126

Brass

PVD

Vision: 180 Degrees

Applicable Door Thickness:  
40-50mm



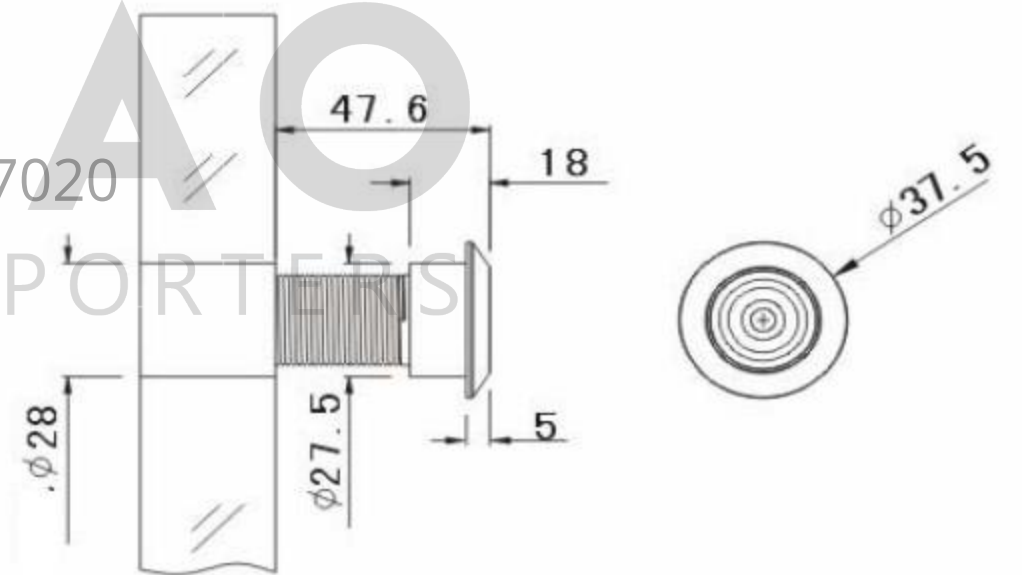
901030602003102

Zinc Alloy

Satin Nickel

Vision: 200 Degrees

Applicable Door Thickness:  
40-50mm



**HW-7 8**



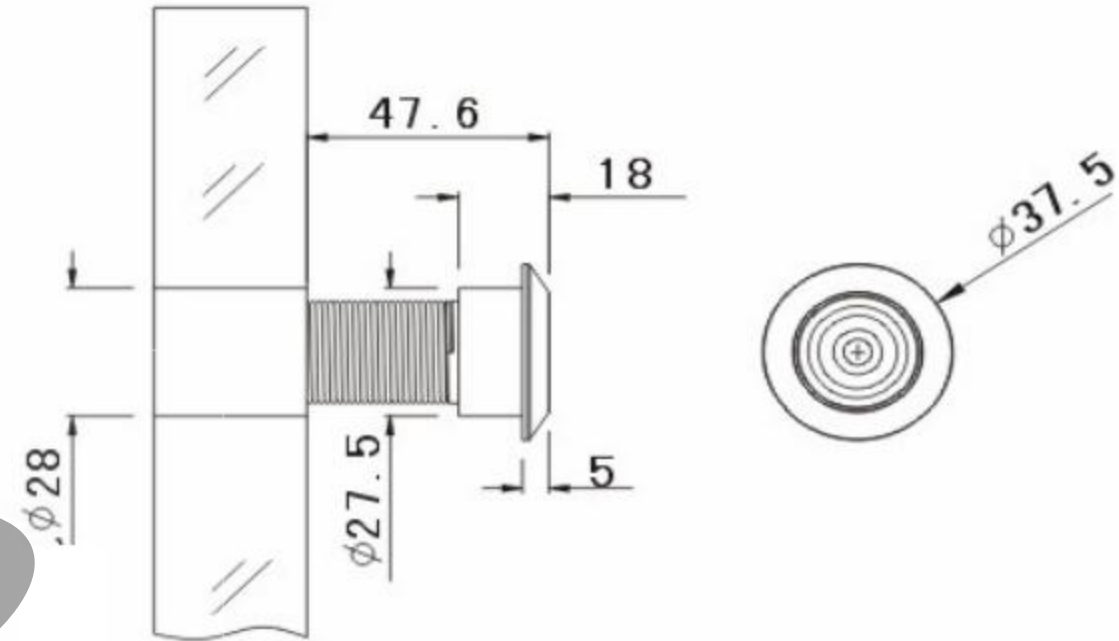
901030601001134

Brass

Antique Bronze

Vision: 180 Degrees

Applicable Door Thickness:  
40-50mm



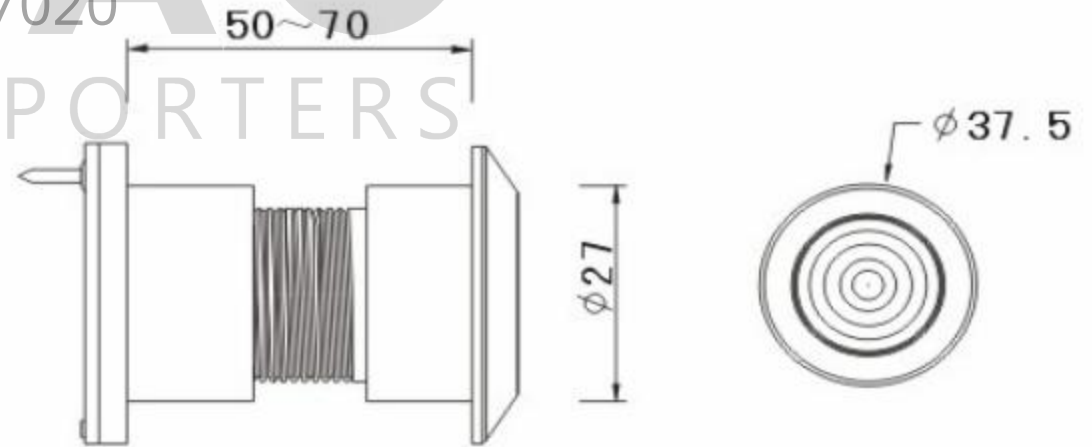
901030601007126

Brass

PVD

Vision: 180 Degrees

Applicable Door Thickness:  
50-70mm



**HW-7 9**



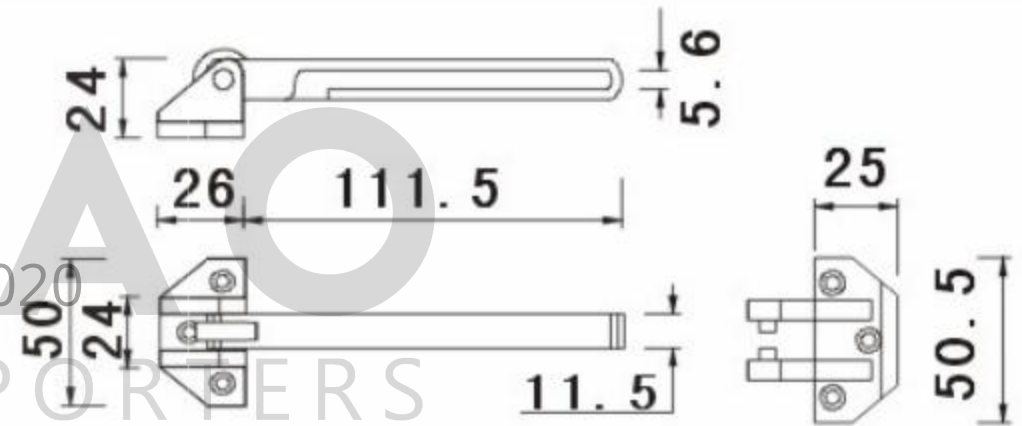
Satin Nickel  
901030401006102

**MODEL: 3296, ZINC ALLOY**



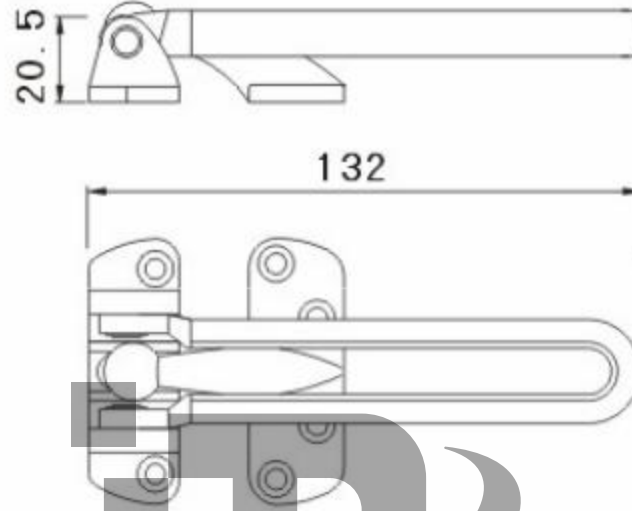
Satin Gold  
901030401005128

+(86) 186-8880-7020

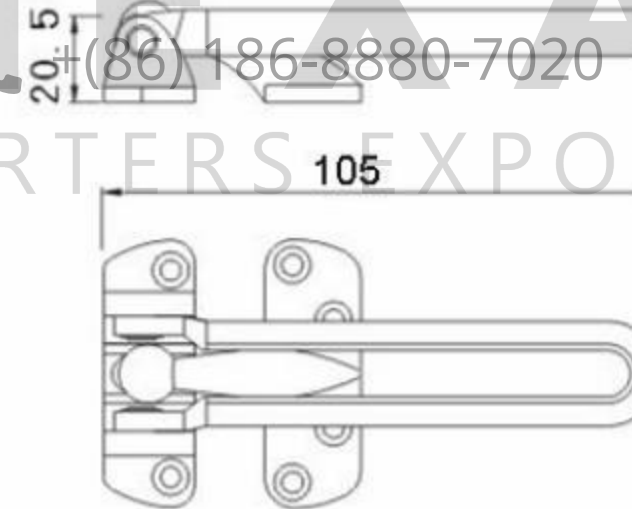
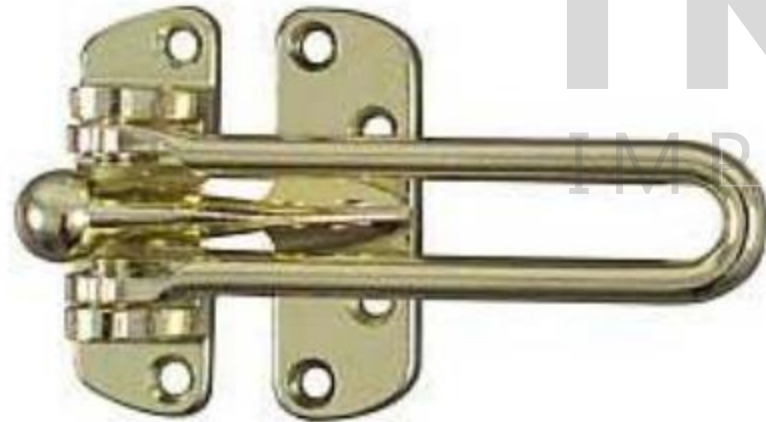


Satin Chrome  
901030401008115

**HW-7 10**



901030401009135  
Zinc Alloy  
Chrome Plated



909060200164124  
Zinc Alloy  
Bright Brass

**HW-7 11**



901030401014146  
Stainless Steel  
Matt



909060300082121  
Zinc Alloy  
Pearl Nickel

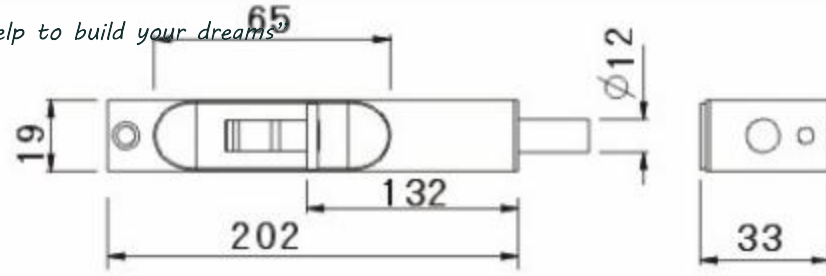
**IMEXAO**  
IMPORTERS EXPORTERS  
+ (86) 186-8880-7020



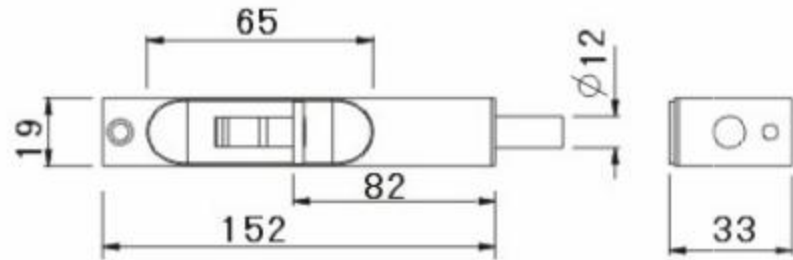
909060200171135  
Zinc Alloy  
Bright Chrome

**HW-7 12**

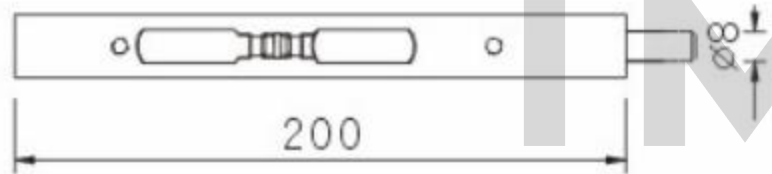




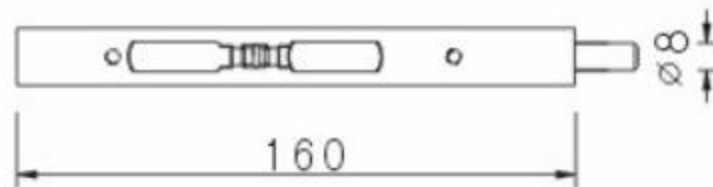
901030503004146  
Stainless Steel



901030503003146  
Stainless Steel

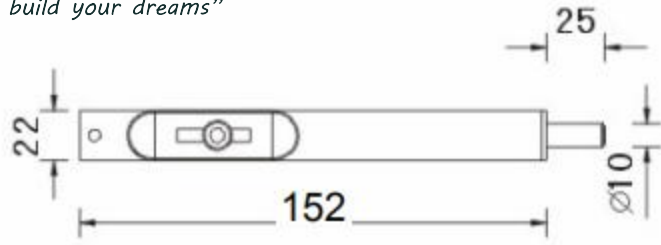


901030505002146  
Stainless Steel



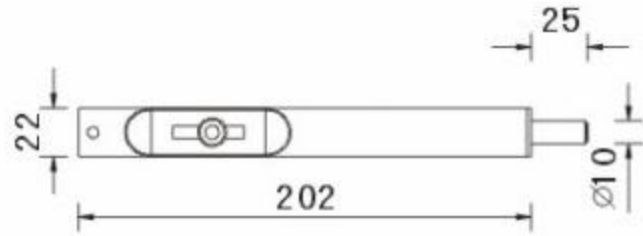
901030505001146  
Stainless Steel

**HW-7 13**



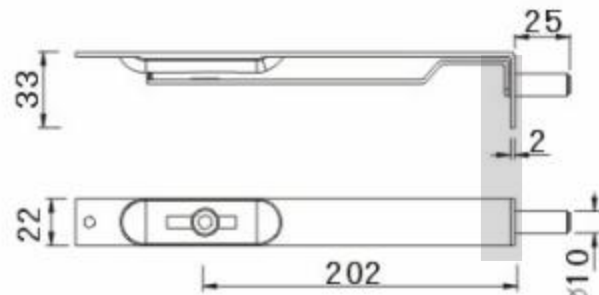
901030503005127

Brass



901030503006127

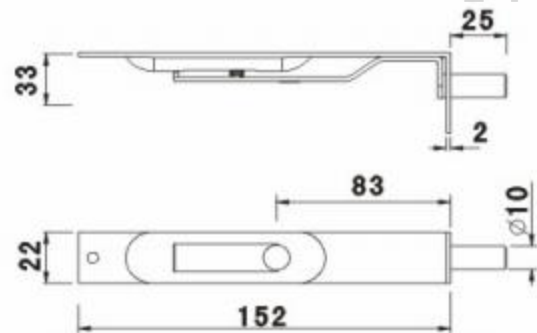
Brass



+ (86) 186-8880-7020

901030502002146

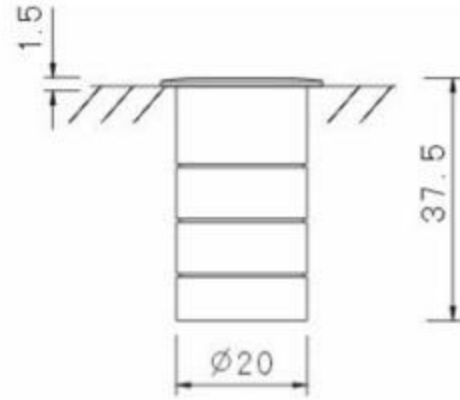
Stainless Steel



901030502001146

Stainless Steel

**HW-7 14**

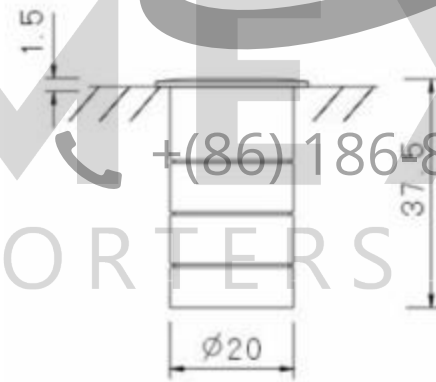
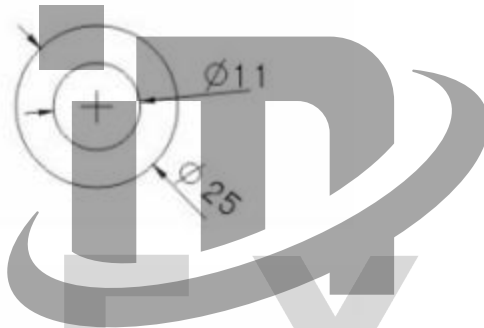


901030501003102

Dust Proof Strike

Brass

Satin Chrome

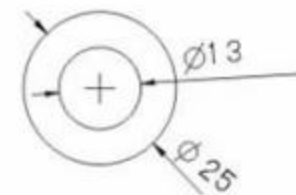


901030501006115

Dust Proof Strike

Brass

Satin Nickel



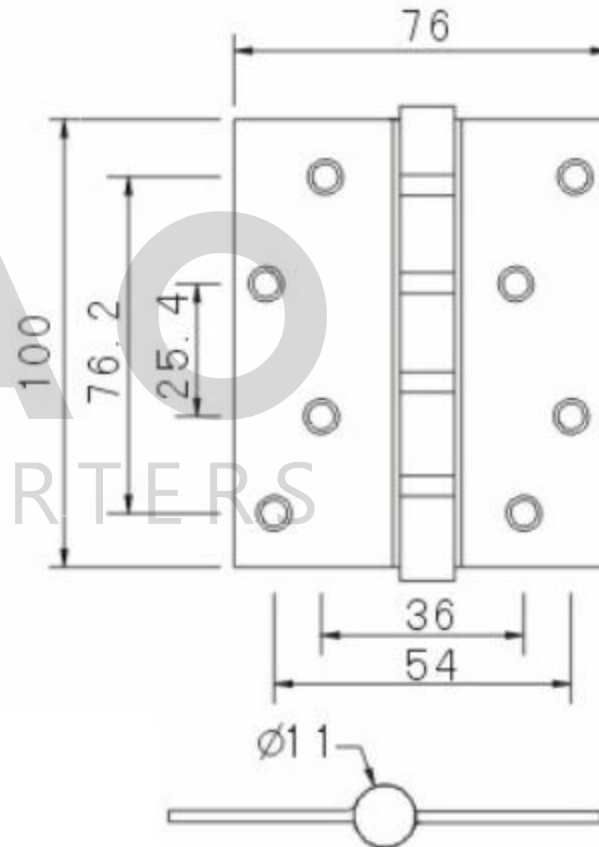
**HW-7 15**



Material: 304 Stainless Steel

Finish: Satin

Load-bearing: 50kg/3pcs



Code No.	Specifications
901030103012146	4"*3"*2mm-4BB
901030103011146	4"*3"*2.5mm-4BB
901030103013146	4"*3"*3mm-4BB

**HW-7 16**

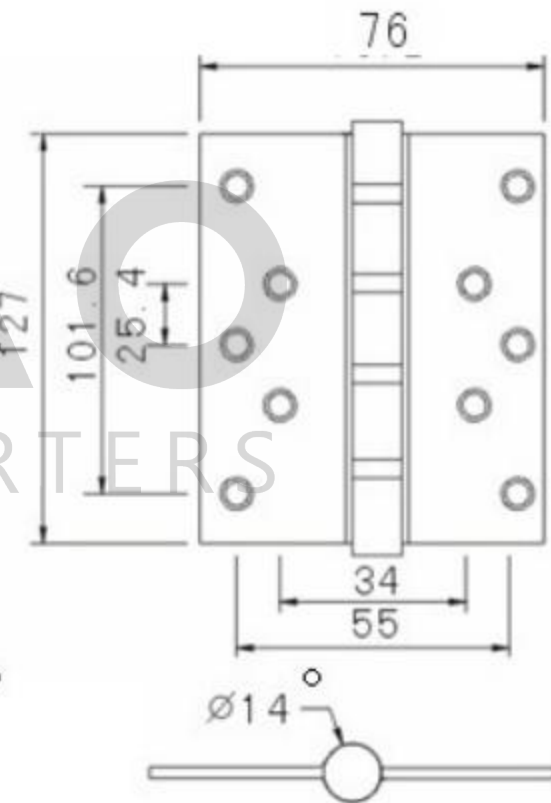


Material: 304 Stainless Steel

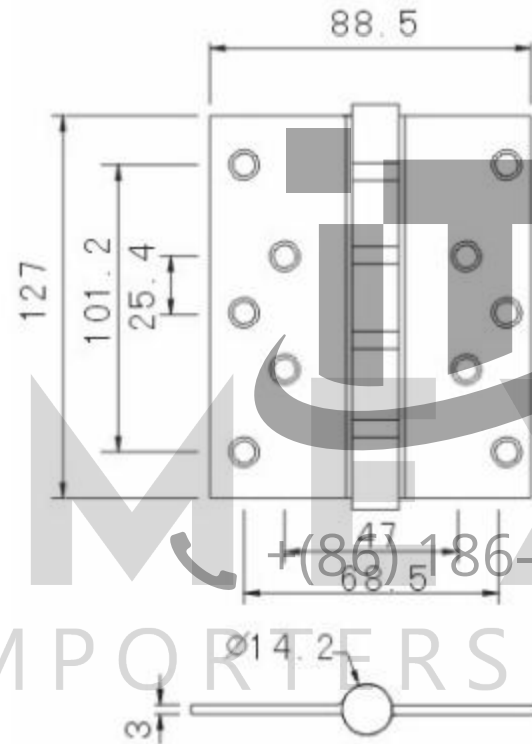
Finish: Satin

Load-bearing: 65kg/3pcs

Code No.	Specifications
901030103008146	5"*3"*2.5mm-2BB
901030103014146	5"*3"*3mm-4BB



**HW-7 17**



Code No.:901030103010148

Spec.: 5"\*3.5"\*3mm-2BB

Material: 304 Stainless Steel

Finish: Satin

Load-bearing: 65kg/3pcs

IMPORTERS EXPORTERS

**HW-7 18**

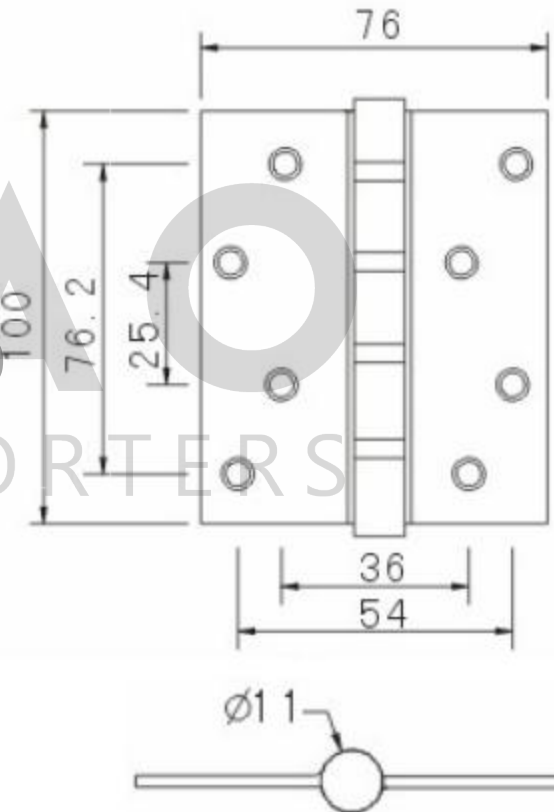


Material: 202 Stainless Steel

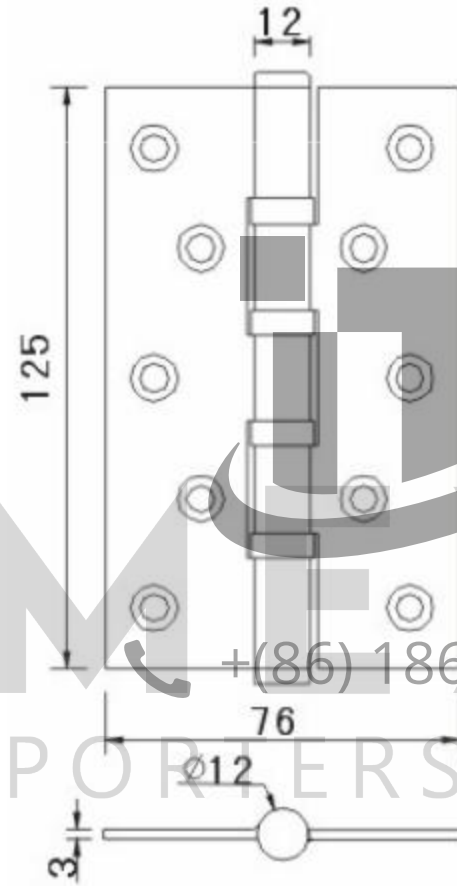
Finish: Satin

Load-bearing: 50kg/3pcs

Code No.	Specifications
901030105001146	4"*3"*2.5mm-4BB
901030105003146	4"*3"*3mm-4BB



**HW-7 19**



Code No.: 901030105011146

Spec.: 5"\*3"\*3mm-4BB

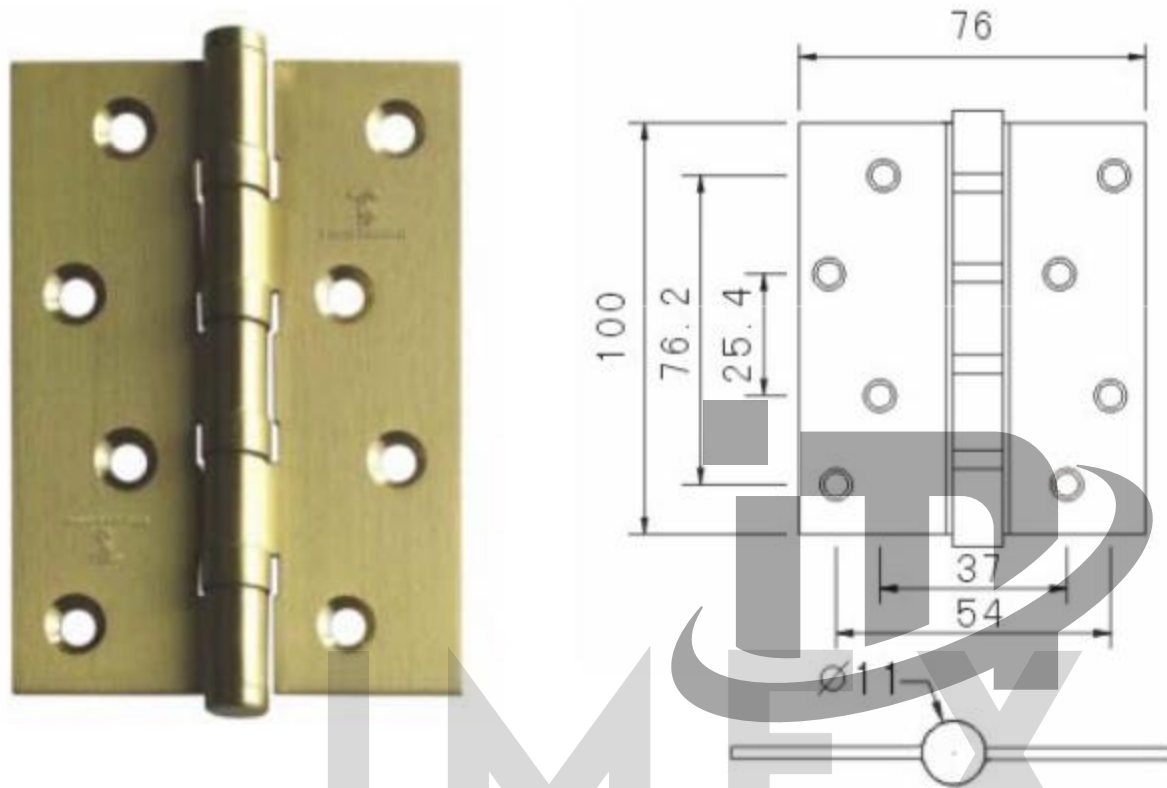
Material: 202 Stainless Steel

Finish: Satin

Load-bearing: 50kg/3pcs

**HW-7 20**





Material: Brass

Finish: Satin Brass

+ (86) 186-8880-7020

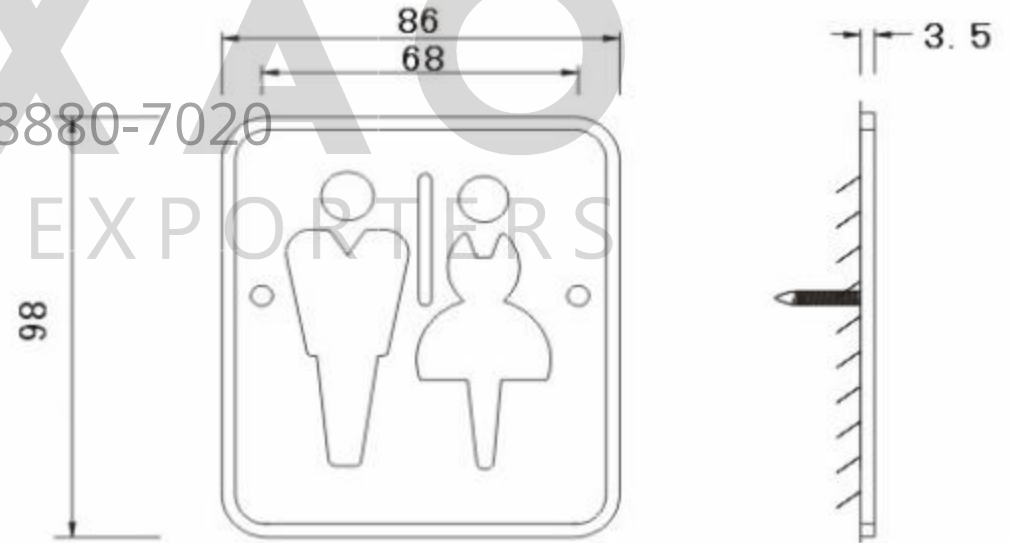
Code No.	Specifications	Load-bearing
901030101007139	4"*3"*2.5mm-4BB	45kg/3pcs
901030101010139	4"*3"*3mm-4BB	50kg/3pcs
901030102007139	4"*3"*4mm-4BB	60kg/3pcs

**HW-7 21**

# SIGNBOARD



- 304 Stainless Steel
- Easy Installation



**HW-7 22**

+ (86) 186-8880-7020



901030701007102



901030701005102



901030701006102



901030701008102



901030701012102



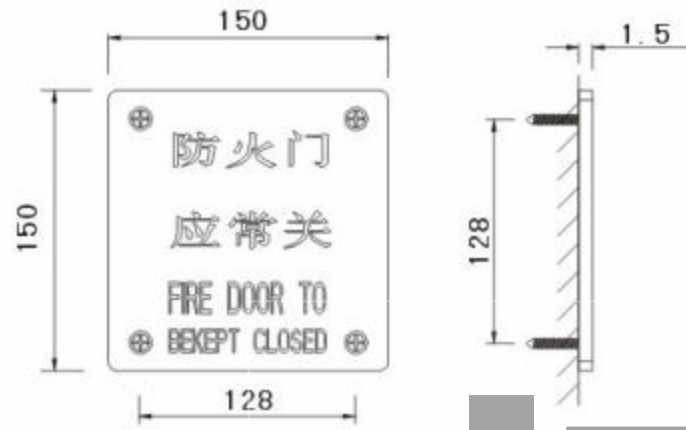
901030701011102

**HW-7 23**

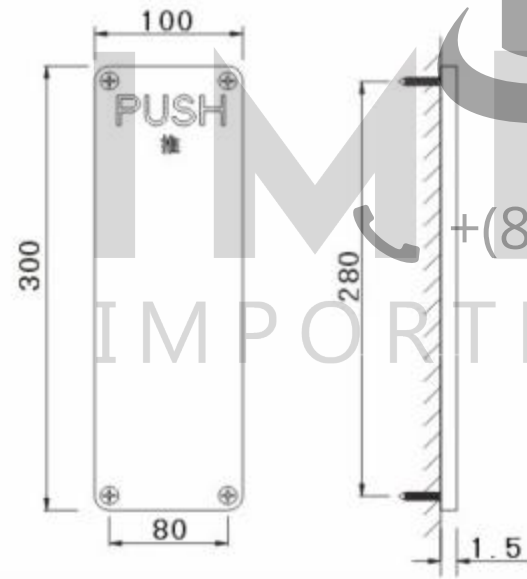
+ (86) 186-8880-7020



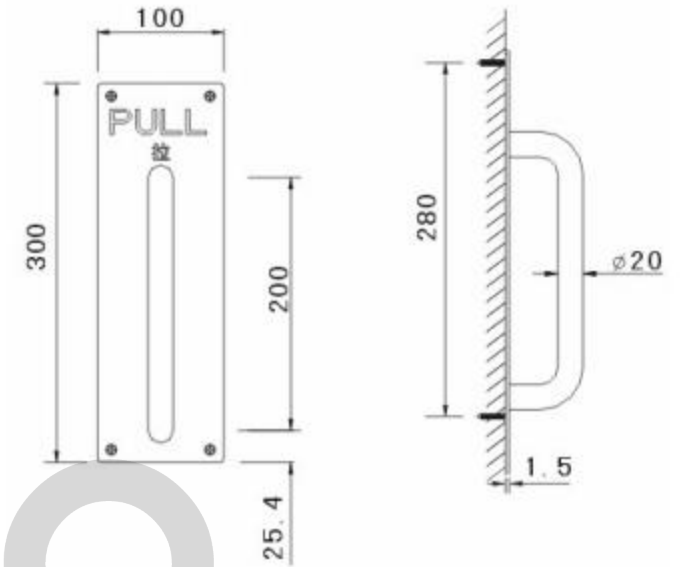
901030701001146



901030701003146



901030701002146



**HW-7 24**



961010101332218

Zinc Alloy

Chrome Plated

Applicable Door Thickness: 40-50mm

Lock Case Model: 60\*85C

Backset: 60mm

Center Distance: 85mm



XD313301

Zinc Alloy

Chrome Plated

Applicable Door Thickness: 40-50mm

Lock Case Model: 60\*85C

Backset: 60mm

Center Distance: 85mm

**HW-7 25**



961010101003102

Zinc Alloy

Satin Nickel Plated

Applicable Door Thickness: 40-50mm

Lock Case Model: 60\*85C

Backset: 60mm

Center Distance: 85mm



961010101010129

Zinc Alloy

Satin Brass

Applicable Door Thickness: 40-50mm

Lock Case Model: 60\*85C

Backset: 60mm

Center Distance: 85mm

**HW-7 26**



961010102002115

Aluminum Alloy

Anodized, Silver

Applicable Door Thickness: 40-50mm

Lock Case Model: 60\*85C

Backset: 60mm

Center Distance: 85mm



XD315301

+ (86) 186 8880 7020

Zinc Alloy

24K Gold Plated

Applicable Door Thickness: 40-50mm

Lock Case Model: 60\*85C

Backset: 60mm

Center Distance: 85mm

**HW-7 27**



FD637601  
Aluminum Alloy  
Anodized, Silver  
Applicable Door Thickness: 40-50mm  
Lock Case Model: 60\*85C  
Backset: 60mm  
Center Distance: 85mm



FD637601  
Aluminum Alloy  
24K Gold Plated  
Applicable Door Thickness: 40-50mm  
Lock Case Model: 60\*85C  
Backset: 60mm  
Center Distance: 85mm

**HW-7 28**





**FA6329**



**FA6726**



**Dummy Trim**

Aluminum Alloy

Anodized, Silver

+ (86) 186-8880-7020

Applicable Door Thickness: 40-50mm

Lock Case Model: 60\*85C

Backset: 60mm

Center Distance: 85mm



**Back View**

**HW-7 29**



Satin



PVD



Mirror Polish



Dummy Trim  
Satin/Polish/PVD

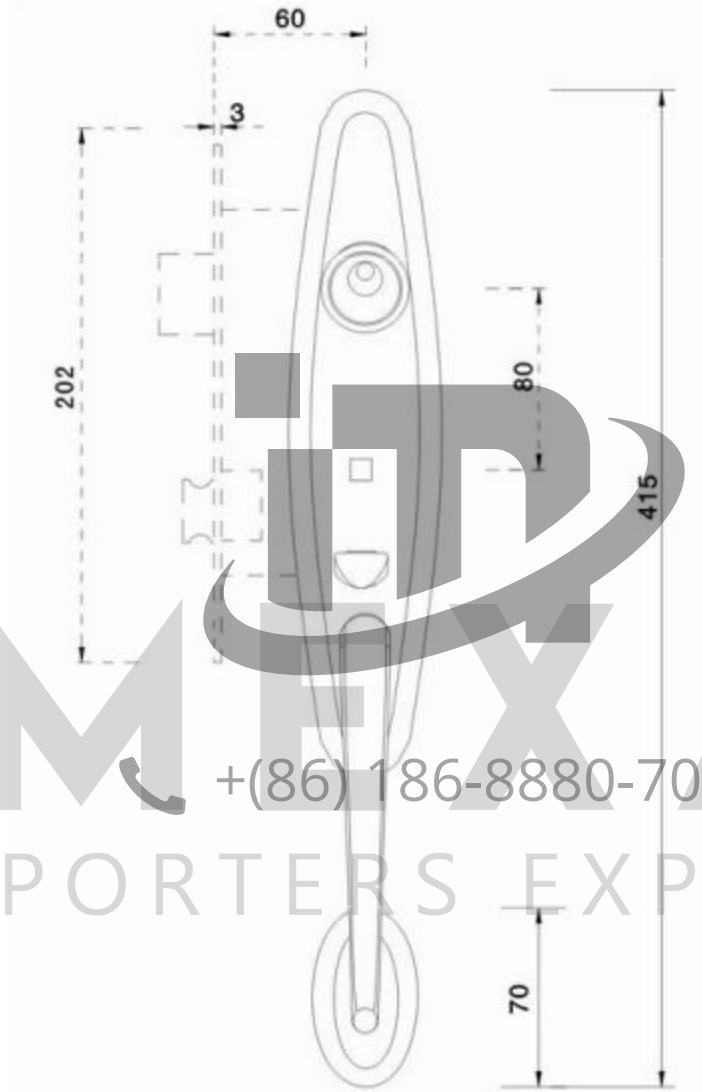
+ (86) 186-8880-7020

IMPORTERS EXPORTERS

**A6508**

Stainless Steel  
Lock Case Model: 60\*85C  
Backset: 60mm  
Center Distance: 85mm  
Applicable Door Thickness: 40-50mm

**HW-7 30**



P9070

Stainless Steel, Satin

Applicable Door Thickness: 45-60mm

Lock Case Model: 60\*80A

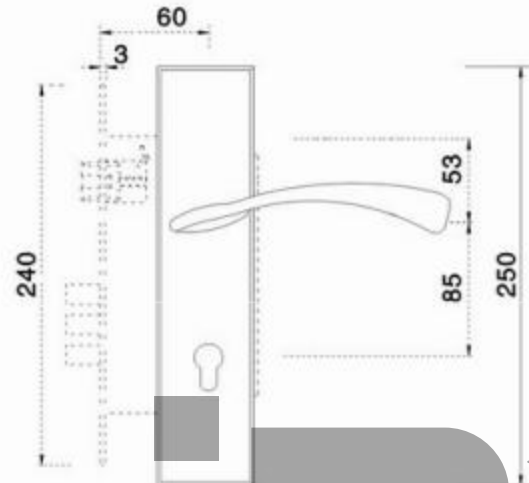
Backset: 60mm

Center Distance: 80mm

+ (86) 186-8880-7020

IMPORTERS EXPORTERS

**HW-7 31**



**M5573**

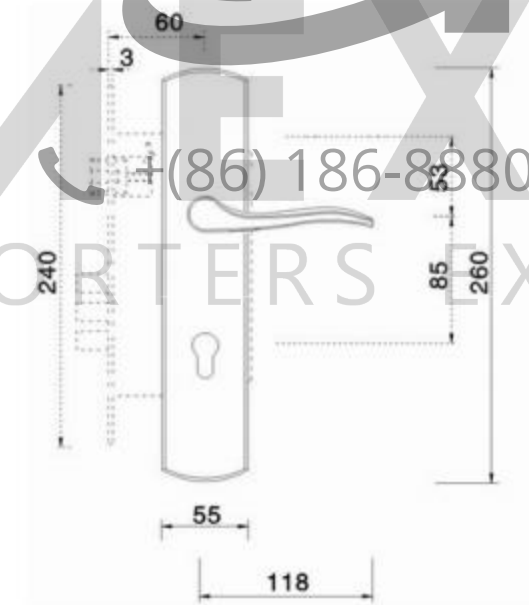
Stainless Steel, Satin

Applicable Door Thickness: 40-50mm

Lock Case Model: 60\*85C

Backset: 60mm

Center Distance: 85mm



**M5972**

Stainless Steel, Satin

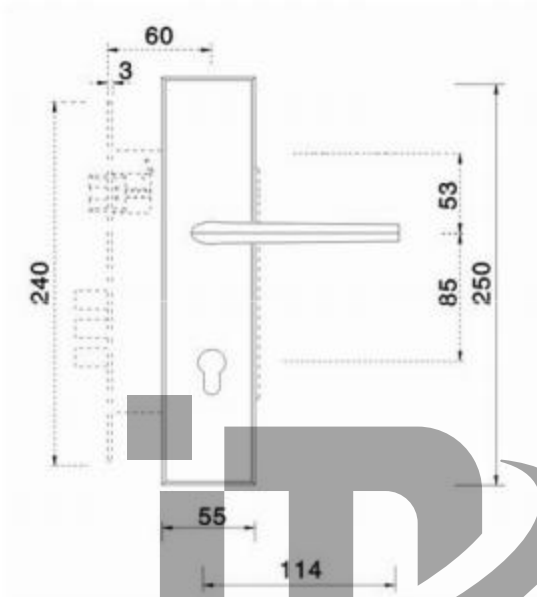
Applicable Door Thickness: 40-50mm

Lock Case Model: 60\*85C

Backset: 60mm

Center Distance: 85mm

**HW-7 32**



M9273

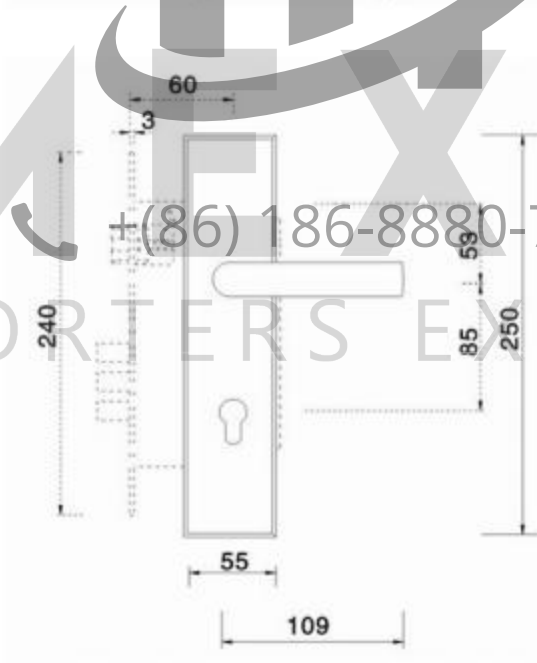
Stainless Steel, Satin

Applicable Door Thickness: 40-50mm

Lock Case Model: 60\*85C

Backset: 60mm

Center Distance: 85mm



M9373

Stainless Steel, Satin

Applicable Door Thickness: 40-50mm

Lock Case Model: 60\*85C

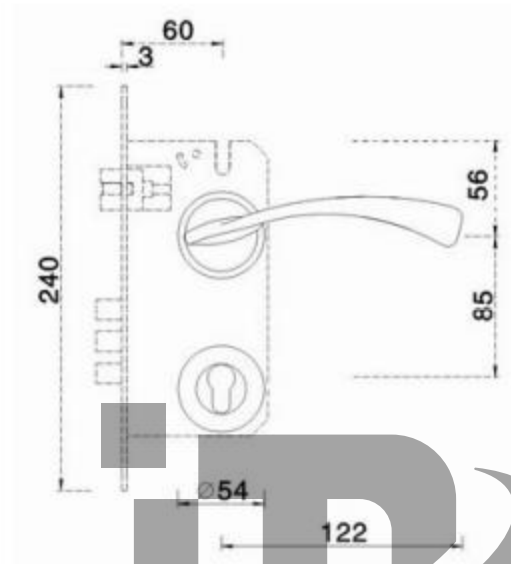
Backset: 60mm

Center Distance: 85mm

**HW-7 33**

+ (86) 186-8880-7020

IMEXAO IMPORTERS EXPORTERS



**Q5501**

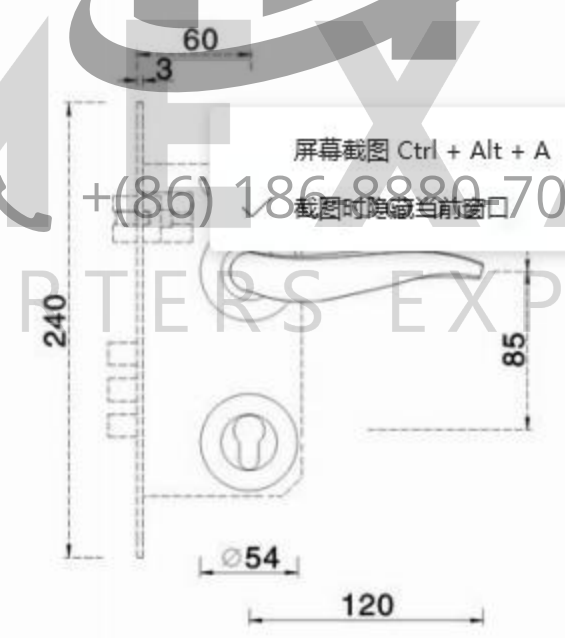
Stainless Steel, Satin

Applicable Door Thickness: 40-50mm

Lock Case Model: 60\*85C

Backset: 60mm

Center Distance: 85mm



**Q5701**

Stainless Steel, Satin

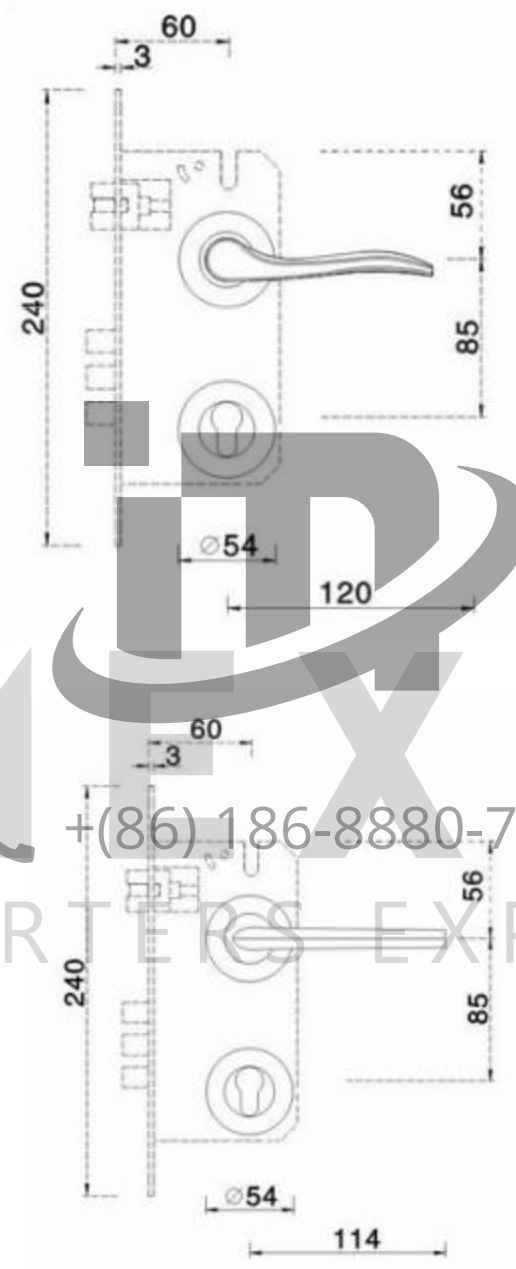
Applicable Door Thickness: 40-50mm

Lock Case Model: 60\*85C

Backset: 60mm

Center Distance: 85mm

**HW-7 34**



Q5901

Stainless Steel, Satin

Applicable Door Thickness: 40-50mm

Lock Case Model: 60\*85C

Backset: 60mm

Center Distance: 85mm



+ (86) 186-8880-7020

Q9201

Stainless Steel, Satin

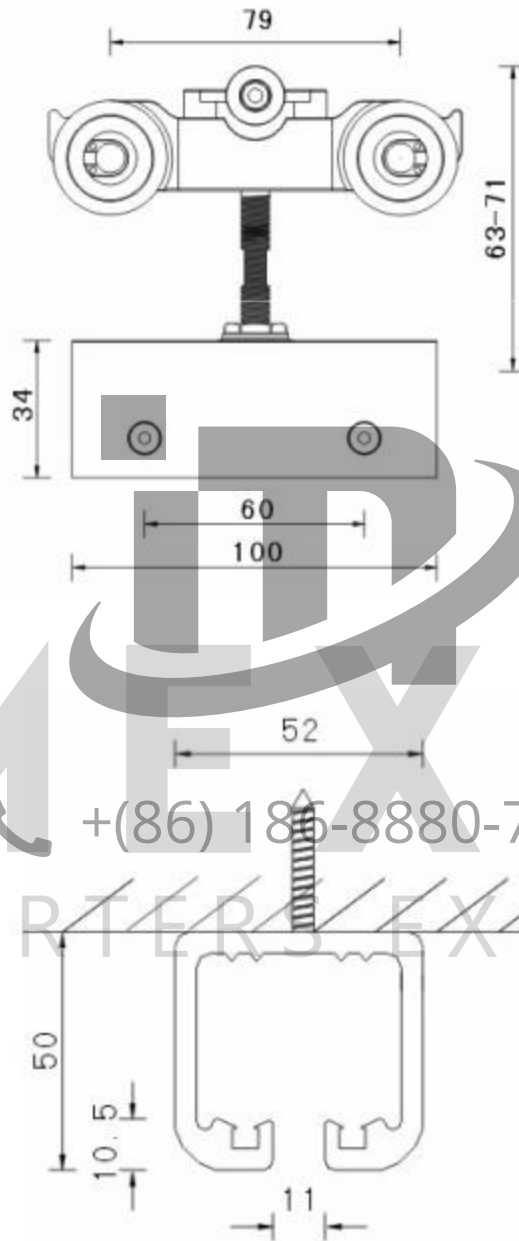
Applicable Door Thickness: 40-50mm

Lock Case Model: 60\*85C

Backset: 60mm

Center Distance: 85mm

**HW-7 35**



DL-5250

Zinc Alloy

Black Nickel Brushed

Load-bearing:  $\leq 150\text{kg}$



+ (86) 185-8880-7020

5250 Top Track

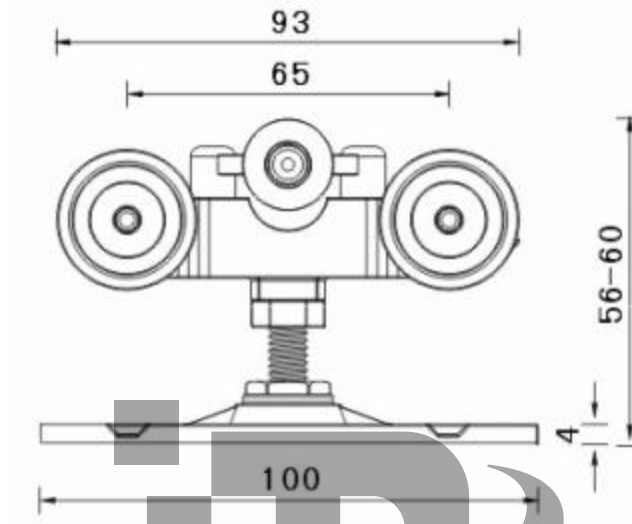
Aluminum Alloy

Electrophoresis

Champagne

**HW-7 36**



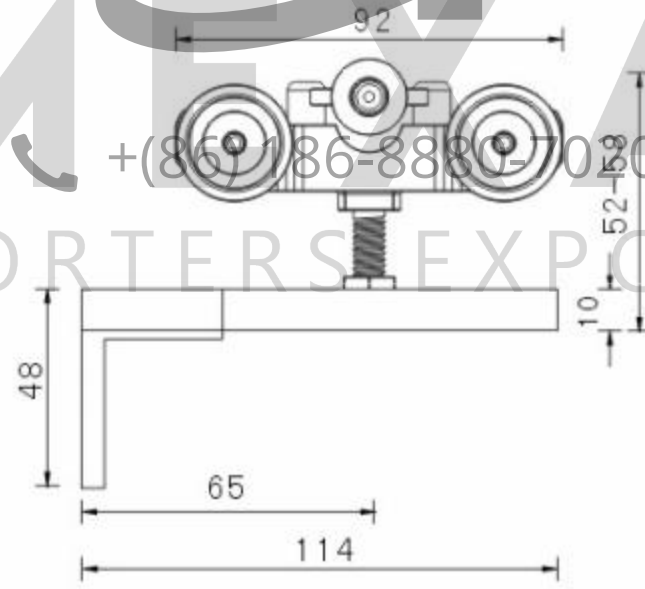


DL-3643A

Zinc Alloy

Black Nickel Brushed

Load-bearing:  $\leq 120\text{kg}$



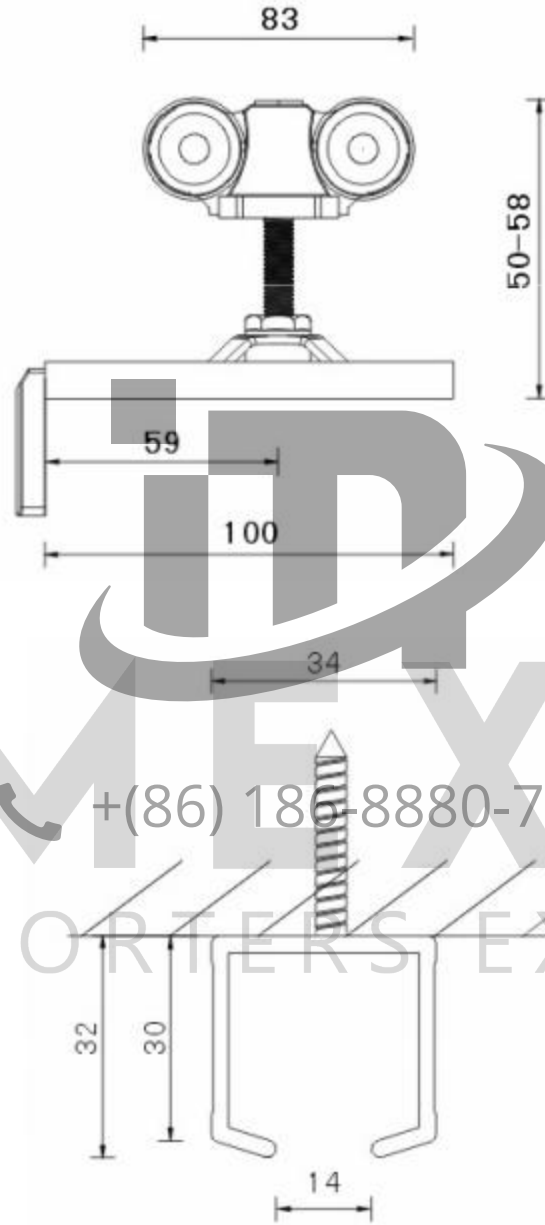
DL-3643B

Zinc Alloy

Black Nickel Brushed

Load-bearing:  $\leq 120\text{kg}$

**HW-7 37**



DL-3432A

Zinc Alloy

Satin Chrome

Load-bearing: 80-100kg



+ (86) 186-8880-7020

3432 Top Track

Aluminum Alloy

Satin, Silver

**HW-7 38**



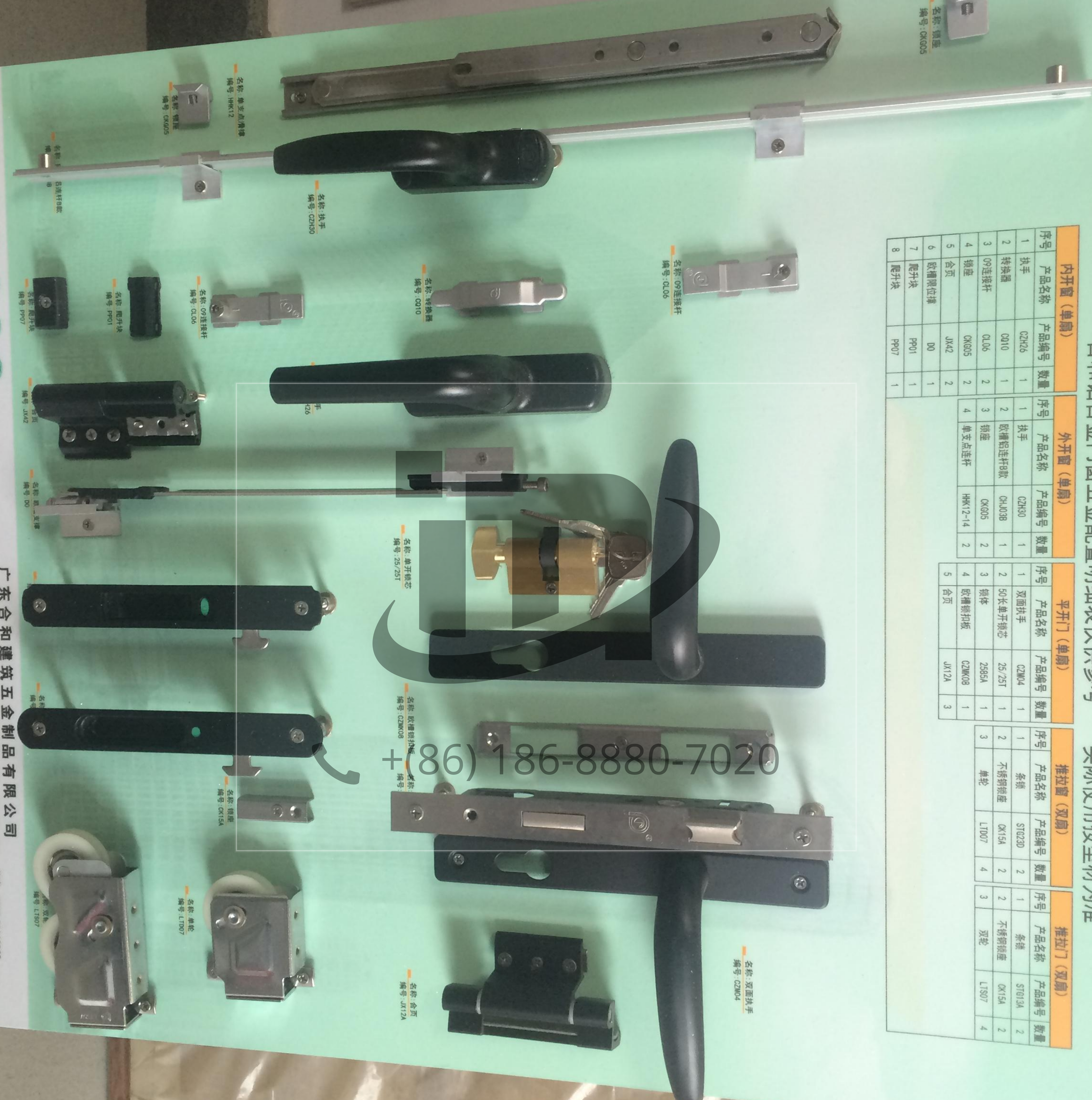
合和建筑五金

为建筑创造价值

0757-87310888 www.ss-hehe.com

合和铝合金门窗五金配置明细表仅供参考 实际使用按型材为准

内开窗 (单扇)			外开窗 (单扇)			平开门 (单扇)			推拉窗 (双扇)			推拉门 (双扇)			
序号	产品名称	产品编号	数量	序号	产品名称	产品编号	数量	序号	产品名称	产品编号	数量	序号	产品名称	产品编号	数量
1	执手	QZH26	1	1	执手	QZH30	1	1	双面执手	QZMK4	1	1	条锁	STG230	2
2	转换轴	QJ10	1	2	欧槽铝连杆8款	QKJ038	1	2	50长单开执芯	25/25T	1	2	不锈钢锁座	QK15A	2
3	09连接杆	QL06	2	3	锁座	QK605	2	3	锁体	2955A	1	3	单轮	LT007	4
4	锁座	QK605	2	4	单支点连杆	HK12-14	2	4	欧槽翻扣板	QZMK08	1	3	双轮	LTS07	3
5	合页	JK42	2					5	合页	JK12A	3				
6	欧槽限位块	D0	1												
7	爬升块	PP01	1												
8	爬升块	PP07	1												

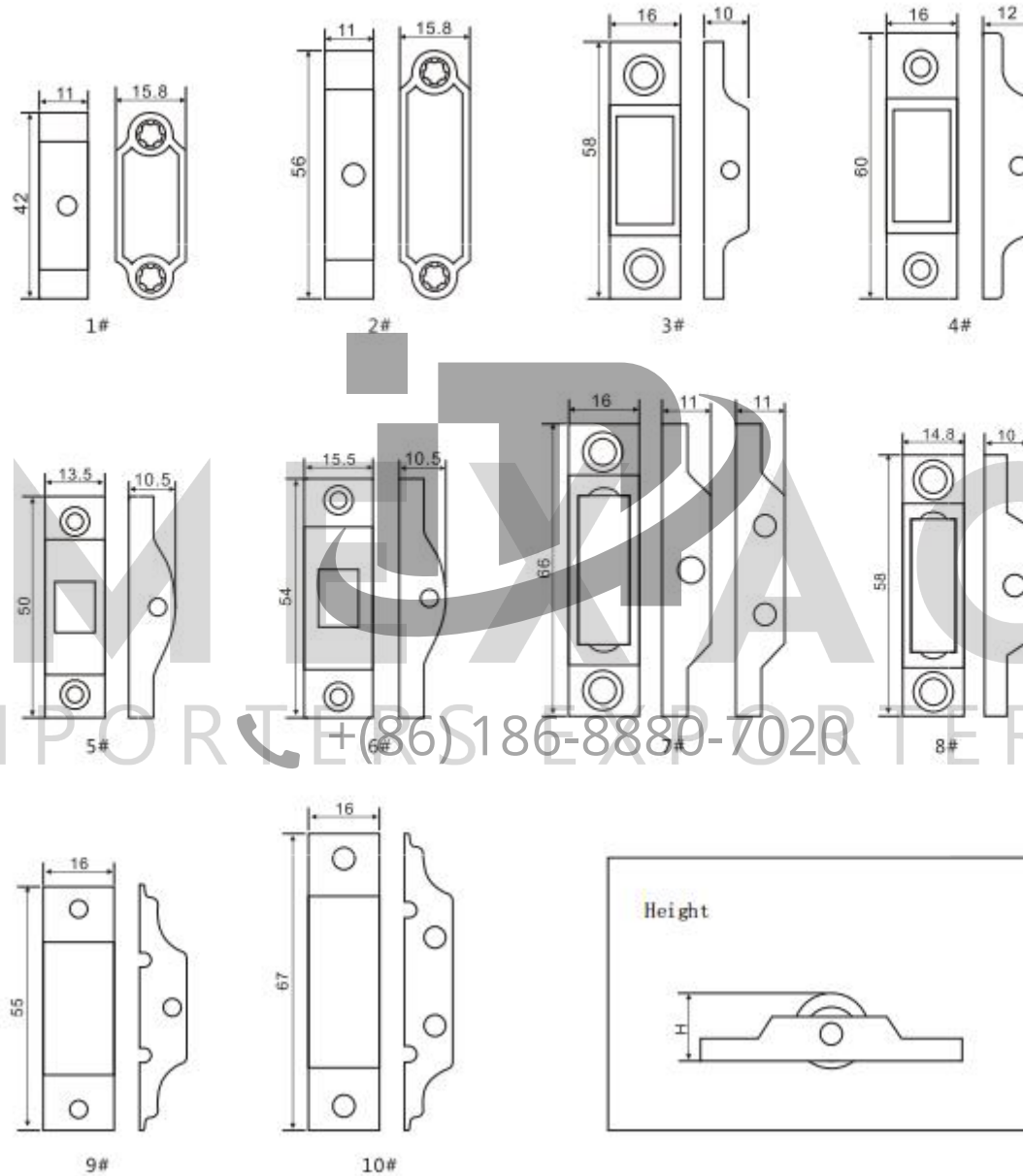


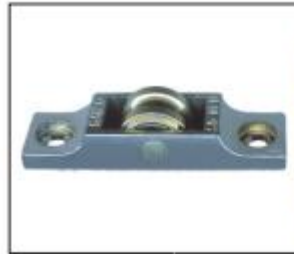
Window & Door Accessories

广东合和建筑五金制品有限公司  
地址: 广东省佛山市三水西南街道永业路1号 电话: 0757-87310888 传真: 0757-87318666  
邮编: 528100 网址: www.ss-hehe.com 网址: master@ss-hehe.com

+86) 186-8880-7020

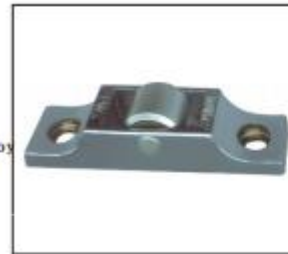
## Sliding Wheel Supporter Drawing





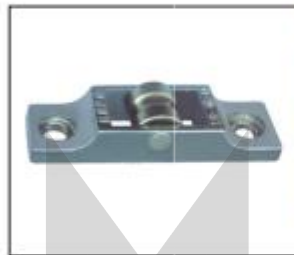
9.10.20005

For: UPVC sliding windows  
Supporter width: 4#  
Roller Height: 14.8mm  
Axle: φ5mm  
Main Material: Copper, zinc alloy  
Finishing: Satin nickel  
Bearing: <30kg/2pcs  
Life: >30000times



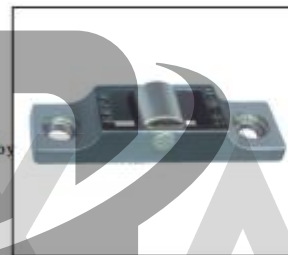
9.10.20006

For: UPVC sliding windows  
Supporter width: 4#  
Roller Height: 14.8mm  
Axle: φ5mm  
Main Material: Copper, zinc alloy  
Finishing: Satin nickel  
Bearing: <30kg/2pcs  
Life: >30000times



9.10.20007

For: UPVC sliding windows  
Supporter width: 4#  
Roller Height: 15.8mm  
Axle: φ5mm  
Main Material: Al alloy, Zn alloy  
Finishing: Satin nickel  
Bearing: <30kg/2pcs  
Life: >30000times



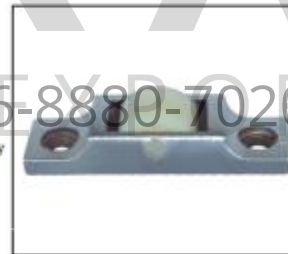
9.10.20008

For: UPVC sliding windows  
Supporter width: 4#  
Roller Height: 15.8mm  
Axle: φ5mm  
Main Material: Al alloy, Zn alloy  
Finishing: Satin nickel  
Bearing: <30kg/2pcs  
Life: >30000times



9.10.20009

For: UPVC sliding windows  
Supporter width: 3#  
Roller Height: 14mm  
Axle: φ4mm  
Main Material: Nylon, zinc alloy  
Finishing: Satin nickel  
Bearing: <25kg/2pcs  
Life: >30000times



9.10.20010

For: UPVC sliding windows  
Supporter width: 3#  
Roller Height: 13.5mm  
Axle: φ5mm  
Main Material: Nylon, zinc alloy  
Finishing: Satin nickel  
Bearing: <35kg/2pcs  
Life: >30000times



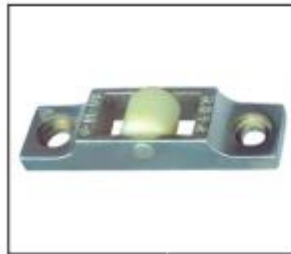
9.10.20011

For: UPVC sliding windows  
Supporter width: 6#  
Roller Height: 12.5mm  
Main Material: Al alloy, Zn alloy  
Finishing: Zn electroplating  
Bearing: <15kg/2pcs  
Life: >20000times



9.10.20012

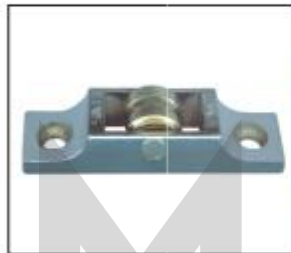
For: UPVC sliding windows  
Supporter width: 6#  
Roller Height: 12.5mm  
Main Material: Al alloy, Zn alloy  
Finishing: Zn electroplating  
Bearing: <15kg/2pcs  
Life: >20000times



**9.10.20015**  
For: UPVC sliding windows  
Supporter width: 3#  
Roller Height: 12mm  
Main Material: Nylon, Zinc alloy  
Finishing: Satin nickel  
Bearing: <15kg/2pcs  
Life: >20000times



**9.10.20016**  
For: UPVC sliding windows  
Supporter width: 5#  
Roller Height: 12mm  
Main Material: Nylon, Zinc alloy  
Finishing: Satin nickel  
Bearing: <15kg/2pcs  
Life: >20000times



**9.10.20017**  
For: UPVC sliding windows  
Supporter width: 8#  
Roller Height: 13.5-15mm  
Axle:  $\phi$ 4mm  
Main Material: Copper, zinc alloy  
Finishing: Satin nickel  
Bearing: <20kg/2pcs  
Life: >30000times



**9.10.20018**  
For: UPVC sliding windows  
Supporter width: 8#  
Roller Height: 13.5-15mm  
Axle:  $\phi$ 4mm  
Main Material: Copper, zinc alloy  
Finishing: Satin nickel  
Bearing: <20kg/2pcs  
Life: >30000times



**9.10.20019**  
For: UPVC sliding windows  
Supporter width: 3#  
Roller Height: 13.5mm  
Axle:  $\phi$ 5mm  
Main Material: Copper, zinc alloy  
Finishing: Satin nickel  
Bearing: <40kg/2pcs  
Life: >30000times



**9.10.20020**  
For: UPVC sliding windows  
Supporter width: 3#  
Roller Height: 13.5mm  
Axle:  $\phi$ 5mm  
Main Material: Copper, zinc alloy  
Finishing: Satin nickel  
Bearing: <40kg/2pcs  
Life: >30000times



**9.10.20021**  
For: UPVC sliding windows & doors  
Supporter width: 7#  
Roller Height: 13.5mm  
Axle:  $\phi$ 5mm  
Main Material: Copper, zinc alloy  
Finishing: Satin nickel  
Bearing: <40kg/2pcs  
Life: >30000times



**9.10.20022**  
For: UPVC sliding windows & doors  
Supporter width: 7#  
Roller Height: 13.5mm  
Axle:  $\phi$ 5mm  
Main Material: Copper, zinc alloy  
Finishing: Satin nickel  
Bearing: <40kg/2pcs  
Life: >30000times



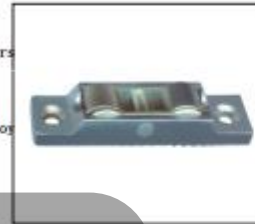
**9.10.20025**  
For: UPVC sliding windows & doors  
Supporter width: 7#  
Roller Height: 13.5mm  
Axle:  $\phi$ 4mm  
Main Material: Copper, zinc alloy  
Finishing: Satin nickel  
Bearing: <30kg/2pcs  
Life: >30000times



**9.10.20026**  
For: UPVC sliding windows & doors  
Supporter width: 7#  
Roller Height: 13.5mm  
Axle:  $\phi$ 4mm  
Main Material: Copper, zinc alloy  
Finishing: Satin nickel  
Bearing: <30kg/2pcs  
Life: >30000times



**9.10.22427**  
For: UPVC sliding windows & doors  
Supporter width: 14mm  
Roller Height: 13.5mm  
Axle:  $\phi$ 5mm  
Main Material: Copper, zinc alloy  
Finishing: Satin nickel  
Bearing: <40kg/2pcs  
Life: >30000times



**9.10.22428**  
For: UPVC sliding windows & doors  
Supporter width: 14mm  
Roller Height: 13.5mm  
Axle:  $\phi$ 5mm  
Main Material: Copper, zinc alloy  
Finishing: Satin nickel  
Bearing: <40kg/2pcs  
Life: >30000times



**9.10.50035**  
For: UPVC sliding screen Windows  
Supporter width: 10mm  
Roller Height: 10.0mm  
Axle:  $\phi$ 2.5mm  
Main Material: Copper, nylon  
Bearing: <10kg/2pcs  
Life: >20000 times



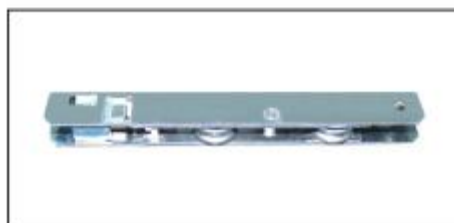
**9.10.50036**  
For: UPVC sliding screen Windows  
Supporter width: 8.0mm  
Roller Height: 7.75mm  
Axle:  $\phi$ 2.5mm  
Main Material: Copper, nylon  
Bearing: <10kg/2pcs  
Life: >20000 times



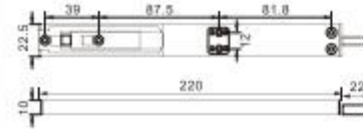
**9.10.43839**  
For: UPVC 80/88 profiles Sliding Windows  
Supporter width: 14-16mm  
Roller Height: 12-14mm  
Main Material: Stainless steel, nylon  
Bearing: <50kg/2pc  
Life: >30000 times



**9.10.43840**  
For: UPVC 80/88 profiles Sliding Windows  
Supporter width: 14-16mm  
Roller Height: 12-14mm  
Main Material: Stainless steel, nylon  
Bearing: <50kg/2pcs  
Life: >30000 times

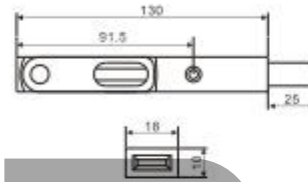


**9.10.23938**  
For: UPVC sliding windows & doors (European groove)  
Supporter width: 12mm  
Roller Height: 19.5-24.5mm  
Main Material: Steel, copper  
Bearing: <120kg/2pcs  
Life: >30000 times



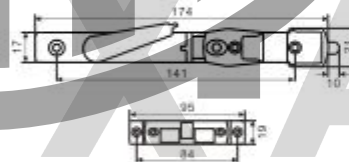
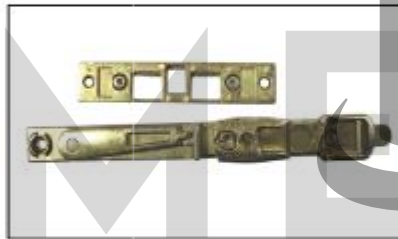
9.29.10301

For: UPVC, Al alloy and wooden casement windows & doors  
Main Material: Zinc alloy  
Color: White(Colors made to order)  
Finishing: Electrostatic powder coating



9.29.20605 \*

For: UPVC, Al alloy and wooden casement windows & doors  
Color: Silvery white or yellow  
Main Material: Zinc alloy



9.29.20406

For: UPVC, Al alloy and wooden casement windows & doors  
Color: Silvery white or yellow  
Main Material: Zinc alloy



9.31.50505

For: UPVC, Al alloy and wooden sliding windows & doors  
Main Material: ABS  
Color: White(Colors made to order)



9.31.50506

9.31.50507

For: UPVC, Al alloy and wooden sliding windows & doors  
Main Material: (9.31.50506) ABS, (9.31.50507) Zinc alloy  
Color: White(Colors made to order)





9. 13. 61201  
European-style Balance

Sizes: 400/450/500/550/600/650/700/  
750/800/850/900/950 (mm)



9. 13. 61203  
American-style Balance

Sizes: 400/450/500/550/600/650/700/  
750/800/850/900/950 (mm)



9. 11. 52301  
For: UPVC Vertical Pivot Windows  
Main Material: ABS  
Color: White (Colors made to order)

+ (86) 186-8880-7020



9. 11. 52303 \*  
For: UPVC Vertical Pivot Windows  
Main Material: ABS  
Color: White (Colors made to order)



9. 11. 58805  
For: UPVC, Aluminum alloy Vertical Pivot Windows  
Main Material: Zinc alloy  
Color: White (Colors made to order)

9. 26. 74601  
PU Foam

Contents: 750ml  
Expansion: 60 times  
German Quality DIN 4102  
CFC Free



#### Product Description

One-component polyurethane foam is used preferably for insulation and installation in the construction sector. Applications can be filling cavities, break-through, cracks and gaps, sound and heat insulation, bonding, fixing, mounting, etc.

#### Product Features

- Processing temperature (can and environment) is between +5°C and +35°C.
- Optimum processing temperature is between +18°C and 25°C.
- Range of temperature resistance of cured foam is from -30°C to 80°C.
- The foam will adhere to material such as concrete, masonry, metal, wood and plastic except teflon and silicone.
- Cured foam is non-toxic.

#### Notice

- All surfaces should be cleaned from oil, greases, loose particles and dust. Dry surfaces should be well sprayed or dampened with water.
- Fill vertical gaps from the bottom up (pay attention to foam expansion).
- The foam discharge rate can be regulated with the trigger and controlled with flow adjustment screw.
- Turn off the flow adjustment screw clockwise-direction when finishing.
- Before replacing can, shake new can vigorously, unscrew empty can and immediately (within 1 minute) replace with a new foam can.
- Before curing, foam can be removed and cleaned with PU Cleaner either with the gun or with adapter. Cleaning of the screw adapter with cleaner is recommended.
- Tack free time is 10min. The foam can be cut after about 20min, has cured after 1 hour and is stable within 3-5hours (all data based on application under laboratory conditions).
- It gets decomposed by direct exposure to UV rays, so painting or coating is recommended.

#### Application Example

- Installation of switches and sockets.
- Gap between wall and air-conditioner or wall and exhaust fan.
- Filling and sealing of gaps between wall and pipes.

9. 26. 74603  
Cleaner  
Contents:500ml



#### PUWEI Cleaner

This product is especially for the clean of our PU Foam. It is mainly used to clean inner side of the foam gun and foam tube applied with the foam, and their outer places too.

#### Usage Instructions

- After using PU foam, unscrew the foam can from the gun. Within one minute, screw the cleaner can onto the gun.
- For cleaning the gun inside, pull the trigger of the gun several times.
- For cleaning the gun valve on the PU foam can, use the gun with cleaner can.
- For cleaning the gun outside, take the cleaner can off from the gun. Hold the cleaner can up side and push the valve to get the cleaner out. Clean the outside of the gun and its valve until all fresh foam is removed.
- After cleaning the gun, close the adjustment screw.
- For cleaning or removing fresh foam see setpl.

#### Notice

- Wear protective gloves and goggles during work.
- Good ventilation during use.
- In case of accident, feeling unwell, seek medical advice immediately.
- Top up placed during storage or transportation, be kept in cold, ventilated and d condition (high temperature may lead to a shorter guarantee life). We keep the right to change product's physical and chemical features for our product innovation.

**IMEXAO**  
IMPORTERS EXPORTERS  
+ (86) 186-8880-7020

9. 27. 74804

Silicon Glass Sealant

Contents:310ml



#### Product Description

Weatherproof Silicone Sealant has excellent cohesion to most of building substrates, such as glass, coating glass, aluminum and stone etc. The product can be used at any moment and no needing mixed. It is for neutral cure, no cauterization, and good displacement capability silicone sealant. The product has excellent weatherproof capability, and the property is not changed in the temperature between  $-30^{\circ}\text{C}$  and  $150^{\circ}\text{C}$ . The product is up to the standard of GB14684-2003 tested by relative national authority department of China.

#### USAGE

- Suitable used for glass, coating glass, stone (marble and granite), aluminum composed sheets, pure aluminum sheets curtain-wall etc as no structural sealant.
- Glass monitor, metal project, other building and industries usage as no structural sealant.

#### Shelf Life

12 months storing in dry and cool place temperature between  $-20^{\circ}\text{C}$  and  $27^{\circ}\text{C}$ .

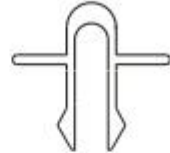
#### Transportation

The product is not for flammable and explosive materials, which can be delivered according to general cargo. But it is necessary to keep the sun proof, rain proof and extrusion proof in transportation.

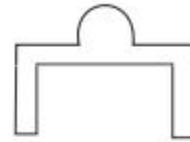
9. 24. 65701  
Aluminum Rail



1#



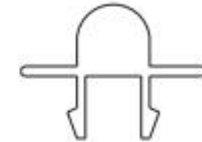
2#



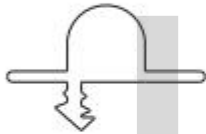
3#



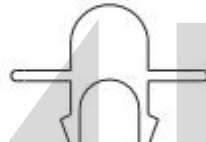
4#



5#



6#



7#



8#



9#



10#

PUWEI sliding rail is produced strictly following the national standards of GB6892-86.

Chemical Contents

Si 0.2-0.6%

Fe =0.35%

Cu =0.10%

Mn =0.10%

Tensile Strength =157Mpa

Elongation Rate  $\geq$  8%.

9. 25. 55201  
Complete PVC

9. 25. 55202  
Logo painted

9. 25. 55203  
First degree

9. 25. 55602  
EPDM Gasket Seal

9. 25. 55503  
Bubbling Gasket Seal

- Prices are related to the original material so it is offered by kg.
- Shapes matter little in prices, but matters a lot in meters.
- Minimum order quantity is 1000kgs.



1#



2#



3#



4#



5#



6#



7#



8#



9#



10#



11#



12#



13#



14#



15#



16#



17#



18#



19#



20#



21#



22#



23#



24#



25#



26#



27#



28#



29#



30#



31#



32#



33#



34#

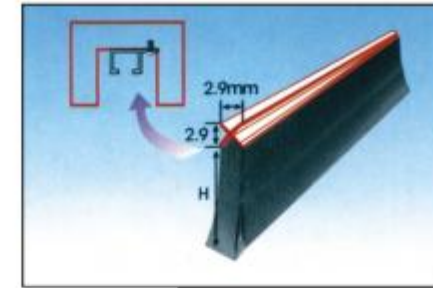
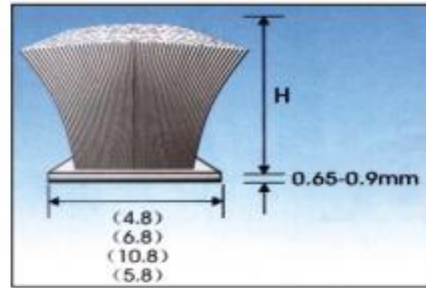


35#

IMEXAO  
 IMPORTERS EXPORTERS  
 (86) 180-8880-7020

9.21.51101

First-degree brush seal



9.2151102

Silicon brush seal

9.2151103

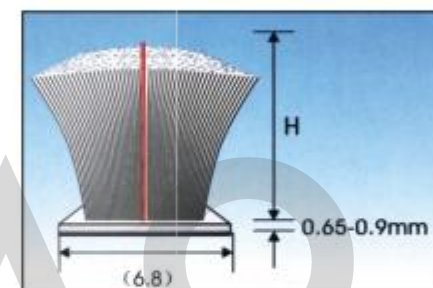
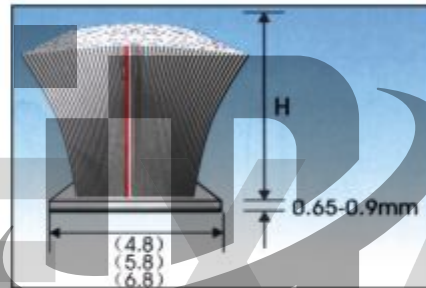
Silicon with plastic

9.2151104

Silicon with cloth

9.2151105

Sticky brush seal

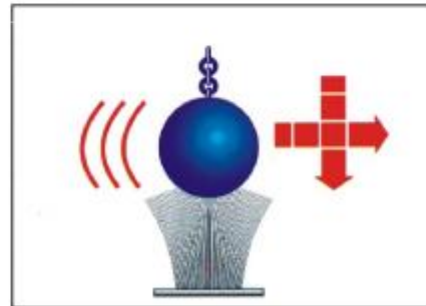
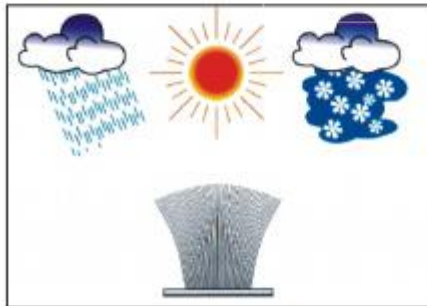


● Package: 400m/roll, 4 rolls/Ctn

● Color: Grey for normal color,

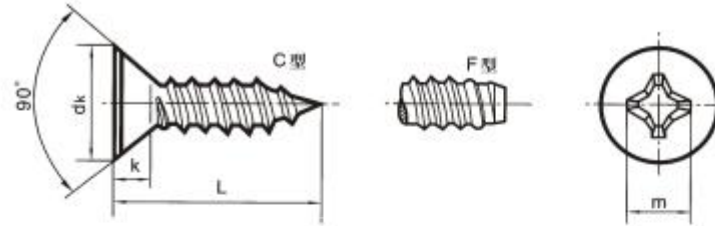
Black or white made to order.

IMPORTERS EXPORTERS (86)186-8880-7020



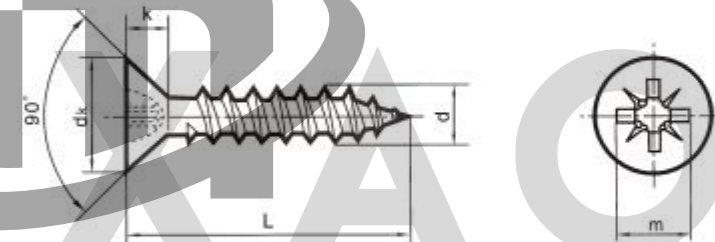
9. 20. 22201  
Countersunk Self  
Tapping Screw

Sizes: 4x12 / 4x14 / 4x16 / 4x20 /  
4x25 / 4x30 / 4x35 / 4x40



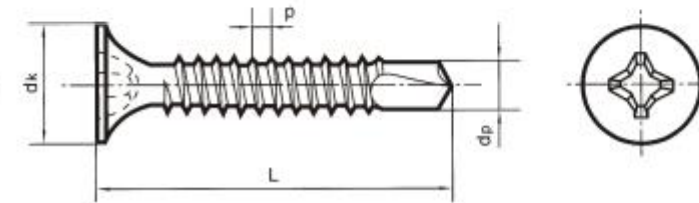
9. 20. . 22203  
Countersunk Drywall Screw

Sizes: 5x50 / 5x60 / 5x70

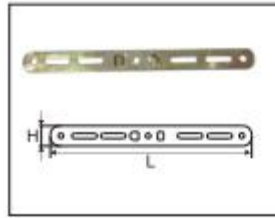


9. 20. . 22205  
Countersunk Self Drilling Screw

Sizes: 4. 2x13 / 4. 2x16 /  
4. 2x19 / 4. 2x25 / 4. 2x38





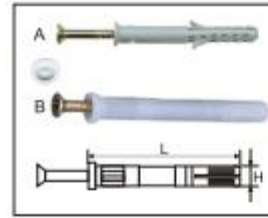


9.20.25801  
Fixation Steel Plate

Units in mm

L	130	170	200	230	250
H	18, 20				

Sizes can be made to order.



9.20.22202A  
9.20.25903B  
Plastic Expansion  
Screws / Bolts

Type	CoL (mm)
A	8x70 8x100
B	10x100

Sizes can be made to order.

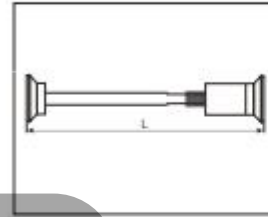


9.20.26004  
Steel Expansion  
Screws / Bolts

Units in mm

L	80	100	120	150
H	10			

Sizes can be made to order.

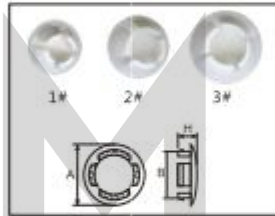


9.20.26005  
连接螺栓

单位: mm

L	60	80	100	120
---	----	----	-----	-----

可根据客户的要求定制。



9.20.25906  
Plastic Cover

Units in mm

Item	A	B	H
1#	12.5	8	7
2#	14.5	9.5	9
3#	17	11.5	9



9.20.22307  
Screw Caps



9.20.22808  
Yellow Bullet Nail

9.20.22809  
Red Bullet Nail

9.20.22810  
Bullet Nail Clip



9.20.22811  
Shot Nail

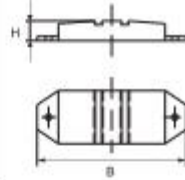
Size: 27, 32 (mm)



9.20.22812  
Nail Gun



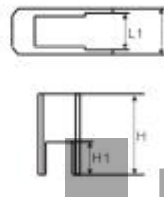
9.20.22813  
Nail Gun



Item No.	B	H
9.17.52301	30	9
9.17.52302	32	9
9.17.52303	32	6
9.17.52304	34	9
9.17.52305	36	9
9.17.52306	37	13

### Wind Bridge

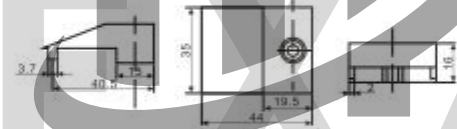
For: UPVC sliding windows & doors  
 Main Material: Polypropylene, ABS  
 Color: White (Colors Made to Order)



Item No.	L	L1	H	H1
9.17.52307	19.5	11	40	27.5
9.17.52308	19.5	10	40	27.5
9.17.52309	19.5	9	40	27.5
9.17.52310	21	11	43	35

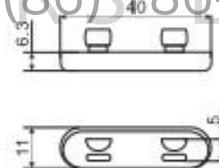
### Stop Block

For: UPVC sliding windows & doors  
 Main Material: Polypropylene, ABS  
 Color: White (Colors Made to Order)



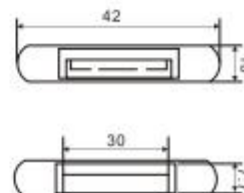
### 9.17.52311 Lifting Board

For: UPVC casement windows & doors  
 Main Material: Polypropylene, ABS  
 Color: White (Colors Made to Order)



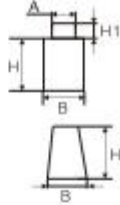
### 9.17.52312 Draining Cap

For: UPVC casement and sliding windows & doors  
 Main Material: Polypropylene, ABS  
 Color: White (Colors Made to Order)



### 9.17.52313 American-style Draining Cap American style Drain Germinal Lid

For: UPVC casement and sliding windows & doors  
 Main Material: Polypropylene, ABS  
 Color: White (Colors Made to Order)

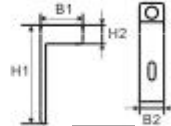


Item No.	H1	H1	H1	H1
9. 17. 52314	/	10	/	14
9. 17. 52315	/	12	/	15
9. 17. 52316	/	13	/	15
9. 17. 52317	5	13	10	15
9. 17. 52318	5	15	16	15
9. 17. 52319	5	16	16	15
9. 17. 52320	/	6.5	/	24

9. 17. 52314-20

Fender

For: UPVC sliding windows & doors  
 Main Material: Polyvinylchloride  
 Color: Black (Colors Made to Order)



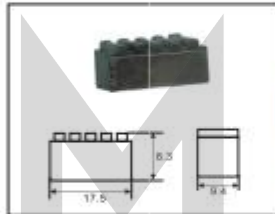
Item No.	H1	H2	B1	B2
9. 17. 52321	35	7.5	10.5	12
9. 17. 52322	49	10	22	15

9. 17. 52321

9. 17. 52322

Corner Block

For: UPVC casement & sliding windows & doors  
 Main Material: Polypropylene  
 Color: White (Colors Made to Order)



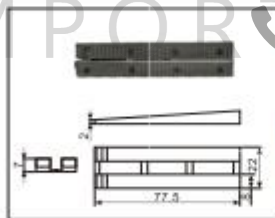
9. 17. 52323  
 Single Glass Pad

For: UPVC or Al casement & sliding windows & doors  
 Main Material: Polypropylene  
 Color: Black (Colors Made to Order)



9. 17. 52324  
 Couple Glass Pad

For: UPVC or Al casement & sliding windows & doors  
 Main Material: Polypropylene  
 Color: Black (Colors Made to Order)



9. 17. 52325  
 Adjustable Glass Pad

For: UPVC or Al casement & sliding windows & doors  
 Main Material: Polypropylene  
 Color: Black (Colors Made to Order)



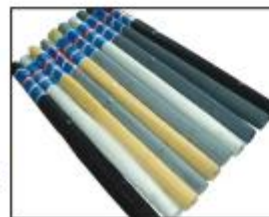
9. 17. 50426  
 German-style Glass Pad

For: UPVC or Al casement & sliding windows & doors  
 Main Material: ABS  
 Color: Black (Colors Made to Order)



9. 17. 50427  
 Single Window Catch

For: UPVC or Al casement & sliding windows & doors  
 Main Material: ABS  
 Color: Black (Colors Made to Order)



9. 32. 55402  
 Nylon Screen Mesh

The width: 1.2m / 1.5m  
 The length: 17m/roll, 100m/roll  
 Sizes: 1.2x17 / 1.5x17 / 1.2x100 / 1.5x100



Both model A and model B can be used in the first sealing of insulated glass.

9. 28. 73303A

Model A Tape:

Size: 4.0 (Width) \* 0.5 (Thickness) (mm)

Package: 25m/Coil & 10000m/Box

9. 28. 73303B

Model B Tape:

Size: 4.0 (Width) \* 0.5 (Thickness) (mm)

Package: 30m/Coil & 6000m/Box

Model B can be thickened by us, used for toughened or curtain wall insulated glass.

9. 28. 73303C

Model C Tape:

Size: 8-12 (Width) \* 1.0-1.2 (Thickness) (mm)

Package: 20m/Coil & 4000m/Box

Used in American window production technology for the adhesion between the glass and window sash, firm sealing and replacing model K sealing tape. Used in the adhesion between stainless steel or mirror and fixed frame.



9. 28. 73304

Butyl Sealant (tape) Coating Machine

Used in drawing butyl tape on both sides of aluminum-alloy spacer.

No power consumption, simple operation.

Tape adhesion can be adjusted to a higher or lower position.



9. 28. 73305\*

Manually Operated Press

Used for cold press after two pieces of glass joined together.

Pneumatic tool, adjusted pressure, even press surface and

easy operation.

9. 28. 61909  
 Decoration Bar



Item Size	Width(section)	Height(section)	Length	Color
6A	6mm	13mm	4m	White
9A	9mm	13mm	4m	White



9. 28. 52910  
 Corner Insert

Normal sizes: 4A / 5.5A / 6A / 8A / 9A / 12A / 15A



9. 28. 52912  
 Cross Insert

Sizes: 6A / 9A



9. 28. 61913  
 Hollow Aluminum Bar

Item Size	Width(section)	Height(section)	Length	Package	Weight
6A	6mm	6mm	4m	Carton	30kg
9A	9mm	9mm	4m	Carton	30kg
12A	12mm	12mm	4m	Carton	30kg



PE Film

Item No.	Sticky	Size(s)(mm)	Thi ckne ss	Length	Not ice
9. 30. 71401	Normal	4' ' (100)	0. 05	40000	
9. 30. 71402	More	5' ' (125)			
		6' ' (150)			
9. 30. 71403	Most	49' ' (1250)			



9. 23. 76401  
Portable Pneumatic Outer Angle Burnishing Machine

9. 23. 76401a  
9. 23. 76401 Cutter Supporter

9. 23. 76402b  
9. 23. 76401 Cutter



9. 23. 76402  
Portable Pneumatic Inner Angle Burnishing Machine

9. 23. 76402a  
9. 23. 76402 Cutter Supporter



9. 23. 76503  
Portable Pneumatic Single Side Cleaning Machine

9. 23. 76503a  
9. 23. 76503 Cutter

---

Parameters:

Working Air Pressure: 0.65(Mpa)

V. D. C: 22000 (rpm)

Air Consumption: 0.2(m3/min)



9. 23. 76401  
Portable Pneumatic Outer Angle Burnishing Machine

9. 23. 76401a  
9. 23. 76401 Cutter Supporter

9. 23. 76402b  
9. 23. 76401 Cutter



9. 23. 76402  
Portable Pneumatic Inner Angle Burnishing Machine

9. 23. 76402a  
9. 23. 76402 Cutter Supporter



9. 23. 76503  
Portable Pneumatic Single Side Cleaning Machine

9. 23. 76503a  
9. 23. 76503 Cutter

---

Parameters:

Working Air Pressure: 0.65(Mpa)

V. D. C: 22000 (rpm)

Air Consumption: 0.2(m3/min)



9.23.76305  
Electric V-shape Corner Cleaning Machine



9.23.76306  
Electric Inner Angle Burnishing Machine



9.23.76307  
Electric Outer Angle Burnishing Machine



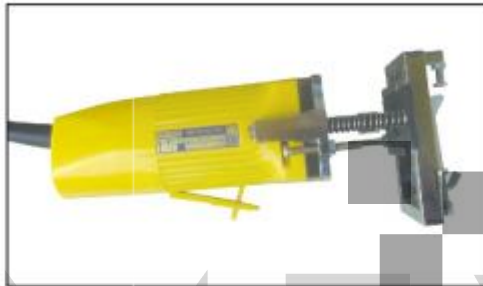
9.23.76308  
Electric Screen Window Outer Angle  
Burnishing Machine

Parameters  
Rated Voltage: 220(V)  
Frequency: 50(Hz)  
Power Rating: 230(W)  
Unloaded Speed: 0-1800(r/min)





9.23.76309 45  
Degree Bevel Electric Water-slot  
Burnishing Machine



9.23.76310  
Plane Electric Water-slot  
Burnishing Machine



9.23.76311  
Degree Bevel Electric Water-slot  
Burnishing Machine



IMEXAO

IMPORTERS EXPORTERS

+ (86) 186-8880-7020

**Wearing Parts for Electric Tools**



9.23.76312  
Drills



9.23.76313  
Cutter for  
9.23.76306  
& 9.23.76307



9.23.76314  
Cutter for Electric  
Water-slot Burnishing  
Machine.



9.23.76315  
Saw-blade  
for 9.23.76305

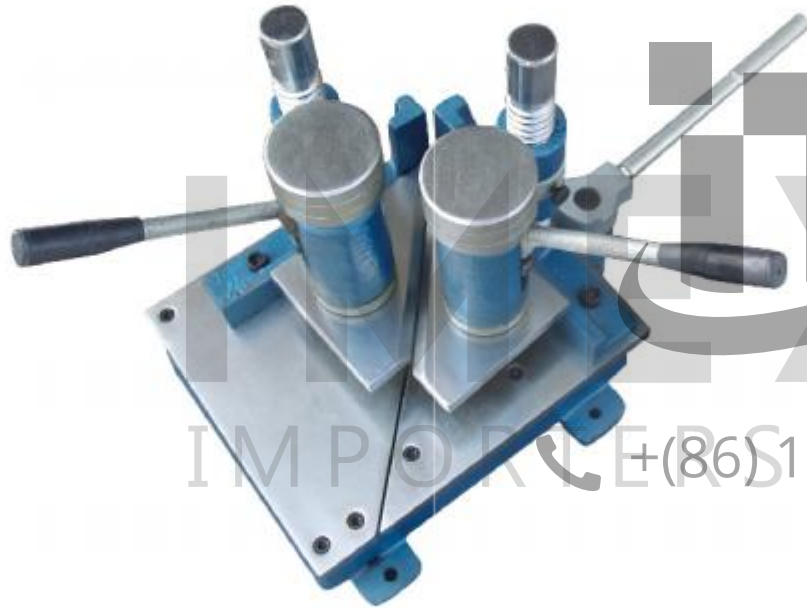


9.23.76316  
Carbon Brush

9. 23. 76717L

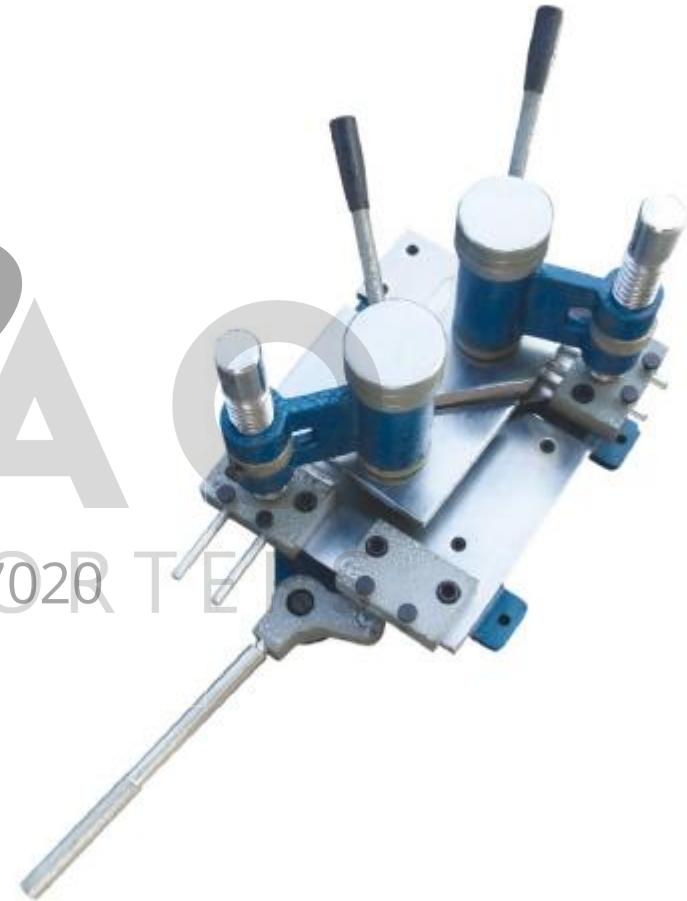
9. 23. 76717R

Manual Side Welder



9. 23. 76718

Manual Middle Welder



IMEXAO  
IMPORTERS EXPORTERS  
+ (86) 186-8880-7020 TEL



9. 37. 24622  
Metal Foaming Gun



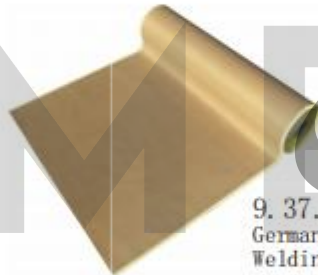
9. 37. 64524  
Soft Glass Glue Gun



9. 37. 64525  
Glass Glue Gun



9. 37. 77027 \*  
Swiss Gasket Angle Scissor



9. 37. 77039  
Germany Sticky  
Welding Blanket



9. 37. 77340  
Welding Blanket



9. 27. 77052 \*  
Weiss 2-part PUR Adhesive  
Package: 900g/pair, 6pairs/ctn



9. 27. 77054  
Weiss Cyanoacrylate Adhesive  
Package: 20ml/pc, 20pcs/box



9. 27. 77056  
Weiss PVC-adhesive Glue  
Package: 200g/pc, 30pcs/ctn



9. 37. 77458  
Powder Cleaner  
Package: 500g/bag, 50bags/ctn

Unit: mm

⑬ (Heavy style) Window & Door Ranges		
Sash height	500(Min)	2400(Max)
Sash width	600(Min)	1200(Max)

Unit: mm

⑩A (Light style) Window & Door Ranges		
Sash height	500(Min)	2400(Max)
Sash width	370(Min)	600(Max)



No.	Item Name	Item No.	QTY	Remark
1	Handle	8.05.30901	1	For your choice
2	Lifting board	8.15.30901	1	
3	Support block	8.15.20902	1	
4	Support rod	8.15.20903	1	
5	Shedding proof device	8.15.20904	1	
6	Blocks	8.15.20905	2	
7	Connecting rod	8.15.20906	1	
8	Fail safe device	8.15.20907	1	
9	Corner driver	8.15.20908	1	
10	Shims(Long rod)	8.15.40909	1	
10A	Shims(Short rod)	8.15.40910	1	
11	Top hinge (Cast stainless steel)	8.05.40901	1	
12	Bottom hinge (Cast stainless steel)	8.05.40902	1	
13	European wind supporter	8.05.40124	1	For your choice



- In broken line frame, they are alternative parts for your choice.
- Cast-stainless steel for top and bottom hinges with the max bearing 130kg. The bottom hinge is adjustable, the max bearing depends on the proportion between window's height and width, and the thickness of glass.
- Internal opening & Top hung accessories must be used with European wind supporter.
- The max. size of sash is suggested to not exceed 750mm (Width) x 1500mm (Height).
- When the sash width exceeds 750mm, we advice to install the second shim.
- This distribution is only for reference, please check your profile for detailed distribution. Any help you need, please contact our technology dep.





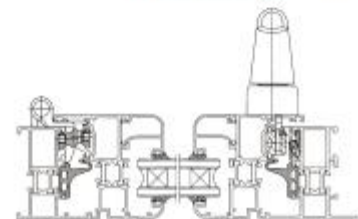
No.	Item Name	Item No.	4 Keeps	6 Keeps
1	Internal opening handle	For your choice	1	1
2	Single connecting device	8.15.50911	1	1
3	Double lock nail block	8.15.30912	2	2
4	Lock block	8.15.30905	4	6
5	Corner device	8.15.30908	3	3
6	Single lock nail block	8.15.50913		7
7	Lifting board	8.15.20914	1	1
8	Lifting board(Nylon)	8.15.50901	1	1
9	European wind supporter	8.05.40124	1	1
10	Hinge	For your choice	2	2

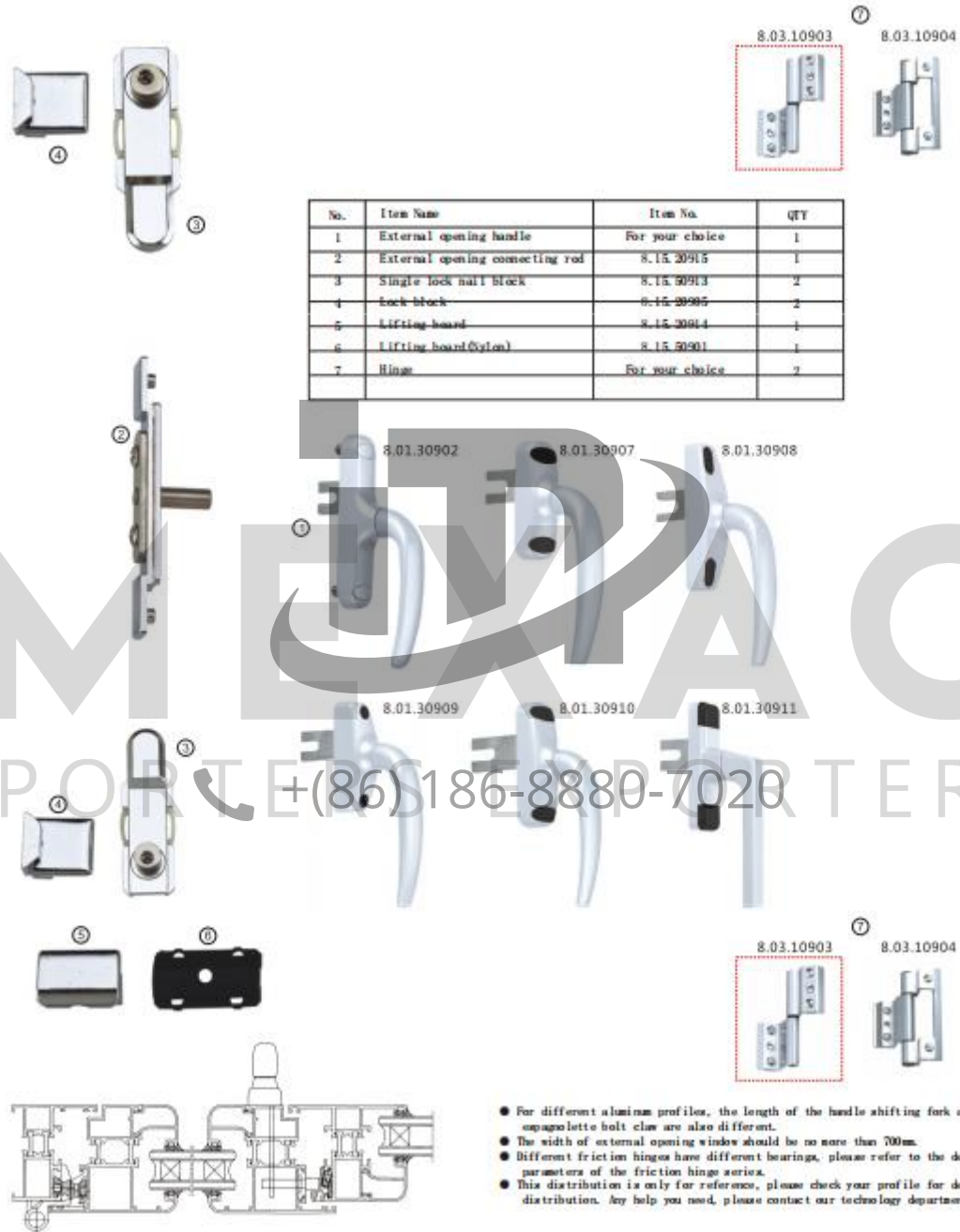


IMEXAO  
 IMPORTERS EXPORTERS  
 + (86) 186-8880-7020



- In break-in-line frame, they are alternative parts for your choice.
- Internal opening window must be used with European wind supporter.
- The max. size of sink is suggested to not exceed 750mm(W) x 1900mm(H) height.
- When the sink width exceeds 700mm, the sink height should be more than the width.
- The max. bearing of the hinge is 60kg. It is concerned with the proportion between window's height and width, and the thickness of glass.
- This distribution is only for reference, please check your profile for detailed distribution. Any help you need, please contact our technology department.





No.	Item Name	Item No.	QTY
1	External opening handle	For your choice	1
2	External opening connecting rod	8.15.30915	1
3	Single lock nail block	8.15.30913	2
4	Lock block	8.15.30905	2
5	Lifting board	8.15.30914	1
6	Lifting board(Nylon)	8.15.30901	1
7	Hinge	For your choice	2

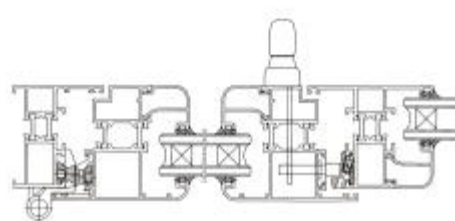
8.03.10903 8.03.10904

8.01.30902 8.01.30907 8.01.30908

8.01.30909 8.01.30910 8.01.30911

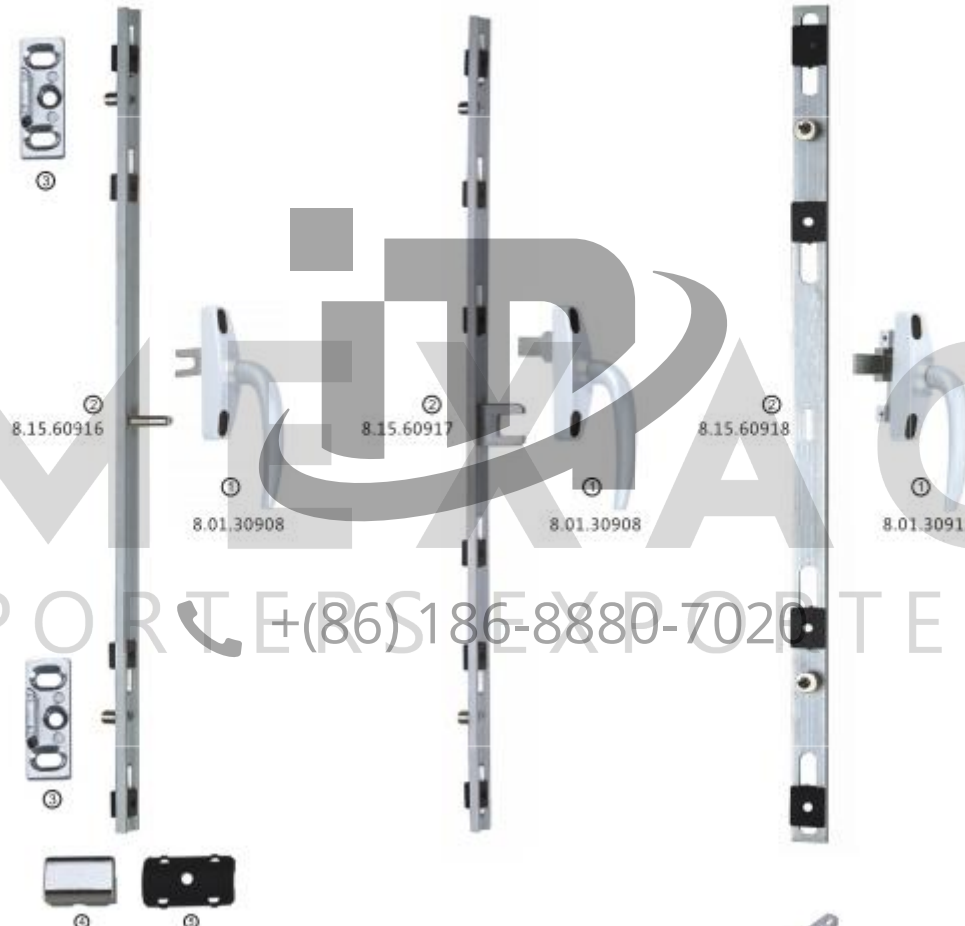
8.03.10903 8.03.10904

+



- For different aluminum profiles, the length of the handle shifting fork and camplate bolt claw are also different.
- The width of external opening window should be no more than 700mm.
- Different friction hinges have different bearings, please refer to the detailed parameters of the friction hinge series.
- This distribution is only for reference, please check your profile for detailed distribution. Any help you need, please contact our technology department.

No.	Item Name	Item No.	QTY
1	External opening handle	For your choice	1
2	External opening connecting rod	For your choice	1
3	Lock block	8.15.50919	2
4	Lifting board	8.15.20914	1
5	Lifting board (optional)	8.15.50901	1
6	Friction hinges	8.01.43101	2

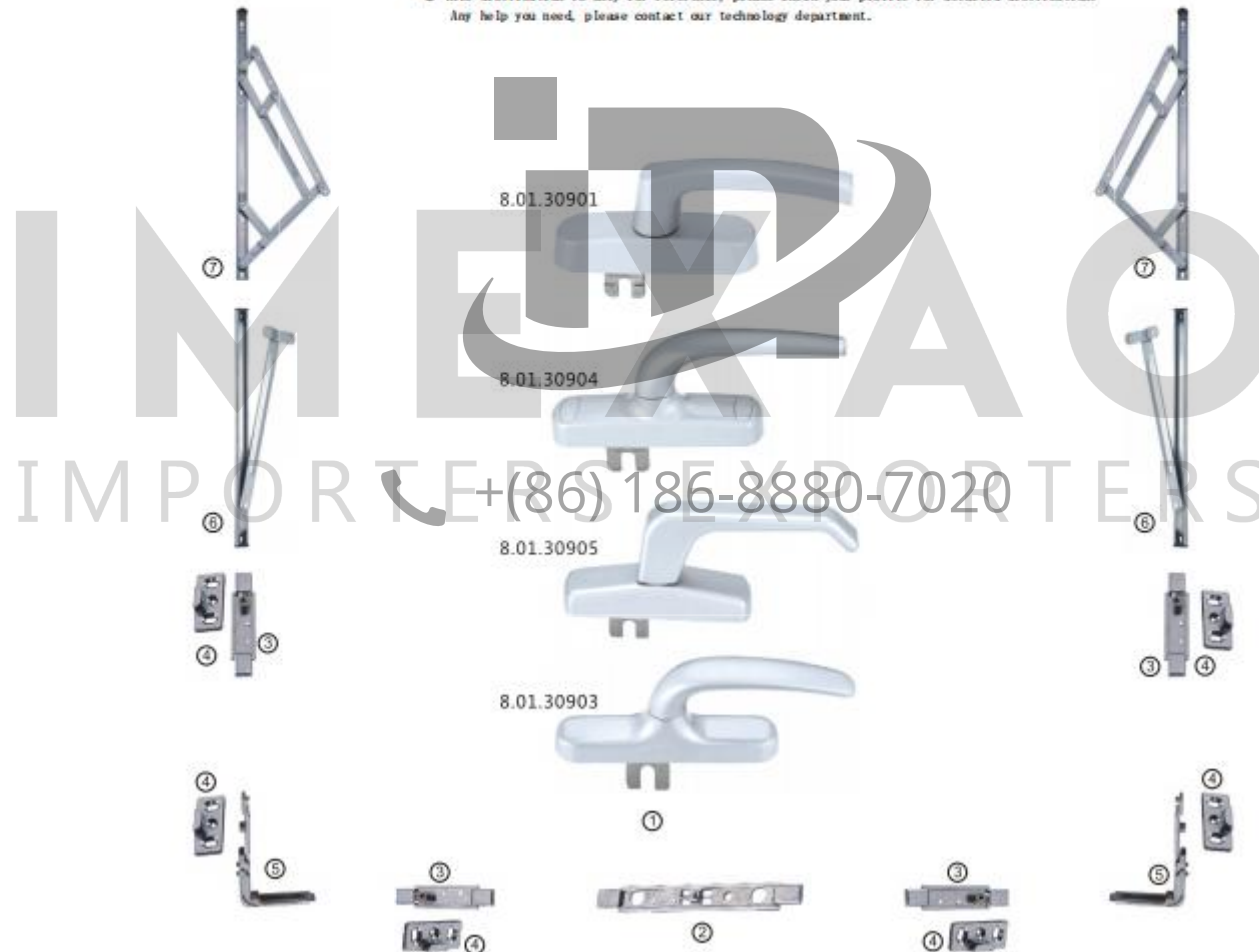


- Espagnolette bolts sizes are 400, 600, 800, 1000 and 1200mm. Other sizes or requirements could be made to order.
- For different aluminium profiles, the length of the handle sliding fork and espagnolette bolt claw are also different.
- The width of external opening window should be no more than 700mm.
- Different friction hinges have different bearings, please refer to the detailed parameters of the friction hinge series.
- This distribution is only for reference, please check your profile for detailed distribution. Any help you need, please contact our technology department.



No.	Item Name	Item No.	4 Keeps	6 Keeps	8 Keeps
1	Single multipoint lock handle	For your choice	1	1	1
2	Single connecting device	8.15.50911	1	1	1
3	Double lock rail block	8.15.50912	2	4	4
4	Lock keep	8.15.50919	4	6	8
5	Corner drive	8.15.20906	2	2	2
6	Window supporter	8.15.40822	2	2	2
7	Top hung hinge	8.04.40816	2	2	2

- Choose different top hung hinge, the bearings are different, please refer to the detailed parameters of the friction hinge series.
- This distribution is only for reference, please check your profile for detailed distribution. Any help you need, please contact our technology department.







8.03.10904



8.03.10921

No.	Item Name	Item No.	QTY	Remark
1	Internal opening handle	9.02.10301	1Set	For your choice
2	Lock body	8.07.20116	1	Center to center distance is 25mm, 35mm
2A	Lock body	8.07.20112	1	Center to center distance is 20/25/ 30/35mm
3	Cylinder	9.11.22518	1	For your choice
4	Lock keep	8.16.20920	2	
5	Single lock nail block	8.18.20911	2	
6	Lock block	8.18.20905	2	
7	Hinge	For your choice	2-3	For your choice
				For your choice



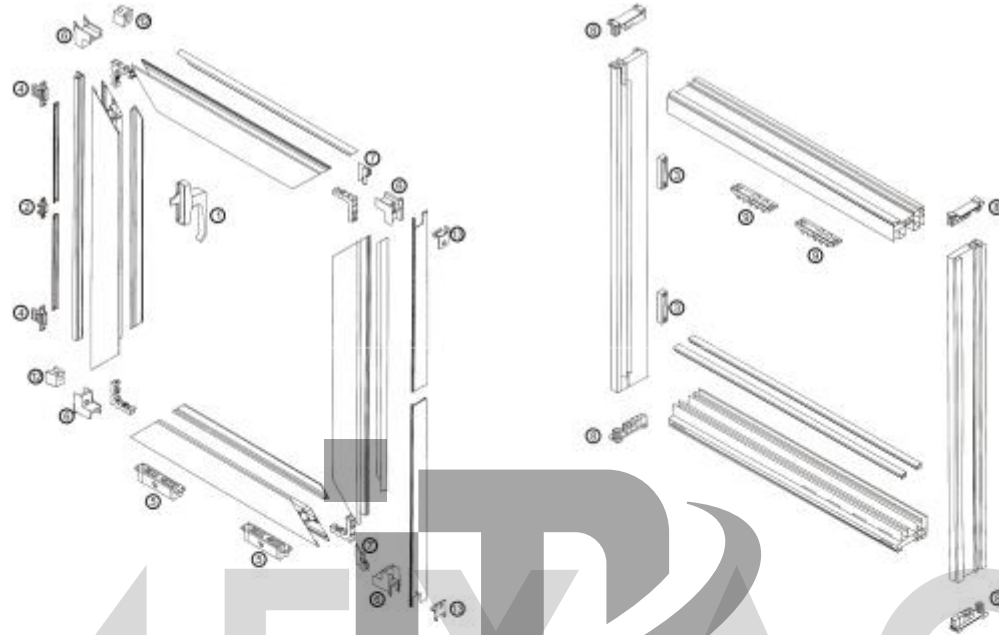
- In broken line frame, they are alternative parts for your choice.
- The Max. size of a single ash is suggested to not exceed 900mm (W) x 2300mm (H).
- We advise you to install three hinges in order to improve the resist of twist capability, air impermeability and water tightness.
- Different profiles need different hinges. Please refer to the hinge series for details. The Max. bearing is concerned with the proportion between window's height and width, and the thickness of glass. If you need, please feel free to contact our technology department.
- Choose different cylinders for different profiles.
- This distribution is only for reference, please check your profile for detailed distribution.



8.03.10904



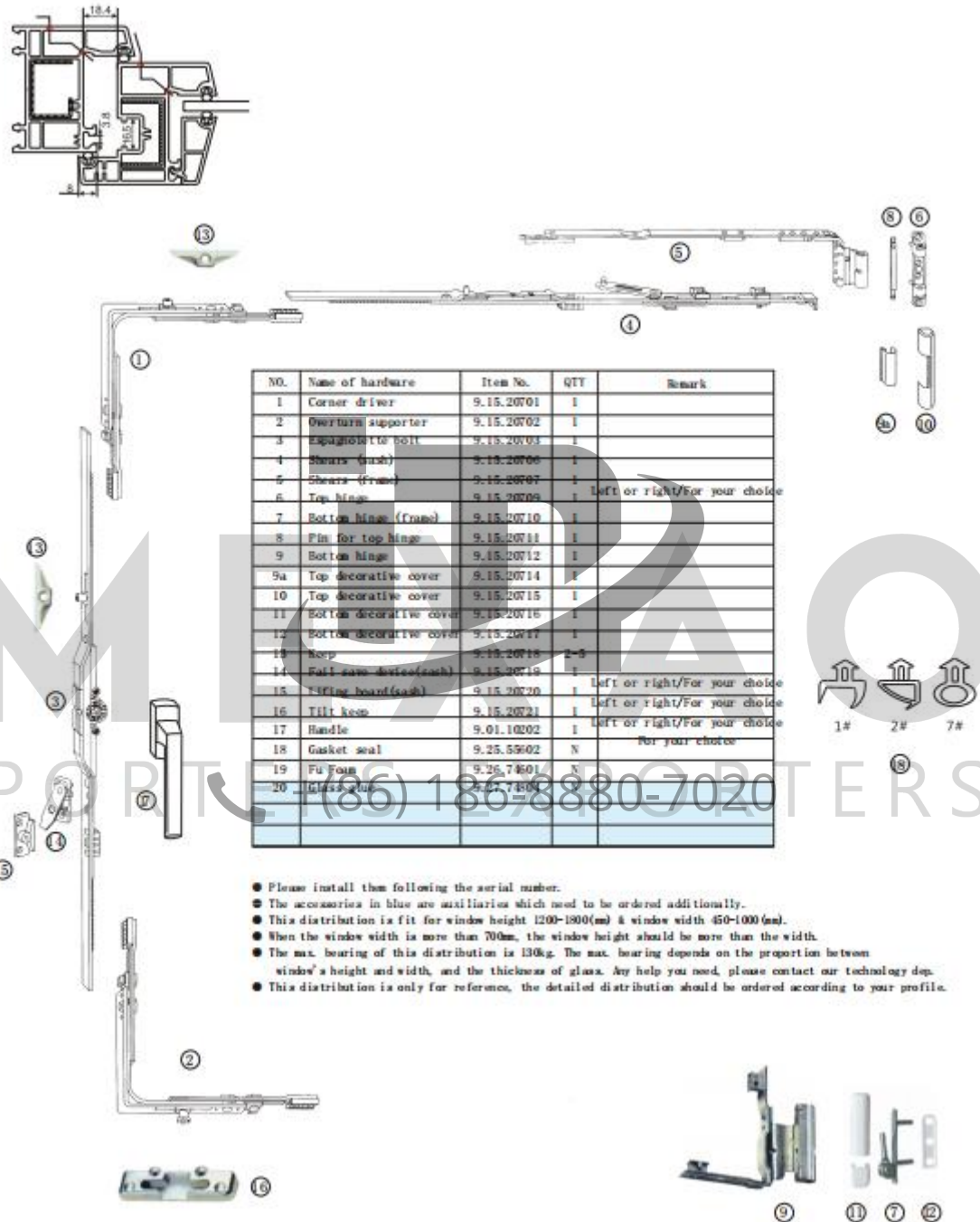
8.03.10921



NO.	Item Name	Item No.	QTY	Remark
1	Handle	8.01.30913	2	For your choice
2	Overturn supporter	8.15.20932	4	
3	Sliding twistlock	8.15.20933	4	For your choice
4	Sliding housing	8.15.20934	4	For your choice
5	Roller	8.16.20935	4	For your choice
6	Seal cover	8.15.20935	8	For your choice
7	Connect piece	8.15.20936	Each 2	Up & down
8	Seal cover	8.15.20937	Each 2	Left & right
9	Wind bridge	8.17.50825	2	
10	Draining cap	8.17.50825	2	
11	Fender	8.17.50827	2	
12	Stop block	8.17.50828	2	
13	Decorative-cover	8.17.50829	4	

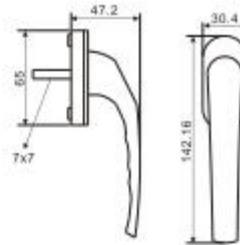


- Different parameters for different wheels. For details, please refer to the wheel series.
- This distribution is only for reference, the detailed distribution should be ordered according to your profile.



NO.	Name of hardware	Item No.	QTT	Remark
1	Corner driver	9.15.20701	1	
2	Overturn supporter	9.15.20702	1	
3	Expansion bolt	9.15.20703	1	
4	Shears (dash)	9.15.20704	1	
5	Shears (frame)	9.15.20705	1	
6	Top hinge	9.15.20706	1	Left or right/For your choice
7	Bottom hinge (frame)	9.15.20710	1	
8	Pin for top hinge	9.15.20711	1	
9	Bottom hinge	9.15.20712	1	
9a	Top decorative cover	9.15.20714	1	
10	Top decorative cover	9.15.20715	1	
11	Bottom decorative cover	9.15.20716	1	
12	Bottom decorative cover	9.15.20717	1	
13	Keep	9.15.20718	2-5	
14	Fall save device(each)	9.15.20719	1	
15	Lifting board(each)	9.15.20720	1	Left or right/For your choice
16	Tilt keep	9.15.20721	1	Left or right/For your choice
17	Handle	9.01.10202	1	Left or right/For your choice
18	Gasket seal	9.25.55602	N	For your choice
19	Fu Foam	9.25.74601	N	
20	Glass glue	9.25.74602	N	

● Please install them following the serial number.  
 ● The accessories in blue are auxiliaries which need to be ordered additionally.  
 ● This distribution is fit for window height 1200-1800(mm) & window width 450-1000(mm).  
 ● When the window width is more than 700mm, the window height should be more than the width.  
 ● The max. bearing of this distribution is 130kg. The max. bearing depends on the proportion between window's height and width, and the thickness of glass. Any help you need, please contact our technology dep.  
 ● This distribution is only for reference, the detailed distribution should be ordered according to your profile.



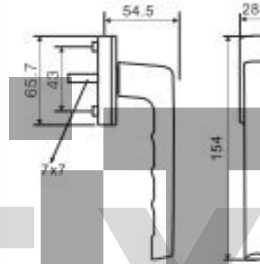
9.01.10201

For: UPVC, Al alloy and wooden internal opening  
sliding windows & doors

Main Material: Aluminum alloy

Color: White (Colors made to order)

Finishing: Electrostatic powder coating



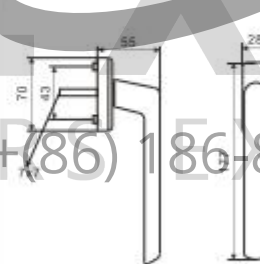
9.01.10202

For: UPVC, Al alloy and wooden internal opening,  
sliding windows & doors.

Main Material: Aluminum alloy

Color: White

Finishing: Electrostatic powder coating



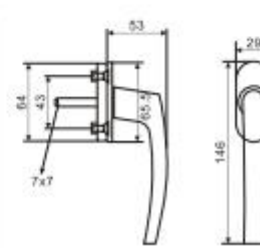
6.01.13703

For: UPVC, Al alloy and wooden internal opening,  
sliding doors

Main Material: Zinc alloy

Color: White (Colors made to order)

Finishing: Electrostatic powder coating



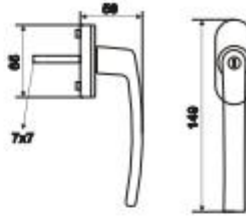
9.01.10204

For: UPVC, Al alloy and wooden internal opening,  
sliding windows & doors.

Main Material: Aluminum alloy

Color: White (Colors made to order)

Finishing: Electrostatic powder coating



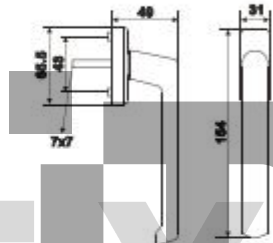
9.01.10505 \*

For: UPVC, Al alloy and wooden internal opening, sliding windows & doors.

Main Material: Aluminum alloy

Color: White (Other colors made to order)

Finishing: Electrostatic powder coating



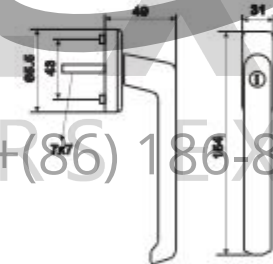
9.01.10506 \*

For: UPVC, Al alloy and wooden internal opening, sliding windows & doors.

Main Material: Aluminum alloy

Color: White (Colors made to order)

Finishing: Electrostatic powder coating



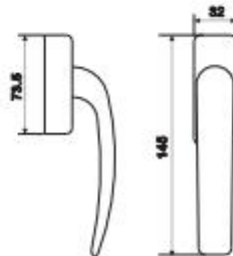
9.01.10507

For: UPVC, Al alloy and wooden internal opening, sliding windows & doors.

Main Material: Zinc alloy

Color: White (Colors made to order)

Finishing: Electrostatic powder coating



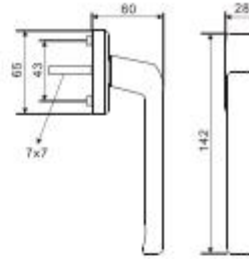
9.01.10108 \*

For: UPVC, Al alloy and wooden internal opening, sliding windows & doors.

Main Material: Aluminum alloy

Color: White (Colors made to order)

Finishing: Electrostatic powder coating



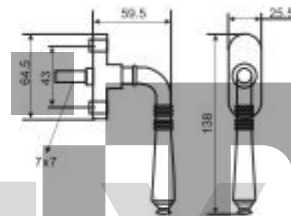
9. 01. 60510

For: UPVC, Al alloy and wooden internal opening,  
sliding windows & doors.

Main Material: Aluminum alloy

Color: White (Colors made to order)

Finishing: Electrostatic powder coating



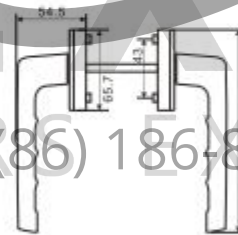
9. 01. 20517 \*

For: UPVC, Al alloy and wooden internal opening,  
sliding windows & doors.

Main Material: Zinc alloy

Color: Bronze (Colors made to order)

Finishing: Electroplating



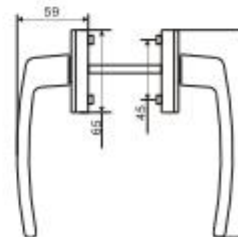
9. 01. 10221

For: UPVC, Al alloy and wooden internal opening,  
sliding doors

Main Material: Aluminum alloy

Color: White (Colors made to order)

Finishing: Electrostatic powder coating



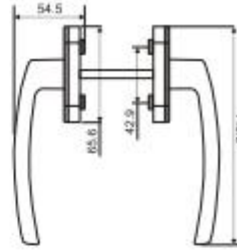
9. 01. 10522 \*

For: UPVC, Al alloy and wooden internal opening,  
sliding windows & doors.

Main Material: Aluminum alloy

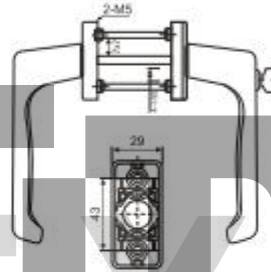
Color: White (Colors made to order)

Finishing: Electrostatic powder coating



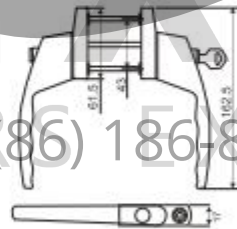
9. 01. 10523 \*

For: UPVC, Al alloy and wooden internal opening,  
sliding windows & doors.  
Main Material: Aluminum alloy  
Color: White (Colors made to order)  
Finishing: Electrostatic powder coating



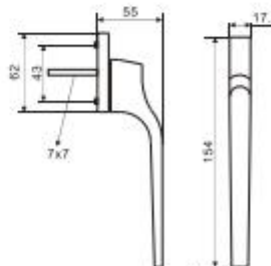
9. 01. 10524 \*

For: UPVC, Al alloy and wooden internal opening,  
sliding windows & doors.  
Main Material: Zinc alloy  
Color: White (Colors made to order)  
Finishing: Electrostatic powder coating



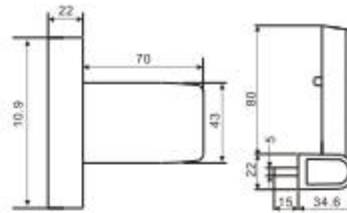
9. 01. 10528 \*

For: UPVC, Al alloy and wooden external opening  
windows & doors.  
Main Material: Zinc alloy  
Color: White (Colors made to order)  
Finishing: Electrostatic powder coating



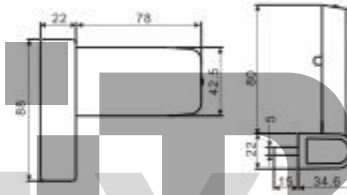
9. 01. 10229X

For: UPVC, Al alloy and wooden external opening  
windows & doors  
Main Material: Zinc alloy  
Color: White (Colors made to order)  
Finishing: Electrostatic powder coating



9.03.10601

For: UPVC doors  
Main Material: Zinc alloy  
Color: Gold, White (Colors made to order)  
Finishing: PVD, Electrostatic powder coating  
Bearing: < 80kg/2pcs



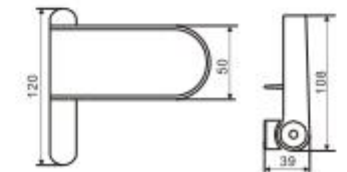
9.03.10602 \*

For: UPVC doors  
Main Material: Zinc alloy  
Color: White (Colors made to order)  
Finishing: Electrostatic powder coating  
Bearing: < 60kg/2pcs



9.03.10403

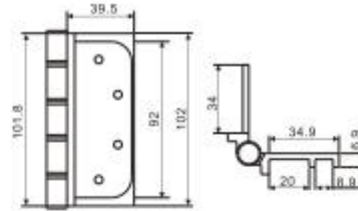
For: UPVC doors  
Main Material: Zinc alloy  
Color: White (Colors made to order)  
Finishing: Electrostatic powder coating  
Bearing: < 60kg/2pcs



9.03.10504

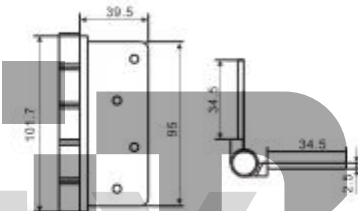
For: UPVC doors  
Main Material: Zinc alloy, Aluminum alloy  
Color: White (Colors made to order)  
Finishing: Electrostatic powder coating  
Bearing: < 80kg/2pcs





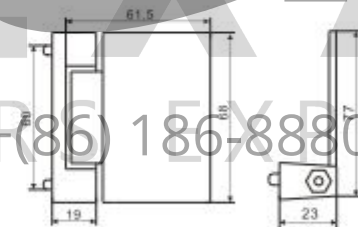
9.03.10615 \*

For: UPVC casement windows & doors  
Main Material: Aluminum alloy  
Color: White (Colors made to order)  
Finishing: Electrostatic powder coating  
Bearing: < 40kg/2pcs



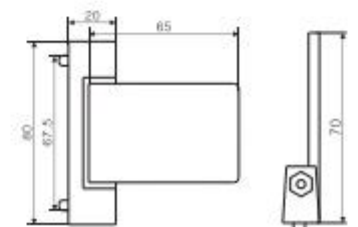
9.03.10616 \*

For: UPVC casement windows & doors  
Main Material: Aluminum alloy  
Color: White (Colors made to order)  
Finishing: Electrostatic powder coating  
Bearing: < 40kg/2pcs



9.03.10217

For: UPVC casement windows  
Main Material: Zinc alloy  
Color: White (Colors made to order)  
Finishing: Electrostatic powder coating  
Bearing: < 20kg/2pcs



9.03.10218

For: UPVC casement windows  
Main Material: Zinc alloy  
Color: White (Colors made to order)  
Finishing: Electrostatic powder coating  
Bearing: < 15kg/2pcs



9.03.20443

For: UPVC internal opening windows  
Main Material: Zinc alloy, steel  
Color: Silvery white  
Finishing: Electroplating  
Bearing: < 40kg/set



9.03.20444

For: UPVC casement windows  
Main Material: Zinc alloy, steel  
Color: Silvery white  
Finishing: Electroplating  
Bearing: < 40kg/set

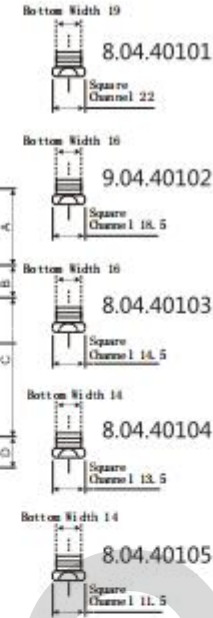
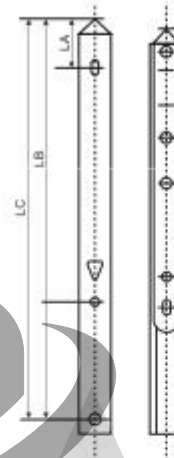


9.03.20445

For: UPVC internal opening windows  
Main Material: Zinc alloy, steel  
Color: Silvery white  
Finishing: Electroplating  
Bearing: < 40kg/set

### Friction Hinge (Four - bar)

- Adjust the opening angle by the small sliding sheet in the bottom groove to a fixed place.
- Good-quality stainless steel material.
- Regarded regular usage after strictly 50000 times open-and-close test.
- Get to the national standard of QB/T3888 Window-and-Door Sliding hinge.
- Be suitable for U-PVC, Aluminum and Wooden casement windows.
- Material — Stainless steel 301. But stainless steel 316, 304, 201, 202 are alternative.
- Thickness of the four bars 2.0<sup>±0.1</sup>mm, 2.5<sup>±0.1</sup>mm, and 3.0<sup>±0.1</sup>mm.



Product's specifications & technical parameters (Bar thickness 3.0<sup>±0.1</sup> mm) (Bottom Width 22mm)

Window Sizes				
Item Sizes	Height Max (mm)	Width Max (mm)	Casement Weight Max (kg)	Casement Angle
8"	1500	400	12.5	65°±3°
10"	1500	500	21.6	90°±3°
12"	1500	600	30	90°±3°
14"	1500	700	33	90°±3°
16"	1500	800	35	90°±3°
18"	1500	900	37	90°±3°

Product's specifications & technical parameters (Bar thickness 3.0<sup>±0.1</sup> mm) (Bottom Width 18.5mm)

The specifications of window				
Item Sizes	Height Max (mm)	Width Max (mm)	Casement Weight Max (kg)	Casement Angle
8"	1000	350	11.2	65°±3°
10"	1200	500	15.5	90°±3°
12"	1200	600	16.5	90°±3°
14"	1200	700	17.6	90°±3°
16"	1200	750	18.5	90°±3°
18"	1200	800	19.3	90°±3°

Hinges fixation sizes (mm) (Bottom Width 22mm)

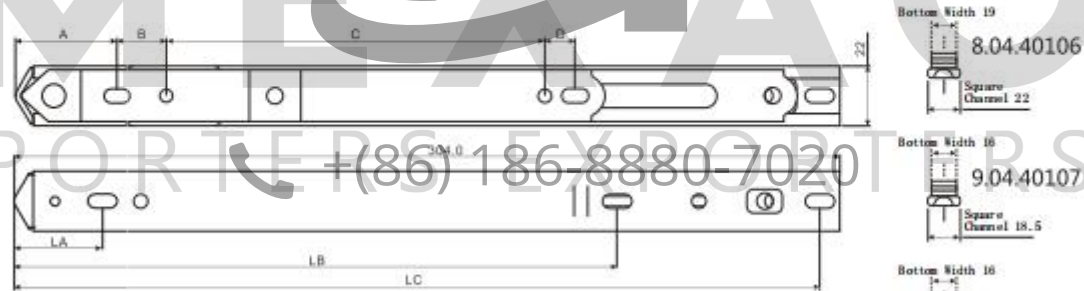
Item Sizes	Overall Length (Hinge)	A	B	C	D	LA	LB	LC
8"	209.0	37	18.5	110	11	32	154	196
10"	259.0	37	18.5	130	11	32	214	250
12"	297.0	37	18.5	141	11	32	220	294
14"	349.5	37	18.5	178	11	32	254	343
16"	406.5	37	18.5	178	11	32	250	396
18"	458.0	37	18.5	178	11	32	243	446

Hinges fixation sizes (mm) (Bottom Width 18.5mm)

Item Sizes	Overall Length (Hinge)	A	B	C	D	LA	LB	LC
8"	209.0	39	16.5	103	11	26	151	198
10"	259.0	39	16.5	132	11	26	215	255
12"	297.0	39	16.5	142	11	26	244.5	291
14"	349.5	39	16.5	179	11	26	255.1	345
16"	406.5	39	16.5	179	11	26	224	395
18"	458.0	39	16.5	179	11	26	224	447

### Friction Hinge (Five - bar)

- Adjust the opening angle by the small sliding sheet in the bottom groove to a fixed place.
- Good-quality stainless steel material.
- Regarded regular usage after strictly 50000 times open-and-close test.
- Get to the national standard of QB/T3888 Window-and-Door Sliding hinge.
- Be suitable for U-PVC, Aluminum and Wooden casement windows.
- Material -- Stainless steel 301. But stainless steel 316, 304, 201, 202 are alternative.
- Thickness of the five bars: 2.0<sup>±0.1</sup>mm, 2.5<sup>±0.1</sup>mm, and 3.0<sup>±0.1</sup>mm.

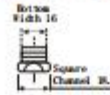


Hinge's fixation sizes (mm) (Bar thickness 3.0-0.3 mm)  
 (Bottom Width 22mm)

Item Sizes	A	B	C	D	LA	LB	LC	The specifications of window			
								Height Max (mm)	Width Max (mm)	Weight Max (kg)	Open Angle
14"	18.1	/	11	32	/	/	/	800	1000	55	35°
16"	18.1	192	11	32	251.5	397	404	1000	1200	62	25° /30°
18"	18.2	209.5	11	32	202	446.5	453	1200	1400	78	25° /30°
20"	18.3	281	11	32	227.5	491	500	1400	1500	98	15° /20°
22"	18	281	11	32	228	542	550	1500	1600	100	15° /20°



9.05.40121



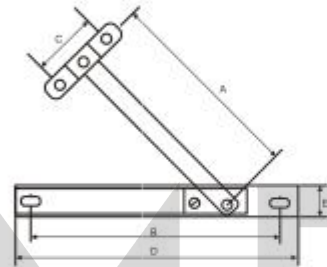
9.05.40122



9.05.40121X  
9.05.40122X



- To limit the opening angle of window.
- Good-quality stainless steel material.
- Be suitable for Curtain Wall, U-PVC / Aluminum / Wooden Casement windows, and Top Hung windows.
- Material: Stainless steel 301. But stainless steel 316, 304, 201, 202 are alternative.
- Thickness of the five bars: 2.0<sup>±</sup>mm, 2.5<sup>±</sup>mm, and 3.0<sup>±</sup>mm.



Hinges fixation sizes (mm)  
(Bottom Width 18.5mm)

Item No.	Sizes	A	B	C	D	E
9.05.40121-8	8"	145	185	45.5	200	18.5
9.05.40121-10	10"	193	236	45.5	251	18.5
9.05.40121-12	12"	235	278	45.5	293	18.5
9.05.40121-14	14"	285	327	45.5	343	18.5
9.05.40121-16	16"	345	382	45.5	398	18.5

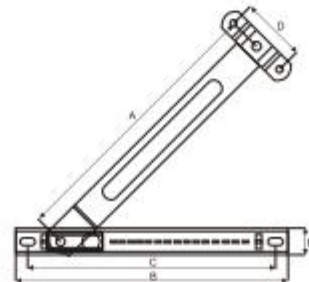
Hinges fixation sizes (mm)  
(Bottom Width 22mm)

Item No.	Sizes	A	B	C	D	E
9.05.40122-8	8"	145	185	45.5	201	22
9.05.40122-10	10"	205	239	45.5	255	22
9.05.40122-12	12"	265	287	45.5	303	22
9.05.40122-14	14"	285	327	45.5	343	22
9.05.40122-16	16"	345	382	45.5	398	22
9.05.40122-18	18"	395	431	45.5	447	22
9.05.40122-20	20"	425	487	45.5	503	22



8.05.40123

- Limit the window's opening angle to avoid any damages when suddenly closed by strong wind.
- Can be fixed into the internal-opening windows with "European channels".
- Good-quality stainless steel material.
- Be suitable for Curtain Wall, U-PVC / Aluminum / Wooden Internal & External & Top Hung windows.
- Material: Stainless steel 301. But stainless steel 316, 304, 201, 202 are alternative.
- Thickness of the five bars: 2.0<sup>±</sup>mm, 2.5<sup>±</sup>mm, and 3.0<sup>±</sup>mm.



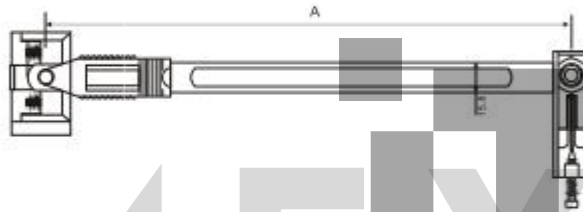
Hinges fixation sizes (mm)  
(Bottom Width 14mm)

Item No.	Sizes	A	B	C	D	E
8.05.40123-6	6"	/	/	/	/	/
8.05.40123-8	8"	175	200	189	45	14.5
8.05.40123-10	10"	195	250	235	45	14.5
8.05.40123-12	12"	215	300	281	45	14.5
8.05.40123-14	14"	/	/	/	/	/



### 8.05.40124

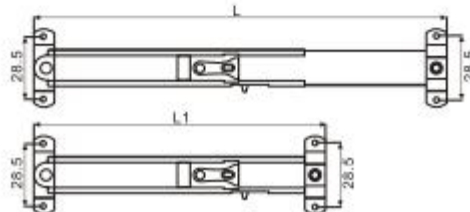
- To limit the opening angle of windows.
- Can be used in Tilt & Turn windows, casement windows to avoid damage from strong wind.
- Be suitable for Curtain Walls, U-PVC / Aluminum / Wooden Casement windows, and Top Hung windows.
- Material: Stainless steel 304. But stainless steel 316, 304, 201, 202 are alternative.



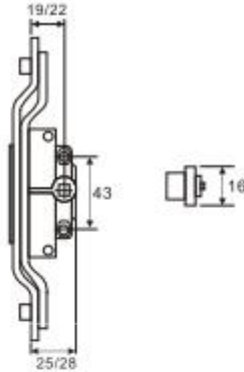
Item No.	Sizes	A	Window Width (mm)
8.05.40124-6	6"	131	≥290
8.05.40124-8	8"	180	≥320
8.05.40124-10	10"	230	≥360
8.05.40124-12	12"	280	≥410
8.05.40124-14	14"	330	≥430

### 8.05.40126\*

- To limit the opening angle of window.
- This product can keep the window in a certain position for air circulating, window's maintaining and sudden-close-proof.
- Get to the national standard of GB/T3887-1999 Aluminum window supporter.
- Be suitable for Curtain Wall, U-PVC, Aluminum or Wooden Casement windows and Top Hung windows.
- Material: Stainless steel 304. But stainless steel 316, 304, 201, 202 are alternative.



Item No.	Sizes	Shrinking length(L1)	Extending length(L2)
8.05.40126-6	6"	152	201
8.05.40126-8	8"	203	303
8.05.40126-10	10"	254	405
8.05.40126-12	12"	304	505
8.05.40126-14	14"	355	607



9.06.20202

External Opening Espagnolette Bolt

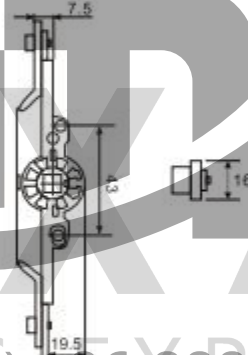
For: UPVC and wooden external opening windows

Main Material: Zinc alloy, steel

Color: Silver white, yellow (Made to order)

Finishing: Electroplating

Sizes: 400/600/800/1000/1200/1400/1600(mm)



9.06.20214

Internal Opening Espagnolette Bolt

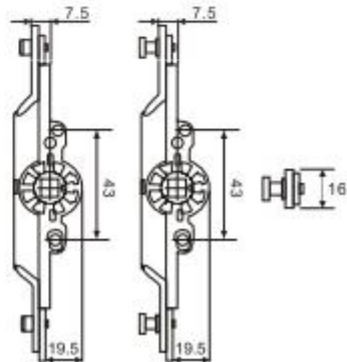
For: UPVC and wooden internal opening windows

Main Material: Zinc alloy, steel

Color: Silver white, yellow (Made to order)

Finishing: Electroplating

Sizes: 400/600/800/1000/1200/1400/1600 (mm)



9.06.20215

Sliding Espagnolette Bolt

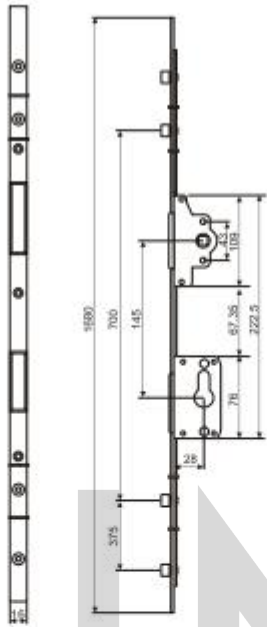
For: UPVC and wooden sliding windows & doors

Main Material: Zinc alloy, steel

Color: Silver white, yellow (Made to order)

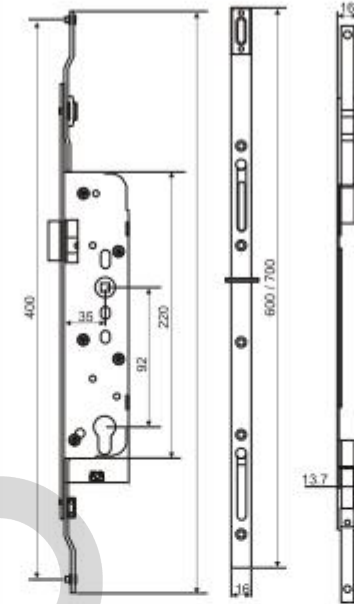
Finishing: Electroplating

Sizes: 400/600/800/1000/1200/1400/1600 (mm)



9.14.20201

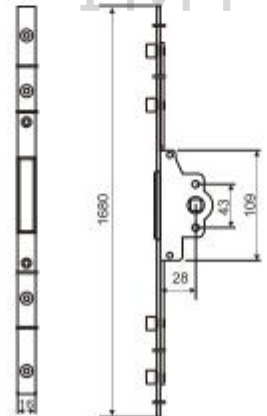
For: UPVC and wooden internal & external opening doors  
 Accessories: Pair Handles, screws, cylinder and its cover  
 Main Material: Zinc alloy, steel  
 Color: Silver white, yellow (Made to order)  
 Finishing: Electroplating  
 Size: 1680 (mm)



9.14.20406

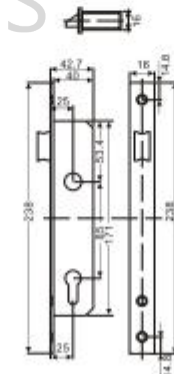
For: UPVC and wooden sliding windows & doors  
 Accessories: Handle, screws, lock  
 Main Material: Zinc alloy, steel  
 Color: Silver white, yellow (Made to order)  
 Finishing: Electroplating  
 Size: 885 (mm)

IMEXAO IMPORTERS EXPORTERS (86) 186-8880-7020

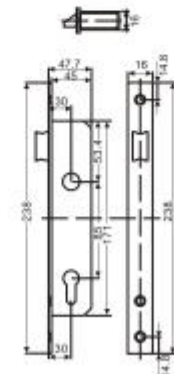


9.14.20202

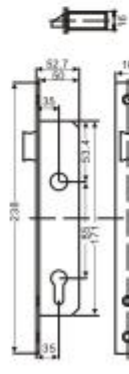
For: UPVC and wooden external opening doors  
 Accessories: Pair Handles, screws, cylinder and its cover  
 Main Material: Zinc alloy, steel  
 Color: Silver white, yellow (Made to order)  
 Finishing: Electroplating  
 Size: 1680 (mm)



9.07.20309  
8525 UPVC

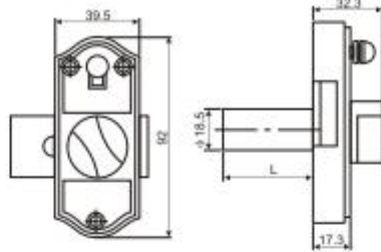


9.07.20310  
8530 UPVC



9.07.20315  
8535 UPVC





9. 14. 14122

For: UPVC and wooden sliding windows & doors  
Main Material: Zinc alloy  
Color: White  
Finishing: Electrostatic powder coating



9. 14. 12030



9. 14. 42031



9. 14. 14225 \*

For: UPVC sliding doors  
Main Material: Zinc alloy, steel  
Color: White  
Finishing: Electrostatic powder coating



9. 14. 14128

For: UPVC sliding doors  
Main Material: Zinc alloy, Steel  
Color: White  
Finishing: Electrostatic powder coating



9. 14. 22518L  
 9. 14. 22518T  
 Key + key

Basic length: 40.5/40.5 (mm)

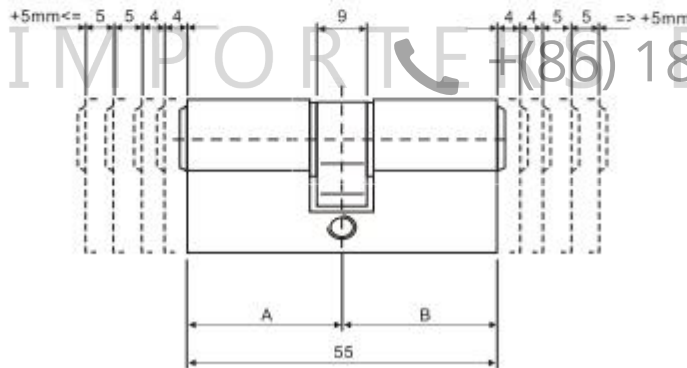


9. 14. 22519L  
 9. 14. 22519T  
 Key + knob

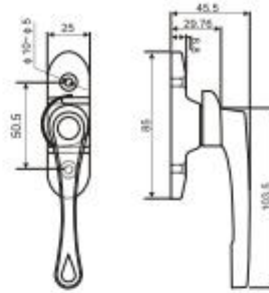
Basic length: 40.5/40.5 (mm)



Here are the sizes of cylinders, the main material of the cylinder is copper or aluminum alloy, each one has three keys. (Unit: mm)

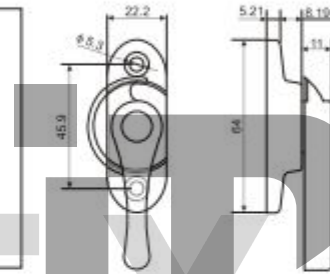


9.14.22518	9.14.22519	9.14.22520	9.14.22521
27.5/27.5	27.5/27.5	27.5/27.5	27.5/27.5
31.5/31.5	31.5/31.5	31.5/31.5	31.5/31.5
31.5/33.5	31.5/33.5	31.5/33.5	31.5/33.5
31.5/40.5	31.5/40.5	31.5/40.5	31.5/40.5
35.5/35.5	35.5/35.5	35.5/35.5	35.5/35.5
35.5/40.5	35.5/40.5	35.5/40.5	35.5/40.5
35.5/45.5	35.5/45.5	35.5/45.5	35.5/45.5
40.5/40.5	40.5/40.5	40.5/40.5	40.5/40.5
40.5/45.5	40.5/45.5	40.5/45.5	40.5/45.5
45.5/45.5	45.5/45.5	45.5/45.5	45.5/45.5



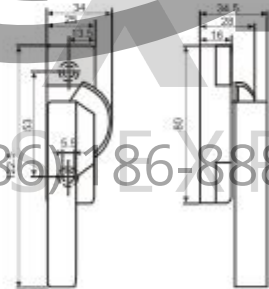
9.09.30901

For: UPVC, Al alloy and wooden sliding windows & doors  
Main Material: Zinc alloy  
Color: Silvery gray (Colors made to order)  
Finishing: Metallic painting



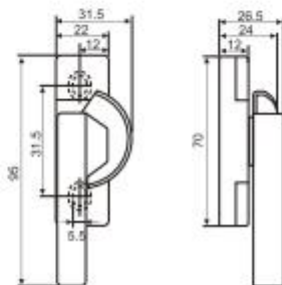
9.09.30902

For: UPVC, Al alloy and wooden sliding windows & doors  
Main Material: Zinc alloy  
Color: Silvery gray (Colors made to order)  
Finishing: Metallic painting



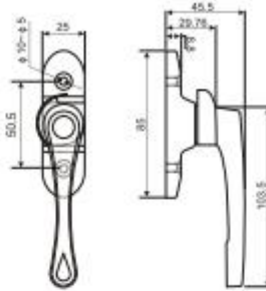
9.09.30303

For: UPVC, Al alloy and wooden sliding windows & doors  
Main Material: Zinc alloy  
Color: Silvery gray (Colors made to order)  
Finishing: Electrostatic powder coating



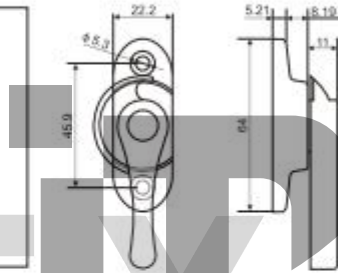
9.09.30304

For: UPVC, Al alloy and wooden sliding windows & doors  
Main Material: Zinc alloy  
Color: Silvery gray (Colors made to order)  
Finishing: Electrostatic powder coating



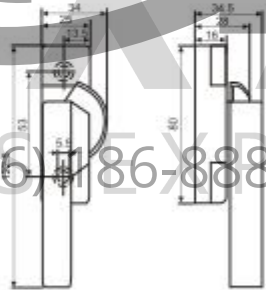
9.09.30901

For: UPVC, Al alloy and wooden sliding windows & doors  
Main Material: Zinc alloy  
Color: Silvery gray (Colors made to order)  
Finishing: Metallic painting



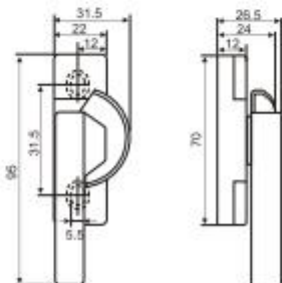
9.09.30902

For: UPVC, Al alloy and wooden sliding windows & doors  
Main Material: Zinc alloy  
Color: Silvery gray (Colors made to order)  
Finishing: Metallic painting



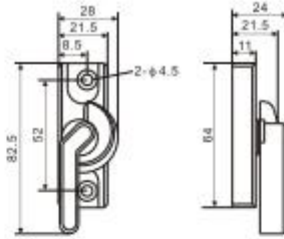
9.09.30303

For: UPVC, Al alloy and wooden sliding windows & doors  
Main Material: Zinc alloy  
Color: Silvery gray (Colors made to order)  
Finishing: Electrostatic powder coating



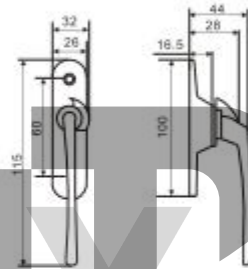
9.09.30304

For: UPVC, Al alloy and wooden sliding windows & doors  
Main Material: Zinc alloy  
Color: Silvery gray (Colors made to order)  
Finishing: Electrostatic powder coating



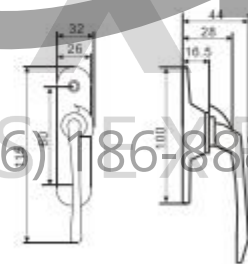
**9.09.10205X**

For: UPVC, Al alloy and wooden sliding windows & doors  
Main Material: Zinc alloy  
Color: White (Colors made to order)  
Finishing: Electrostatic powder coating



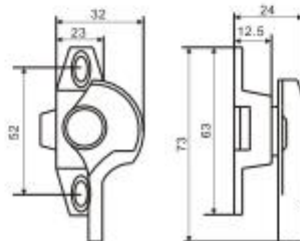
**9.09.10307**

For: UPVC, Al alloy and wooden sliding windows & doors  
Main Material: Zinc alloy  
Color: White (Colors made to order)  
Finishing: Electrostatic powder coating



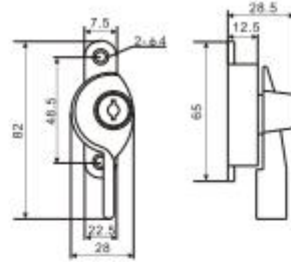
**9.09.10308**

For: UPVC, Al alloy and wooden sliding windows & doors  
Main Material: Zinc alloy  
Color: White (Colors made to order)  
Finishing: Electrostatic powder coating



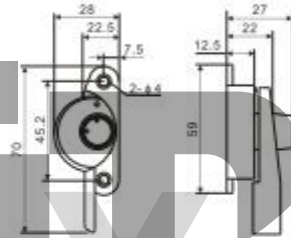
**9.09.10311L**

For: UPVC, Al alloy and wooden sliding windows & doors  
Main Material: Aluminum alloy  
Color: White (Colors made to order)  
Finishing: Electrostatic powder coating



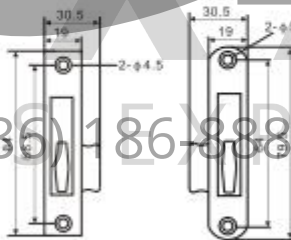
9.09.30813

For: UPVC, Al alloy and wooden sliding windows & doors  
Main Material: Aluminum alloy  
Color: Silvery gray (Colors made to order)  
Finishing: Metallic painting



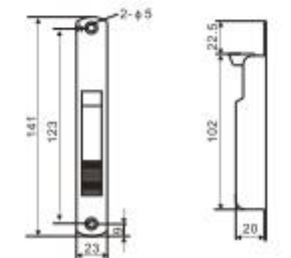
9.09.30814

For: UPVC, Al alloy and wooden sliding windows & doors  
Main Material: Zinc alloy  
Color: Silvery gray (Colors made to order)  
Finishing: Metallic painting



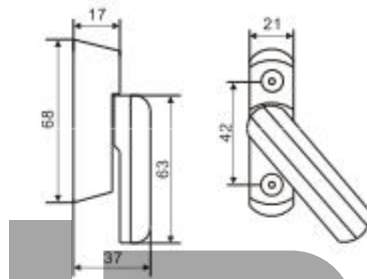
9.09.10332B

For: UPVC, Al alloy and wooden sliding windows & doors  
Main Material: Zinc alloy  
Color: White (Colors made to order)  
Finishing: Electrostatic powder coating



9.09.10533 \*

For: UPVC, Al alloy and wooden sliding windows & doors  
Main Material: Aluminum alloy  
Color: White (Colors made to order)  
Finishing: Electrostatic powder coating



9.09.10543

For: UPVC, Al alloy and wooden  
lifting sliding windows  
Main Material: Zinc alloy  
Color: White (Colors made to order)  
Surface Treatment: Electrostatic powder  
coating



9.09.10311

For: UPVC, Al alloy and wooden  
lifting sliding windows  
Main Material: Zinc alloy  
Color: White (Colors made to order)  
Surface Treatment: Electrostatic powder  
coating



## WI-FI SOCKET B25EU

- Remote control your home appliances via phone APP
- Check the appliances status anytime and save energy
- Works with Alexa & Google Home for voice control
- Set timer to turn on/off smart socket
- CE, RoHS certified

Input voltage	AC100V-230V, 50Hz, 10A
Output voltage	AC100V-230V, 50Hz, 10A
Wireless standard	Wi-Fi 2.4GHz , IEEE 802.11 b/g/n
Working temp.	-10~50°C , 14~122°F
Working hum.	20%-90%
Body Size	103*63*31mm(without pins)
Color	White
Shell's material	Fireproof PC





## WI-FI SOCKET B25UK

- Remote control your home appliances via phone APP
- Check the appliances status anytime and save energy
- Works with Alexa & Google Home for voice control
- Set timer to turn on/off smart socket
- CE, RoHS certified

Input voltage	100V-240V~, 50Hz, 13A
Output voltage	100V-240V~, 50Hz, 13A
Wireless standard	Wi-Fi 2.4GHz , IEEE 802.11 b/g/n
Working temp.	-10~50°C , 14~122°F
Working hum.	20%-90%
Body Size	103*63*37mm(without pins)
Color	White
Shell's material	Fireproof PC



**HW-10 2**



## WI-FI SOCKET S25

- Remote control your home appliances via phone APP
- Check the appliances status anytime and save energy
- Works with Alexa & Google Home for voice control
- Set timer to turn on/off smart socket
- FCC certified

Input voltage	AC120V, 60Hz, 10A
	AC220V, 50/60Hz, 10A
Output voltage	AC120V, 60Hz, 10A
	AC220V, 50/60Hz, 10A
Wireless standard	Wi-Fi 2.4GHz , IEEE 802.11 b/g/n
Working temp.	-10 ~ 50°C , 14 ~ 122°F
Working hum.	20%-90%
Body Size	103*63*37mm(without pins)
Color	White
Shell's material	Fireproof PC





## WI-FI SOCKET B25AUS

- Remote control your home appliances via phone APP
- Check the appliances status anytime and save energy
- Works with Alexa & Google Home for voice control
- Set timer to turn on/off smart socket

Input voltage	AC100V-240V, 50Hz, 8A
Output voltage	AC100V-240V, 50Hz, 8A
Wireless standard	Wi-Fi 2.4GHz , IEEE 802.11 b/g/n
Working temp.	-10 ~ 50°C , 14 ~ 122°F
Working hum.	20%-90%
Body Size	103*63*37mm(without pins)
Color	White
Shell's material	Fireproof PC



## WI-FI SOCKET S31



- Remote control your home appliances via phone APP
- Check the appliances status anytime and save energy
- Works with Alexa & Google Home for voice control
- Set timer to turn on/off smart socket
- Energy monitoring function
- ETL , FCC, IC certified

Input voltage	AC120V, 15A, 60Hz
	AC240V, 10A, 50Hz
Output voltage	AC120V, 15A, 60Hz
	AC240V, 10A, 50Hz
Radio Standard	IEEE 802.11 b/g/n
Working temp.	-10~50°C , 14~122°F
Working hum.	20%-90%
Body Size	53*53*54mm
Color	Gray/Blue/Red/Yellow
Shell's material	Fireproof PC



+ (86) 186-8880-7020

## WI-FI IR REMOTE MAGIC CUBE



- Remote control most of IR home appliances( TV/ AC/ STB/ fan/ projector etc.) via phone APP
- Works with Alexa & Google Home for voice control
- Set timer to turn on/off the IR home appliances
- Code learning function
- CE certified

Input Power	DC5V, 1A, micro USB
Wireless Standard	Wi-Fi 2.4GHz , IEEE 802.11 b/g/n
Infrared Frequency	20-60KHz
Working temp.	-10 ~ 50°C , 14 ~ 122°F
Working hum.	20%-90%
Body Size	53*53*54mm
Color	Black and silver
Material of Housing	PC/ABS/TPU



## WI-FI IR REMOTE & RF HUB ALLONE PRO

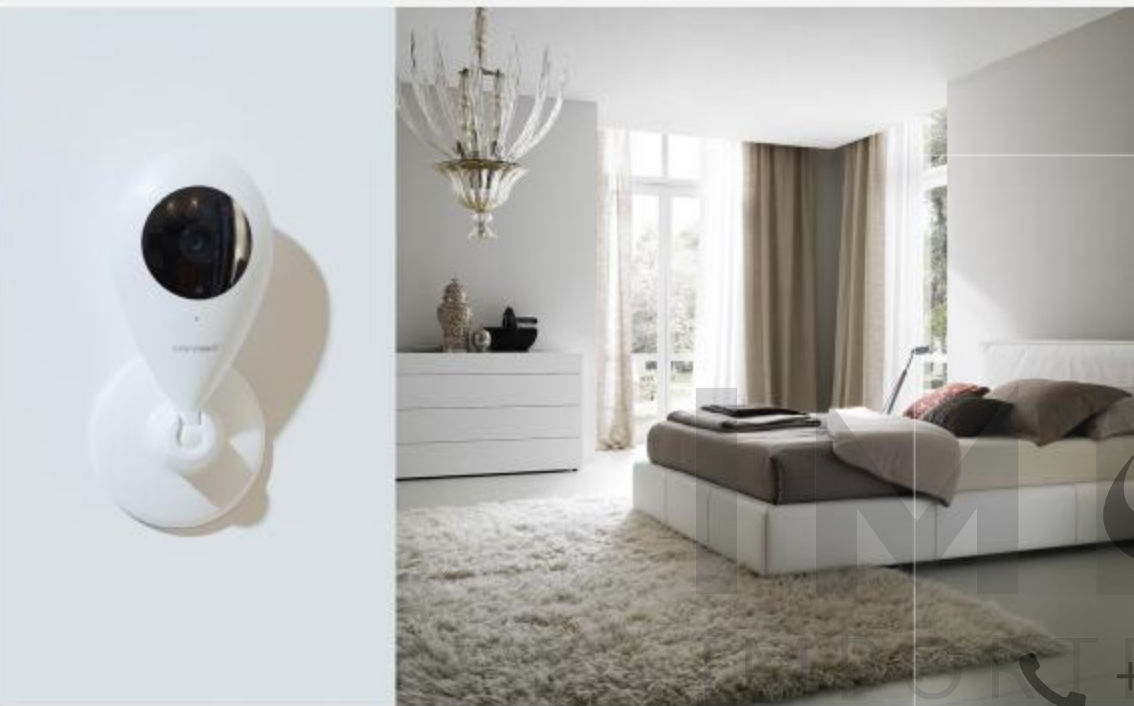


- Remote control most of IR home appliances( TV/ AC/ STB/ fan/ projector etc.) via phone APP
- Works with Alexa & Google Home for voice control
- Set timer to turn on/off the IR home appliances
- Code learning function
- Works as an RF433 hub
- CE certified

Input Power	DC5V, 1A, micro USB
Wireless Standard	Wi-Fi 2.4GHz , IEEE 802.11 b/g/n
Infrared Frequency	20-60KHz
RF	433MHz
Working temp.	-10~50°C , 14~122°F
Working hum.	20%-90%
Body Size	Φ110*31mm
Color	Black
Material of Housing	PC/ABS/Silica Gel



## SMART IP CAMERA SC10



- Remote monitoring via phone APP
- Feedback and record video when any motion is detected
- Motion detection supported
- Two-way audio supported
- Night vision supported
- CE, FCC, ROHS certified

Power Supply	DC5V, 1A, micro USB
Wireless standard	Wi-Fi 2.4GHz , IEEE 802.11 b/g/n
Body Size	68*68*125mm
Color	White
Working temp.	-20 ~ 50°C
Material of Housing	PC
Lens	110 degrees angles view
Night vision	IR-CUT Filter auto switch
Storage	Micro SD support Local Storage up to 64GB
Video Recording	720P @ 30fps (Adjustable)

+ (86) 186-8880-7020

## SMART IP CAMERA SC30



- Remote monitoring via phone APP
- Feedback and record video when any motion is detected
- Motion detection supported
- Two-way audio supported
- Night vision supported
- 1080P HD camera

Power Supply	DC5V, 2A, micro USB
Wireless standard	Wi-Fi 2.4GHz , IEEE 802.11 b/g/n
Lens	153 degrees angles view (FOV)
Body Size	108*102*139mm
Color	White
Working temp.	-10~50°C
Material of Housing	PC
Lens	Pan 350° , Tilt 100°
Night vision	Supported, Switch by IR-Cut
Storage	Micro SD support Local Storage up to 64GB
Video Recording	1080P@15fps



## SMART ALARM HUB VS30ZW

- Easy configuration with Wi-Fi connection
- Support to connect 100 Zigbee devices
- LED indicator to show the real-time status
- Support local buzzing alarm
- Keep working with LAN when out of wifi network

Power Supply	DC5V, 2A, micro USB
Body Size	72*72*30mm
Color	White
Working temp.	0~40°C , 32~104°F
Working hum.	≤80% RH
Supports Devices	100
Communication Frequency	2.4GHz , IEEE802.15.4
Radio Protocol	Zigbee HA , Wi-Fi ( 2.4GHz )



## ZIGBEE MINI HUB VS20ZW

- Adopt stable and reliable Zigbee protocol
- Support to connect 100 Zigbee devices
- Automatic devices searching and networking
- Support two-way feedback in real time
- Control center of the smart home system
- CE, FCC, ROHS certified

Power Supply	DC5V, 1A, micro USB
Body Size	88*90*27mm
Color	White + Grey
Working temp.	0 ~ 40°C , 32 ~ 104°F
Working hum.	10%-90% RH
Supports Devices	100
Housing Material	PC + ABS
Communication Protocol	Zigbee HA

## ZIGBEE MINI HUB VS10ZW

- Adopt stable and reliable Zigbee protocol
- Support to connect 50 Zigbee devices
- Automatic devices searching and networking
- Support two-way feedback in real time
- Control center of the smart home system
- CE, FCC, ROHS certified

Power Supply	DC5V, 1A, micro USB
Body Size	88*90*27mm
Color	White + Grey
Working temp.	0 ~ 40°C , 32 ~ 104°F
Working hum.	10%-90% RH
Supports Devices	50
Housing Material	PC + ABS
Communication Protocol	Zigbee HA

## ZIGBEE HUB viCenter-300



- Adopt stable and reliable Zigbee protocol
- Support to connect 50 Zigbee devices
- Automatic devices searching and networking
- Support two-way feedback in real time
- Control center of the smart home system
- CE certified

Power Supply	DC5V, 2A, micro USB
Body Size	88*90*27mm
Color	Black
Working temp.	0 ~ 40°C , 32 ~ 104°F
Working hum.	10%-80% RH
Supports Devices	150
Housing Material	Fireproof PC + Reinforced glass
Communication Protocol	Zigbee HA 2.4G

## SMART SWITCH Touch Classic Series

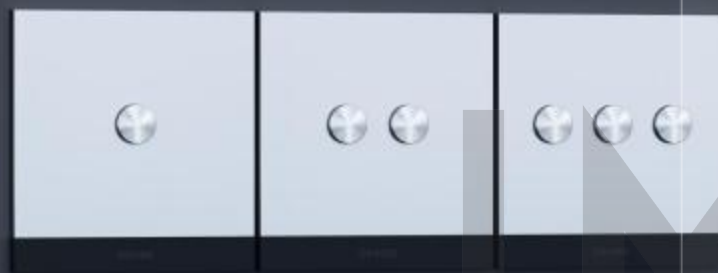
- Adopt stable and reliable Zigbee protocol
- Remote control the lighting via phone app
- Work with Alexa & Google Home for voice control
- Support various customized scene settings
- RelayPro-Tech™ Technology to lengthen the service life

Power Supply	AC250V, 50/60Hz
Body Size	90*86*38mm
Color	Gold/ Grey
Working temp.	-20~60°C , -4~140°F
Working hum.	≤80% RH
Max. Load	1 gang: 600W; 2 gang: 600W/gang; 3 gang: 200W/gang
Communication Protocol	Zigbee HA
Working Frequency	2.4G



## SMART SWITCH GeekRav Series

- Adopt stable and reliable Zigbee protocol
- Remote control the lighting via phone app
- Work with Alexa & Google Home for voice control
- Support various customized scene settings
- RelayPro-Tech™ Technology to lengthen the service life



Power Supply	AC250V, 50/60Hz
Body Size	90*86*38mm
Color	Gold/ Grey
Working temp.	-20 ~ 60°C , -4 ~ 140°F
Working hum.	≤80% RH
Max. Load	1 gang: 600W; 2 gang: 600W/gang; 3 gang: 200W/gang
Communication Protocol	Zigbee HA
Working Frequency	2.4G

+ (86) 186-8880-7020



## SMART SWITCH Aurora Series

- Adopt stable and reliable Zigbee protocol
- Remote control the lighting via phone app
- Work with Alexa & Google Home for voice control
- Support various customized scene settings
- C-Touch™ capacitive touch sensing technology

Power Supply	AC250V, 50/60Hz
Body Size	90*86*38mm
Color	White + Grey
Working temp.	-20~60°C , -4~140°F
Working hum.	20%-90% RH
Max. Load	1 gang: 600W; 2 gang: 600W/gang ; 3 gang: 200W/gang; Dimmer: 150W
Housing Material	Aluminum plate+ Reinforced glass + Fireproof PC
Communication Protocol	Zigbee HA 2.4G



## SMART SWITCH Platinum Series

- Adopt stable and reliable Zigbee protocol
- Remote control the lighting via phone app
- Work with Alexa & Google Home for voice control
- Support various customized scene settings

Power Supply	AC240V, 50/60Hz
Body Size	90*86*35mm
Color	White + Silver
Working temp.	-20 ~ 60°C , -4 ~ 140°F
Working hum.	20%-90% RH
Max. Load	300W
Housing Material	Switch: High Density Scratch-resistant Touch Board Base: Fireproof PC
Communication Protocol	Zigbee HA 2.4G



+ (86) 186-8880-7020



## SMART SWITCH US-Type Series

- Adopt stable and reliable Zigbee protocol
- Remote control the lighting via phone app
- Work with Alexa & Google Home for voice control
- Support various customized scene settings



Common SPEC	Color	White
	Working temp.	-4 ~ 104°F
	Working hum.	≤80% RH
	Communication Protocol	Zigbee HA 2.4G
On/Off Switch	Body Size	104*44*46mm
	Input Power	AC120V, 60Hz
	Max. Load	1800W(resistive)/1000W(incandescent)/0.5HP(motor)/1200VA(ballast)
Dimmer	Body Size	104*55*46mm
	Input Power	AC120V, 60Hz
	Max. Load	500W(resistive)/500VA(capacitive and motor)
Scene Switch	Body Size	104*44*46mm
	Input Power	AC120/270V, 50/60Hz
Outlet	Body Size	104*44*46mm
	Input Power	AC120V, 60Hz
	Max. Load	1800W(resistive)/1000W(incandescent)/0.5HP(motor)/1200VA(ballast)

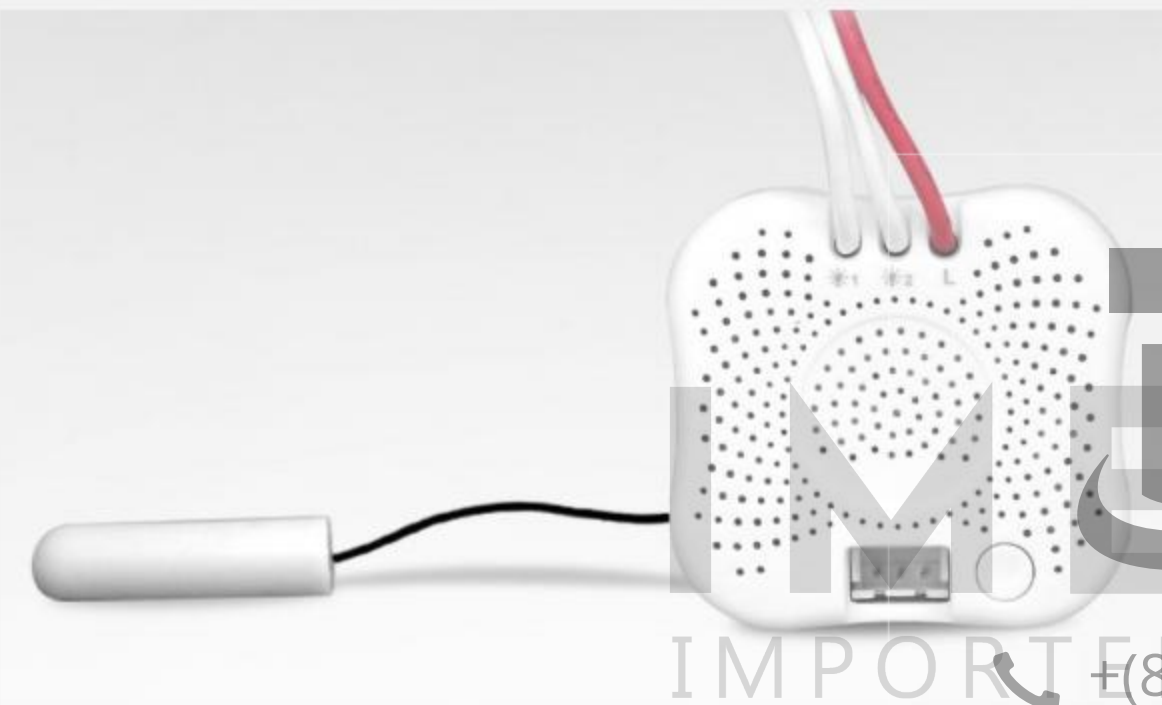
## RGB RELAY



- Adopt stable and reliable Zigbee protocol
- Control RGB strip lights and RGB panel light
- Change the color and brightness of RGB lights via phone APP
- Support 16 millions of colors, support color temperature control from 2700K to 6500K
- Support various customized scene settings

Input Power	DC12V/DC24V
Body Size	70*70*23mm
Color	White
Max. Load	20A
Communication Protocol	ZigBee HA
Working Frequency	2.4G
Working temp.	-20 ~ 60°C
Working hum.	20%-90%
Housing Material	ABS

## IN-WALL SWITCH 2 gang L-type



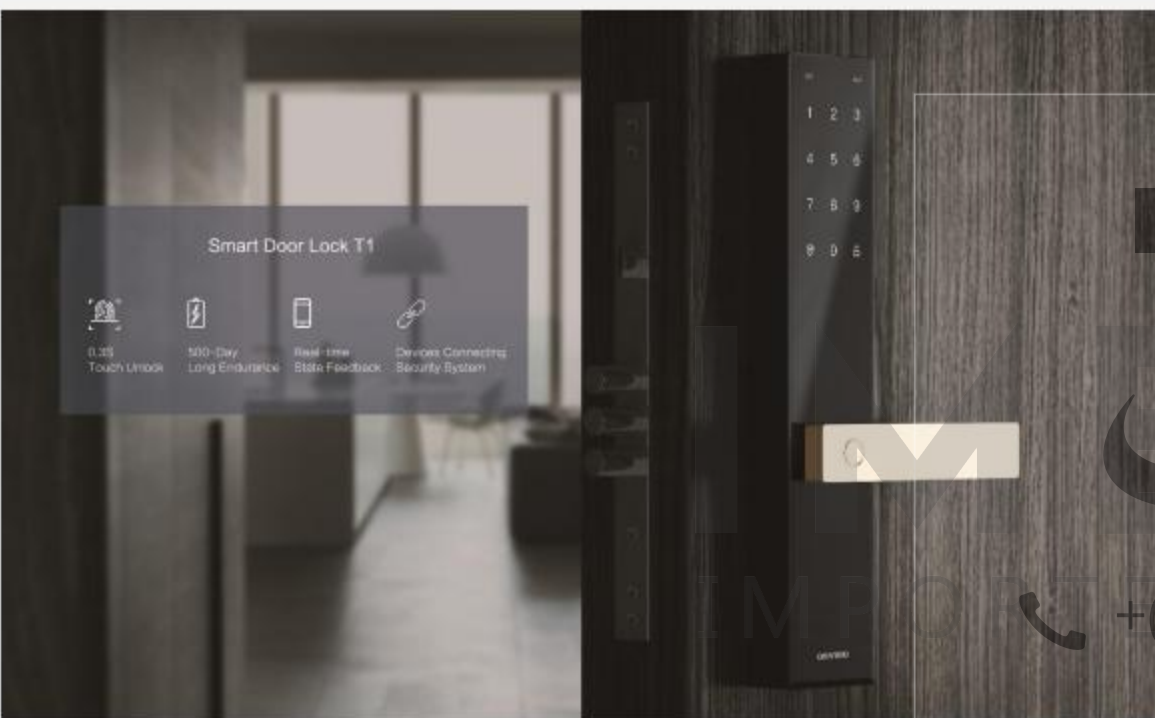
- Adopt stable and reliable Zigbee protocol
- Transform the traditional switches to be smart
- Remote control the lighting via phone app
- Work with Alexa & Google Home for voice control
- Support various customized scene settings

Power Supply	AC 230V 50Hz
Body Size	48*46*18mm
Color	White + Silver
Working temp.	-20~40°C
Working hum.	5-95%RH
Max. Load	Incandescent/Halogen lamp: 20-200W
	LED: 12-120W
	Fluorescent lamp: 14-120W
Communication Protocol	Zigbee HA
Working Frequency	2.4G



**HW-10 20**

## SMART DOOR LOCK T1



- Remote monitor and check the door status
- 0.3s fingerprint unlock, touch and go
- Link with more lighting, security and control devices
- 500-day long battery duration
- Support emergency fingerprint and password
- Support temporary authorized password

Power Supply	DC 7.5V (AA battery)
Body Size	336mm*66mm*70mm
Color	Black + Gold
Working temp.	-10~50°C
Working hum.	10%-90% RH
Communication Protocol	ZigBee + Bluetooth
Housing Material	5# zinc alloy + ABS + tempered glass
Emergency power supply	DC 5V, Type C
Supported door thickness	40~120mm (Standard:50~90mm)

**HW-10 21**

## DOOR/WINDOW SENSOR



- Adopt stable and reliable Zigbee protocol
- Get alerted if the door or window is opened
- Link with more lighting, security and control devices
- Ultra low power consumption
- Free tool installation
- CE, FCC, ROHS certified

Power Supply	CR2032 battery
Transmit Size	61.5*30.3*11.7mm
Magnet Size	44.8*10.9*7.9mm
Color	White
Working temp.	-10~50°C
Working hum.	10%-90% RH
Communication Protocol	Zigbee HA 2.4G

**HW-10 22**

## MOTION SENSOR



- Adopt stable and reliable Zigbee protocol
- Get alerted if someone is moving in your house
- Link with more lighting, security and control devices
- Ultra low power consumption
- Free tool installation
- CE, FCC certified

Power Supply	AA battery
Body Size	88*90*27mm
Color	Black
Working temp.	-10 ~ 50°C
Working hum.	10%-90% RH
Communication Protocol	Zigbee HA
Radio Frequency	2.4G

**HW-10 23**

## SMOKE SENSOR



- Adopt stable and reliable Zigbee protocol
- Get alerted if the smoke is exceeded in your house
- Link with more lighting, security and control devices
- Ultra low power consumption
- Free tool installation
- CE, ROHS certified

Power Supply	DC 3V (CR123A Lithium Battery)
Dimension	60*60*49.2mm
Static current	≤ 10uA
Alarm current	≤ 60mA
Sound level	85 dB/3m
Working temp.	-10~50°C
Working hum.	Max 95% RH
Wireless networking distance	≤ 100m (open area)

**HW-10 24**

## COMBUSTIBLE GAS SENSOR



- Adopt stable and reliable Zigbee protocol
- Get alerted if the gas is exceeded in your house
- Link with more lighting, security and control devices
- Ultra low power consumption
- Free tool installation
- CE, ROHS certified

Power Supply	AC 100V - 240V
Dimension	79*68*31mm
Alarm current	<1.5W
Average consumption	75dB/m
Working temp.	-10 ~ 50°C
Working hum.	Max 95% RH
Wireless networking distance	≤ 100m (open area)

**HW-10 25**



## TEMPERATURE & HUMIDITY SENSOR



- Adopt stable and reliable Zigbee protocol
- Get alerted if the gas is exceeded in your house
- Link with more lighting, security and control devices
- Ultra low power consumption
- Free tool installation
- CE, ROHS certified

Operating voltage	DC 3V (CR2450 button Battery)
Dimension	79*68*31mm
Static current	≤ 10uA
Communication Protocol	ZigBee HA
Working temp.	-15 ~ 60°C
Working hum.	Max 95% RH
Wireless networking distance	≤ 100m (open area)

**HW-10 26**

## CARBON MONOXIDE SENSOR



- Adopt stable and reliable Zigbee protocol
- Get alerted if the CO is exceeded in your house
- Link with more lighting, security and control devices
- Ultra low power consumption
- Free tool installation
- CE, ROHS certified

Operating voltage	DC 3V (CR123A Lithium Battery)
Dimension	54*54*45mm
Static current	≤ 20uA
Alarm current	≤ 60mA
Sound level	85 dB/1m
Communication Protocol	ZigBee HA
Working temp.	-10~50°C
Working hum.	Max 95% RH
Wireless networking distance	≤ 70m (open area)

## WATER LEAKAGE SENSOR

- Adopt stable and reliable Zigbee protocol
- Get alerted if the water is overflowed in your house
- Link with more lighting, security and control devices
- Ultra low power consumption
- Free tool installation
- CE, ROHS certified



Working Voltage	DC 3V (CR2032 button cell)
Dimension	60*30*12.5mm
Sensor Dimension	28.3*26.5*12.2mm
Static current	≤ 5uA
Alarm current	≤ 30mA
Communication Protocol	ZigBee HA
Working temp.	-10 ~ 50°C
Working hum.	Max 95% RH
Wireless networking distance	≤ 100m (open area)

**HW-10 28**

## EMERGENCY BUTTON



- Adopt stable and reliable Zigbee protocol
- Alert to you if your family meet any emergency
- Link with more lighting, security and control devices
- Ultra low power consumption
- Free tool installation, you can take it with you

Working Voltage	DC 3V (CR2032 button cell)
Dimension	57.5*34.5*13mm
Sensor Dimension	28.3*26.5*12.2mm
Static current	≤ 3uA
Alarm current	≤ 30mA
Communication Protocol	ZigBee HA
Working temp.	-10~50°C
Working hum.	Max 95% RH
Wireless networking distance	≤ 100m (open area)

## SENSOR ACCESS RELAY



- Adopt stable and reliable Zigbee protocol
- Transform the traditional wired sensors to be smart
- Remote control the wired sensors via phone app
- Support various customized scene settings

Input Power	DC12V 1A
Input port	6 signal ports, 3 groups of switching signal input
Body Size	70*70*23mm
Color	White
Static current	≤ 3uA
Alarm current	≤ 30mA
Communication Protocol	ZigBee HA
Working temp.	-10 ~ 45°C
Working hum.	≤80% RH
Housing Material	ABS

**HW-10 30**

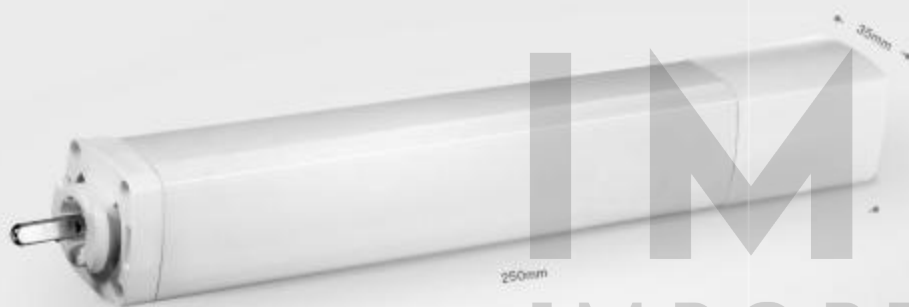
## ZIGBEE CURTAIN MOTOR



- Adopt stable and reliable Zigbee protocol
- Remote control the curtain via phone app
- Support various customized scene settings
- Works with Alexa & Google Home for voice control
- Support soft touch start, obstruction detection

Input Power	AC100 ~ 240V 50/60Hz
Rated Power	80W
Max Load	40Kg (curtain with 8 m)
Body Size	310*68*50mm
Color	Gray
Communication Protocol	ZigBee HA
Working Frequency	2.4G
Working temp.	-20 ~ 65°C
Working hum.	10%-90% RH

## SMART CURTAIN MOTOR W50CZ



- Adopt stable and reliable Zigbee protocol
- Support lithium battery to supply power
- Remote control the curtain via phone app
- Support various customized scene settings
- Works with Alexa & Google Home for voice control
- Support soft touch start, obstruction detection

Power Supply	DC 12.6V, 12V battery
Rated Torque	1.0Nm
Body Size	250*35*35mm
Color	White
Max Load	40Kg (curtain with 8 m)
Communication Protocol	ZigBee HA
Working Frequency	2.4G



## MULTI-FUNCTIONAL RELAY



- Adopt stable and reliable Zigbee protocol
- Control motors of railway curtain, electric window, garage door and garden irrigation devices
- Remote control the curtains, electric window, garage door and garden irrigation via phone app
- Support various customized scene settings

Input Power	AC100V-240V, 50/60Hz
Max. Load	5A
Body Size	70*70*23mm
Color	White
Communication Protocol	ZigBee HA
Working Frequency	2.4G
Working temp.	-20 ~ 60°C , -4 ~ 140°F
Working hum.	20%-90% RH
Housing Material	ABS



## CENTRAL A/C CONTROL PANEL



- Adopt stable and reliable Zigbee protocol
- Remote control the central A/C via phone app
- Support various customized scene settings
- Support most of the existing center A/C of Fan coil type

Input Power	AC100V-240V, 50/60Hz
Rated Power	< 1.5W
Temperature Range	10°C ~ 30°C
Body Size	86*86*15mm
Communication Protocol	ZigBee HA
Working Frequency	2.4G
Working temp.	-20 ~ 40°C
Working hum.	85%

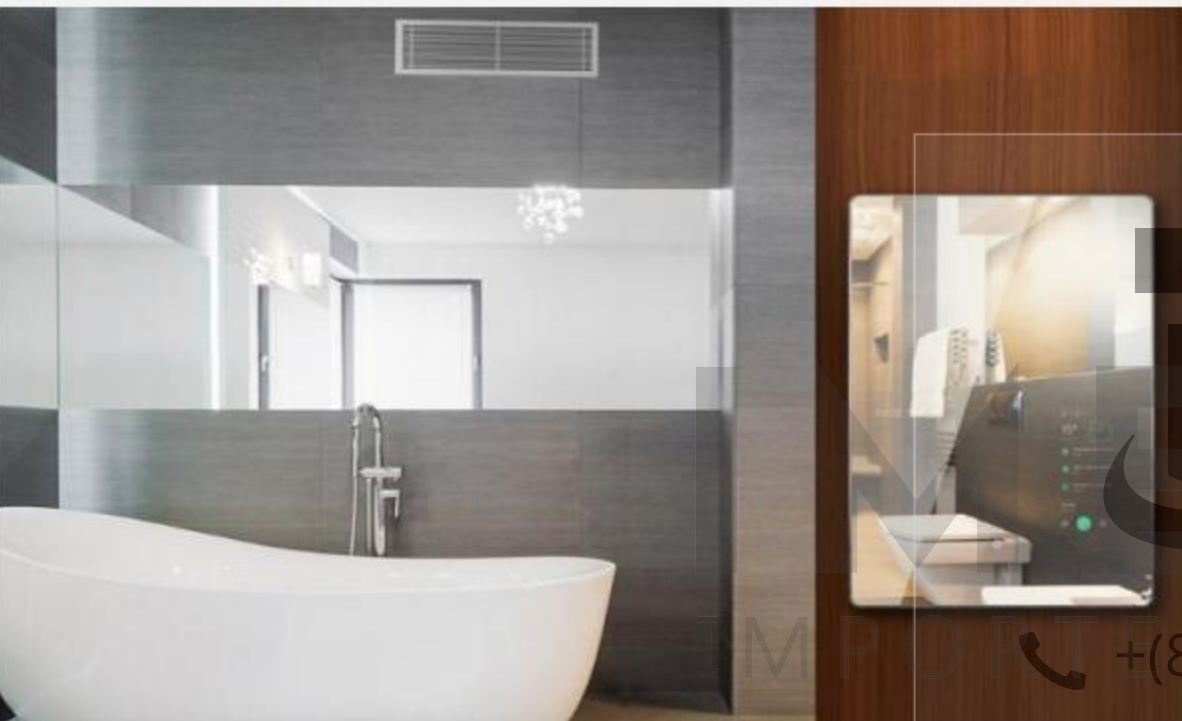
**HW-10 34**

## VRV ACCESS RELAY



- Adopt stable and reliable Zigbee protocol
- Transform the traditional central A/C to be smart
- Remote control the central A/C via phone app
- Support various customized scene settings
- Support central A/C brands of DAIKIN, TOSHIBA, Mitsubishi Electric, HITACHI, etc.

Input Power	AC100V-240V, 50/60Hz
Body Size	70*70*23mm
Color	White
TX Power	<4.5dBm
Cable interface	RS485
Communication Protocol	ZigBee HA
Working Frequency	2.4G
Working temp.	-20 ~ 60°C , -4 ~ 140°F
Working hum.	≤80% RH
Housing Material	ABS



## SMART MIRROR

- Embed the screen, sensor and operating system to the traditional mirror to achieve the interaction functions
- Control the connected devices via the smart mirror
- Scan the daily schedules, news, weather and more
- Work with several brands of third-party devices like the sleep belt, weight scale, etc.

Power Supply	AC100 ~ 240V, 2A MAX, 50/60Hz
Working Power Consumption	≤60W
Wireless standard	Wi-Fi 2.4G & 5G, IEEE 802.11 a/b/g/n
Bluetooth	Bluetooth V4.0 of 1, 2 and 3 Mbps
Body Size	800*600*37mm
Display Area	477*268mm
Resolution	1920*1080
Resolution time	5ms
Lightness	500cd/m <sup>2</sup>
Speaker	Built-in, 3W*2

**HW-10 36**

# PRODUCT APPLICATION- SMART MIRROR



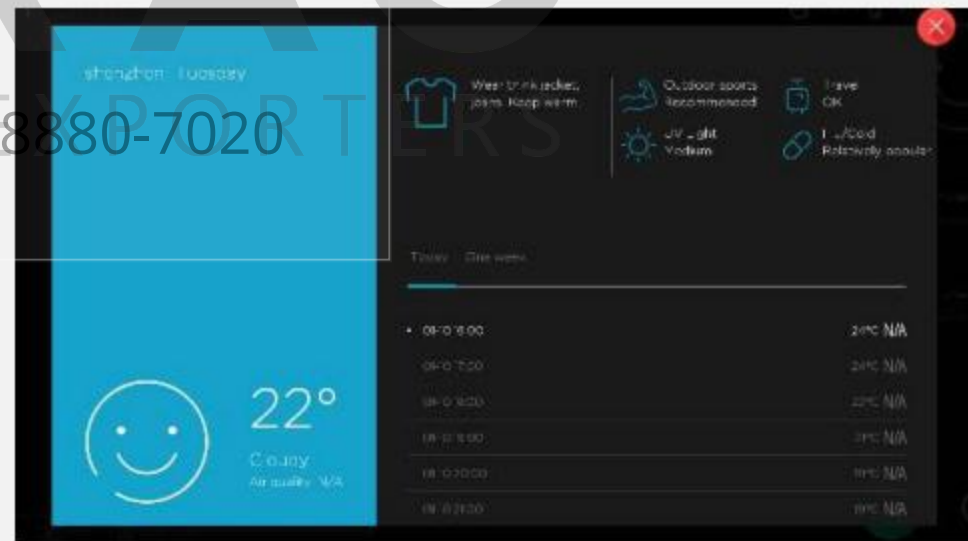
DEVICES CONTROL



BROWSE THE NEWS



DEVICES CONTROL



BROWSE THE DAILY INFORMATION

■ AS2030 安全锁 ( 锌合金 ) | SAFETY LOCK-ZINC ALLOY



AS2030



AS2031-ID-21



AS2031-ID-28



AS2031-10-21



AS2031-11-MU



AS2031-12-MU



AS2031-13-MU

+ (86) 186-8880-7020

IMPORTERS EXPORTERS

■ AS1030 移门锁 ( 锌合金 ) | SLIDING DOOR LOCK-ZINC ALLOY



AS1030



AS1031-H01-03



AS1031-H01-12



AS1031-H01-RG

HW-12 1



AS1031-H01-KP



AS1031-H01-RQ



AS1032-H01-03



AS1032-H01-12



AS1032-H01-KG



AS1033-H01-03



AS1034-H01-12



AS1034-H01-KG



AS1034-H01-KP



AS1034-H01-RQ

+ (86) 186-8880-7020



AS1031-H02-KP



AS1031-H02-RQ



AS1034-H02-KP



AS1034-H02-RQ

HW-12 2



AS1031-H03-03



AS1031-H03-12



AS1031-H03-21



AS1031-H03-KG



AS1001-H03-KP



AS1031-H03-KQ



AS1032-H03-03



AS1032-H03-12



AS1032-H03-KG



AS1034-H03-03



AS1034-H03-12



AS1034-H03-21



AS1034-H03-KG



AS1036-H03-KP



AS1034-H03-KQ

+ (86) 186-8880-7020

IMPORTERS EXPORTERS

■ AS2010/AS2020 选配锁体 ( 锌合金 ) | 插芯门锁 MORTISE DOOR LOCK-ZINC ALLOY



AS2010/AS2020



AH14D90-02



AH14D187-B1



AH48117-02



AH48117-21



AH49118-21



AH48117-21



AH94211-78



AH43181-31



AH43181-5132



AH43185-5132



AH43185-81

+ (86) 186-8880-7020



AH43188-5132



AH43188-01



AH43250-ORB (不白色)



AH43251-ORB (不白色)



■ AS2010/AS2020 选配锁体 ( 锌合金 ) 插芯门锁 MORTISE DOOR LOCK-ZINC ALLOY



AH4205C-02



AH4205C-20



AH4205C-21



AH4205C-01



AH7005C-20



AH7005C-21



AH2005C-12



AH2356-01



AH3756-01



AH2360-1278



AH2360-70



AH2360-01



AH3371-12



AH4275-01



AH3886-BA



AH4298-02

+ (86) 186-8880-7020

IMPORTERS EXPORTERS

■ AS2041A-1C 插芯门锁-抗菌系列 ( 锌合金 ) | MORTISE DOOR LOCK-ANTIBACTERIAL-ZINC ALLOY



AS2041A-1C



AH14090-KP



AH43181-KQ



AH43185-KQ



AHD7224-KNK1



AHD7224-KD



AHD7224-KF



AHD7224-KQ



AHD7220-KNK1



**NEW** AHP1203-KSIX



**NEW** AHP1203-KTKV



**NEW** AHNS204-KL

+ (86) 186 8880-7020



**NEW** AHNS204-KP



**NEW** AHN6205-KS



**NEW** AHN6205-KT



**NEW** AHNS208-KJ



NEW AHN6246-KS



NEW AHN6246-KT



NEW AHN9247-KO



NEW AHN9247-KQ



NEW AHP3248-KQ



NEW AHP1254-KS

+ (86) 186 8880-7020

NEW AHP1254-KQ



NEW AHP2256-KO



NEW AHP2256-KQ



AHP1234-KQ



NEW AHN5237-KQ



NEW AHN9247-KQ

■ AS2040A 插芯门锁-抗菌系列 ( 锌合金 ) | MORTISE DOOR LOCK-ANTIBACTERIAL-ZINC ALLOY



AH20C15-KT



AH9A169-KSKJ



AH9A169-KTKN



AH33C185-KQ



NEW AHP5203-KSKX



NEW AHP5203-KTKY



NEW AHP3206-KJ



NEW AHP3208-KL



NEW AHP3208-KT



NEW AHP6223-K9



NEW AHP5230-KT



NEW AHP6237-KP



NEW AHP3238-KL



NEW AHP3238-KQ



AHU2A241-K5



AHU2A241-KT

+ (86) 186-8880-7020

IMPORTERS EXPORTERS



AHJ3A242-RS



AHJ3A242-KT



AHJ4A243-RS



AHJ4A243-KT



AHJ5A244-RS



AHJ5A244-KT



AHK9A250-RS

■ AS2040A 插芯门锁 ( 锌合金 ) | MORTISE DOOR LOCK-ZINC ALLOY

+ (86) 186-8880-7020



NEW AHNS209-31

NEW AHNS210-31

NEW AHNS223-31

NEW AHNS230-31



NEW AHNS233-31

NEW AHD3235-31

NEW AHD3248-31

NEW AHNS245-31

HW-12 9

■ AS2311 插芯门锁 ( 不锈钢 ) | MORTISE DOOR LOCK-STAINLESS STEEL



AS2311



AF2746-P2



AF2645-P2



AF3048-P2



AF2947-P2

■ AS6060/AS6070/AS6080 插芯门锁 | MORTISE DOOR LOCK



AS6060/AS6070/AS6080



AF33D47-P3



AHK3D266-16



AHA1D154-12



AHA1D154-7003

+ (86) 186-8886-7020

IMPERIA  
IMPORTERS EXPORTERS

■ AS2051A 插芯门锁 ( 锌合金 ) | MORTISE DOOR LOCK-ZINC ALLOY



AS2051A 锁体



AH4105C-02



AH4105C-20



AH4105C-21



AH4105C-81



AH7105C-20



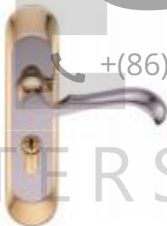
AH7105C-21



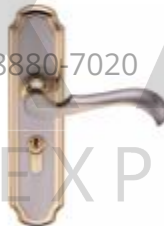
AH2815-12



AH2933-12



AH3056-81



AH3956-74



AH3956-81



AH4059-81



AH3059-1278



AH3060-1278



AH3060-70

+ (86) 186-8880-7020

IMPORTERS EXPORTERS



AH3102-B1



AH71118-7281



AH1167-36



AH3169-02



AH3160-B8



AH4170-36



AH2171-62



AH2171-61



AHL6172-WW



AH32185-B1



AH6168-B1



AHM8195-21



AHM8195-BB



AHM5219-36



AHM5219-ORB



AHL2240-MW

+ (86) 186-8880-7020

IMPORTERS EXPORTERS





AHL5241-BB



AHL5241-MW



AHL1242-B5



AHL4243-BB



AHL4243-MW



AHL6244-02



AHL6244-BB



AHN3244-MU



AHL8250-ORB (不扫色)



AHL6253-BB



AHL6253-MW



AHM4264-36



AHM4264-ORB



AHM7265-MU



AHN2270-36

+ (86) 186-8880-7020

IMPORTERS EXPORTERS

■ AS2101 插芯门锁 | MORTISE DOOR LOCK



AS2101 镀锌+单开普通插芯



AF0101-P2



AF0102-P2



AF0111-P2



AE0105-D7



AE0105-DM



AE0110-D7



AE0110-DM



AE0115-D7



AE0115-DM



AE0119-D7



AE0119-DM



AE0419-D7



AE0419-DM

+ (86) 186-8880-7020

MEIFA  
IMPORTERS EXPORTERS

■ AS5090A 插芯门锁 (铝合金) | MORTISE DOOR LOCK-ALUMINUM



AS5090A 锁体+锁芯



AS5091A-E1610-R6  
AS5092A-E1610-R6



AS5091A-E1712-R6  
AS5092A-E1712-R6

■ AS2140 逃生门锁 (锌合金) | MORTISE DOOR LOCK WITH ESCAPE FUNCTION-ZINC ALLOY



AS2140 锁体+锁芯



AH7260A-74



AH73123-1278



AH76124-12



AHB4168-447

+ (86) 186-8880-7020

■ AS2310 防火锁 (不锈钢) | FIRE-PROOF DOOR LOCK-STAINLESS STEEL



AS2311



AS2311-F2845-21

HW-12 15

■ AS2511/2521 防火锁 ( 不锈钢 ) | FIRE-PROOF DOOR LOCK-STAINLESS STEEL



S2511/S521 锁体



AF01A01A-P2



AF01A02A-P2



AF05A31A-P3



AF00A02A-P3



AF08B28B-P3

■ AS4020 球形把手锁 ( 锌合金 ) | HANDLE LOCK WITH KNOB-ZINC ALLOY

+ (86) 186-8880-7020



S4020 锁体



AS4021-01-12  
AS4022-01-12



AS4021-04-12  
AS4022-04-12



AS4021-09-12  
AS4022-09-12

■ AZ1041 球形把手锁 ( 锌合金 ) | HANDLE LOCK WITH KNOB-ZINC ALLOY



Z1041 锁体



AS4041-14  
AS4042-14



AS4041-27  
AS4042-27

■ AS4072 浴室锁 | PRIVACY LOCK



AS4072



AS4072-E03-D7



AS4072-496-78



AS4072-H104-70



AS4072-H126-7812

■ AS4082 插芯门锁 ( 锌合金 ) | MORTISE DOOR LOCK-ZINC ALLOY



AS4082



AS4081-HD2P-21  
AS4082-HD2P-21



AS4081-HD2P-70  
AS4082-HD2P-70



AS4081-HD2P-78  
AS4082-HD2P-78

+ (86) 186-8880-7020

■ AS5112/AS5212 磁力插芯门锁 ( 锌合金 ) | MAGNETIC MORTISE DOOR LOCK-ZINC ALLOY



AS5201-CL / AS5202-OL  
(标配铜棒)



AS5112-OL (标配铜棒)



AS5212-OL (标配铜棒)



AHD7224-51



AHD7229-KJ



AHD7255-51



AHD7255-KG (非标色)



AHD7257-31



AHD7259-31



AHD7259-5132



AHD7300-KJ

+ (86) 186-2380-7020



AHD3225-51



AHD3252-51



AHU1240-21



AHJ2241-M1



AHJ3242-M1



AHJ5244-M1

■ AS6030 机械多点防盗锁 ( 不锈钢 ) | SAFETY LOCK-STAINLESS STEEL



AS6030 镀锌+铜芯



AF3145-21



AF3248-21



AF3145-P3



AF3248-P3



AF3347-P3

+ (86) 186-8880-7020

■ AZ1010 玻璃门锁 | GLASS DOOR LOCK



AZ1010



AZ1011-12

■ AZ1030 玻璃门锁 | GLASS DOOR LOCK



AZ1040



AZ1041-27(KW1)



AZ1042-27(KW2)



AZ1044+AZ1041KW1



AZ1044+AZ1042KW1

+ (86) 186-8880 7020



■合页 | HINGE -铜 COPPER



AW4121-4BB



AW4131-4BB



AW4131-4BB-ORB



AW4151D-4BB-21



AW4151D-4BB-K9



AW4151D-4BB-KJ



AW4151D-4BB-KL



AW4151D-4BB-KQ



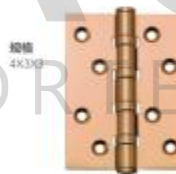
AW4151D-4BB-KP



AW4151D-4BB-KQ



AW4151D-4BB-ORB



AW4151A-4BB

■平头合页 | HINGE -不锈钢 STAINLESS STEEL



AW4110F-P2-4BB



AW4110F-P2-4BB-20



AW4110F-20-4BB-20



AW4110F-21-4BB-21

规格 (201料)  
4X3X2.5  
4X3X3  
4X4X3  
5X3X3  
5X3.5X3



AW4110F-42-4BB-42

规格 (201料)  
4X3X3  
5X3X3



AW4110F-MY-4BB-MY

规格  
4X3X3



AW4110FB-4BB-43

规格  
4X3X3



AW4120F-P2

■ 弹簧合页 | SPRING HINGE - 不锈钢 STAINLESS STEEL

规格  
4"X3"X3  
4"X4"X3  
4"X3"X2.5



AW4003F

规格  
4"X2



AW4004F

■ 屏风铰 | HINGE - 不锈钢 STAINLESS STEEL

规格  
Ø14.2(5X3X3)  
Ø14.2(4X3X3)



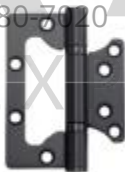
AW4001FA-20

规格  
Ø14.2(5X3X3)  
Ø14.2(4X3X3)



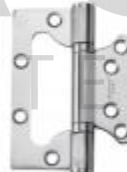
AW4001FA-21

规格  
Ø14.2(5X3X3)  
Ø14.2(4X3X3)



AW4001FA-ORB

规格  
Ø14.2(5X3X3)  
Ø14.2(4X3X3)  
Ø14.2(5X3X3)



AW4001FA-P2

规格  
Ø7(26X47X1.5)  
Ø12(100X70X2.5)



AW4001F-P2

■ 铰链 | HINGE - 不锈钢 STAINLESS STEEL

规格  
Φ12(102X74X2)  
Φ18(126.5X101.6X3)



AW4411F-P2



AY8210F-P2



AY8211F-P2

■ 液压合页 | HYDRAULIC PRESSURE HINGE - 铝合金 ALUMINUM



NEW AW4091E-D7



NEW AW4091E-MA



NEW AW4092E-D7



NEW AW4092E-MA



NEW AW4093E-D7



NEW AW4093E-MA

+ (86) 186-8880-7020

■ 暗铰链 | HINGE

规格  
60-63-70  
95-118A



AY8214-71



AK8214C-Q1



AK8214D-Q1

■门吸 | DOOR HOLDER-铜 COPPER



AW1711C-02



AW1711C-B5



AW1711C-BM

■门吸 | DOOR HOLDER-锌合金 ZINC ALLOY



AW1740-70



AW1740-78



AW1742-70



AW1742-78



AW1742-K9



AW1743-12



AW1743-21



AW1761-03

+ (86) 186-8880-7020



AW1761-12



AW1761-20



AW1761-21



AW1762-03



AW1762-12



AW1762-20



AW1762-21



AW1762-ORB



AW1765-03



AW1765-12



AW1765-20



AW1765-21

+ (86) 186-8880-7020



AW1768-03



AW1768-12



AW1768-21



AW1774-31



AW1775-31



AW1775-K9



AW1775-KJ



AW1775-KL

**HW-12 25**



AW1775-KO



AW1775-KP



AW1775-KQ



AW1775-KS



AW1775-KT

■门吸 | DOOR HOLDER-不锈钢 STAINLESS STEEL

+ (86) 186-8880-7020



AW1743F-P2



AW1750F-P2



AW1773F-P2



AW1762F-P2

■门吸 | DOOR HOLDER-铝合金 ALUMINUM



AW1750E-D7



AW1760E-D7

■门顶 | DOOR STOPPER - 锌合金 ZINC ALLOY



AW2661-31



AW2662-31



AW2210-12



AW2210-03



AW2120-03



AW2120-12



AW2120-31

■门顶 | DOOR STOPPER - 不锈钢 STAINLESS STEEL

+ (86) 186-8880-7020



AW2120FA-P2



AW2120F-P2

■门顶 | DOOR STOPPER - 铝合金 ALUMINUM



AW2611E-D7



AW2631E-D7

HW-12 27

■ 弹珠锁 | SPRING LATCH



AW1310-00



AW1310-10



AW1310-20



AW1320F

■ 管井锁 | TUBE LOCK



AW1530-00



AW1530-12



AW1530F

■ 插销 | FLUSH BOLT - 不锈钢 STAINLESS STEEL

+ (86) 186-8880-7020



AW1616F

规格  
6"-20  
8"-20  
10"-20  
12"-20  
18"-20



AW1620F-20

规格  
8"-21  
8"-21  
10"-21  
12"-21  
18"-21



AW1620F-21

规格  
8"-P2  
8"-P2  
10"-P2  
12"-P2  
18"-P2



AW1620F-P2



规格  
6"-P2(12)  
8"-P2(12)  
10"-P2  
12"-P2(12)

AW1632F-P2



规格  
6"  
8"  
10"  
12"

AW1633F-P2



规格  
8"X16,5  
8"X16,5  
10"X16,5  
12"X16,5

AW1635F-P2



AW1642F



■插销 | FLUSH BOLT -铜 COPPER

规格  
6"-22  
8"-22  
10"-22  
12"-22



AW1632C-22

规格  
6"-20  
8"-12  
10"-20  
12"-12



AW1639C-12

规格  
6"-21  
8"-21  
10"-21  
12"-21



AW1639C-21

规格  
6"-P2  
8"-22  
10"-P2  
12"-22



AW1639C-22

■插销 | FLUSH BOLT



AW1636-P2

■防盗链 | DOOR CHAIN

+ (86) 186-8880-7020



AW3110-12(改进型)



AW3210A-03



AW3210A-12



AW3313-02



AW3313-12



AW3316-02



AW3316-31

■猫眼 | DOOR VIEWER-铜 COPPER



AW4610C-12



AW4610C-20



AW4610C-21



AW4610C-22

■防尘筒 | DUST PROOF-不锈钢 STAINLESS STEEL



AW4616F-42



AW4616F-P2

■吊轮 | HANG ROLLER-铁/不锈钢 STEEL / STAINLESS STEEL

+ (86) 186-8880-7020



AY8313A



AY8315A



AY8315B



AY8315C



AY8316A



AY8318



AY8318A



AY8319

HW-12 30



AYB321



AYB325



AYB325A



AYB326



AYB327A



AYB328



AYB336S



AYB336

+ (86) 186-8880-7020



NEW AYB337SA



NEW AYB338

■ 导轨 | HANG RAIL - 铝合金 ALUMINUM



规格  
2M  
3M  
4M  
3.6M  
5M

AYB401



规格  
6M

AYB401A



规格  
3M

AYB402



规格  
6M

AYB403

HW-12 31



AD2620



AD2710



AD2520 下支臂组件



AD2620上支臂组件



AD1210 上支臂组件



AD1210下支臂组件

■ 闭门器 | DOOR CLOSER

+ (86) 186-8880-7020



AB0210A-51-18



AB0310A-51-10



AB0210A-51-10



AB0030-01-10



AB0330D-02-18



AB0330D-02-10



AB0330-02-18



AB0330-02-10

HW-12 32

■ T11系列(铝合金)-沙银 | T11 SERIES-ALUMINUM-SAND SILVER



AT0111-D7



AT0211-D7



AT0311A-D7



AT0311B-D7



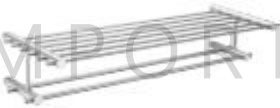
AT0611S+T1311-D7



AT0711-24-D7



AT0811-24-D7



AT0811B-24-D7



AT0911-D7



AT1111AS-D7



AT1111BS-D7



AT1211A-D7



AT1211B-D7

+ (86) 186-8880-7020

■ T11 系列 ( 鋁合金 ) - 啞黑 | T11 SERIES-ALUMINUM-MATT BLACK



AT0111-DM



AT0211-DM



AT0311A-DM



AT0311B-DM



AT0611S+T1311-DM



AT0711-24"-DM



AT0811-24"-DM



AT0811B-24"-DM



AT0911-DM



AT1111AS-DM



AT1111BS-DM



AT1211A-DM



AT1211B-DM

+ (86) 185-8880-7020

T21 系列(锌合金)-K金 | T21 SERIES-ZINC ALLOY-K GOLD



AT0121-02



AT0221-02



AT0321-02



AT0621-02



AT0721-24\*-02



AT0821B-24\*-02

+ (86) 186-8880-7020

IMPORTERS EXPORTERS



AT0921-02



AT1121A-02



AT1121B-02

■ T24系列(铜)-铬 | T24 SERIES-COPPER-CHROME



AT0124C-31



AT0124CA-31



AT0224C-31



AT0324CB-31



AT0324CC-31

+ (86) 186-8880-7020



AT0424C-31



AT0524C-31



■ T27 系列 ( 锌合金 ) -K 金/铬 | T27 SERIES-ZINC ALLOY-K GOLD/CHROME



AT0127-69



AT0227-69



AT0327B-69



AT0927-69



AT0827B-69



AT0827-69



AT0727-69

■ T27 系列 ( 锌合金 ) -咖啡色(不扫色) | T27 SERIES-ZINC ALLOY-COFFEE

+ (86) 186-8880-7020



AT0127-KC



AT0227-KC



AT0327B-KC



AT0427-KC



HW-12 37



AT0827-KC



AT0927-KC



AT1027-KC

■ T30系列(铜)-铬 | T30 SERIES-COPPER-CHROME



AT0130C-31



AT0130CA-31



AT0230C-31



AT0330C-31



AT0730C-31



AT0830C-31

+ (86) 186-8880-7020



AT0830CB-31



AT0930F-P1

**HW-12 38**



AT0136C-31



AT0236C-31



AT0336C-31



AT0936C-31



AT0836CA-31



AT0836C-31



AT0736C-31

T37 系列 (铜)-格 | T37 SERIES-COPPER-CHROME

+ (86) 186-8880-7020



AT0137C-31



AT0137CA-31



AT0237C-31



AT0337C-31



AT0737C-31



AT0837C-31

HW-12 39



NEW AT0139CA-31



NEW AT0139CC-31



NEW AT0139CB-31



NEW AT0239C-31



NEW AT0339C-31



NEW AT0739C-31



NEW AT0939C-31



NEW AT0839CA-31



NEW AT0839C-31

(86) 186-8880-7020

化妆镜 | DRESSING MIRROR



AT1801-8"-31



AT1802-6"-31



AT1802-8"-31



AT1803A-10"-31

HW-12 40

■ 浴巾架 | DOUBLE TOWEL RACK



AT2090-31



AT2060-31



AT2060A-31



AT2070-31



AT2070A-31

(86) 186-8880-7020



AT9130C-31

■ 花洒水龙头 (铜) | SHOWER & FAUCET-COPPER



AT9330C-31



AT9330CA-31

HW-12 41

■ 面巾纸箱 ( 不锈钢 ) | TISSUE CLOSET-STAINLESS STEEL



AT1502A-P1



AT1504-P2



AT1508-P2



■ 纸巾座 ( 不锈钢 ) | TISSUE CLOSET-STAINLESS STEEL



AT1701A-P1



AT1703-P1



AT1704-P1

AT1505-P2



AT1704A-P1



AT1704B-P1



AT1705B-P1



AT1708-P1

+ (86) 186-8880-7020



NEW AT1711F-P1



NEW AT1711FA-P1

■ 浴缸拉手 | BATHTUB HANDLE



AT4021C-16"-31



AT4032C-16"-31



AT4033C-16"-31

■ 地漏 | DRAINAGE FUNNEL



AT5132C-31



AT5133C-31



AT5135C-31



AT5327C-31



AT5320C-31



AT5321C-31



AT5322C-31



AT5322CA-31



AT5323C-31



AT5324C-31



AT5325C-31



AT5326C-31

+ (86) 186-8880-7020



AT5320C-21



AT5321C-21



AT5322C-21



AT5323C-21



AT5324C-21



AT5325C-21



AT5326C-21



AT5327C-21

+ (86) 186-8880-7020



AT5329C-21



AT5330C-21



AT5143FD-P2



AT5143FC-P2



AT5311FA



AT5311FB



AT5312FA



AT5318F-P2



■ 垃圾桶 | TRASH CAN



NEW AT1404-P2



NEW AT1404-QT



NEW AT1405-P2



NEW AT1405-QT



NEW AT1406-P2



NEW AT1406-QT

■ 晾衣架 | CLOTHES RACK

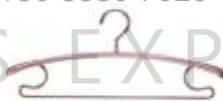
+ (86) 186-8880-7020



AT6010A-P1



AT6011-P1



AT6012-D4



AT6012-D5



AT6012-DQ



AT6013-D4



AT6013-D5



AT6013-DQ

HW-12 45

■ 网架 ( 不锈钢 ) | NET HOLDER-STAINLESS STEEL



AT8001F-31



AT8001F-ORB



AT8002F-31



AT8003F-31



AT8004F-31



AT8005F-31



AT8006F-31



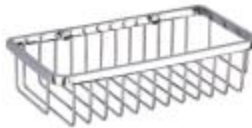
AT8008F-31



AT8008F-ORB



AT8028F-P1



AT8029F-P1



AT8030F-P1

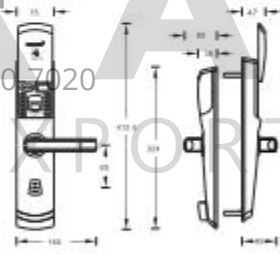
+ (86) 186-8880-7020

# AJ1021-01A FINGERPRINT DOOR LOCK



- Password
- Mechanical key
- Fingerprint
- Emergency escape function
- Slider protection
- Fingerprint learning function
- Three languages
- Liveness fingerprint detection
- Passage model
- Low Battery Alarm
- Safe Handle
- Upward handle for locking
- 9V emergency power
- Super B class cylinder
- Anti-kick alarm
- Data Download
- User Management
- Different access privilege
- Smart lock body
- OLED Screen

+ (86) 186-8880 71020



## Specification

Fingerprint	Optical Sensor
Password	80 users
Mechanical Key	10 pins in double rows
Material	Zinc Alloy
User Capacity	80 users(Fingerprint+Password)
Mortise	Backset:60mm
Door Thickness	45-110mm
Power	AA Alkaline Batteries 4 pcs
Battery Life	12 months

## Colours



AJ1021-01A-20 AJ1021-01A-21 AJ1021-01A-30 AJ1021-01A-K9

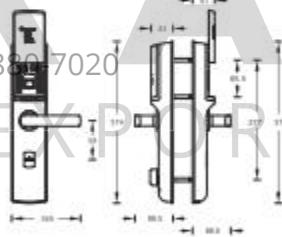
# HW-12 47

# AJ1021-02A FINGERPRINT DOOR LOCK



-  1 2 3  
4 5 6  
7 8 9  
Password
-  Mechanical key
-  Fingerprint
-  Emergency escape function
-  Slider protection
-  Fingerprint learning function
-  Three languages
-  Liveness fingerprint detection
-  Passage model
-  Low Battery Alarm
-  Safe Handle
-  Upward handle for locking
-  9V emergency power
-  Super B class cylinder
-  Anti-theft alarm
-  Data Download
-  User Management
-  Different access privilege
-  Smart lock body
-  OLED Screen

+ (86) 186-88807020



## Specification

Fingerprint	Optical Sensor
Password	80 users
Mechanical Key	10 pins in double rows
Material	Zinc Alloy
User Capacity	80 users(Fingerprint+Password)
Mortise	Backset:60mm
Door Thickness	45-110mm
Power	AA Alkaline Batteries 4 pcs
Battery Life	12 months

## Colours



AJ1021-02A-K9



AJ1021-02A-30



AJ1021-02A-20

**HW-12 48**

# AJ1021-03A FINGERPRINT DOOR LOCK



1 2 3  
4 5 6  
7 8 9  
Password

  
Mechanical key

  
Fingerprint

  
Emergency escape function

  
Slider protection

  
Fingerprint learning function

  
Three languages

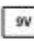
  
Liveness fingerprint detection

  
Passage model

  
Low Battery Alarm

  
Safe Handle

  
Upward handle for locking

  
9V emergency power

  
Remote control

  
Anti-kick alarm

  
Data Download

  
User Management

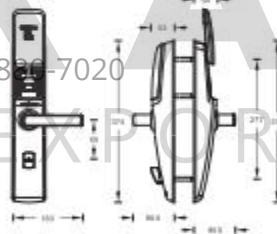
  
Different access privilege

  
Super B class cylinder

  
Smart lock body

  
OLED Screen

+ (86) 186-8836-7020



## Specification

Fingerprint	Optical Sensor
Password	80 users
Mechanical Key	10 pins in double rows
Material	Zinc Alloy
User Capacity	80 users(Fingerprint+Password)
Mortise	Backset:60mm
Door Thickness	45-110mm
Power	AA Alkaline Batteries 4 pcs
Battery Life	12 months

## Colours



AJ1021-03A-30



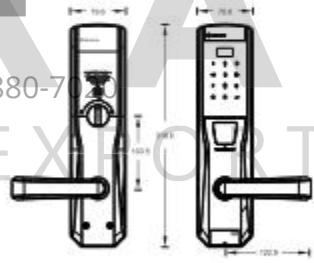
AJ1021-03A-K9

# AJ2021-01 FINGERPRINT DOOR LOCK



- Password
- Mechanical key
- Fingerprint
- Safe password
- Low Battery Alarm
- Unlock Record
- Data Download
- Different access privilege
- Lock failure alarm
- OLED Screen
- Upward handle for locking
- Tempered Glass Touch Keyboard
- 9V emergency power
- Power bank supply

+ (86) 186-8880-7



## Specification

Fingerprint	Optical Sensor
User Access Code	6 digits combination
Mechanical Key	10 pins in double rows
Material	Zinc Alloy
User Capacity	60FP/11PW
Mortise	Backset:60mm
Door Thickness	45-60mm
Power	AA Alkaline Batteries & PCS
Battery Life	12 months

## Colours



AJ2021-01-KF

AJ2021-01-KW1

AJ2021-01-C5

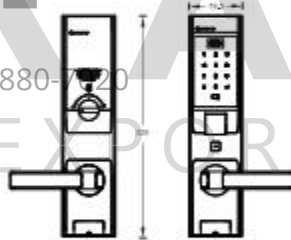
# HW-12 50

# AJ2021-02 FINGERPRINT DOOR LOCK



- 1 2 3  
4 5 6  
7 8 9  
Password
- Mechanical key
- Fingerprint
- IC Card (Optional)
- Safe password
- Low Battery Alarm
- Lock failure alarm
- Data Download
- Different access privilege
- Tempered Glass Touch Keyboard
- Notification
- Upward handle for locking
- Unlock Record
- OLED Screen
- 9V emergency power
- Power bank supply

+ (86) 186-8880-7120



## Specification

Fingerprint	Optical Sensor
User Access Code	6 digits combination
Mechanical Key	10 pins in double rows
Material	Zinc Alloy
User Capacity	60FP/13PW
Mortise	Backset: 60mm
Door Thickness	45-60mm
Power	AA Alkaline Batteries & PCS
Battery Life	12 months

## Colours



AJ2021-02-K9



AJ2021-02-30

# HW-12 51

# AJ2021-03 FINGERPRINT DOOR LOCK



1 2 3  
4 5 6  
7 8 9  
Password



Mechanical key



Fingerprint



IC Card  
(Optional)



Upward handle for  
locking



Safe password



Tempered Glass  
Touch Keyboard



Family service function



Easy handle  
direction change



Micro USB



Low Battery Alarm



Multi privilege user  
management



Anti-theft alarm



C class anti-theft  
cylinder



Support IC card  
unlock (MF1)

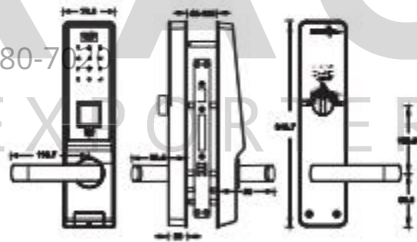


9V emergency power



Power bank supply

+ (86) 186-8880-7



## Specification

Fingerprint	Optical Sensor
Material	Zinc Alloy
User Capacity	Password: 11 Fingerprint: 60 IC card: 30
Mortise	Backset: 60mm
Door Thickness	45-110mm
Power	AA Alkaline Batteries 8 pcs

## Colours



AJ2021-03-KF

# HW-12 52



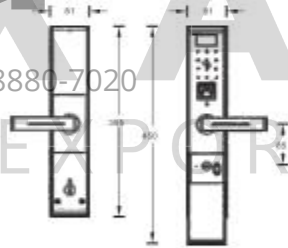
# AJ2011-01 FINGERPRINT DOOR LOCK



1 2 3  
4 5 6  
7 8 9  
Password



+ (86) 186-8880-7020



## Specification

Fingerprint	Optical Sensor
Password	6 users, maximum 20 digits combination
Mechanical Key	10 pins in double rows
Material	Zinc Alloy, Stainless Steel
User Capacity	Project password 1 group
Mortise	Backset:60mm/65mm
Door Thickness	45-110mm
Power	AA Alkaline Batteries 8 pcs
Battery Life	12 months

## Colours



AJ2011-01-KE

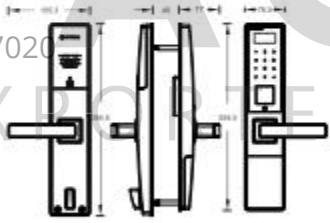
# HW-12 53

# AJ2011-02 FINGERPRINT DOOR LOCK



-  1 2 3  
4 5 6  
7 8 9  
Password
-  Mechanical key
-  Fingerprint
-  IC Card
-  Upward handle for locking
-  Touch key
-  Automatic flip protection
-  Multi privilege user management
-  OLED Screen

+ (86) 186-8880-7020



### Specification

Fingerprint	Optical Sensor
Password	6 digitals
Material	Zinc Alloy, Stainless Steel
User Capacity	FP 100/ PW 100
Mount/Use	Center distance:85mm Backset:60mm
Door Thickness	≥40mm
Power	AA Alkaline Batteries 8 pcs
Battery Life	12 months

### Colours



AJ2011-02-30



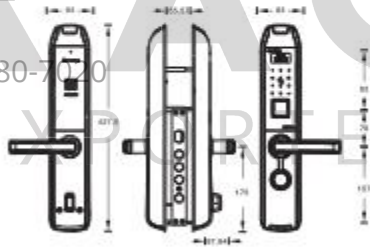
AJ2011-02-K9

# AJ2031-01 FINGERPRINT DOOR LOCK



- Password
- Mechanical key
- Fingerprint
- IC Card
- Safe password
- Lock failure alarm
- Different access privilege
- Data Download
- Unlock Record
- Low Battery Alarm
- Upward handle for locking
- Liveness fingerprint detection
- Notification
- OLED Screen
- 9V emergency power
- Tempered Glass Touch Keyboard
- Micro USB

+ (86) 186-8880-7020



### Specification

Fingerprint	Semiconductor sensor
User Access Code	6 Digits Combination
Mechanical Key	X1 space track slots cylinder
Material	Zinc Alloy
User Capacity	FP 100/ PW 80 / CARD 90
Mortise	Backset center 60 distance 68mm
Door Thickness	45~125mm
Power	AA Alkaline Batteries 8 PCS
Battery Life	12 months

### Colours



AJ2031-01-KQ

AJ2031-01-KO

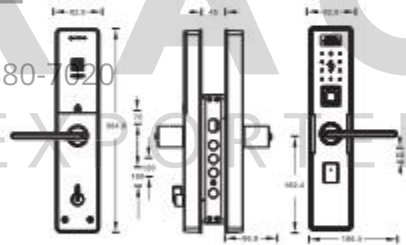
# HW-12 55

# AJ2031-02 FINGERPRINT DOOR LOCK



- 1 2 3  
4 5 6  
7 8 9  
Password
- Mechanical key
- Fingerprint
- IC Card
- Safe password
- Lock failure alarm
- Different access privilege
- Data Download
- Unlock Record
- Low Battery Alarm
- Upward handle for locking
- Liveness fingerprint detection
- Notification
- OLED Screen
- 9V emergency power
- Tempered Glass Touch Keyboard
- Micro USB

+ (86) 186-8880-7520



## Specification

Fingerprint	Semiconductor sensor
User Access Code	6 Digits Combination
Mechanical Key	X1 space track slots cylinder
Material	Zinc Alloy
User Capacity	FP 100/ PW 90 / CARD 90
Mortise	Backset:60mm
Door Thickness	45-110mm
Power	AA Alkaline Batteries 8 PCS
Battery Life	12 months

## Colours



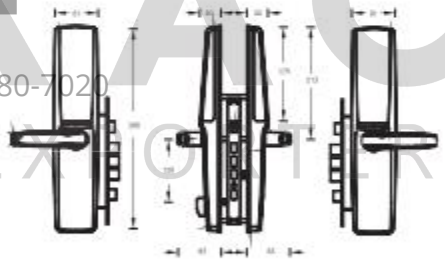
AJ2031-01-KP



AJ2031-01-KO

**HW-12 56**

# AJ2041-01 FINGERPRINT DOOR LOCK



## Specification

Fingerprint	Flat Semi-conductor Sensor
Password	6-12 digitals
Material	Zinc Alloy
User Capacity	FP 200/ PW 15/ CARD 55
Mortise	Center distance:68mm Backset:60mm
Door Thickness	≥40mm
Power	AA Alkaline Batteries 4-8 pcs
Battery Life	12 months

## Colours



AJ2041-01-KQ(BLACK)

AJ2041-01-KQ(RED)

AJ2041-01-KP

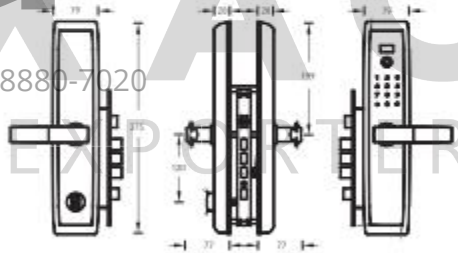
**HW-12 57**

# AJ2041-02 FINGERPRINT DOOR LOCK



- 1 2 3  
4 5 6  
7 8 9  
Password
- Mechanical key
- Fingerprint
- IC Card
- Super B class cylinder
- Touch key
- Anti-theft alarm
- Safe Handle
- Passage model
- Low Battery Alarm
- 9V emergency power
- Upward handle for locking
- Data Download
- User Management
- Different access privilege

+ (86) 186-8880-7020



## Specification

Fingerprint	Flat Semi-conductor Sensor
Password	6-12 digitals
Material	Zinc Alloy
User Capacity	FP 200/ PW 15/ CARD 55
Mortise	Center distance:58mm Backset:60mm
Door Thickness	≥40mm
Power	AA Alkaline Batteries 4-8 pcs
Battery Life	12 months

## Colours



AJ2041-02-BR

AJ2041-02-HQ

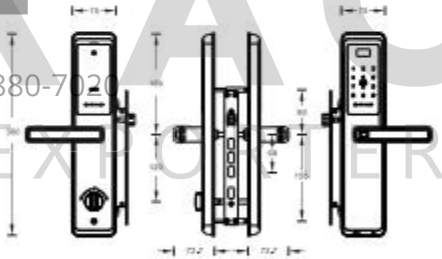
# HW-12 58

# AJ2041-09 FINGERPRINT DOOR LOCK



-   
Password
-   
Mechanical key
-   
Fingerprint
-   
IC Card
-   
Super B class cylinder
-   
Touch key
-   
Anti-theft alarm
-   
Power bank supply
-   
Passage model
-   
Low Battery Alarm
-   
Safe Handle
-   
Upward handle for locking

+ (86) 186-8880-7020



## Specification

Fingerprint	Flat Semi-conductor Sensor
Password	6 digits
Material	Zinc Alloy, Aluminum Alloy
User Capacity	FP 100/ PW 300/ CARD 300 (MAX ID: 300)
Mortise	Center distance:68mm Backset:60mm
Door Thickness	≥40mm
Power	AA Alkaline Batteries 4 pcs
Battery Life	12 months

## Colours



AJ2041-09-QZ

**HW-12 59**

# AJ1051-01A FINGERPRINT DOOR LOCK

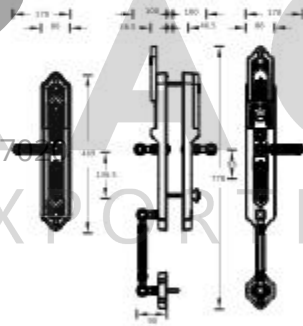


- Password
- Mechanical key
- Fingerprint
- Data Download
- Safe Handle
- Low Battery Alarm
- Super B-class cylinder
- Anti-theft alarm
- 9V emergency power
- Emergency escape function
- Slider protection
- Fingerprint learning function

IMEDIA

IMPORTERS EXPORTERS

+ (86) 186-8880-7000



### Specification

Fingerprint	Optical Sensor
Password	6 digitals
Material	Zinc Alloy,Copper
User Capacity	FP 80/PW 60
Mortise	Center distance:85mm Backset:60mm
Door Thickness	50-70mm
Power	AA Alkaline Batteries 8 pcs
Battery Life	12 months

### Colours



AJ1051-01A-36

AJ1051-01A-02








HW-12 60



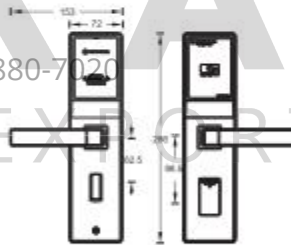
# AJ3011-09

## HOTEL/APARTMENT LOCK



-  K Card
-  Mechanical key
-  Lock failure alarm
-  Data Download
-  Low Battery Alarm
-  Upward handle for locking
-  Notification
-  Unlock Record
-  Different access privilege

+ (86) 186-8880-7020



### Specification

RFID Card	MF1(13.56MHz)
Mechanical Key	10 pins in double rows
Material	Zinc Alloy
Card Type	20 types
Mortise	Center distance:98.5mm Backset:69.5mm
Door Thickness	38-60mm
Power	AA Alkaline Batteries 4 pcs
Battery Life	12 months

### Colours



AJ3011-09-K9

AJ3011-09-31

AJ3011-09-C6

# HW-12 61

# Thank You

---

We appreciate your time and attention. If you have any questions or need further information, please feel free to reach out.

---

 **CHINA OFFICE**

Room 19, 2nd Floor DeYi Commercial Building Construction  
Road No. 4th, Lecong Town Shunde Foshan, Guangdong,  
Postal code: 528 315

佛山市顺德区乐从镇建设路四号德怡商业大厦北门二楼19-3  
铺 528315

 +(86) 186-8880-7020

 goldy@imexao.com



@imexao