

# Hospital Catalogue 2024

SAMPLE 01

BUILD YOUR DREAMS WITH RELIABLE SOURCING FROM CHINA

 [www.imexao.com](http://www.imexao.com)

for  
 19+ YEARS

质量第一

用心呵护您的健康！



09

电动护理床系列

Electric Medical Bed Series

35

手动护理床系列

Manual Medical Bed Series

63

家居护理床系列

Home care Medical Bed Series

81

儿童、婴儿护理床系列

Baby Care beds Series

85

抢救车系列

First aid Beds Series

97

检查床及手术床系列

Examination & Operation Beds Series

111

医用柜及推车系列

Medical cabinets & Trolley Series

124

护理、康复设施及其他配套设备

Health care products series

133

轮椅系列

Wheelchair Series

140

拐杖及其他配件系列

Crutches&other Accessory Series

目录

CONTENT

### 技术参数

Technical parameters

Overall size 规格 2330x1050x530/710 mm

#### Standard Configuration 标准配置

- 丹麦电机系统引流挂钩, 输液杆 • Denmark LINAK medical motor system  
Urine hooks, I.V drip
- PP护栏一套护栏触摸键盘 • Side rails touch keypad
- 床尾板触摸键盘 • Foot panel touch keypad
- 配置蓄电池 • With UPS

#### Function 功能

- 高-低: 530mm-710mm • Height adjustable from 530 to 710mm
  - 背部角度0-65° [±5°] • Back-rest lifting angle is 0-65° [±5°]
  - 膝部角度0-43° [±5°] • Knee-rest lifting angle is 0-43° [±5°]
  - 前倾角度0-10° • Trendelenburg are 0-10°
  - 后倾角度0-10° • Rev. Trendelenburg are 0-10°
- 床体姿态均由电动操作实现, 配有指示灯, 以显示功能的执行状态  
all achieved by electrically controlled, with indicator light to show the work status.  
可以对床体各个姿态的数据进行储存, 并且可以调用已保存的床体  
Bed position data could be stored and data could be called  
姿态以便迅速达到要求的姿态  
Function of weight scale, weight data could be stored and managed Off-bed alarming
- 具有称重功能, 并且可以对主重量数据进行储存。同时医护人员可以  
设置允许重量变化的范围, 显示重量变化的曲线图  
超限后系统产生报警  
离床报警装置  
Alarm for patient leave the bed  
一键展平键, 可使床体在任何角度下快速回到初始状态  
"Reset" function, bed could back to "Zero" position quickly

#### Optional configuration 可选配

- 床垫: 餐桌 • Mattress, Mobile food table
- 高级台湾 TIMOTION [ 堤摩迅电机 ] • Taiwan Timotion safety voltage motor



### BS-863

多功能豪华电动护理床  
Multi-Function electric bed

### BS-868A

#### 七功能豪华电动护理床

Luxurious Electric Bed with Seven Functions



### 技术参数

Technical parameters  
Overall size 规格 2330x1050x530/710 mm

#### Standard Configuration 标准配置

- 丹麦电机系统, 引流挂钩, 输液杆 • Denmark LINAK medical motor system  
Urine hooks, I.V drip
- 直径150mm的方向中控轮 • 150mm dia castors
- PP护栏一套护栏触摸键盘 • Side rails touch keypad
- 床尾板触摸键盘 • Foot panel touch keypad

#### Function 功能

- 高-低: 530mm-710mm • Height adjustable from 530 to 710mm
- 背部角度0-65° [±5°] • Back-rest lifting angle is 0-65° [±5°]
- 膝部角度0-43° [±5°] • Knee-rest lifting angle is 0-43° [±5°]
- 前倾角度0-10° • Trendelenburg are 0-10°
- 后倾角度0-10° • Rev. Trendelenburg are 0-10°
- 一键展平 • "Reset" function, bed could back to Zero" position quickly
- 电动刹车及解锁系统 • Electric lock and unlock system

#### Optional configuration 可选配

- 床垫: 餐桌; 后备电源 • Mattress, Mobile food table, Back-up power system(UPS)
- 高级台湾 TIMOTION [ 堤摩迅电机 ] • Taiwan Timotion safety voltage motor

(86) 186-8880-7020

**BS-858**

**五功能豪华电动护理床**  
Five-Function electric bed



**BS-858A**

**五功能豪华电动护理床**  
Luxurious Electric Bed with five Functions



**技术参数**

Technical parameters

Overall size 规格 2120x1050x500/720 mm

**Standard Configuration 标准配置**

- |                           |   |
|---------------------------|---|
| 丹麦电机系统(电机四个,电控箱一个,控制手柄一个) | Denmark LINAK medical motor system(4pcs motors,1 pcs control box,1 pcs handset) |
| PP护栏一套                    | 4PCS PP Siderals  |
| 软连接床面板                    | Soft link   |
| 中控脚踏刹车系统                  | Central lock castors system   |
| 点滴架插孔每侧二个,引流挂钩每侧二个,输液杆一支  | Urine hooks,I.V drip  |

**Function 功能**

- |                  |  |
|------------------|--|
| 高-低: 500mm-720mm | Height adjustable from 500 to 720mm    |
| 背部角度0-80° [±5°]  | Back-rest lifting angle is 0-80° [±5°] |
| 膝部角度0-40° [±5°]  | Knee-rest lifting angle is 0-40° [±5°] |
| 前倾角度0-12°        | Trendelenburg are 0-12°                |
| 后倾角度0-12°        | Rev.Trendelenburg are 0-12°            |

**Optional configuration 可选配**

- |                         |  |
|-------------------------|--|
| 床垫; 餐桌; 后备电源            | Mattress, Mobile food table, Back-up power system(UPS) |
| 护士操作器 (ACP)             | Nurse control system(ACP)                              |
| 快速放倒功能 (CPR)            | Quick fold down system(CPR)                            |
| 高级台湾 TIMOTION [ 堤摩迅电机 ] | Taiwan Timotion safety voltage motor                   |

电动护理床系列

**技术参数**

Technical parameters

Overall size 规格 2160x1150x470/770 mm

**Standard Configuration 标准配置**

- |                            |   |
|----------------------------|---|
| 丹麦电机系统(电机四个,电控箱一个,控制手柄一个)  | Denmark LINAK medical motor system(4pcs motors,1 pcs control box,1 pcs handset) |
| PP护栏一套                     | Four big sideral with angle indicator   |
| 中控脚踏刹车系统                   | Central lock castors system   |
| 点滴架插孔每侧二个, 引流挂钩每侧二个, 输液杆一支 | Urine hooks,I.V drip  |

**Function 功能**

- |                  |  |
|------------------|--|
| 高-低: 470mm-770mm | Height adjustable from 470 to 770mm    |
| 背部角度0-80° [±5°]  | Back-rest lifting angle is 0-80° [±5°] |
| 膝部角度0-40° [±5°]  | Knee-rest lifting angle is 0-40° [±5°] |
| 前倾角度0-12°        | Trendelenburg are 0-12°                |
| 后倾角度0-12°        | Rev.Trendelenburg are 0-12°            |

**Optional configuration 可选配**

- |                         |  |
|-------------------------|--|
| 床垫; 餐桌; 后备电源            | Mattress, Mobile food table, Back-up power system(UPS) |
| 护士操作器 (ACP)             | Nurse control system(ACP)                              |
| 快速放倒功能 (CPR)            | Quick fold down system(CPR)                            |
| 高级台湾 TIMOTION [ 堤摩迅电机 ] | Taiwan Timotion safety voltage motor                   |

+ (86) 186-8880-7020

技术参数 Technical parameters

Overall size 规格 2120x1050x450/700 mm

标准配置

- 丹麦电机系统 (电机四个, 电控箱一个, 控制手柄一个)
- PP护栏一套
- 中控制脚刹车系统
- 点滴架插孔每侧二个, 引流挂钩每侧二个, 输液杆一支
- 软连接

功能

- 高-低: 450mm-700mm
- 背部角度0-80° [±5°]
- 膝部角度0-40° [±5°]
- 前倾角度0-12°
- 后倾角度0-12°

可选配

- 床垫; 餐桌; 后备电源
- 护士操作器 (ACP)
- 快速放倒功能 (CPR)
- 高级台湾TIMOTION(堤摩迅电机)



BS-858B

五功能豪华电动护理床

Luxurious Electric Bed with five Functions



Standard Configuration

- Denmark LINAK medical motor system(4pcs motors 1 pcs control box,1 pcs handset)
- PP Side rail
- Central lock castors system
- Urine hooks,I,V drip
- Soft link

Function

- Height adjustable from 450 to 700mm
- Back-rest lifting angle is 0-80° [±5°]
- Knee-rest lifting angle is 0-40° [±5°]
- Trendelenburg are 0-12°
- Rev.Trendelenburg are 0-12°

Optional configuration

- Mattress, Mobile food table, Back-up power system(UPS)
- Nurse control system(ACP)
- Quick fold down system(CPR)
- Taiwan Timotion safety voltage motor

BS-858C

五功能豪华电动护理床

Luxurious Electric Bed with Five functions



技术参数

Technical parameters

Overall size 规格 2120x1050x450/700 mm

Standard Configuration 标准配置

- 丹麦电机系统 (电机四个, 电控箱一个, 控制手柄一个)
- PP护栏一套
- 中控制脚刹车系统
- 点滴架插孔每侧二个, 引流挂钩每侧二个, 输液杆一支
- Denmark LINAK medical motor system(4pcs motors, 1 pcs control box, 1 pcs handset)
- PP Side rail
- Central lock castors system
- Urine hooks,I,V drip

Function 功能

- 高-低: 450mm-700mm
- 背部角度0-80° [±5°]
- 膝部角度0-40° [±5°]
- 前倾角度0-12°
- 后倾角度0-12°
- Height adjustable from 450 to 700mm
- Back-rest lifting angle is 0-80° [±5°]
- Knee-rest lifting angle is 0-40° [±5°]
- Trendelenburg are 0-12°
- Rev.Trendelenburg are 0-12°

Optional configuration 可选配

- 床垫; 餐桌; 后备电源
- 护士操作器 (ACP)
- 快速放倒功能 (CPR)
- 高级台湾 TIMOTION (堤摩迅电机)
- Mattress, Mobile food table, Back-up power system(UPS)
- Nurse control system(ACP)
- Quick fold down system(CPR)
- Taiwan Timotion safety voltage motor

+ (86) 186-8880-7020

**BS-858D**

**五功能豪华电动护理床**

Luxurious Electric Bed with Five function



**技术参数**

Technical parameters

Overall size 规格 2120x1050x450/700 mm

**Standard Configuration 标准配置**

- 丹麦电机系统(电机四个,电控箱一个,控制手柄一个) • Denmark LINAK medical motor system(4pcs motors,1 pcs control box,1 pcs handset)
- PP护栏一套 • PP side rail
- 中控脚踏刹车系统 • Central lock castors system
- 点滴架插孔每侧二个,引流挂钩每侧二个,输液杆一支 • Urine hooks,I.V drip
- 软连接 • Soft link

**Function 功能**

- 高-低: 450mm-700mm • Height adjustable from 450 to 700mm
- 背部角度0-80° [±5°] • Back-rest lifting angle is 0-80° [±5°]
- 膝部角度0-40° [±5°] • Knee-rest lifting angle is 0-40° [±5°]
- 前倾角度0-12° • Trendelenburg are 0-12°
- 后倾角度0-12° • Rev.Trendelenburg are 0-12°

**Optional configuration 可选配**

- 床垫;餐车;后备电源 • Mattress,Mobile food table,Back-up power system(UPS)
- 护士操作器 (ACP) • Nurse control system(ACP)
- 快速放倒功能 (CPR) • Quick fold down system(CPR)
- 高级台湾 TIMOTION [ 堤摩迅电机 ] • Taiwan Timotion safety voltage motor

电动护理床系列

**技术参数**

Technical parameters

Overall size 规格 2120x1050x450/700 mm

**Standard Configuration 标准配置**

- 丹麦电机系统(电机四个,电控箱一个,控制手柄一个) • Denmark LINAK medical motor system(4pcs motors,1 pcs control box,1 pcs handset)
- PP护栏一套 • PP side rail
- 中控脚踏刹车系统 • Central lock castors system
- 点滴架插孔每侧二个,引流挂钩每侧二个,输液杆一支 • Urine hooks,I.V drip

**Function 功能**

- 高-低: 450mm-700mm • Height adjustable from 450 to 700mm
- 背部角度0-80° [±5°] • Back-rest lifting angle is 0-80° [±5°]
- 膝部角度0-40° [±5°] • Knee-rest lifting angle is 0-40° [±5°]
- 前倾角度0-12° • Trendelenburg are 0-12°
- 后倾角度0-12° • Rev.Trendelenburg are 0-12°

**Optional configuration 可选配**

- 床垫;餐车;后备电源 • Mattress,Mobile food table,Back-up power system(UPS)
- 护士操作器 (ACP) • Nurse control system(ACP)
- 快速放倒功能 (CPR) • Quick fold down system(CPR)
- 高级台湾 TIMOTION [ 堤摩迅电机 ] • Taiwan Timotion safety voltage motor



**BS-858E**

**五功能豪华电动护理床**

Luxurious Electric Bed with Five function



+ (86) 186-8880-7020



BS-858P

五功能豪华电动护理床

Luxurious Electric Bed with Five function



技术参数

Technical parameters

Overall size 规格 2120x1050x500/700 mm

Standard Configuration 标准配置

- |                           |   |
|---------------------------|---|
| 丹麦电机系统(电机四个,电控箱一个,控制手柄一个) | • Denmark LINAK medical motor system(4pcs motors, 1 pcs control box, 1 pcs handset) |
| PP护栏一套                    | • PP side rail  |
| 中控脚踏刹车系统                  | • Central lock castors system   |
| 点滴架插孔每侧二个,引流挂钩每侧二个,输液杆一支  | • Urine hooks,I.V drip  |

Function 功能

- |                  |  |
|------------------|--|
| 高一低: 500mm-700mm | • Height adjustable from 500 to 700mm    |
| 背部角度0-80° [±5°]  | • Back-rest lifting angle is 0-80° [±5°] |
| 膝部角度0-40° [±5°]  | • Knee-rest lifting angle is 0-40° [±5°] |
| 前倾角度0-12°        | • Trendelenburg are 0-12°                |
| 后倾角度0-12°        | • Rev.Trendelenburg are 0-12°            |

Optional configuration 可选配

- |                       |  |
|-----------------------|--|
| 床垫: 餐桌; 后备电源          | • Mattress, Mobile food table, Back-up power system(UPS) |
| 护士操作器 (ACP)           | • Nurse control system(ACP)                              |
| 快速放倒功能 (CPR)          | • Quick fold down system(CPR)                            |
| 高级台湾 TIMOTION [堤摩迅电机] | • Taiwan Timotion safety voltage motor                   |

电动护理床系列



BS-858F

五功能豪华电动护理床

Luxurious Electric Bed with Five function



技术参数

Technical parameters

Overall size 规格 2120x1050x500/760 mm

Standard Configuration 标准配置

- |                           |   |
|---------------------------|---|
| 丹麦电机系统(电机四个,电控箱一个,控制手柄一个) | • Denmark LINAK medical motor system(4pcs motors, 1 pcs control box, 1 pcs handset) |
| PP护栏一套                    | • PP side rail  |
| 中控脚踏刹车系统                  | • Central lock castors system   |
| 点滴架插孔每侧二个,引流挂钩每侧二个,输液杆一支  | • Urine hooks,I.V drip  |

Function 功能

- |                  |  |
|------------------|--|
| 高一低: 500mm-760mm | • Height adjustable from 500 to 760mm    |
| 背部角度0-80° [±5°]  | • Back-rest lifting angle is 0-80° [±5°] |
| 膝部角度0-40° [±5°]  | • Knee-rest lifting angle is 0-40° [±5°] |
| 前倾角度0-12°        | • Trendelenburg are 0-12°                |
| 后倾角度0-12°        | • Rev.Trendelenburg are 0-12°            |

Optional configuration 可选配

- |                       |  |
|-----------------------|--|
| 床垫: 餐桌; 后备电源          | • Mattress, Mobile food table, Back-up power system(UPS) |
| 护士操作器 (ACP)           | • Nurse control system(ACP)                              |
| 快速放倒功能 (CPR)          | • Quick fold down system(CPR)                            |
| 高级台湾 TIMOTION [堤摩迅电机] | • Taiwan Timotion safety voltage motor                   |

+ (86) 186-8880-7020

技术参数 Technical parameters

Overall size 规格 2120x1050x450/700 mm

标准配置

- 丹麦电机系统(电机四个,电控箱一个,控制手柄一个)
- PP护栏一套
- 中控脚踏刹车系统
- 点滴架插孔每侧二个,引流挂钩每侧二个,输液杆一支

功能

- 高-低: 450mm-700mm
- 背部角度 0-80° (±5°)
- 前倾角度 0-12°
- 后倾角度 0-12°

可选配

- 床垫; 餐桌; 后备电源
- 护士操作器 (ACP)
- 快速收倒功能 (CPR)
- 高级台湾 TIMOTION [ 堤摩迅电机 ]

Standard Configuration

- Denmark LINAK medical motor system(4pcs motors, 1 pcs control box, 1 pcs handset)
- PP side rail
- Central lock castors system
- Urine hooks, I.V drip

Function

- Height adjustable from 450 to 700mm
- Back-rest lifting angle is 0-80° (±5°)
- Trendelenburg are 0-12°
- Rev.Trendelenburg are 0-12°

Optional configuration

- Mattress, Mobile food table, Back-up power system(UPS)
- Nurse control system(ACP)
- Quick fold down system(CPR)
- Taiwan Timotion safety voltage motor

BS-848

四功能豪华电动护理床

Four-Function electric bed



BS-836

三功能豪华电动护理床

Luxurious Electric Bed with three Functions



技术参数

Technical parameters

Overall size 规格 2120x970x450 / 700mm

Standard Configuration 标准配置

- 丹麦力能电机系统(电机三个,电控箱一个,控制手柄一个)
- 铝合金护栏
- 采用125mm高静音,单触式手柄操作
- 点滴架插孔每侧三个,引流挂钩每侧二个,输液杆一支
- Denmark LINAK medical motor system(3pcs motors, 1 pcs control box, 1 pcs handset)
- Aluminum siderail
- 125mm dia.Noiseless castors with brake
- Urine hooks, I.V Drip

Function 功能

- 高-低: 450mm-700mm
- 背部角度 0-80° (±5°)
- 膝部角度 0-40° (±5°)
- Height adjustable from 450 to 700mm
- Back-rest lifting angle is 0-80° (±5°)
- Knee-rest lifting angle is 0-40° (±5°)

Optional configuration 可选配

- 床垫; 餐桌; 后备电源
- 护士操作器 (ACP)
- 快速收倒功能 (CPR)
- 台湾堤摩讯安全电压电机
- Mattress, Mobile food table, Back-up power system(UPS)
- Nurse control system(ACP)
- Quick fold down system(CPR)
- Taiwan Timotion safety voltage motor

+(86) 186-8880-7020



技术参数

Technical parameters

Overall size 规格 2120x1050x450/700 mm

Standard Configuration 标准配置

- |                                 |   |
|---------------------------------|---|
| 丹麦力纳克电机系统 (电机三个, 电控箱一个, 控制手柄一个) | • Denmark LINAK medical motor system(3pcs motors, 1 pcs control box, 1 pcs handset) |
| PP护栏一套                          | • PP siderail   |
| 中控脚踏刹车系统                        | • Central lock castors system   |
| 点滴架插孔每侧两个, 引流挂钩每侧二个, 输液杆一支      | • Urine hooks, I.V drip   |
| 软连接                             | • Soft Link   |

Function 功能 Optional configuration 可选配

- |  |   |
|--|---|
| Height adjustable from 450 to 700mm 高-低: 450mm-700mm   | • 床垫; 餐桌; 后备电源 Mattress, Mobile food table, Back-up power system(UPS) |
| Back-rest lifting angle is 0-80° [±5°] 背部角度0-80° [±5°] | • 护士操作器 (ACP) Nurse control system(ACP)                               |
| Knee-rest lifting angle is 0-40° [±5°] 膝部角度0-40° [±5°] | • 快速放倒功能 (CPR) Quick fold down system(CPR)                            |
|  | • 高级台湾 TIMOTION [ 堪摩迅电机 ] Taiwan Timotion motors                      |



BS-836A

三功能豪华电动护理床

Luxurious Electric Bed with three Functions



电动护理床系列

BS-836B

三功能豪华电动护理床

Luxurious Electric Bed with three Functions



技术参数

Technical parameters

Overall size 规格 2120x1050x450/700 mm

Standard Configuration 标准配置

- |                                 |   |
|---------------------------------|---|
| 丹麦力纳克电机系统 (电机三个, 电控箱一个, 控制手柄一个) | • Denmark LINAK medical motor system(3pcs motors, 1 pcs control box, 1 pcs handset) |
| PP护栏一套                          | • PP Side rail  |
| 中控脚踏刹车系统                        | • Central-controlled castor brake system  |
| 点滴架插孔每侧两个, 引流挂钩每侧二个, 输液杆一支      | • Urine hooks, I.V drip   |

Function 功能

- |                  |  |
|------------------|--|
| 高-低: 450mm-700mm | • Height adjustable from 450 to 700mm    |
| 背部角度0-80° [±5°]  | • Back-rest lifting angle is 0-80° [±5°] |
| 膝部角度0-40° [±5°]  | • Knee-rest lifting angle is 0-40° [±5°] |

Optional configuration 可选配

- |              |  |
|--------------|--|
| 床垫; 餐桌; 后备电源 | • Mattress, Mobile food table, Back-up power system(UPS) |
| 护士操作器 (ACP)  | • Nurse control system(ACP)                              |
| 快速放倒功能 (CPR) | • Quick fold down system(CPR)                            |
| 台湾堪摩讯安全电压电机  | • Taiwan Timotion safety voltage motor                   |

ELECTRIC MEDICAL BED SERIES

+(86) 186-8880-7020

**BS-836C**

**三功能豪华电动护理床**

Luxurious Electric Bed with three Functions



**技术参数**

Technical parameters

Overall size 规格 2120x1050x500/700 mm

**Standard Configuration 标准配置**

- 丹麦力纳克电机系统 (电机三个, 电控箱一个, 控制手柄一个) • Denmark LINAK medical motor system (3 pcs motors, 1 pcs control box, 1 pcs handset)
- PP护栏一套 • PP Side rail
- 中控刹车控制系统 • Central-controlled castor brake system
- 点滴架插孔每侧两个, 引流挂钩每侧二个, 输液杆一支 • Urine hooks, I.V drip

**Function 功能**

- 高一低: 500mm~700mm • Height adjustable from 500 to 700mm
- 背部角度0~80° [±5°] • Back-rest lifting angle is 0~80° [±5°]
- 膝部角度0~40° [±5°] • Knee-rest lifting angle is 0~40° [±5°]

**Optional configuration 可选配**

- 床垫; 餐桌; 后备电源 • Mattress, Mobile food table, Back-up power system (UPS)
- 护士操作器 (ACP) • Nurse control system (ACP)
- 快速放倒功能 (CPR) • Quick fold down system (CPR)
- 台湾堤摩讯安全电压电机 • Taiwan Timotion motors

电动护理床系列

**BS-836M**

**三功能豪华电动超低护理床**

Luxurious Ultra Low Electric Bed with three Functions



**技术参数**

Technical parameters

Overall size 规格 2120x970x180 / 600mm

**Standard Configuration 标准配置**

- 丹麦力纳克电机系统 (电机三个, 电控箱一个, 控制手柄一个) • Denmark LINAK medical motor system (3 pcs motors, 1 pcs control box, 1 pcs handset)
- 铝合金护栏一对 • Aluminum siderail
- 采用125mm高静音, 单触式手柄操作 • 125mm dia. Noiseless castors with brake
- 点滴架插孔每侧两个, 引流挂钩每侧二个, 输液杆一支, 猴子拉杆 • Urine hooks, I.V drip, Monkey pole

**Function 功能**

- 高一低: 180mm~600mm • Height adjustable from 180 to 600mm
- 背部角度0~80° [±5°] • Back-rest lifting angle is 0~80° [±5°]
- 膝部角度0~40° [±5°] • Knee-rest lifting angle is 0~40° [±5°]

**Optional configuration 可选配**

- 床垫; 餐桌; 后备电源 • Mattress, Mobile food table, Back-up power system (UPS)
- 护士操作器 (ACP) • Nurse control system (ACP)
- 快速放倒功能 (CPR) • Quick fold down system (CPR)
- 高级台湾 TIMOTION | 堤摩讯电机 • Taiwan Timotion safety voltage motor

ELECTRIC MEDICAL BED SERIES

+ (86) 186-8880-7020

**技术参数** Technical parameters  
Overall size 规格 2120x970x450 / 700mm

**标准配置**

- 丹麦LINAK电机系统 (电机三个, 电控箱一个, 控制手柄一个)
- 铝合金护栏一对
- 采用125mm高静音, 单触式手柄操作
- 可放饭餐桌
- 点滴架插孔每侧两个, 引流挂钩每侧二个, 输液杆一支

**功能**

- 高一低, 450mm-700mm
- 背部角度 0-80° (±5°)
- 膝部角度 0-40° (±5°)

**可选配**

- 床垫; 餐桌; 后备电源
- 护士操作器 (ACP)
- 快速放倒功能 (CPR)
- 台湾Timotion提摩讯电机

**BS-836T**

**三功能豪华电动护理床**

Luxurious Electric Bed with three Functions



**Standard Configuration**

- Denmark LINAK medical motor system(3 pcs motors, 1 pcs control box, 1 pcs handset)
- Aluminum siderail
- 125mm dia.Noiseless castors with brake
- Folding food table
- Urine hooks,I.V drip

**Function**

- Height adjustable from 450 to 700mm
- Back-rest lifting angle is 0-80° (±5°)
- Knee-rest lifting angle is 0-40° (±5°)

**Optional configuration**

- Mattress,Mobile food table,Back-up power system(UPS)
- Nurse control system(ACP)
- Quick fold down system(CPR)
- Taiwan Timotion safety voltage motor

电动护理床系列

**BS-836X**

**三功能豪华电动护理床**

Luxurious Electric Bed with three Functions



**技术参数**

Technical parameters

Overall size 规格 2120x970x300/700 mm

**Standard Configuration** 标准配置

- 丹麦LINAK电机系统 (电机三个, 电控箱一个, 控制手柄一个)
- 钢喷涂护栏一对
- 中控制脚踏刹车系统
- 点滴架插孔每侧两个, 引流挂钩每侧二个, 输液杆一支
- Denmark LINAK medical motor system(3 pcs motors, 1 pcs control box, 1 pcs handset)
- Steel with powder coated side rail
- Central-controlled castor brake system
- Urine hooks,I.V drip

**Function** 功能

- 高一低: 300mm-700mm
- 背部角度0-80° [±5°]
- 膝部角度0-40° [±5°]
- Height adjustable from 300 to 700mm
- Back-rest lifting angle is 0-80° [±5°]
- Knee-rest lifting angle is 0-40° [±5°]

**Optional configuration** 可选配

- 床垫; 餐桌; 后备电源
- 护士操作器 (ACP)
- 快速放倒功能 (CPR)
- 台湾提摩讯安全电压电机
- Mattress,Mobile food table,Back-up power system(UPS)
- Nurse control system(ACP)
- Quick fold down system(CPR)
- Taiwan Timotion safety voltage motor

ELECTRIC MEDICAL BED SERIES

(86) 186-8880-7020

### 技术参数

Technical parameters

Overall size 规格 2120x970x450 / 700mm

#### Standard Configuration 标准配置

- 丹麦LINAK电机系统(电机三个,电控箱一个、控制手柄一个)
- Denmark LINAK medical motor system(3 pcs motors,1 pcs control box,1 pcs handset)
  - 不锈钢护栏一对
  - Stainless steel side rail
  - 中控脚踏刹车系统
  - Central-controlled castor brake system
  - 一个把手把以供手动功能使用
  - One handle for manual function
  - 点滴架插孔每侧两个,引流挂钩每侧二个,输液杆一支
  - Urine hooks,I.V drip

#### Function 功能

- 高-低: 450mm-700mm
- Height adjustable from 450 to 700mm
- 背部角度0-65° [±5°]
- Back-rest lifting angle is 0-65° [±5°]
- 膝部角度0-43° [±5°]
- Knee-rest lifting angle is 0-43° [±5°]

#### Optional configuration 可选配

- 床垫: 餐桌; 后备电源
- Mattress, Mobile food table, Back-up power system(UPS)
- 护士操作器 (ACP)
- Nurse control system(ACP)
- 快速放倒功能 (CPR)
- Quick fold down system(CPR)
- 高级台湾 TIMOTION [ 超摩迅电机 ]
- Taiwan Timotion safety voltage motor



BS-835

### 三功能豪华电动加手摇护理床

Luxurious Electric and Manual Bed with three Functions



3 Motors

电动护理床系列

BS-835A

### 三功能豪华电动加手摇护理床

Luxurious Electric and Manual Bed with three Functions



3 Motors



### 技术参数

Technical parameters

Overall size 规格 2120x1050x450/700 mm

#### Standard Configuration 标准配置

- 丹麦LINAK电机系统(电机三个,电控箱一个、控制手柄一个)
- Denmark LINAK medical motor system(3 pcs motors,1 pcs control box,1 pcs handset)
  - PP护栏一对
  - PP side rail
  - 软连接
  - Soft link
  - 中控脚踏刹车系统
  - Central-controlled castor brake system
  - 一个把手把以供手动功能使用
  - One handle for manual function
  - 点滴架插孔每侧两个,引流挂钩每侧二个,输液杆一支
  - Urine hooks,I.V drip

#### Function 功能

- 高-低: 450mm-700mm
- Height adjustable from 450 to 700mm
- 背部角度0-80° [±5°]
- Back-rest lifting angle is 0-80° [±5°]
- 膝部角度0-40° [±5°]
- Knee-rest lifting angle is 0-40° [±5°]

#### Optional configuration 可选配

- 床垫: 餐桌; 后备电源
- Mattress, Mobile food table, Back-up power system(UPS)
- 护士操作器 (ACP)
- Nurse control system(ACP)
- 快速放倒功能 (CPR)
- Quick fold down system(CPR)
- 台湾超摩迅安全电压电机
- Taiwan Timotion safety voltage motor

+(86) 186-8880-7020

**BS-835B**

**三功能豪华电动加手摇护理床**

Luxurious Electric and Manual Bed with three Functions



**技术参数**

Technical parameters

Overall size 规格 2120x970x450/700 mm

**Standard Configuration 标准配置**

- 丹麦LINAK电机系统 (电机三个, 电控箱一个, 控制手柄一个) • Denmark LINAK medical motor system (3 pcs motors, 1 pcs control box, 1 pcs handset)
- 钢喷涂护栏一对 • Steel with powder coated side rail
- 中控脚踏刹车系统 • Central-controlled castor brake system
- 一个摇手把以供手动功能使用 • One handle for manual function
- 点滴架插孔每侧两个, 引流挂钩每侧二个, 输液杆一支 • Urine hooks, I.V drip

**Function 功能**

- 高一低: 450mm-700mm • Height adjustable from 450 to 700mm
- 背部角度0-80° [±5°] • Back-rest lifting angle is 0-80° [±5°]
- 膝部角度0-40° [±5°] • Knee-rest lifting angle is 0-40° [±5°]

**Optional configuration 可选配**

- 床垫; 餐桌; 后备电源 • Mattress, Mobile food table, Back-up power system(UPS)
- 护士操作器 (ACP) • Nurse control system(ACP)
- 快速放倒功能 (CPR) • Quick fold down system(CPR)
- 台湾禧摩讯安全电压电机 • Taiwan Timotion motors

**BS-835C**

**三功能豪华电动加手摇护理床**

Luxurious Electric and Manual Bed with three Functions



**技术参数**

Technical parameters

Overall size 规格 2120x1050x450/700 mm

**Standard Configuration 标准配置**

- 丹麦LINAK电机系统 (电机三个, 电控箱一个, 控制手柄一个) • Denmark LINAK medical motor system (3 pcs motors, 1 pcs control box, 1 pcs handset)
- PP护栏一套 • PP Siderail
- 中控脚踏刹车系统 • Central-controlled castor brake system
- 点滴架插孔每侧两个, 引流挂钩每侧二个, 输液杆一支 • Urine hooks, I.V drip
- 一个摇手把以供手动功能使用 • One handle for manual function
- 可放倒餐桌 • Folding food table

**Function 功能**

- 高一低: 450mm-700mm • Height adjustable from 450 to 700mm
- 背部角度0-80° [±5°] • Back-rest lifting angle is 0-80° [±5°]
- 膝部角度0-40° [±5°] • Knee-rest lifting angle is 0-40° [±5°]

**Optional configuration 可选配**

- 床垫; 餐桌; 后备电源 • Mattress, Mobile food table, Back-up power system(UPS)
- 护士操作器 (ACP) • Nurse control system(ACP)
- 快速放倒功能 (CPR) • Quick fold down system(CPR)
- 高级台湾 TIMOTION [禧摩讯电机] • Taiwan Timotion safety voltage motor

+ (86) 186-8880-7020

**BS-835D**

**三功能豪华电动加手摇护理床**

Luxurious Electric and Manual Bed with three Functions

**技术参数 Technical parameters**

Overall size 规格 2120x1050x450/700 mm



**标准配置**

- 丹麦LINAK电机系统(电机三个,电控箱一个、控制手柄一个)
- PP护栏一套
- 中控脚踏刹车系统
- 一个摇手把以供手动功能使用
- 点滴架插孔每侧两个,引流挂钩每侧二个,输液杆一支

**功能**

- 高-低: 450mm-700mm
- 背部角度0-80° [±5°]
- 膝部角度0-40° [±5°]

**可选配**

- 床垫; 餐桌; 后备电源
- 护士操作器 (ACP)
- 快速放倒功能 (CPR)
- 台湾Timotion捷摩讯电机

**Standard Configuration**

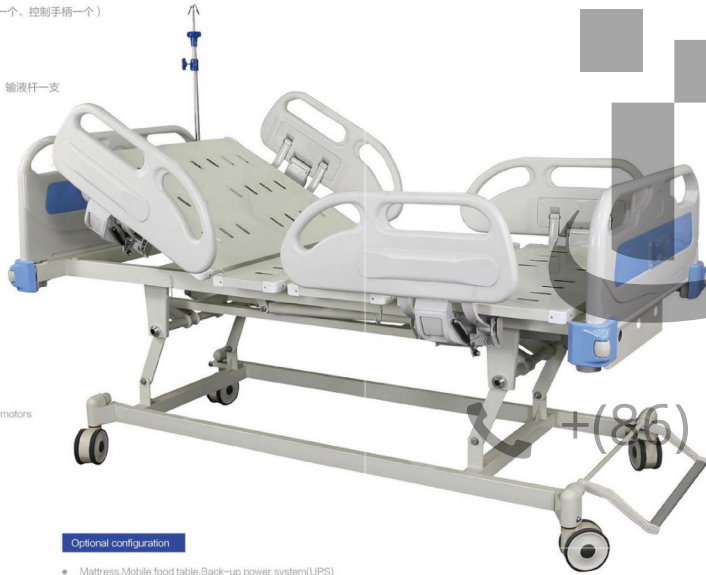
- Denmark LINAK medical motor system(3 pcs motors, 1 pcs control box, 1 pcs handset)
- PP Siderail
- Central-controlled castor brake system
- One handle for manual function
- Urine hooks, I.V drip

**Function**

- Height adjustable from 450 to 700mm
- Back-rest lifting angle is 0-80° [±5°]
- Knee-rest lifting angle is 0-40° [±5°]

**Optional configuration**

- Mattress, Mobile food table, Back-up power system(UPS)
- Nurse control system(ACP)
- Quick fold down system(CPR)
- Taiwan Timotion safety voltage motor



电动护理床系列

**BS-827**

**两功能豪华电动加手摇护理床**

Luxurious Electric and Manual Bed with two Functions



**技术参数**

Technical parameters

Overall size 规格 2120x970x500 mm

**Standard Configuration 标准配置**

- 丹麦LINAK电机系统(电机二个,电控箱一个、控制手柄一个)
- PP护栏一套
- 采用125mm高静音,单触式手柄操作
- 一个摇手把以供手动功能使用
- 点滴架插孔每侧两个,引流挂钩每侧二个,输液杆一支
- 可放倒餐桌
- Denmark LINAK medical motor system(2pcs motors, 1 pcs control box, 1 pcs handset)
- PP Siderail
- 125mm dia.Noiseless castors with brake
- One handle for manual function
- Urine hooks, I.V drip
- Folding food table

**Function 功能**

- 背部角度0-80° [±5°]
- 膝部角度0-40° [±5°]
- Back-rest lifting angle is 0-80° [±5°]
- Knee-rest lifting angle is 0-40° [±5°]

**Optional configuration 可选配**

- 床垫; 餐桌; 后备电源
- 护士操作器 (ACP)
- 快速放倒功能 (CPR)
- 台湾捷摩讯安全电压电机
- Mattress, Mobile food table, Back-up power system(UPS)
- Nurse control system(ACP)
- Quick fold down system(CPR)
- Taiwan Timotion safety voltage motor

ELECTRIC MEDICAL BED SERIES

+ (86) 186-8880-7020

BS-821

二功能豪华电动护理床

Luxurious Electric Bed with Two Functions



技术参数

Technical parameters

Overall size 规格 2120x970x500 mm

Standard Configuration 标准配置

- 丹麦力纳电机系统(电机二个,电控箱一个,控制手柄一个) • Denmark LINAK medical motor system(2 pcs motors,1 pcs control box,1 pcs handset)
- 铝合金护栏一对 • Aluminium folding sidrails
- 采用125mm高静音,单触式手柄操作 • 125mm dia.Noiseless castors with brake
- 点滴架插孔每侧两个,引流挂钩每侧二个,输液杆一支 • Urine hooks,I.V drip

Function 功能

- 背部角度0-80° [±5°] • Back-rest lifting angle is 0-80° [±5°]
- 膝部角度0-40° [±5°] • Knee-rest lifting angle is 0-40° [±5°]

Optional configuration 可选配

- 床垫;餐桌;后备电源 • Mattress,Mobile food table,Back-up power system(UPS)
- 护士操作器 (ACP) • Nurse control system(ACP)
- 快速放倒功能 (CPR) • Quick fold down system(CPR)
- 台湾堪摩讯安全电压电机 • Taiwan Timotion safety voltage motor

电动护理床系列

技术参数

Technical parameters

Overall size 规格 2120x970x500 mm

Standard Configuration 标准配置

- 丹麦力纳电机系统(电机一个,电控箱一个,控制手柄一个) • Denmark LINAK medical motor system(1 pcs motors,1 pcs control box,1 pcs handset)
- 铝合金护栏一对 • Aluminium folding sidrails
- 采用125mm高静音,单触式手柄操作 • 125mm dia.Noiseless castors with brake
- 点滴架插孔每侧两个,引流挂钩每侧二个,输液杆一支 • Urine hooks,I.V drip

Function 功能

- 背部角度0-65° [±5°] • Back-rest lifting angle is 0-65° [±5°]

Optional configuration 可选配

- 床垫;餐桌;后备电源 • Mattress,Mobile food table,Back-up power system(UPS)
- 护士操作器 (ACP) • Nurse control system(ACP)
- 快速放倒功能 (CPR) • Quick fold down system(CPR)
- 高级台湾 TIMOTION [堪摩讯电机] • Taiwan Timotion safety voltage motor



BS-810

一功能豪华电动护理床

Luxurious Electric Bed with One Function



+ (86) 186-8880-7020

BS-837

四摇护理床

Hospital Bed with Four Revolving Levers



技术参数

Technical parameters

Overall size 规格 2120x970x450/700 mm

Standard Configuration 标准配置

- 手动摇杆弹簧拉力系统 • Manual crank spring tensioning system
- 铝合金护栏一对 • Aluminium folding siderails
- 四轮采用125mm全制动脚轮 • 125mm dia.Noiseless castors with brake
- 点滴架插孔每侧两个，引流挂钩每侧二个，输液杆一支 • Urine hooks,L.V drip

Function 功能

- 高一低: 450mm-700mm • Height adjustable from 450 to 700mm
- 背部角度0-80° [±5°] • Back-rest lifting angle is 0-80° [±5°]
- 膝部角度0-40° [±5°] • Knee-rest lifting angle is 0-40° [±5°]
- 前倾角度0-12° • Trendelenburg are 0-12°
- 后倾角度0-12° • Rev.Trendelenburg are 0-12°

Optional configuration 可选配

- 床垫: 餐桌 • Mattress, Mobile food table

手动护理床系列

BS-837A

四摇护理床

Hospital Bed with Four Revolving Levers



技术参数

Technical parameters

Overall size 规格 2120x1050x500/700 mm

Standard Configuration 标准配置

- 手动摇杆弹簧拉力系统 • Manual crank spring tensioning system
- PP护栏一套 • PP Siderail
- 中控脚轮刹车系统 • Central-controlled castor brake
- 点滴架插孔每侧两个，引流挂钩每侧二个，输液杆一支 • Urine hooks,L.V drip

Function 功能

- 高一低: 500mm-700mm • Height adjustable from 500 to 700mm
- 背部角度0-80° [±5°] • Back-rest lifting angle is 0-80° [±5°]
- 膝部角度0-40° [±5°] • Knee-rest lifting angle is 0-40° [±5°]
- 前倾角度0-12° • Trendelenburg are 0-12°
- 后倾角度0-12° • Rev.Trendelenburg are 0-12°

Optional configuration 可选配

- 床垫: 餐桌 • Mattress, Mobile food table

MANUAL MEDICAL BED SERIES

+ (86) 186-8880-7020



技术参数 Technical parameters

Overall size 规格 2120x1050x450/700 mm

标准配置

- 手动摇杆弹簧拉力系统
- PP护栏一对
- 中控脚踏刹车系统
- 点滴架插孔每侧两个，引流挂钩每侧二个，输液杆一支

功能

- 高一低: 450mm-700mm
- 背部角度0-80° [±5°]
- 膝部角度0-40° [±5°]

可选配

- 床垫; 餐桌



手动护理床系列

BS-838

三摇护理床

Hospital Bed with Three Revolving Levers



Standard Configuration

- Manual crank spring tensioning system
- PP side rails
- Central-controlled castor break system
- Urine hooks, I.V drip

Function

- Height adjustable from 450 to 700mm
- Back-rest lifting angle is 0-80° [±5°]
- Knee-rest lifting angle is 0-40° [±5°]

- Mattress, Mobile food table

+ (86) 186-8880-7020

BS-839

三摇护理床

Hospital Bed with Three Revolving Levers



技术参数

Technical parameters

Overall size 规格 2120x970x450 / 700mm

Standard Configuration 标准配置

- 手动摇杆弹簧拉力系统
- 铝合金护栏一对
- 四轮采用125mm全制动脚轮
- 点滴架插孔每侧两个，引流挂钩每侧二个，输液杆一支
- Manual crank spring tensioning system
- Aluminium folding side rails
- 125mm dia. Noiseless castors with brake
- Urine hooks, I.V drip

Function 功能

- 高一低: 450mm-700mm
- 背部角度0-80° [±5°]
- 膝部角度0-40° [±5°]
- Height adjustable from 450 to 700mm
- Back-rest lifting angle is 0-80° [±5°]
- Knee-rest lifting angle is 0-40° [±5°]

Optional configuration 可选配

- 床垫; 餐桌
- Mattress, Mobile food table

### 技术参数

Technical parameters

Overall size 规格 2120x970x450 / 700mm

#### Standard Configuration 标准配置

- 手动摇杆弹簧拉力系统 • Manual crank spring tensioning system
- 铝合金护栏一对 • Aluminium folding sidrails
- 中控脚轮刹车系统 • Central-controlled castor break system
- 点滴架插孔每侧两个，引流挂钩每侧二个，输液杆一支 • Urine hooks, I.V drip

#### Function 功能

- 高一低: 450mm-700mm • Height adjustable from 450 to 700mm
- 背部角度0-80° [±5°] • Back-rest lifting angle is 0-80° [±5°]
- 膝部角度0-40° [±5°] • Knee-rest lifting angle is 0-40° [±5°]

#### Optional configuration 可选配

- 床垫; 餐桌 • Mattress, Mobile food table



BS-839A

三摇护理床

Hospital Bed with Three Revolving Levers



BS-839S

三摇护理床

Stainless steel Hospital Bed with Three Revolving Levers



### 技术参数

Technical parameters

Overall size 规格 2000x900x450 / 700mm

#### Standard Configuration 标准配置

- 手动摇杆弹簧拉力系统 • Manual crank spring tensioning system
- 不锈钢护栏一对 • Stainless steel side rails
- 四轮采用125mm全制动脚轮 • 125mm dia.Noiseless castors with brake
- 点滴架插孔每侧两个，引流挂钩每侧二个，输液杆一支 • Urine hooks, I.V drip

#### Function 功能

- 高一低 450 to 700mm • Height adjustable from 450 to 700mm
- 背部角度0-80° [±5°] • Back-rest lifting angle is 0-80° [±5°]
- 膝部角度0-40° [±5°] • Knee-rest lifting angle is 0-40° [±5°]

#### Optional configuration 可选配

- 床垫; 餐桌; 后备电源 • Mattress, Mobile food table

+(86) 186-8880-7020



BS-828A

二摇护理床

Hospital Bed with Two Revolving Levers



2 Cranks

BS-828B

二摇护理床

Hospital Bed with Two Revolving Levers



2 Cranks



+ (86) 186-8880-7020

技术参数

Technical parameters

Overall size 规格 2120x970x500 mm

技术参数

Technical parameters

Overall size 规格 2120x970x500 mm

Standard Configuration 标准配置

- 手动摇杆弹簧拉力系统 • Manual crank spring tensioning system
- 铝合金护栏一对 • Aluminium folding sidrails
- 四轮采用125mm全刹脚轮 • 125mm dia.Noiseless castors with brake
- 点滴架插孔每侧两个，引流挂钩每侧二个，输液杆一支 • Urine hooks,I,V drip

Function 功能

- 背部角度0-80° [±5°] • Back-rest lifting angle is 0-80° [±5°]
- 膝部角度0-40° [±5°] • Knee-rest lifting angle is 0-40° [±5°]

Optional configuration 可选配

床垫; 餐桌 • Mattress, Mobile food table

Standard Configuration 标准配置

- 手动摇杆弹簧拉力系统 • Manual crank spring tensioning system
- 铝合金护栏一对 • Aluminium folding sidrails
- 中控脚轮刹车系统 • Central-controlled castor break system
- 点滴架插孔每侧两个，引流挂钩每侧二个，输液杆一支 • Urine hooks,I,V drip

Function 功能

- 背部角度0-80° [±5°] • Back-rest lifting angle is 0-80° [±5°]
- 膝部角度0-40° [±5°] • Knee-rest lifting angle is 0-40° [±5°]

Optional configuration 可选配

床垫; 餐桌 • Mattress, Mobile food table

技术参数 Technical parameters

Overall size 规格 2100x970x500 mm

标准配置

- 铝合金护栏一对
- 手动摇杆弹簧拉力系统
- 四轮采用125mm全制动脚轮
- 点滴架插孔每侧两个，引流挂钩每侧二个，输液杆一支
- 床头尾板套
- 餐桌

功能

- 背部角度0-80° [± 5°]
- 膝部角度0-40° [± 5°]

可选配

- 床垫; 餐桌

Standard Configuration

- Aluminium folding sidrails
- Manual crank spring tensioning system
- 125mm dia.Noiseless castors with brake
- Urine hooks,I.V drip
- Head and foot board cover
- Food table

Function

- Back-rest lifting angle is 0-80° [± 5°]
- Knee-rest lifting angle is 0-40° [± 5°]

Optional configuration

- Mattress,Mobile food table

BS-828C

二摇护理床

Hospital Bed with Two Revolving Levers



BS-828D

二摇护理床

Hospital Bed with Two Revolving Levers



技术参数

Technical parameters

Overall size 规格 2120x1050x500 mm

Standard Configuration 标准配置

- 手动摇杆弹簧拉力系统 • Manual crank spring tensioning system
- PP护栏一套 • PP Siderail
- 中控脚轮刹车系统 • Central-controlled castor brake system
- 点滴架插孔每侧两个，引流挂钩每侧二个，输液杆一支 • Urine hooks,I.V drip

Function 功能

- 背部角度0-80° [± 5°] • Back-rest lifting angle is 0-80° [± 5°]
- 膝部角度0-40° [± 5°] • Knee-rest lifting angle is 0-40° [± 5°]

Optional configuration 可选配

- 床垫; 餐桌 • Mattress,Mobile food table

+ (86) 186-8880-7020

BS-828E

二摇护理床

Hospital Bed with Two Revolving Levers



技术参数

Technical parameters

Overall size 规格 2120x970x500 mm

Standard Configuration 标准配置

- 手动摇杆弹簧拉力系统 • Manual crank spring tensioning system
- 钢喷涂护栏 • Powder coated steel side rails
- 中控脚踏刹车系统 • Central-controlled castor brake system
- 点滴架插孔每侧两个, 引流挂钩每侧二个, 输液杆一支 • Urine hooks, I.V drip

Function 功能

- 背部角度0-80° [±5°] • Back-rest lifting angle is 0-80° [±5°]
- 膝部角度0-40° [±5°] • Knee-rest lifting angle is 0-40° [±5°]

Optional configuration 可选配

- 床垫; 餐桌 • Mattress, Mobile food table



手动护理床系列

BS-828F

二摇护理床

Hospital Bed with Two Revolving Levers



技术参数

Technical parameters

Overall size 规格 2120x970x500 mm

Standard Configuration 标准配置

- 手动摇杆弹簧拉力系统 • Manual crank spring tension system
- 铝合金护栏一对 • Aluminium folding side rails
- 四轮采用125mm全制动脚轮 • 125mm dia.Noiseless castors with brake
- 点滴架插孔每侧两个, 引流挂钩每侧二个, 输液杆一支 • Urine hooks, I.V drip

Function 功能

- 背部角度0-80° [±5°] • Back-rest lifting angle is 0-80° [±5°]
- 膝部角度0-40° [±5°] • Knee-rest lifting angle is 0-40° [±5°]

Optional configuration 可选配

- 床垫; 餐桌 • Mattress, Mobile food table



MANUAL MEDICAL BED SERIES

+(86) 186-8880-7020

BS-828G

二摇护理床

Hospital Bed with Two Revolving Levers



技术参数

Technical parameters

Overall size 规格 2120x970x500 mm

Standard Configuration 标准配置

- 手动摇杆弹簧拉力系统 • Manual crank spring tensioning system
- 铝合金护栏一对 • Aluminium folding sidrails
- 四轮采用125mm全制动脚轮 • 125mm dia.Noiseless castors with brake
- 点滴架插孔每侧两个，引流挂钩每侧二个，输液杆一支 • Urine hooks,I.V drip

Function 功能

- 背部角度0-80° [±5°] • Back-rest lifting angle is 0-80° [±5°]
- 膝部角度0-40° [±5°] • Knee-rest lifting angle is 0-40° [±5°]

Optional configuration 可选配

- 床垫; 餐桌 • Mattress, Mobile food table

手动护理床系列

+ (86) 186-8880-7020

技术参数

Technical parameters

Overall size 规格 2120x970x500 mm

BS-828H

二摇护理床

Hospital Bed with Two Revolving Levers



Standard Configuration 标准配置

- 手动摇杆弹簧拉力系统 • Manual crank spring tensioning system
- 铝合金护栏一对 • Aluminium folding sidrails
- 四轮采用125mm全制动脚轮 • 125mm dia.Noiseless castors with brake
- 点滴架插孔每侧两个，引流挂钩每侧二个，输液杆一支 • Urine hooks,I.V drip

Function 功能

- 背部角度0-80° [±5°] • Back-rest lifting angle is 0-80° [±5°]
- 膝部角度0-40° [±5°] • Knee-rest lifting angle is 0-40° [±5°]

Optional configuration 可选配

- 床垫; 餐桌 • Mattress, Mobile food table

MANUAL MEDICAL BED SERIES

技术参数 Technical parameters

Overall size 规格 2120x800/1050x500 mm

标准配置

- 手动摇杆弹簧拉力系统
- 铝合金护栏一对
- 点滴架插孔每侧两个，引流挂钩每侧二个，输液杆一支
- 四轮采用125mm全制动脚轮

功能

- 背部角度0-80° [±5°]
- 膝部角度0-40° [±5°]

可选配

- 床垫; 餐桌



BS-828I

二摇护理床

Hospital Bed with Two Revolving Levers



Standard Configuration

- Manual crank spring tensioning system
- Aluminium folding side rails
- Urine hooks,I.V drip
- 125mm dia.Noiseless castors with brake

Function

- Back-rest lifting angle is 0-80° [±5°]
- Knee-rest lifting angle is 0-40° [±5°]

Optional configuration

- Mattress,Mobile food table

手动护理床系列

BS-828D

二摇护理床

Hospital Bed with Two Revolving Levers



技术参数

Technical parameters

Overall size 规格 2000x900x500 mm

Standard Configuration 标准配置

- 手动摇杆弹簧拉力系统 • Manual crank spring tensioning system
- 不锈钢护栏一对 • Stainless steel side rail
- 点滴架插孔每侧两个，引流挂钩每侧二个，输液杆一支 • Urine hooks,I.V drip
- 蚊帐架，一对 • Mosquito net frame

Function 功能

- 背部角度0-80° [±5°] • Back-rest lifting angle is 0-80° [±5°]
- 膝部角度0-40° [±5°] • Knee-rest lifting angle is 0-40° [±5°]

Optional configuration 可选配

- 床垫; 餐桌 • Mattress,Mobile food table

+(86) 186-8880-7020

MANUAL MEDICAL BED SERIES

### 技术参数

Technical parameters

Overall size 规格 2000x900x500 mm

#### Standard Configuration 标准配置

- 手动摇杆弹簧拉力系统 • Manual crank spring tensioning system
- 不锈钢护栏一对 • Stainless steel side rail
- 四轮采用125mm全制动脚轮 • 125mm dia.Noiseless castors with brake
- 点滴架插孔每侧两个，引流挂钩每侧二个，输液杆一支 • Urine hooks,J.V drip

#### Function 功能

- 背部角度0-80° [±5°] • Back-rest lifting angle is 0-80° [±5°]
- 膝部角度0-40° [±5°] • Knee-rest lifting angle is 0-40° [±5°]

#### Optional configuration 可选配

- 床垫：餐桌 • Mattress,Mobile food table



### BS-728A

#### 二摇护理床

Hospital Bed with Two Revolving Levers



### BS-728B

#### 二摇护理床

Hospital Bed with Two Revolving Levers



### 技术参数

Technical parameters

Overall size 规格 2000x900x500 mm

#### Standard Configuration 标准配置

- 手动摇杆弹簧拉力系统 • Manual crank spring tensioning system
- 不锈钢护栏一对 • Stainless steel side rails
- 四轮采用125mm全制动脚轮 • 125mm dia.Noiseless castors with brake
- 点滴架插孔每侧两个，引流挂钩每侧二个，输液杆一支 • Urine hooks,J.V drip

#### Function 功能

- 背部角度0-80° [±5°] • Back-rest lifting angle is 0-80° [±5°]
- 膝部角度0-40° [±5°] • Knee-rest lifting angle is 0-40° [±5°]

#### Optional configuration 可选配

- 床垫：餐桌 • Mattress,Mobile food table

(86) 186-8880-7020



BS-829

二摇护理床

Hospital Bed with Two Revolving Levers



技术参数

Technical parameters

Overall size 规格 2100x900x500 mm

Standard Configuration 标准配置

- 手动摇杆弹簧拉力系统 • Manual crank spring tensioning system
- 不锈钢护栏一对 • Stainless steel side rail
- 点滴架插孔每侧两个，引流挂钩每侧二个，输液杆一支 • Urine hooks, I.V drip

Function 功能

- 背部角度0-80° [±5°] • Back-rest lifting angle is 0-80° [±5°]
- 膝部角度0-40° [±5°] • Knee-rest lifting angle is 0-40° [±5°]

Optional configuration 可选配

- 床垫：餐桌 • Mattress, Mobile food table

BS-717

单摇护理床

Hospital Bed with One Revolving Levers



技术参数

Technical parameters

Overall size 规格 2000x900x500 mm

Standard Configuration 标准配置

- 手动摇杆弹簧拉力系统 • Manual crank spring tensioning system
- 不锈钢护栏一对 • Stainless steel side rail
- 点滴架插孔每侧两个，引流挂钩每侧二个，输液杆一支 • Urine hooks, I.V drip

Function 功能

- 背部角度0-80° [±5°] • Back-rest lifting angle is 0-80° [±5°]

Optional configuration 可选配

- 床垫：餐桌 • Mattress, Mobile food table

+ (86) 186-8880-7020

**BS-718**  
**单摇护理床**

Hospital Bed with One Revolving Levers

**技术参数** Technical parameters

Overall size 规格 2000x900x500 mm

**标准配置**

- 手动摇杆弹簧拉力系统
- 不锈钢护栏一对
- 四轮采用125mm全制动脚轮
- 点滴架插孔每侧两个，引流挂钩每侧二个，输液杆一支

**功能**

- 背部角度0-80° [±5°]

**可选配**

- 床垫; 餐桌



**Standard Configuration**

- Manual crank spring tensioning system
- Stainless steel side rail
- 125mm dia.Noiseless castors with brake
- Urine hooks,I,V drip

**Function**

- Back-rest lifting angle is 0-80° [±5°]

**Optional configuration**

- Mattress,Mobile food table

手动护理床系列

**BS-816**  
**单摇护理床**

Hospital Bed with One Revolving Levers



**技术参数**

Technical parameters

Overall size 规格 2100x900x500 mm

**Standard Configuration** 标准配置

- 手动摇杆弹簧拉力系统
- 四轮采用125mm全制动脚轮
- 点滴架插孔每侧两个，引流挂钩每侧二个，输液杆一支
- Manual crank spring tensioning system
- Urine hooks,I,V drip
- 125mm dia.Noiseless castors with brake

**Function** 功能

- 背部角度0-80° [±5°]
- Back-rest lifting angle is 0-80° [±5°]

**Optional configuration** 可选配

- 床垫; 餐桌
- Mattress,Mobile food table

+ (86) 186-8880-7020

MANUAL MEDICAL BED SERIES



BS-817

单摇护理床

Hospital Bed with One Revolving Levers



1 Crank

技术参数

Technical parameters

Overall size 规格 2060x900x500 mm

Standard Configuration 标准配置

- 手动摇杆弹簧拉力系统 • Manual crank spring tensioning system
- 不锈钢床头尾一套 • Stainless steel head foot board
- 四轮采用125mm全制动脚轮 • 125mm dia.Noiseless castors with brake
- 点滴架插孔每侧两个，引流挂钩每侧二个，输液杆一支 • Urine hooks,I,V drip

Function 功能

- 背部角度0-80° [±5°] • Back-rest lifting angle is 0-80° [±5°]

Optional configuration 可选配

- 床垫；餐桌 • Mattress,Mobile food table

手动护理床系列

BS-818

单摇护理床

Hospital Bed with One Revolving Levers



1 Crank

技术参数

Technical parameters

Overall size 规格 2120x970x500 mm

Standard Configuration 标准配置

- 手动摇杆弹簧拉力系统 • Manual crank spring tensioning system
- 铝合金护栏一对 • Aluminum folding side rails
- 四轮采用125mm全制动脚轮 • 125mm dia.Noiseless castors with brake
- 点滴架插孔每侧两个，引流挂钩每侧二个，输液杆一支 • Urine hooks,I,V drip

Function 功能

- 背部角度0-80° [±5°] • Back-rest lifting angle is 0-80° [±5°]

Optional configuration 可选配

- 床垫；餐桌 • Mattress,Mobile food table



+ (86) 186-8880-7020

MANUAL MEDICAL BED SERIES

BS-818A

单摇护理床

Hospital Bed with One Revolving Levers



BS-808A

平板护理床

Hospital Bed with One Revolving Levers



+ (86) 186-8880-7020

技术参数

Technical parameters

Overall size 规格 2120x970x500 mm

Standard Configuration 标准配置

- 手动摇杆弹簧张力系统
- 铝合金护栏一对
- 四轮采用125mm全制动脚轮
- 点滴架插孔每侧两个, 引流挂钩每侧二个, 输液杆一支
- 放饭餐板
- Manual crank spring tension system
- Aluminum folding side rails
- 125mm dia.Noiseless castors with brake
- Urine hooks,J,V drip
- Folding food table

Function 功能

- 背部角度0-80° [±5°]
- Back-rest lifting angle is 0-80° [±5°]

Optional configuration 可选配

- 床垫: 餐桌
- Mattress, Mobile food table

技术参数

Technical parameters

Overall size 规格 2120x970x500 mm

Standard Configuration 标准配置

- 点滴架插孔每侧两个, 引流挂钩每侧二个, 输液杆一支
- 铝合金护栏一对
- 四轮采用125mm全制动脚轮
- Urine hooks,J,V drip
- Aluminum Siderail
- 125mm dia.Noiseless castors with brake

Optional configuration 可选配

- 床垫: 餐桌
- Mattress, Mobile food table

**BS-G838**

**骨科床**  
Orthopaedic Hospital Bed

4 Cranks



**技术参数**

Technical parameters

Overall size 规格 2120x970x500/2000 mm

**Standard Configuration 标准配置**

- |                            |  |
|----------------------------|--|
| 手动摇杆弹簧拉力系统                 | • Manual crank spring tensioning system              |
| 铝合金护栏一对                    | • Aluminum guardrails                                |
| 四轮采用125mm全制动脚轮             | • 125mm dia.Noiseless castors with brake             |
| 点滴架插孔每侧两个, 引流挂钩每侧二个, 输液杆一支 | • Urine hooks,I.V drip                               |
| 进口304#不锈钢龙门牵引架             | • Imported 304#Stainless steel portal traction frame |

**Function 功能**

- |           |                         |
|-----------|-------------------------|
| 背部上升 80°  | • Back rest upward 80°  |
| 左腿上升 40°  | • Left leg upward 40°   |
| 右腿上升 40°  | • Right leg upward 40°  |
| 上下升降250mm | • Vertical travel 250mm |

**Optional configuration 可选配**

- 床垫; 餐桌 • Mattress, Adjusting food table

**技术参数**

Technical parameters

Overall size 规格 2000x970x500/2000 mm

**Standard Configuration 标准配置**

- |                            |  |
|----------------------------|--|
| 手动摇杆弹簧拉力系统                 | • Manual crank spring tensioning system              |
| 铝合金护栏一对                    | • Aluminum guardrails                                |
| 点滴架插孔每侧两个, 引流挂钩每侧二个, 输液杆一支 | • Urine hooks,I.V drip                               |
| 进口304#不锈钢龙门牵引架             | • Imported 304#Stainless steel portal traction frame |

**Function 功能**

- |          |   |
|----------|---|
| 背部上升 80° | • Back rest upward 80°                        |
| 左腿上升 40° | • Left leg upward 40°                         |
| 右腿上升 40° | • Right leg upward 40°                        |
| 倾斜角度10°  | • Tilt 10° headward and footward respectively |

**Optional configuration 可选配**

- 床垫; 餐桌 • Mattress, food table

**BS-G738**

**骨科床**  
Orthopaedic Hospital Bed

4 Cranks



+ (86) 186-8880-7020

技术参数 Technical parameters

Overall size 规格 2050x980x450/700 mm

标准配置

- 丹麦力纳克电机系统 (电机三个, 电控箱一个, 控制手柄一个)
- 125mm 直径豪华脚轮
- 点滴架插孔每侧两个, 引流挂钩每侧二个, 输液杆一支

功能

- 高-低: 450mm-700mm
- 背部角度0-80° [±5°]
- 膝部角度0-40° [±5°]

可选配

- 床垫; 餐桌; 后备电源
- 护士操作器 (ACP)
- 快速放倒功能 (CPR)
- 台湾TIMOTION (堤摩讯) 电机



BS-830

三功能豪华家居电动护理床

Luxurious Electric Bed with three Functions



BS-831

三功能豪华家居电动护理床

Luxurious Electric Bed with three Functions



技术参数

Technical parameters

Overall size 规格 2050x980x450/700 mm

Standard Configuration 标准配置

- 丹麦力纳克电机系统 (电机三个, 电控箱一个, 控制手柄一个)
- 中控脚踏刹车系统, 单触式手柄操作
- 点滴架插孔每侧两个, 引流挂钩每侧二个, 输液杆一支
- Denmark LINAK medical motor system (3 pcs motors, 1 pcs control box, 1 pcs handset)
- Central-controlled castor brake system
- Urine hooks, I.V drip

Function 功能

- 高-低: 450mm-700mm
- 背部角度 0-80° (±5°)
- 膝部角度 0-40° (±5°)
- Height adjustable from 450 to 700mm
- Back-rest lifting angle is 0-80° (±5°)
- Knee-rest lifting angle is 0-40° (±5°)

Optional configuration 可选配

- 床垫; 餐桌; 后备电源
- 护士操作器 (ACP)
- 快速放倒功能 (CPR)
- 台湾TIMOTION (堤摩讯) 电机
- Mattress, Mobile food table, Back-up power system (UPS)
- Quick fold down system (CPR)
- Nurse control system (ACP)
- Taiwan TIMOTION safety voltage motor

Standard Configuration

- Denmark LINAK medical motor system (3 pcs motors, 1 pcs control box, 1 pcs handset)
- 125mm dia. Noiseless castors with brake
- Urine hooks, I.V drip

Function

- Height adjustable from 450 to 700mm
- Back-rest lifting angle is 0-80° (±5°)
- Knee-rest lifting angle is 0-40° (±5°)

Optional configuration

- Mattress, Mobile food table, Back-up power system (UPS)
- Quick fold down system (CPR)
- Nurse control system (ACP)
- Taiwan TIMOTION safety voltage motor

家居护理床系列

+ (86) 186-8880-7020

HOME CARE MEDICAL BED SERIES

BS-832

三功能豪华家居电动护理床

Luxurious Electric Bed with three Functions



技术参数

Technical parameters

Overall size 规格 2050x970x450/700 mm

Standard Configuration 标准配置

- 丹麦力纳克电机系统 (电机三个, 电控箱一个, 控制手柄一个) • Denmark LINAK medical motor system (3 pcs motors, 1 pcs control box, 1 pcs handset)
- 钢质喷涂护栏4个 • 4pcs steel with powder coating siderail
- 四轮采用125mm全制动脚轮 • 125mm dia. Noiseless castors with brake
- 点滴架插孔每侧两个, 引流挂钩每侧二个, 输液杆一支 • Urine hooks, I.V drip

Function 功能

- 高-低: 450mm - 700mm • Height adjustable from 450 to 700mm
- 背部角度0-80° [±5°] • Back-rest lifting angle is 0-80° (±5°)
- 背部角度0-80° [±5°] • Knee-rest lifting angle is 0-40° (±5°)

Optional configuration 可选配

- 床垫; 餐桌; 后备电源 • Mattress, Mobile food table, Back-up power system (UPS)
- 护士操作器 (ACP) • Nurse control system (ACP)
- 快速收倒功能 (CPR) • Quick fold down system (CPR)
- 台湾TIMOTION (堤摩讯) 电机 • Taiwan Timotion safety voltage motor

家居护理床系列

技术参数

Technical parameters

Overall size 规格 2060x970x300/700 mm

Standard Configuration 标准配置

- 丹麦力纳克电机系统 (电机三个, 电控箱一个, 控制手柄一个) • Denmark LINAK medical motor system (3 pcs motors, 1 pcs control box, 1 pcs handset)
- 中控脚踏刹车系统 • Central-controlled castor brake system
- 点滴架插孔每侧两个, 引流挂钩每侧二个, 输液杆一支 • Urine hooks, I.V drip
- 钢质喷涂护栏, 和一副U型小护栏 • Steel powder coated side rails, and a pair of small "U" shape guardrails

Function 功能

- 高-低: 300mm - 700mm • Height adjustable from 300 to 700mm
- 背部角度0-80° [±5°] • Back-rest lifting angle is 0-80° (±5°)
- 背部角度0-80° [±5°] • Knee-rest lifting angle is 0-40° (±5°)

Optional configuration 可选配

- 床垫; 餐桌; 后备电源 • Mattress, Mobile food table, Back-up power system (UPS)
- 护士操作器 (ACP) • Nurse control system (ACP)
- 快速收倒功能 (CPR) • Quick fold down system (CPR)
- 台湾TIMOTION (堤摩讯) 电机 • Taiwan Timotion safety voltage motor



+ (86) 186-8880-8020

BS-833

三功能豪华家居电动护理床

Luxurious Electric Bed with three Functions



HOME CARE MEDICAL BED SERIES

**BS-833A**

**三功能豪华家居电动护理床**

Home care beds with three functions



**技术参数**

Technical parameters

Overall size 规格 2060x970x300/700 mm

**Standard Configuration 标准配置**

- 丹麦力纳克电机系统 (电机三个, 电控箱一个, 控制手柄一个) • Denmark LINAK medical motor system(3 pcs motors, 1 pcs control box, 1 pcs handset)
- 中控脚踏刹车系统 • Central-controlled castor brake system
- 点滴架插孔每侧两个, 引流挂钩每侧二个, 输液杆一支 • Urine hooks,I.V drip
- 钢制喷涂护栏, 和一副U型小护栏 • Steel powder coated side rails, and a pair of small " U" shape guardrails

**Function 功能**

- 高-低: 300mm - 700mm • Height adjustable from 300 to 700mm
- 背部角度0-80° [±5°] • Back-rest lifting angle is 0-80° (±5°)
- 背部角度0-80° [±5°] • Knee-rest lifting angle is 0-40° (±5°)

**Optional configuration 可选配**

- 床垫; 餐桌; 后备电源 • Mattress, Mobile food table, Back-up power system(UPS)
- 护士操作器 (ACP) • Nurse control system(ACP)
- 快速放倒功能 (CPR) • Quick fold down system(CPR)
- 台湾TIMOTION (塌摩讯)电机 • Taiwan Timotion safety voltage motor

家居护理床系列

**BS-832**

**三功能豪华家居电动护理床**

Luxurious Electric Bed with three Functions



**技术参数**

Technical parameters

Overall size 规格 2060x970x450/700 mm

**Standard Configuration 标准配置**

- 丹麦力纳克电机系统 (电机三个, 电控箱一个, 控制手柄一个) • Denmark LINAK medical motor system(3 pcs motors, 1 pcs control box, 1 pcs handset)
- 中控脚踏刹车系统 • Central-controlled castor brake system
- 点滴架插孔每侧两个, 引流挂钩每侧二个, 输液杆一支 • Urine hooks,I.V drip
- 钢制喷涂护栏, 和一副U型小护栏 • Steel powder coated side rails, and a pair of small " U" shape guardrails
- 猴子连杆 • Monkey Pole

**Function 功能**

- 高-低: 450mm - 700mm • Height adjustable from 450 to 700mm
- 背部角度0-80° [±5°] • Back-rest lifting angle is 0-80° (±5°)
- 背部角度0-80° [±5°] • Knee-rest lifting angle is 0-40° (±5°)

**Optional configuration 可选配**

- 床垫; 餐桌; 后备电源 • Mattress, Mobile food table, Back-up power system(UPS)
- 护士操作器 (ACP) • Nurse control system(ACP)
- 快速放倒功能 (CPR) • Quick fold down system(CPR)
- 台湾TIMOTION (塌摩讯)电机 • Taiwan Timotion safety voltage motor

HOME CARE MEDICAL BED SERIES

+ (86) 186-8880-7020



**BS-833C**

**三功能豪华家居电动护理床**

Home care beds with three functions



**技术参数** Technical parameters

Overall size 规格 2060x970x300/700 mm

**标准配置**

- 丹麦力纳克电机系统 (电机三个, 电控箱一个, 控制手柄一个)
- 125mm 直径豪华脚轮
- 点滴架插孔每侧两个, 引流挂钩每侧二个, 输液杆一支
- 钢制喷涂护栏

**功能**

- 高-低: 300mm-700mm
- 背部角度0-80° [±5°]
- 膝部角度0-40° [±5°]

**可选配**

- 床垫; 餐桌; 后备电源
- 护士操作器 (ACP)
- 快速放倒功能 (CPR)
- 台湾TIMOTION (堤摩讯) 电机



**Standard Configuration**

- Denmark LINAK medical motor system(3 pcs motors,1 pcs control box,1 pcs handset)
- 125mm dia noiseless castors
- Urine hooks,J,V drip
- Steel powder coated side rails

**Function**

- Height adjustable from 300 to 700mm
- Back-rest lifting angle is 0-80° (±5°)
- Knee-rest lifting angle is 0-40° (±5°)

**Optional configuration**

- Mattress,Mobile food table,Back-up power system(UPS)
- Quick fold down system(CPR)
- Nurse control system(ACP)
- Taiwan Timotion safety voltage motor

层护理床系列

**BS-833D**

**三功能豪华家居电动护理床**

Home care beds with three functions



**技术参数**

Technical parameters

Overall size 规格 2060x970x300/700 mm

**Standard Configuration 标准配置**

- 丹麦力纳克电机系统 (电机三个, 电控箱一个, 控制手柄一个)
- 中央脚踏刹车系统
- 点滴架插孔每侧两个, 引流挂钩每侧二个, 输液杆一支
- 钢制喷涂护栏
- Denmark LINAK medical motor system(3 pcs motors,1 pcs control box,1 pcs handset)
- Central-controlled castor brake system
- Urine hooks,J,V drip
- Steel powder coated side rails

**Function 功能**

- 高-低: 300mm-700mm
- 背部角度 0-80° [±5°]
- 膝部角度 0-40° [±5°]
- Height adjustable from 300 to 700mm
- Back-rest lifting angle is 0-80° (±5°)
- Knee-rest lifting angle is 0-40° (±5°)

**Optional configuration 可选配**

- 床垫; 餐桌; 后备电源
- 护士操作器 (ACP)
- 快速放倒功能 (CPR)
- 台湾TIMOTION (堤摩讯) 电机
- Mattress,Mobile food table,Back-up power system(UPS)
- Nurse control system(ACP)
- Quick fold down system(CPR)
- Taiwan TIMOTION safety voltage motor

HOME CARE MEDICAL BED SERIES

+ (86) 186-8880-7020

**BS-833E**

**三功能豪华家居电动护理床**  
Home care beds with three functions



**技术参数**

Technical parameters

Overall size 规格 2050x1200x450/700 mm

**Standard Configuration 标准配置**

- 丹麦力纳克电机系统(电机三个,电控箱一个,控制手柄一个) • Denmark LINAK medical motor system(3 pcs motors, 1 pcs control box, 1 pcs handset)
- 四轮采用125mm全制动脚轮 • 125mm dia.Noiseless castors with brake
- 点滴架插孔每侧两个,引流挂钩每侧二个,输液杆一支 • Urine hooks,J.V drip
- 钢制喷涂护栏 • Steel powder coated side rails

**Function 功能**

- 高-低: 450mm - 700mm • Height adjustable from 450 to 700mm
- 背部角度0-80° [±5°] • Back-rest lifting angle is 0-80° (±5°)
- 膝部角度0-80° [±5°] • Knee-rest lifting angle is 0-40° (±5°)

**Optional configuration 可选配**

- 床垫;餐桌;后备电源 • Mattress,Mobile food table,Back-up power system(UPS)
- 护士操作器 (ACP) • Nurse control system(ACP)
- 快速放倒功能 (CPR) • Quick fold down system(CPR)
- 台湾TIMOTION (堤摩讯)电机 • Taiwan Timotion safety voltage motor

家居护理床系列

**技术参数**  
Technical parameters

Overall size 规格 2100x1000x300/700 mm

**Standard Configuration 标准配置**

- 丹麦力纳克电机系统(电机三个,电控箱一个,控制手柄一个) • Denmark LINAK medical motor system(3 pcs motors, 1 pcs control box, 1 pcs handset)
- 全封闭木护栏 • Full length wooden side rail
- 中控脚踏刹车系统 • Central-controlled castor brake system
- 点滴架插孔每侧两个,引流挂钩每侧二个,输液杆一支 • Urine hooks,J.V drip
- 钢制喷涂护栏,和一副U型小护栏 • Steel powder coated side rails, and a pair of small "U" shape guardrails

**Function 功能**

- 高-低: 300mm - 700mm • Height adjustable from 300 to 700mm
- 背部角度0-80° [±5°] • Back-rest lifting angle is 0-80° (±5°)
- 膝部角度0-80° [±5°] • Knee-rest lifting angle is 0-40° (±5°)

**Optional configuration 可选配**

- 床垫;餐桌;后备电源 • Mattress,Mobile food table,Back-up power system(UPS)
- 护士操作器 (ACP) • Nurse control system(ACP)
- 快速放倒功能 (CPR) • Quick fold down system(CPR)
- 台湾TIMOTION (堤摩讯)电机 • Taiwan Timotion safety voltage motor

+ (86) 186-8880-7020

**BS-833F**

**三功能豪华家居电动护理床**

Home care beds with three functions



HOME CARE MEDICAL BED SERIES

**BS-T833**

**三功能豪华家居电动护理床**

Luxurious Electric Bed with three Functions



**技术参数**

Technical parameters

Overall size 规格 2150x1200x450/700 mm

**Standard Configuration 标准配置**

- 丹麦力纳克电机系统 (电机三个, 电控箱一个、控制手柄一个) • Denmark LINAK medical motor system (3 pcs motors, 1 pcs control box, 1 pcs handset)
- 四轮采用125mm全制动脚轮 • 125mm dia.Noiseless castors with brake
- 点滴架插孔每侧两个, 引流挂钩每侧二个, 输液杆一支 • Urine hooks, I.V drip

**Function 功能**

- 高一低: 450mm - 700mm • Height adjustable from 450 to 700mm
- 背部角度0-80° [±5°] • Back-rest lifting angle is 0-80° (±5°)
- 背部角度0-80° [±5°] • Knee-rest lifting angle is 0-40° (±5°)

**Optional configuration 可选配**

- 床垫; 餐桌; 后备电源 • Mattress, Mobile food table, Back-up power system (UPS)
- 护士操作器 (ACP) • Nurse control system (ACP)
- 快速放倒功能 (CPR) • Quick fold down system (CPR)
- 台湾TIMOTION (堤摩讯) 电机 • Taiwan Timotion safety voltage motor

家居护理床系列

**BS-823**

**两功能豪华家居电动护理床**

Luxurious Electric Bed with Two Functions



**技术参数**

Technical parameters

Overall size 规格 2060x1200x500 mm

**Standard Configuration 标准配置**

- 丹麦力纳克电机系统 (电机两个, 电控箱一个、控制手柄一个) • Denmark LINAK medical motor system (2 pcs motors, 1 pcs control box, 1 pcs handset)
- 点滴架插孔每侧两个, 引流挂钩每侧二个, 输液杆一支 • Urine hooks, I.V drip
- 四轮采用125mm全制动脚轮 • 125mm dia.Noiseless castors with brake

**Function 功能**

- 背部角度0-80° [±5°] • Back-rest lifting angle is 0-80° (±5°)
- 背部角度0-80° [±5°] • Knee-rest lifting angle is 0-40° (±5°)

**Optional configuration 可选配**

- 床垫; 餐桌; 后备电源 • Mattress, Mobile food table, Back-up power system (UPS)
- 护士操作器 (ACP) • Nurse control system (ACP)
- 快速放倒功能 (CPR) • Quick fold down system (CPR)
- 台湾TIMOTION (堤摩讯) 电机 • Taiwan Timotion safety voltage motor

HOME CARE MEDICAL BED SERIES

+ (86) 186-8880-7020

### 技术参数 Technical parameters

规格 Overall size 2050x980x450/700 mm

#### 标准配置

- 铝合金护栏
- 四轮采用125mm全制动脚轮
- 点滴架插孔每侧两个，引流挂钩每侧二个，输液杆一支

#### 功能

- 高-低: 450mm-700mm
- 背部角度0-80° [±5°]
- 膝部角度0-40° [±5°]

#### Standard Configuration

- Aluminum side rail
- 125mm dia.Noiseless castors with brake
- Urine hooks,I.V drip

#### Function

- Height adjustable from 450 to 700mm
- Back-rest lifting angle is 0-80° (±5°)
- Knee-rest lifting angle is 0-40° (±5°)



### BS-W839

#### 三功能手动豪华家居护理床

Luxurious Manual Bed with three Functions



### BS-812

#### 双摇家居护理床

Two crank Home care bed



+ (86) 186-8880-7020

家居护理床系列

### 技术参数

Technical parameters

规格 Overall size 2060x970x500 mm

#### Standard Configuration 标准配置

- 铝合金护栏一对 • Aluminum guardrails
- 手动摇杆弹簧拉力系统 • Manual crank spring tension system
- 点滴架插孔每侧两个，引流挂钩每侧二个，输液杆一支 • Urine hooks,I.V drip

#### Function 功能

- 背部角度 0-80° (±5°) • Back-rest lifting angle is 0-80° (±5°)
- 膝部角度 0-40° (±5°) • Knee-rest lifting angle is 0-40° (±5°)

#### Optional configuration 可选配

- 床垫; 餐桌 • Mattress, Mobile food table

HOME CARE MEDICAL BED SERIES

BS-812A

双摇家居护理床

Luxurious Manual Bed with Two Function



技术参数

Technical parameters

Overall size 规格 2060x970x500mm

Standard Configuration 标准配置

- 手动摇杆弹簧拉力系统 • Manual crank spring tension system
- 四轮采用125mm全制动脚轮 • 125mm dia.Noiseless castors with brake
- 点滴架插孔每侧两个，引流挂钩每侧二个，输液杆一支 • Urine hooks,I.V drip
- 可放倒餐桌 • Folding food table

Function 功能

- 背部角度0-80° [±5°] • Back-rest lifting angle is 0-80° [±5°]
- 腿部角度0-40° [±5°] • Knee-rest lifting angle is 0-40° [±5°]

Optional configuration 可选配

- 床垫：餐桌 • Mattress, Mobile food table

家居护理床系列

技术参数

Technical parameters

Overall size 规格 2050x970x500 mm

Standard Configuration 标准配置

- 手动摇杆弹簧拉力系统 • Manual crank spring tension system
- 铝合金护栏一对 • Aluminum siderail
- 四轮采用125mm全制动脚轮 • 125mm dia.Noiseless castors with brake
- 点滴架插孔每侧两个，引流挂钩每侧二个，输液杆一支 • Urine hooks,I.V drip

Function 功能

- 背部角度0-80° [±5°] • Back-rest lifting angle is 0-80° [±5°]
- 腿部角度0-40° [±5°] • Knee-rest lifting angle is 0-40° [±5°]

Optional configuration 可选配

- 床垫：餐桌 • Mattress, Mobile food table



BS-812B

双摇家居护理床

Luxurious Manual Bed with Two Function



+ (86) 186-8880-7020

HOME CARE MEDICAL BED SERIES

BS-811A

单摇家居护理床

Luxurious Manual Bed with one Function



技术参数

Technical parameters

Overall size 规格 2050x970x500 mm

Standard Configuration 标准配置

- 铝合金护栏一对 • Aluminum Siderail
- 手动摇杆弹簧拉力系统 • Manual crank spring tension system
- 点滴架插孔每侧两个，引流挂钩每侧二个，输液杆一支 • Urine hooks,I.V drip

Function 功能

- 背部角度0-80° [±5°] • Back-rest lifting angle is 0-80° (±5°)

Optional configuration 可选配

- 床垫; 餐桌 • Mattress, Mobile food table

BS-811B

单摇家居护理床

Luxurious Manual Bed with one Function



技术参数

Technical parameters

Overall size 规格 2050x970x500 mm

Standard Configuration 标准配置

- 铝合金护栏一对 • Aluminum Siderail
- 手动摇杆弹簧拉力系统 • Manual crank spring tension system
- 点滴架插孔每侧两个，引流挂钩每侧二个，输液杆一支 • Urine hooks,I.V drip

Function 功能

- 背部角度0-80° [±5°] • Back-rest lifting angle is 0-80° (±5°)

Optional configuration 可选配

- 床垫; 餐桌 • Mattress, Mobile food table

+ (86) 186-8880-7020



### BS-818

#### 单摇护理床

One function Manual Children Bed

- 床体尺寸 Overall size 1880x900x1260 mm

#### 材料 Material

- 床板采用冷板一次冲压成型，表层静电粉末喷涂  
The bed platform is made of cold roll steel sheet, shaped at one time

#### 标准配置 Standard Configuration

- 手摇杆弹簧拉力系统 Manual crank spring tensing system
- 钢喷塑护栏一对 Steel powder coated side rails
- 不锈钢蚊帐架一对 Mosquito net frame
- 点滴架插孔每侧二个，引流挂钩每侧二个，输液杆一支 Urine hooks, I.V drip

#### 功能 Function

- 背部角度 0-80° [±5°] Back-rest lifting angle is 0-80°C [±5°]

### BS-815A

#### 双摇儿童床

Two function Manual Children Bed

- 床体尺寸 Overall size 1880mm × 900mm × 1260mm

#### 材料 Material

- 床板采用冷板一次冲压成型，表层静电粉末喷涂  
The bed platform is made of cold roll steel sheet, shaped at one time

#### 标准配置 Standard Configuration

- 手摇杆弹簧拉力系统 Manual crank spring tensing system
- 钢喷塑护栏一对 Steel powder coated side rails
- 点滴架插孔每侧二个，引流挂钩每侧二个，输液杆一支 Urine hooks, I.V drip

#### 功能 Function

- 背部角度 0-80° [±5°] Back-rest lifting angle is 0-80°C [±5°]
- 腿部角度 0-40° [±5°] Knee-rest lifting angle is 0-40°C [±5°]



儿童、婴儿护理床系列

### BS-612 不锈钢婴儿床

STAINLESS STEEL BABY BED



材 质: 不锈钢+亚克力婴儿盆

规 格: 800x600x850 mm

Material: STAINLESS STEEL+ACRYLIC BABY BASIN

Overall size: 800x600x850 mm

### BS-613A 不锈钢婴儿床

STAINLESS STEEL BABY BED



材 质: 不锈钢+亚克力婴儿盆

规 格: 850x520x850mm

Material: STAINLESS STEEL+ACRYLIC BABY BASIN

Overall size: 850x520x850mm

### BS-613 不锈钢婴儿床

STAINLESS STEEL BABY BED



材 质: 不锈钢+亚克力婴儿盆

规 格: 850x550x950mm

Material: STAINLESS STEEL+ACRYLIC BABY BASIN

Overall size: 850x550x950mm

### BS-614 不锈钢婴儿床

STAINLESS STEEL BABY BED



材 质: 不锈钢+亚克力婴儿盆

规 格: 820x500x970 mm

Material: STAINLESS STEEL+ACRYLIC BABY BASIN

Overall size: 820x500x970 mm

+ (86) 186-8880-7020



**BS-615 不锈钢婴儿床**

STAINLESS STEEL BABY BED

材 质: 不锈钢+亚克力婴儿盆+塑料储物架  
 规 格: 800x480x870mm  
 Material: STAINLESS STEEL+ACRYLIC BABY BASIN  
 BOTTOM PLASTIC STORAGE TRAYS  
 Overall size: 800x480x870mm



**BS-618 刚喷塑婴儿床**

STEEL SPRAY BABY BED

材 质: 钢喷涂+亚克力婴儿盆  
 规 格: 820x530x860 mm  
 Material: STEEL SPRAY+ACRYLIC BABY BASIN  
 Overall size: 820x530x860 mm

**BS-616 不锈钢婴儿床**

STAINLESS STEEL BABY BED

材 质: 全不锈钢  
 规 格: 800x460x950 mm  
 Material: STAINLESS STEEL  
 Overall size: 800x460x950 mm



**BS-814 气缸倾斜升降婴儿推车**

AIR SPRING TILTING UP/DOWN BABY TROLLEY

材 质: ABS+亚克力婴儿盆  
 规 格: 475x465x780 / 980mm  
 颜 色: 绿色 / 粉色 / 蓝色  
 高 低: 980mm-780mm  
 Material: STAINLESS STEEL+ACRYLIC BABY BASIN  
 Overall size: 475x465x780 / 980mm  
 Color: GREEN / PINK / BLUE  
 Height adjustable from 780mm to 980mm



**BS-617 不锈钢婴儿床**

STAINLESS STEEL BABY BED

材 质: 全不锈钢  
 规 格: 800x480x900 mm  
 Material: STAINLESS STEEL  
 Overall size: 800x480x900 mm

+ (86) 186-8880-7020



**BS-819 气缸倾斜升降婴儿推车**

AIR SPRING TILTING UP/DOWN BABY TROLLEY

材 质: 不锈钢+亚克力婴儿盆  
 规 格: 800x600x850 mm  
 Material: STAINLESS STEEL+ACRYLIC BABY BASIN  
 Overall size: 800x600x850 mm

通过液压系统调节车体高低, 高低范围: 855mm-1045mm 倾斜角度可调节至15° 方便母婴交流, 也给婴儿喂食提供了方便的角度。人性化设计: 音乐播放功能, 采用可插播SD卡, 可存储MP3格式的音乐。  
 称量功能: 可实时测量婴儿的体重。可实时测量室内温度。

Height adjustable by hydraulic system, 855mm-1045mm. Tilt angle 15°, easy for mother and baby to communicate and feed.

1. Music playing: With a SD memory card, could storage music in MP3 format.
2. Weight scale: Measure weight at anytime.
3. Atmosphere temperature measuring



### 豪华升降平车

## BS-3001

LUXURIOUS MANUAL UP/DOWN EMERGENCY TROLLEY

#### 尺寸 SPECIFICATION

1950x640x500 / 900mm



### 豪华升降平车

## BS-3001A

LUXURIOUS MANUAL UP/DOWN EMERGENCY TROLLEY

#### 尺寸 SPECIFICATION

1950x640x500 / 900mm

+ (86) 186-8880 7020

#### 标准配置

#### STANDARD CONFIGURATION:

- |             |   |
|-------------|---|
| 双向到位保护螺杆    | ■ Two-way in place protection screw;            |
| 欧式豪华两折隐藏式护栏 | ■ European luxury two foldable hidden guardrail |
| 中控脚轮刹车系统    | ■ central control caster brake system;          |
| 背部气弹簧升降     | ■ back adjust by gas spring                     |
| ABS床面板      | ■ ABS bed panel                                 |
| 氧气瓶架        | ■ A oxygen bottle holder                        |
| 输液架插孔       | ■ infusion stand hole                           |
| 不锈钢输液架      | ■ stainless steel infusion pole                 |

#### 产品特点

PRODUCT ADVANTAGE

材质：框架采用优质合金型材，车面及护栏采用PP工程塑料一次注塑成型。

说明：采用国际先进的中控制车系统，稳定可靠，车面为分体结构，上体采用进口气弹簧做为支撑力源，操作简单、方便。

- The main frame is automatically pressed by the best alloy aluminum(A380.2).Nice and strong in appearance
- The surface and protecting rails are sprayed by imported PE materials, strong and beautiful.
- Single operation design for the bed surface, the upper part is used Italian damper as the holding energy source. Easy to operate
- Hand rocker instrument (there is clutch installed) can adjust the bed surface height between 500-900mm.
- International central control braking system to increase the steady. Direction leading wheels easily come to an ideal situation by only one person.
- The complete design and producing of the bed can much more satisfy to your requirement. It is a good choose to hospital by its humanity design.

### 双液压系统抢救车

## BS-3001B

BI-HYDRAULIC TRANSFER STRETCHER

#### 尺寸 SPECIFICATION

1950mm x 640mm x 550/840mm



### 豪华手术对接车

## BS-3002

LUXURIOUS CONNECTING STRETCHER FOR OPERATION ROOM

#### 尺寸 SPECIFICATION

3650x640x640 / 970mm



**Bossay** 博赛

产品特点  
PRODUCT ADVANTAGE

- 抢救车采用进口PE材料，液压助理系统，坚实美观
- 抢救车具有导向、体位倾斜、升降之功能（550/840）
- 抢救车更具有人性化，理想化，以满足方便医护人员需求为目的
- The stretcher is made of imported PE materials,morden hydraulic assistance system,to make the bed strong and beautiful.
- It has direction leading system,body tilt system,and up/down function(550/840)
- The humanity design and producing of the bed can much more satisfy to the requirement of nursing people

**Bossay** 博赛

产品特点  
PRODUCT ADVANTAGE

材质：框架采用优质合金型材，车面及护栏采用PP工程塑料一次注塑成型

说明：对接车主要结构采用优质一次压铸成型。对接轨道采用高强度合金型材在床面运动过程中更平稳可靠。两单体车可升降调节，达到同一水平，使床架可稳定推移。床架推移至某一单体上可自动锁紧，并设有保险装置。两单体均采用先进的中刹车系统，在运动对接时更稳定可靠。对接车性能结构达到国际先进水平，能满足各医院手术的需求，达到防止交叉感染的目的。是手术室理想的选择。

- The connecting stretcher is mostly made of aluminum materials of good quality and molded at one shot.
- The track of the connecting stretcher is made of high-strength aluminum alloy material which makes the bed very smooth and stable.
- The height of the two single body vehicle can be adjusted:arriving at the same level can make the bed rack move sideways or slip.
- After the bed rack slips to a certain location,it would lock tight automatically.
- An insurance device is furnished.
- Equipped with guiding wheel device.
- The operation needs only one person.
- Equipped with medium control brake wheel which is more stable.
- The two single body vehicles both adopt the advancing medium control brake system which makes the connecting more stable and reliable.
- The performance and the structure of the connecting vehicle both meet the advancing international standards;they could meet the requirement of the operating room and prevent cross infection.
- It is ideal for operating rooms.

+ (86) 186-8880-7020

多功能转运推车

**BS-3003**

MULTIFUNCTIONAL STRETCHER CART

尺寸 SPECIFICATION

1950mm x 640mm x 550/840mm



抢救床

**BS-3004**

PROFESSIONAL EMERGENCY RESCUE BED

尺寸 SPECIFICATION

3650x640x640 / 970mm



+ (86) 186-8880-7020

基本尺寸	床板长: 1930mm	Item Technical requirement	Size length : 1930mm
动作范围	床板宽: 645mm	Function	Width: 645mm
	背部升降0-70°		Range of motion Back lift 0-70°
主要材质	高底升降510-850mm	Main material:	High-low 510-850mm
	床板: PPF树脂一体成型		Bed board: Integrated molding of PP resin
	框架: 铝合金压铸和高品质钢材		Frame: Aluminum alloy pressing and high-quality steel
安全工作载荷	床垫: 内芯材料: 聚氨酯泡沫 表面材料: 涤纶(聚酯)	Safe working load:	Mattress: Surface material: polyester Inner core material: polyurethane foam
	脚轮: 中控双面脚轮, 直径150mm		Diameter of Caster: Double sided casters with central lock,150mm
	170kg		170kg

基本尺寸	长2160mm	Item Technical requirement	Size Length 2160mm
动作范围	宽760mm	Function	Width 760mm
	高度调节560-890mm:		High-low 560-890mm
	背部调节0-75°		Back lift 0-75°
主要材质	床板调节0-40°	Main material:	Knee lift 0-40°
	倾斜调节-18° ~ 18°		Tilt -18° ~ 18°
	床板: 抗倍特		Bed board: Compact laminate board
	框架: 铝合金压铸和高品质钢材		Frame: Aluminum alloy pressing and high-quality steel
可收纳气瓶尺寸	床垫: 表面材料: PU涤纶(聚酯)	Diameter of Caster:	Mattress: Surface material: PU polyester
	脚轮: 直径200mm		Diameter of Caster: Double sided casters with central lock,200mm
安全工作载荷	内芯材料: 聚氨酯泡沫	Safe working load:	220kg
	直径140mm 最大4L		140mm
	220kg		220kg

### 电动抢救车

## BS-3005

ELECTRIC TRANSFER STRETCHER

#### 尺寸 SPECIFICATION

2050x800x550 / 800mm



### 液压抢救车

## BS-3006

HYDRAULIC TRANSFER STRETCHER

#### 尺寸 SPECIFICATION

2050x800x540 / 780mm



+ (86) 186-8880-7020

#### 标准配置

#### STANDARD CONFIGURATION:

It is a kind of electric transfer stretcher

- 中控轮, 直径150mm
- 欧式豪华隐藏式护栏
- 床面板可透过X射线
- 高-低范围: 800mm-550mm
- 背部角度: 0-60°
- 膝部角度: 0-40°
- 倾斜角度: 0-12°
- Central-lock castors, diameter 150mm
- European luxury two foldable hidden guardrail
- bed board for X-ray Examination
- Ho-Low range :800mm-550mm
- Backrest angle:0-60°
- Knee angle:0-40°
- Trendelenburg & Rev.Trendelenburg:0-12°

#### 标准配置

#### STANDARD CONFIGURATION:

- 通过液压系统, 手摇系统以及气弹簧而达到五个不同功能
- 包装: 1件1.12立方米
- 重量: 90公斤
- 高-低范围: 780mm-540mm
- It is a type of hydraulic transfer stretcher .5 functions available by hydraulic- and gas spring and crank system together
- Packing:1.12CBM/PC
- Weight:90KGS
- Ho-Low range :780mm-540mm

急诊车

**BS-601**

EMERGENCY TROLLEY

尺寸 SPECIFICATION 1900x630x800mm



标准配置	铝合金护栏	Standard accessory	Aluminum side rails.
	不锈钢可移动担架		Stainless steel removable stretcher
	五寸轮带刹		5" silent castors with 2 brakes
	可移动床垫		Removable Mattress

不锈钢双摇担架车

**BS-601A**

MULTIFUNCTIONAL STRETCHER CART

尺寸 SPECIFICATION 1900x750x730mm



标准配置	全201不锈钢材质	Standard accessory	All frame of trolley is made of grade 201 stainless steel
	铝合金护栏		aluminum alloy siderail
	四个5寸静音轮 (2个带刹)		4pcs 5" normal wheels with brake
	5cm泡沫垫		N.M mattress
	背部调节角度: 0-60°		Back-rest angle:0-60°
	膝部调节角度: 0-40°		Knee-rest lifting:0-40°

+ (86) 186-8880-7020

不锈钢三摇担架车

**BS-601B**

THREE CRANK PATIENT TROLLEY

尺寸 Specification 1900x750x450 / 740mm



小四轮担架车

**BS-602**

STAINLESS STEEL STRETCHER WITH FOUR CASTORS

尺寸 Specification 1900x630x750mm



+ (86) 186-8880-7020

全201不锈钢材质	Standard accessory	All frame of trolley is made of grade 201 stainless steel
铝合金护栏		aluminum alloy siderail
四个5寸静音轮 (2个带刹)		4pcs 5" normal wheels with brake
8cm厚床垫		8CM mattress
高度调节范围: 450-740mm		Height adjust range from 450 to 740mm
背部调节角度: 0-90°		Backrest angle: 0-90°
腿部调节角度: 0-40°		Knee-rest lifting: 0-40°

标准配置	不锈钢护栏	Standard accessory	Stainless steel side rails
	不锈钢可移动侧架		Stainless steel removable stretcher
	5寸轮带刹		5" silent castors with 2 skids
	可移动床垫		Removable Mattress
	杂物筐		Shelf



病人推车	BS-603	Trolley for Patient
尺寸	1900x630x800mm	Specification 1900x630x800mm
材料	不锈钢, 海绵+PU	Material Stainless steel and Spong with PU cover



不锈钢妇科检床	BS-773A	Gynecological Examining Table
尺寸	1300*600*650*800mm	Specification 1300*600*650*800mm
材料	不锈钢, 海绵+PU	Material Stainless steel and Spong with PU cover



拆装不锈钢妇科检床	BS-773C	Knock Down Gynecological Examining Table
尺寸	1900x600x770mm	Specification 1940x600x770mm
材料	不锈钢, 海绵+PU	Material Stainless steel and Spong with PU cover
拆装结构		Knock down structure



诊察床	BS-775	Examination Bed
尺寸	1900x620x650mm	Specification 1900x620x650mm
材料	不锈钢, 海绵+PU	Material Stainless steel and Spong with PU cover
拆装结构		Knock down structure



不锈钢妇科检床	BS-773B	Gynecological Examining Table
尺寸	1900x600x770mm	Specification 1900x600x770mm
材料	不锈钢, 海绵+PU	Material Stainless steel and Spong with PU cover



两节不锈钢妇科检床	BS-773B-1	Two-section Gynecological Examining Table
尺寸	1250x680x770mm	Specification 1250x680x770mm
材料	不锈钢, 海绵+PU	Material Stainless steel and Spong with PU cover



诊察床	BS-775A	Examination Bed
尺寸	1900x620x650mm	Specification 1900x620x650mm
材料	不锈钢, 海绵+PU	Material Stainless steel and Spong with PU cover
功能	背部倾斜70°	Function Back rest up 70° ± 5°
护栏	不锈钢护栏	Side rail Stainless steel side rails



诊察床	BS-775B	Examination Bed
尺寸	1900x620x650mm	Specification 1900x620x650mm
材料	不锈钢, 海绵+PU	Material Stainless steel and Spong with PU cover

(86) 186-8880-7020



诊察床	BS-775C	Examination Bed	
尺寸	1990x900x900mm	Specification	1990x900x900mm
材料	不锈钢, 海绵+PU	Material	Stainless steel and Spong with PU cover



诊察床	BS-775D	Examination Bed	
尺寸	1900x600x650mm	Specification	1900x600x650mm
材料	不锈钢, 海绵+PU	Material	Stainless steel and Spong with PU cover



诊察床	BS-775E	Examination Bed	
尺寸	1900x700x650mm	Specification	1900x700x650mm
材料	不锈钢, 海绵+PU	Material	Stainless steel and Spong with PU cover
配置	四个5寸豪华静音轮	Configuration	Four 5" luxury noiseless castors
配置	一个储物柜	Configuration	One storage cabinet



诊察床	BS-776	Electric Examination bed	
尺寸	1900x620x490/780mm	Specification	1900x620x490/780mm
材料	不锈钢, 海绵+PU	Material	Stainless steel and Spong with PU cover

+ (86) 186-8880-7020



电动手术床  
**BS-3004**  
ELECTRIC OPERATION



**Bossay** 博赛  
产品特点  
PRODUCT ADVANTAGE

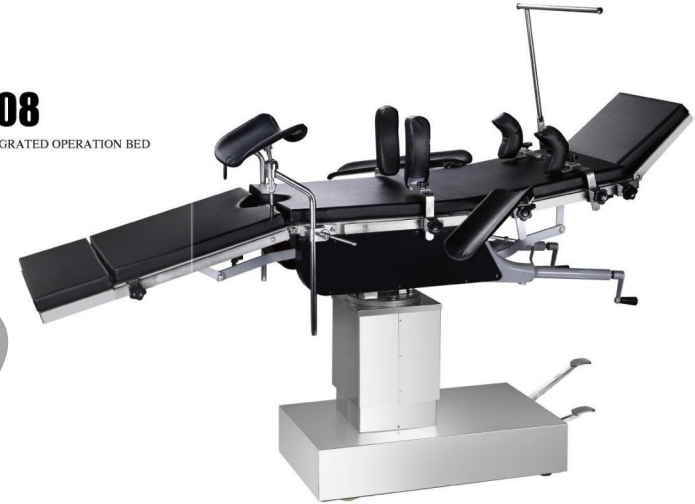
Specification 规格

Length/Width	台面长度/宽度	2000mm/500mm
Elevation(up/down)	台面最低/最高高度	680mm/930mm
Trendelenburg	台面前倾角度	≥25°
Reverse Trendelenburg	台面前倾角度	≥25°
Lateral Tilt(left/right)	台面左倾/右倾角度	20° /20°
Head Rest(up/down)	头板上折/下折角度	45° /90°
Footplate(up/down&horizontal positioning)	腿板上折/下折/外折角度	90° /90° /15°
Back plate(up/down)	背板上折/下折角度	75° /10°
Kidney bridge	腰桥升距	120mm
Sliding	平移	300mm
Power	电源电压/电源频率/电源容量	220v,50Hz,1.0KW

Configuration 标准配置

1 Anaesthetic Screen	1 麻醉屏架
2 Shoulder Rest	2 肩托
2 Arm Support	2 臂托
2 Body Support	2 搁手板
2 Knee Crutch	2 托腿架

液压手术床  
**BS-3008**  
HYDRAULIC INTEGRATED OPERATION BED



**Bossay** 博赛  
产品特点  
PRODUCT ADVANTAGE

Specification 规格

Length/Width	台面长度/宽度	2000mm/500mm
Elevation(up/down)	台面最低/最高高度	780mm/1020mm
Trendelenburg	台面前倾角度	22°
Reverse Trendelenburg	台面前倾角度	22°
Lateral Tilt	台面左倾/右倾角度	18° /18°
Head rest(up/down)	头板上折/下折角度	45° /70°
Leg Plate(up/down)	腿板上折/下折	15° /90°
Back Plate(up/down)	背板上折/下折角度	75° /15°
Kidney bridge elevation	腰桥升距	120mm

Configuration 标准配置

1 Anaesthetic Screen	1 麻醉屏架
2 Shoulder Rest	2 肩托
2 Arm Support	2 臂托
2 Body Support	2 搁手板
2 Knee Crutch	2 托腿架



+ (86) 186-8880-7020

电动/液压分娩台

**BS-3009**

ELECTRIC DELIVERY TABLE

Giường điện động/ thủy lực phân tử ch BS - 3009



**Bossay** 博赛

产品特点  
PRODUCT ADVANTAGE

Description 介绍

床垫颜色可选。外罩采用304不锈钢。双控制(手远程控制 and 脚踏开关)  
Any colors are available for the mattress. Made of full premium 304 stainless steel.  
Double control(hand remote control and pedal switch)

Specification 规格

Lenth/width	台面长度/宽度	1780mm/600mm
Elevation(up/down)	台面最低/最高高度	680mm/880mm
Back Plate(up/down)	台面前倾/后倾角度	8° /20°
Power	电源电压 / 电源频率 / 电源容量	220V / 50HZ / 1.0KW

Configuration 标准配置

1 Anaesthetic Screen	1 麻醉屏架
2 Shoulder Rest	2 肩托
2 Arm Support	2 臂托
2 Body Support	2 扶手板
2 Knee Crutch	2 托腿架

液压分娩台

**BS-3010**

ELECTRIC DELIVERY TABLE



**Bossay** 博赛

产品特点  
PRODUCT ADVANTAGE

Description 介绍

床垫颜色可选，外罩采用304不锈钢  
Any colors are available for the mattress, made of full 304 stainless steel

Specification 规格

Lenth	台面长度	1760 mm
Width	台面宽度	600 mm
Elevation(up/down)	台面最低/最高高度	660 mm / 910 mm
Trendelenburg	台面前倾角度	≥8°
Anti-trendelenburg	台面前倾角度	≥20°
Back Plate(up/down)	背板上折/下折角度	45° / 10°

Configuration 标准配置

1 Anaesthetic Screen	1 麻醉屏架
2 Shoulder Rest	2 肩托
2 Arm Support	2 臂托
2 Body Support	2 扶手板
2 Knee Crutch	2 托腿架

+ (86) 186-8880-7020

## 液压电动分娩台 BS-3011

ELECTRO-HYDRAULIC DELIVERY TABLE



### Bossay 博赛 产品特点 PRODUCT ADVANTAGE

#### Description 介绍

床垫颜色可选，外罩采用304不锈钢  
Any colors are available for the mattress. Table base and column cover is made of stainless

#### Specification 规格

Length/Width	台面长度/宽度	1740 / 590 mm
Elevation(up/down)	台面最低/台面最高高度	620 mm / 900 mm
Trendelenburg & Rev. Trendelenburg	台面前倾/后倾角度	≥ 10°
Lateral Tilt(left/right)	台面左倾/右倾角度	≥ 25°
Head rest(up/down)	头板上折/下折角度	60° / 10°

#### Configuration 标准配置

1 Anaesthetic Screen	1 麻醉屏架
2 Shoulder Rest	2 肩托
2 Arm Support	2 臂托
2 Body Support	2 搁手板
2 Knee Crutch	2 托腿架

## 液压手术台

## BS-3012

HYDRAULIC OPERATION TABLE WHICH CAN BE X-RAYING



### Bossay 博赛 产品特点 PRODUCT ADVANTAGE

#### Description 介绍

机械传动控制床的动作、液压力增加或减少控制床的升降，外形美观、结构紧凑、操作方便、适用于各种外科手术。可透视X光

Hydraulic function controls up and down of the bed. mechanical drive controls the movements of the bed. Nice appearance, compact structure. The bed can be used in X-rays

#### Specification 规格

Length / width	台面长度/宽度	2010/500mm
Elevation(up/down)	台面最低/最高高度	760/1010mm
Trendelenburg & Rev. Trendelenburg	台面前倾/后倾角度	22° /22°
Lateral Tilt	台面左倾/右倾角度	20° /20°
Head rest(up/down)	头板上折/下折角度	60° /70°
Foot Plate(up/down)	腿板下折/外折角度	85° /90°

#### Configuration 标准配置

1 Anaesthetic Screen	1 麻醉屏架
2 Shoulder Rest	2 肩托
2 Arm Support	2 臂托
2 Body Support	2 搁手板
2 Knee Crutch	2 托腿架

+ (86) 186-8880-7020

电动眼科手术台  
**BS-3013**  
ELECTRIC OPERATING TABLE FOR OPHTHALMOLOGY



**Bossay** 博赛  
产品特点  
PRODUCT ADVANTAGE

Description 介绍

床垫颜色可选, 外罩采用304不锈钢  
Any colors are available for the mattress, made of full 304 stainless steel

Specification 规格

Lenth / Width	台面长度/宽度	2000/530mm
Elevation(up/down)	台面最低/最高高度	500/760mm

Configuration 标准配置

1 Anaesthetic Screen	1 麻醉屏架
2 Shoulder Rest	2 肩托

牵引架  
**BS-3014**  
TRACTION FRAME



**Bossay** 博赛  
产品特点  
PRODUCT ADVANTAGE

Description 介绍

用于骨科牵引,由优质304不锈钢,可以与任何手术床相配  
used for orthopaedics traction,made of premium 304 stainless steel,can use with any operating table models

Specification 规格

Height	牵引架长度/宽度	≤800mm
Lifting range	牵引架高度	≥350mm
Traction range	允许配合床面最低位	≥190mm
rotation(up & down)	脚板牵引距离	120°
horizontal rotation	搁腿架最低位	360°
horizontal evagination of body frame	行程	≥180°
Extendable adjustment(back & forth)	脚板上、下可调角度	≥400mm
Lifting adjustment range of side frame	牵引架外撑组件展开	≥200mm

+ (86) 186-8880-7020

牵引床  
**BS-3015**  
HOSPITAL TRACTION BED



+ (86) 186-8880-7020

**Bossay** 博赛

产品特点  
PRODUCT ADVANTAGE

Description 说明

该牵引床是结合传统牵引和中医正骨推拿手法的基础上，根据颈椎间盘的生理解剖和周围神经组织关系的特点，融机械、电子为一体精心设计而成该牵引床采用液晶显示屏，在工业级单片机控制下，能将中医物法中的拉拨、前屈、背伸旋转复位等组合法一次完成配合医生手法，纠正椎体在三维方向上的位移，改变突出物与神经根的关系，达到治疗疾患的效果

The bed's design is based on traditional traction, Chinese naprapathy and the physiological dissection theory of vertebral and peripheral Nerve. It is a new device intergrated by mechanical and electron parts. It has a LCD screen, and could finish the action of pulling forward bending, rotating at one time. Cooperating with the naprapathy of doctor, it can achieve the treating Goal.



床头柜

**BS-513**

BEDSTAND

Size: 470x465x800 mm

Medical Cabinet Series

+ (86) 186-8880-7020



480x470x790mm

BS-514 床头柜 Bedstand



480x470x870mm

BS-515 床头柜 Bedstand



480x470x870mm

BS-515A 床头柜 Bedstand



500x500x700mm

BS-516 床头柜 Bedstand



570x500x730mm

BS-516A 床头柜 Bedstand



440x465x770mm

BS-517 床头柜 Bedstand



470x470x780mm

BS-518 床头柜 Bedstand



480x400x810mm

BS-519 床头柜 Bedstand



470x420x760-1120 mm

BS-519A 床头柜 Bedstand

MEDICAL CABINETS & TROLLEY SERIES



BS-520 床头柜  
Bedstand  
450x420x800mm



BS-521 床头柜  
Bedstand  
450x420x170x800mm



BS-522 床头柜  
Bedstand  
450x420x800+100mm



BS-522A 床头柜  
Bedstand  
450x420x770mm



BS-523 床头柜  
Bedstand  
450x440x880mm



BS-524 床头柜  
Bedstand  
445x500x800mm



BS-525 床头柜  
Bedstand  
500x500x730mm



BS-526 床头柜  
Bedstand  
450x440x880mm



BS-527 床头柜  
Bedstand  
445x500x800mm



BS-581 304#不锈钢洗手槽  
304# Stainless Steel Wash Sink  
600x600x1100mm



BS-582 304#不锈钢洗手槽  
304# Stainless Steel Wash Sink  
1600x650x1000+900mm



BS-583 304#不锈钢感应洗手槽  
304# Stainless Steel  
Sensor Hand Wash Sink  
1600x650x1000+900mm



BS-585 304#不锈钢洗手槽  
304# Stainless Steel  
Wash Sink  
340x360x750mm



BS-560  
不锈钢地柜  
Stainless Steel Ground Ark  
1900x500x900mm



BS-561 不锈钢水剂调配柜  
Stainless Steel  
Prepare Cabinet  
1200x300 / 600x1980mm



BS-562 不锈钢双面西药调剂柜  
Stainless Steel Double Face  
Distributor Store Cabinet  
1980x300 / 1000x1980mm

+ (86) 186-8880-7020



BS-563
不锈钢地柜
Stainless Steel Ground Ark
1900x1100x900+1080mm



BS-566 不锈钢双面中药柜
Stainless Steel Double Face
Chinese Herb Medical Cabinet
1980x500/1200x1980mm



BS-565 不锈钢立式中药柜
Stainless Steel
Chinese Herb Medical Cabinet
990x400x1980mm



BS-570 不锈钢器械柜
Stainless Steel
Instrument Cabinet
900x400x1750mm



BS-618 ABS急救车
ABS Emergency Trolley
850x590x950mm



BS-619 ABS诊疗车
ABS Medical trolley
660x470x1000mm



BS-620 ABS急救车
ABS Emergency Trolley
750x480x920mm



BS-571 不锈钢器械柜
Stainless Steel
Instrument Cabinet
900x400x1750mm



BS-573 不锈钢立式中药柜
Stainless Steel
Medical Cabinet
980x400x1980mm



BS-577 不锈钢器械柜
Stainless Steel
Instrument Cabinet
1200x650x1800mm



BS-579 不锈钢无门药柜
Stainless Steel
Medicine Shelf
980x400x1980mm



BS-621 ABS麻醉车
ABS Anesthesia Trolley
750x480x920mm



BS-621A 送药车
ABS Medicine Trolley
750x480x920mm



BS-622 送药车
ABS Medicine Trolley
750x480x920mm

+(86) 186-8880-7020





BS-622A 送药车  
ABS Medicine Trolley  
660x470x1000mm



BS-622B 多功能推车  
Utility Trolley  
660x470x1000mm



BS-623 ABS治疗车  
ABS Clinical Trolley  
630x470x920mm



BS-650 ABS病历推车  
ABS Case history trolley  
410x410x970mm



BS-652 ABS病历车  
ABS Case history trolley  
64x410x950mm



BS-652A ABS病历车  
Steel spray case history trolley  
695x390x1250mm



BS-624 多功能推车  
Utility Trolley  
590x470x920mm



BS-625 送药车  
ABS Medicine Trolley  
790x480x920mm



BS-626 送药车  
ABS Medicine Trolley  
660x470x945mm



BS-653 实用多功能推车  
Utility Trolley  
769x582x1032mm



BS-661 实用多功能推车  
Utility Trolley  
539x366x900mm



BS-660 实用多功能推车  
Utility Trolley  
539x366x950mm

86) 186-8880-7020



BS-631 不锈钢三层器械车  
Stainless Steel Instrument Trolley  
640x450x800mm



BS-631B 304# 不锈钢三层器械车(镜面)  
304# Stainless Steel  
Instrument Trolley (Mirror Surface)  
750x550x850mm



BS-632 不锈钢双层器械车  
Stainless Steel Instrument Trolley  
640x420x800mm



BS-636 不锈钢单抽治疗车  
Stainless Steel Treatment Trolley  
640x420x800mm



BS-637 不锈钢单抽器械车  
Stainless Steel Instrument  
Trolley With One Drawer  
490x490x900mm



BS-638 不锈钢双抽器械车  
Stainless Steel Instrument  
Trolley With Two Drawers  
650x450x900mm



BS-638A 304# 不锈钢双抽器械车(镜面)  
304# Stainless Steel Instrument  
Trolley With Two Drawers (Mirror Surface)  
650x450x900mm



BS-639 不锈钢双抽治疗车  
Stainless Steel Treatment  
Trolley With Two Drawers  
600x400x800mm



BS-632B 304# 不锈钢双层器械车(镜面)  
304# Stainless Steel  
Instrument Trolley (Mirror Surface)  
750x550x850mm



BS-635 不锈钢扇形推车  
Stainless Steel Fan-shaped Instrument Trolley  
1220x460x800mm



BS-632A 不锈钢器械车  
Stainless Steel Instrument Trolley  
640x450x800mm



BS-636A 不锈钢双抽治疗车  
Stainless Steel Treatment Trolley  
640x450x800mm



BS-640 不锈钢四抽治疗车  
Stainless Steel Treatment  
Trolley With Four Drawers  
600x400x800mm



BS-640A 不锈钢四抽治疗车  
Stainless Steel Treatment  
Trolley With Four Drawers  
700x520x940mm



BS-662 不锈钢清创车  
Stainless Steel Clean Wound Cart  
750x450x800mm



BS-664 不锈钢带暖瓶架送水车  
Stainless Steel Cart With  
Thermos Bottle Holders  
600x400x800mm

(86) 186-8880-7020



BS-659 不锈钢器械柜  
Stainless Steel Instrument Cabinet  
810x500x820mm



BS-658 不锈钢抢救车  
Stainless Steel Emergency Cart  
650x420x870mm



BS-665 不锈钢平板推车  
Stainless Steel Flat Trolley  
800x500x200+600mm



BS-667 不锈钢升降式托盘  
Stainless Steel Mayo Trolley  
600x400x900 / 1400mm



BS-674 不锈钢屏风  
Stainless Steel Folding Screen

材质 不锈钢, 医用棉质布  
规格 每折 500x1800mm (可分3/4/5折)  
Material Stainless steel structure, imported macromolecule compounded material, anti-bacteria.  
Overall size 500\*1800mm each section (including 3,4 or 5 sections)



BS-667A 不锈钢升降式托盘  
Stainless Steel Mayo Trolley  
600x400x900 / 1400mm



BS-669 内镜转运车  
Two layers endoscope transfer vehicle  
800x550x850mm  
Material Steel powder coated frame, 2 pcs plastic basin  
Configuration Two shelves, 4 silent wheels, 2 with brake, 1 pc handgrip



BS-671 医疗推车  
Medical Cart  
670x580x1120mm



BS-672 洗手架  
Single Bowl Stand  
360x450x730mm



BS-673 不锈钢氧气瓶推车  
Stainless Steel Oxygen Cylinder Cart  
40L



BS-668 不锈钢铺床护理车  
Stainless Steel Dressing Trolley  
900x480x975mm

(86) 186-8880-7020



BS-668A 不锈钢铺床护理车  
Stainless Steel Dressing Trolley  
900x500x765mm



BS-670 不锈钢洗衣车  
Stainless Steel Laundry Trolley  
450x500x850mm



BS-670A 不锈钢洗衣车  
Stainless Steel Laundry Trolley  
Diameter 540mm, height 800mm



BS-678  
输液架  
I.V. Stand



BS-679A  
不锈钢三角输液架  
Stainless Steel I.V. Stand  
with 3 Wheels



BS-679B-1  
不锈钢五星脚踏输液架  
Stainless Steel I.V. Stand  
with 5 Wheels



BS-679B  
塑料五星脚踏输液架  
Stainless Steel I.V. Stand  
with 5 Plastic Wheels



BS-670B 污物车  
Hospital Cleaning Trolley  
810x590x870mm



BS-670C 不锈钢垃圾桶  
Stainless Steel Waste Bin  
12L / 20L



BS-670D 不锈钢分类废物柜  
Hospital Cabinet With Garbage Bin  
500x550x900mm



BS-679C  
塑料五星脚踏输液架  
Stainless Steel I.V. Stand  
with 5 Plastic Wheels



BS-680  
输液杆  
I.V. Pole



BS-680B  
输液杆  
I.V. Pole



BS-C06-1 豪华餐桌  
Luxurious hydraulic over bed table

+ (86) 186-8880-7020



BS-G06-1A 液压餐桌  
Luxurious hydraulic over bed table



BS-G06-1B 液压餐桌  
Luxurious hydraulic over bed table



BS-G06-2 液压餐桌  
Luxurious hydraulic over bed table



BS-G06-2A 液压餐桌  
Luxurious hydraulic over bed table



BS-G202 可旋式升降餐桌  
Revolving Over Bed Table



BS-G203 简易升降餐桌  
Simple Over Bed Table



BS-G204 简易升降餐桌  
Simple Over Bed Table



BS-G204A 简易升降餐桌  
Simple Over Bed Table



BS-G204B 简易升降餐桌  
Simple Over Bed Table



PS-212 输液椅  
Infusion chair



BS-213A 输液椅  
Infusion chair



BS-214 输液椅  
Infusion chair



BS-213 输液椅  
Infusion chair



BS-214A 输液椅  
Infusion chair

+(86) 186-8880-7029



BS-215 输液椅  
Infusion chair



BS-217 疗养院病人餐椅  
Elder Use Nursing Patient Eating Chair



BS-217A 疗养院病人餐椅  
Elder Use Nursing Patient Eating Chair



BS-216 陪人椅  
Accompanying Chair



BS-216A 陪人椅  
Accompanying Chair



BS-211A 候诊椅  
Waiting-room chair



BS-211B 候诊椅  
Waiting-room chair



BS-211C 候诊椅  
Waiting-room chair



BS-211D 候诊椅  
Waiting-room bench



BS-211E 候诊椅  
Waiting-room bench



BS-211F 候诊椅  
Waiting-room bench



BS-211G 候诊椅  
Waiting-room bench



BS-211H 候诊椅  
Waiting-room bench



BS-211I 候诊椅  
Waiting-room bench

+ (86) 186-8880-7020



BS-008 不锈钢双层脚踏凳  
Stainless Steel Foot Stool



BS-008-1 不锈钢单层脚踏凳  
Stainless Steel Foot Stool



BS-675A 不锈钢手术圆凳  
Stainless Steel Operation Stool



BS-675B 手术圆凳  
Plastic Seat Cover Operation Stool



BS-675B-1 手术圆凳  
Plastic Seat Cover Operation Stool



BS-675G 手术圆凳  
Plastic Seat Cover Operation Stool



BS-675D 手术圆凳  
Plastic Seat Cover Operation Stool



BS-675E 手术圆凳  
Operation stool



BS-675F 手术圆凳  
Operation stool



BS-675G 手术圆凳  
Operation stool



BS-675H 手术圆凳  
Operation stool



BS-1A1  
铝合金折叠担架  
Aluminum Alloy Foldable Stretcher  
展开尺寸(长x宽x高): 185x50x24cm  
折叠尺寸(长x宽x高): 92x50x11cm  
Product size(LxWxH): 185x50x24cm  
Folded size(LxWxH): 92x50x11cm



BS-1A2  
铝合金折叠担架  
Aluminum Alloy Foldable Stretcher  
展开尺寸(长x宽x高): 185x50x24cm  
折叠尺寸(长x宽x高): 92x50x11cm  
Product size(LxWxH): 185x50x24cm  
Folded size(LxWxH): 92x50x11cm



BS-1A3  
折叠担架(钢)  
Epoxy Coated Steel Foldable Stretcher  
展开尺寸(长x宽x高): 185x50x3cm  
折叠尺寸(长x宽x高): 92x50x10cm  
Product size(LxWxH): 185x50x3cm  
Folded size(LxWxH): 92.5x50x10cm



BS-1F3  
铝合金折叠担架  
Aluminum Alloy Foldable Stretcher  
展开尺寸(长x宽x高): 208x55x13cm  
折叠尺寸(长x宽x高): 104x17x9cm  
Product size(LxWxH): 208x55x13cm  
Folded size(LxWxH): 104x17x9cm



BS-3A  
铝合金救护车担架  
Aluminum Loading Stretcher for Ambulance Car (P40)  
最高位(长x宽x高): 190x55x92cm  
最低位(长x宽x高): 190x55x26cm  
High(LxWxH): 190x55x92cm  
Low(LxWxH): 190x55x26cm



BS-3A-1  
急诊车  
Emergency Trolley  
最高位(长x宽x高): 190x55x88cm  
最低位(长x宽x高): 190x55x54cm  
High(LxWxH): 190x55x88cm  
Low(LxWxH): 190x55x54cm

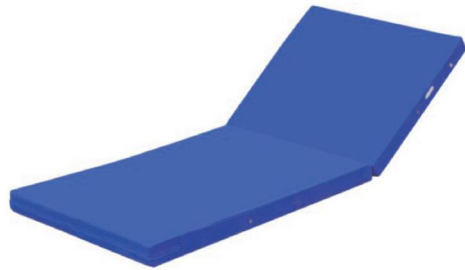
+ (86) 186-8880-7020



**BS-218-1 床垫**

MATTRESS

规格：可根据需方要求制作  
材质：防水、防腐、透气布袋、海绵、椰棕  
高密度棕片、高密度弹性海绵  
防水布：液体不渗透表面，擦拭容易，可长期  
保持干净卫生，有透气性  
Thickness: 80mm  
Mattress: Waterproof, moistureproof, ventilate  
cover, sponge, palm fiber



**BS-218-2 床垫**

MATTRESS

规格：可根据需方要求制作  
材质：防水、防腐、透气布袋、海绵、椰棕  
高密度棕片、高密度弹性海绵  
防水布：液体不渗透表面，擦拭容易，可长期  
保持干净卫生，有透气性  
Thickness: 80mm  
Mattress: Waterproof, moistureproof, PVC soft  
cover, ventilate cover, sponge, palm fiber



**BS-218-3 床垫**

MATTRESS

规格：可根据需方要求制作  
材质：防水、防腐、PU、海绵、椰棕  
高密度棕片、高密度弹性海绵  
防水布：液体不渗透表面，擦拭容易，可长期  
保持干净卫生，有透气性  
Thickness: 80mm  
Mattress: Waterproof, moistureproof, ventilate  
cover, sponge, palm fiber

+ (86) 186-8880-7020



**气垫219**

PRODUCT SPECIFICATIONS

Technical Parameters:

Dimensions

- Mattress (length x width x height) : 77"×35"×3" [ 195cm×88cm×7.5cm ]
- Extension flaps : 20"(50cm) For both sides
- Pump (length x width x height) : 10"×5"×4" [ 195cm×88cm×7.5cm ]

Weight of product

- Mattress weight : 5 lbs (2.3kg)
- Pump weight : 3 lbs (1.4 kg)

Weight capacity

- Maximum patient weight : 298 lbs (135 kg)

Electrical

- Operating power : AC 220V 50Hz, 0.1A MAX
- Fuses : T1A 250V

Environmental conditions

- Operating conditions Ambient temperature : 10°C to 40°C (50°F to 104°F)
- Relative humidity : 10% to 75%
- Storage and shipping conditions Ambient temperature : -18°C to +43°C (0°F to 110°F)
- Relative humidity : 10% to 95%

**气垫219A**

ALTERNATING PARAMETERS

Technical Parameters:

Technical Parameters of The Mattress

- Dimensions (LxWxH) : 180x80x75cm
- Cell Height : 7.5cm/3
- Cell and base material : Nylon+ PVC
- Material thickness : >0.35mm
- Number of cell : 24+1 spare cell
- Number of cell with holes : 10(holes for 1 cell  
Weight support : 110kg

Technical Parameters of The P

- Electric : AC 110V/AC 220V
- Pressure range : 50-110mmHg
- Air Output : 5-liter/min
- Cycle time : 6min
- DimensionsLxWxH : 25x13x935cm







### BS-7001

可折叠轮椅 [全电镀铝踏板]

Detachable Wheelchair

标准配置 Description	钢管车架	Steel tube frame
	固定扶手	Fixed armrest
	固定脚踏	Fixed foot
	车架电镀	Frame plating
	PU座垫垫	PU seat cushions
	8寸塑胶前轮	8 inch plastic front wheel
	24寸钢丝后轮	24 inch wire rear wheel



### BS-7002A

可折叠轮椅 [全喷塑|胶踏板]

Detachable Wheelchair

标准配置 Description	铝合金车架	Aluminum alloy frame
	旋转扶手	Rotating armrests
	固定脚踏	Fixed foot
	车架电镀	Frame plating
	带手刹	With the hand brake
	格子布座垫垫	Checkered cloth seat back cushion
	6寸塑胶前轮	6 inch plastic front wheel
	12寸PU塑胶后轮	12 inch plastic rear wheels
	塑胶踏板(防安全带)	Plastic pedals equipped with safety belts



### BS-7002

轮椅 Wheel Chair

标准配置 Description	铝合金车架	Aluminum alloy frame
	固定扶手	Fixed armrests
	固定脚踏	Rotating feet
	车架电镀	Frame plating
	带手刹	With the hand brake
	格子布座垫垫	Checkered cloth seat back cushion
	6寸塑胶前轮	6 inch plastic front wheel
	12寸PU塑胶后轮	12 inch plastic rear wheels
	塑胶踏板(防安全带)	Plastic pedals equipped with safety belts



### BS-7003

可折叠轮椅 [全喷塑|胶踏板]

Folding Wheel Chair

标准配置 Description	钢管车架	Steel tube frame
	可拆扶手	Detachable armrest
	不可拆卸	Detachable feet
	电镀车架	Plating frame
	PVC座垫垫	PVC seat back cushion
	8寸塑胶前轮	8 inch plastic front wheel
	24寸钢丝后轮	24 inch wire rear wheel

规格 型号	64	24	44	60	20	48	86	100	40	40	100	94x24x88	18/19	CNTS 20' FCL	CNTS 40' FCL
BS-7001														144	300

规格 型号	57	25	41	20	15	43	86	95	40	40	90	66x29x66	10/11	CNTS 20' FCL	CNTS 40' FCL
BS-7002														210	445
BS-7002A														160	340
BS-7003														184	350



## BS-7004A

### 高靠背轮椅

High Back Wheelchair

标准配置 Description	钢管车架	Steel tube frame
	可拆扶手	Detachable armrests
	可拆升降脚踏	Detachable lift foot
	高靠背可调节脚踏	High back adjustable flat
	车架电镀	Frame plating
	PVC座背软垫	PVC seat back cushion
8寸PU塑胶前轮	8 inch PU plastic front wheel	
24寸钢丝后轮	24 inch steel wire rear wheel	



## BS-7004

### 高靠背轮椅

High Back Wheelchair

标准配置 Description	钢管车架	Steel tube frame
	可拆扶手	Detachable armrests
	可拆升降脚踏	Detachable lift foot
	高靠背可调节脚踏	High back adjustable flat
	车架电镀	Frame plating
	PVC座背软垫	PVC seat back cushion
8寸PU塑胶前轮	8 inch PU plastic front wheel	
24寸钢丝后轮	24 inch steel wire rear wheel	



## BS-7004B

### 高靠背轮椅

High Back Wheelchair

标准配置 Description	钢管车架	Steel tube frame
	可拆扶手	Detachable armrests
	可拆升降脚踏	Detachable lift foot
	高靠背可调节脚踏	High back adjustable flat
	车架电镀	Frame plating
	PVC座背软垫	PVC seat back cushion
8寸PU塑胶前轮	8 inch PU plastic front wheel	
24寸钢丝后轮	24 inch steel wire rear wheel	



## BS-7005

### 可折叠轮椅

Detachable Wheelchair

标准配置 Description	钢管车架	Steel tube frame
	固定扶手	Fixed armrest
	可拆卸脚踏	Detachable feet
	带刹车	With a hand brake
	折叠靠背	Folding rely on back
	车架喷漆	Frame spraying
格仔布座背垫	Checked cloth seat back cushion	
8寸塑胶前轮	8 inch plastic front wheel	
22寸PU塑胶后轮	22 inch plastic rear wheels	

## BS-7006

### 座便轮椅 Commode Wheelchair

标准配置 Description	钢管车架	Steel tube frame
	固定扶手	Fixed armrest
	固定脚踏	Fixed foot
	电镀车架	Plating frame
	PVC座背软垫	PVC seat back cushion
	8寸塑胶前轮	8 inch plastic front wheel
24寸钢丝后轮	24 inch wire rear wheel	
拉板式座便轮椅	Pull the plate toilet wheelchair	



## BS-7006A

### 座便轮椅 Commode Wheelchair

标准配置 Description	钢管车架	Steel tube frame
	固定扶手	Fixed armrest
	固定脚踏	Fixed foot
	电镀车架	Plating frame
	PVC座背软垫	PVC seat back cushion
	8寸塑胶前轮	8 inch plastic front wheel
24寸钢丝后轮	24 inch wire rear wheel	
塑胶踏板	Plastic pedals	
盖板式座便轮椅	Cover toilet wheelchair	

规格 型号	座宽	座深	扶手宽	前轮直径	前轮间距	后轮直径	后轮间距	脚踏间距	脚踏高度	脚踏长度	脚踏宽度	重量 kg	DM	重量 NWGW	CNTS 20' FCL	CNTS 40' FCL
BS-7004	65	28	45	60	20	51	120	120	40	78	100	94x29x91	28/30	96	186	
BS-7004A	65	29	45	60	20	49	120	120	44	78	100	94x29x91	29/30	96	186	
BS-7004B	65	29	45	60	20	49	120	120	44	78	100	94x29x91	29/30	96	186	

规格 型号	座宽	座深	扶手宽	前轮直径	前轮间距	后轮直径	后轮间距	脚踏间距	脚踏高度	脚踏长度	脚踏宽度	重量 kg	DM	重量 NWGW	CNTS 20' FCL	CNTS 40' FCL
BS-7005	60	29	42	56	20	48	89	105	40	40	100	78x29x70	13.5/55	170	350	
BS-7006	64	24	45	60	20	49	86	100	44	41	100	94x25x86	19/20	130	260	
BS-7006A	65	25	45	60	20	49	86	100	44	40	100	94x25x86	20/22	140	290	



### BS-7007

#### 轮椅 Wheel Chair

标准配置 Description		
铝合金车架	Aluminum alloy frame	
可折叠扶手	Fold able armrests	
可折叠脚踏	Fold able Foot support	
折叠靠背	Folding backrest	
带手刹	With the hand brake	
可折叠带上飞机	Can bring it on board	
配有安全带	With safe belt	
6寸黑PVC前小轮	6inch PVC front wheel	
7.5寸PVC后轮	12inch PVC rear wheel	



### BS-7008

#### 轮椅 Wheel Chair

标准配置 Description		
铝合金车架	Aluminum alloy frame	
固定扶手	Fixed armrests	
固定脚踏	Rotating feet	
车架电镀	Frame plating	
带手刹	With the hand brake	
格子布座背垫	Checkere cloth seat back cushion	
8寸塑胶前轮	8 inch plastic front wheel	
22寸PU 塑胶后轮	22 inch plastic rear wheels	

### BS-7009

#### 可折叠轮椅

Folding and portable traveling wheelchair

标准配置 Description		
碳钢车架	steel tube frame	
固定扶手	Fixed armrests	
可折叠脚踏	Fold able Foot support	
折叠靠背	Folding backrest	
最大爬坡角度	Maximum Permissible Gradient	15°
最大续航里程	Maximum range	12KM
时速 Speed		6KMH
电机功率 Power		250W
车轮规格	Size of wheels	10inch front/16inch rear wheel



### BS-7010

#### 电动轮椅

Electric Wheelchair

标准配置 Description		
铝合金车架	Aluminum alloy frame	
可折叠扶手	Fold able armrests	
可折叠脚踏	Fold able Foot support	
折叠靠背	Folding backrest	
带手刹	With the hand brake	
可折叠带上飞机	Can bring it on board	
配有安全带	With safe belt	
6寸黑PVC前小轮	6inch PVC front wheel	
10寸PVC后轮	10inch PVC rear wheel	

规格型号	扶手	脚踏	靠背	前轮	后轮	脚踏板	安全带	手刹	脚踏板	脚踏板	脚踏板	脚踏板	脚踏板	脚踏板	脚踏板	脚踏板	脚踏板	脚踏板	脚踏板	脚踏板	脚踏板	脚踏板	脚踏板	脚踏板	脚踏板	脚踏板	脚踏板	脚踏板	脚踏板	脚踏板	脚踏板		
BS-7007	52	38	34	7.5	6	48	88	98	33	42	70	53x33x75	6.95/9.5	210	440																		
BS-7008	60	28	43	60	20	48	86	98	40	43	90	78x29x72	11.7/12.7	170	350																		

规格型号	扶手	脚踏	靠背	前轮	后轮	脚踏板	安全带	手刹	脚踏板	脚踏板	脚踏板	脚踏板	脚踏板	脚踏板	脚踏板	脚踏板	脚踏板	脚踏板	脚踏板	脚踏板	脚踏板	脚踏板	脚踏板	脚踏板	脚踏板	脚踏板	脚踏板	脚踏板	脚踏板	脚踏板	脚踏板	脚踏板				
BS-7009	65	38	45	16	10	39	93	107	44	54	120	95x35x90	19/20	90	190																					
BS-7010	57	30	41	10	8	46	94	96	38	46	100	88x32x57	24/25	170	480																					



## BS-7011

### 可折叠轮椅

Folding and portable traveling wheelchair

座高 seat Height	420mm
座宽 seat width	450mm
座深 seat depth	440mm
整车宽度 Whole Width	600mm
整车长度 Whole Length	1220mm
爬坡角度 Permissible Gradient	15°
标准配置 Description	
最大续航里程 Maximum range	20KM
电机功率 Power	250W
电池 Battery	20AH
净重 N.W	57.5KG
最大负重 Load capacity	120KG
最快时速 Speed	6KM/H
车轮规格 Size of wheels	8 inch front/13inch rear wheel



## BS-7012

### 电动轮椅

Electric Wheelchair

座高 seat Height	340mm
座宽 seat width	460mm
座深 seat depth	380mm
整车宽度 Whole Width	550mm
整车长度 Whole Length	1070mm
爬坡角度 Permissible Gradient	10°
标准配置 Description	
最大续航里程 Maximum range	12KM
电机功率 Power	180W
电池 Battery	24V12AH
净重 N.W	47KG
最大负重 Load capacity	120KG
最快时速 Speed	6.8KM/H
车轮规格 Size of wheels	8inch

规格型号	64	24	44	60	20	48	86	100	40	40	100	94x24x88	18/19	144	300
BS-7011	64	24	44	60	20	48	86	100	40	40	100	94x24x88	18/19	144	300
BS-7012	64	24	44	60	20	48	86	100	40	40	100	94x24x88	18/19	144	300



BS-592  
6寸铝合金助行车  
6" Aluminum Roller



BS-593  
8寸铝合金助行车  
8" Aluminum Roller



BS-593A  
助行车  
Steel Delta Roller



BS-594  
助行车  
Chromed 3-Wheel Roller



BS-594  
马桶椅  
Steel Folding Commode Chair



BS-594-1  
助行车  
Rollator



BS-594-2  
助行车  
Rollator



BS-595  
铝制马桶椅  
Aluminum Commode Chair



BS-596  
电镀马桶椅  
Electroplate Commode Chair



BS-597  
铝制马桶椅  
Aluminum Commode Chair

+(86) 186-8880-7020



BS-597  
马桶椅  
Commode Chair



BS-597-1  
马桶椅  
Commode Chair



BS-593  
8' 铝合金助行器  
8' Aluminum Rollator



BS-593A  
助行车  
Steel Delta Rollator



BS-594-1  
助行车  
Rollator



BS-594  
马桶椅  
Steel Folding Commode Chair



BS-592  
6' 铝合金助行车  
6' Aluminum Rollator



BS-594  
助行车  
Chromed 3-Wheel Rollator



BS-600  
三式转移椅  
Aluminum Transfer Bench



型号 ModelNo	高 Height	地脚 Meas	支脚 Packing	最大载重 LoadCapacity	净重/毛重 N.W/G.W	20英尺装柜量 CNTS 20'FCL	40英尺装柜量 CNTS 40'HQ
BS-A01	67.5-90	66x17x19	20	100	0.3 / 7.5	19080	42120
BS-A02	67.5-90	66x13x19	20	100	0.3 / 7.5	23080	55080
BS-A03	67.5-90	66x17x19	20	100	0.3 / 7.5	19080	42120
BS-A04	77-100	66x17x19	20	100	0.3 / 7.5	19080	42120
BS-A05	67.5-90	66x17x19	20	100	0.3 / 7.5	19080	42120
BS-A06	71-87	66x17x19	20	100	0.34 / 8.3	18080	42120
BS-A07	79-87	66x17x19	20	100	0.34 / 8.3	18080	42120
BS-A08	75-98	100x30x30	20	100	0.52 / 11.9	5460	13280
BS-A09	75-98	100x30x30	20	100	0.52 / 11.9	5460	13280
BS-A10	75-98	100x30x30	20	100	0.52 / 11.9	5460	13280
BS-A11	75-98	100x30x30	20	100	0.52 / 11.9	5460	13280
BS-A12	94-120	90x30x30	20	100	0.58 / 13.1	6160	14560
BS-A13	104-134	95x30x30	20	100	0.66 / 14.7	5980	13760
BS-A14	94-124	88x30x30	20	100	0.64 / 14.3	6160	14880
BS-A15	84-114	85x30x30	20	100	0.62 / 13.9	6440	15680
BS-A16	64-91	84x30x30	20	100	0.64 / 14.3	6160	14880

+ (86) 186-8880-7020



型号 ModelNo	高 Height	箱规 Meas	支/箱 Packing	最大载重 LoadCapacity	净重/毛重 N.W/G.W	20英尺装柜量 CNTS 20FCL	40英尺装柜量 CNTS 40HQ
BS-A17	73-96	73-96	10	100	0.95 / 1.1	2450	6000
BS-A18	72-94.5	72-94.5	10	100	0.92 / 10.7	2450	6000
BS-A19	84.5	86x30x41	20	100	0.84 / 9.9	2300	5700
BS-A20	119	53x13x26	20	100	0.18 / 5.1	31680	75600
BS-A21	95-126	86x27x30	20	100	0.56 / 12.7	7280	17280
BS-A22	87-117	96x30x30	20	100	0.5 / 11.5	5880	13760
BS-A23	134.5-154	140x33x29	20	100	0.9 / 10.5	4880	10440
BS-A24	113-133	120x33x29	20	100	0.78 / 9.3	4960	11880
BS-A25	84-114	101x33x29	20	100	0.8 / 9.5	6240	14580
BS-A26	132-152	137x33x29	20	100	0.8 / 9.5	4640	10620
BS-A27	112-133	117x33x29	20	100	0.76 / 9.1	5600	12600
BS-A28	91-111	99x33x29	20	100	0.7 / 8.5	6240	15120
BS-A29	100-151	120x33x27	20	100	0.8 / 9.5	4960	11880

拐杖及其他配件系列



CRUTCHES&OTHER ACCESSORY SERIES

(86) 186-8880-7020



BS-015

BS-016



BS-027



BS-028



BS-029



BS-030



BS-017

BS-018



BS-031



BS-032



BS-033



BS-021



BS-022



BS-023



BS-034



BS-037



BS-024



BS-025



BS-026



BS-035



BS-036



BS-038

+ (86) 186-8880-7020



BS-039



BS-40



BS-41



BS-42



BS-43



BS-44



BS-45



BS-46



BS-47

+ (86) 186-8880-7020





# Thank You

---

We appreciate your time and attention. If you have any questions or need further information, please feel free to reach out.

---

 **CHINA OFFICE**

Room 19, 2nd Floor DeYi Commercial Building Construction Road No. 4th, Lecong Town Shunde Foshan, Guangdong, Postal code: 528 315

佛山市顺德区乐从镇建设路四号德怡商业大厦北门二楼19-3铺 528315

 + (86) 186-8880-7020     [goldy@imexao.com](mailto:goldy@imexao.com)



@imexao