

Massage Chair Catalogue 2024

SAMPLE 4

BUILD YOUR DREAMS WITH RELIABLE SOURCING FROM CHINA

 www.imexao.com

for
 19+ YEARS

SGA-1008A-8X

Product function description

1. Intelligent configuration: 4D magic movement, automatic detection, voice control, roller scraping, depth 0 gravity, exclusive technique, full body airbag, built-in HIFI, shortcut buttons.
2. ABS piano UV paint, the exterior adopts imported paint Lexus Pearl White, and the shell configuration is made of high and ultra-high temperature injection molding.
3. 14 sets of massage procedures, all-round unique massage: wake up in the morning, Chinese massage, comfort and enjoyment, Thai-style stretch, deep relaxation, shoulder and neck care, Parisian, noon rest, easy swing, waist and hip focus, airbag massage, More automatic
4. Intelligent detection system, the detection is more scientific: the line detection method accurately locates the spine, back blade, etc., and judges the difference in body shape. 4D sensory detection recognizes different body types, and automatically stretches according to the body curve Any automatic mode
5. Sophisticated and in place, 4D movement upgrade: It is a master technique, knowing you better understand massage. 4D sensor movement system, intelligent sensor full core breakthrough, speed sensor, focus on massage technique, 4D movement detection range can be adjusted up and down position, manual gear can be controlled at will, to meet different needs
6. Private customized compound massage technique: precise control, real-time feeling, kneading and beating at the same time, more exclusive semi-arc kneading, delicate program control, deep multiple stages, comfortable massage. Kneading massage, percussion massage, patting massage, tuina massage
7. SL guide rail, compound ergonomics: shoulder area massage, waist area massage, head area massage, buttocks area massage. The SL+ long guide rail is close to the human body, the curve covers all directions, the special movement, the focus is on the massage experience, and the whole body can be massaged comfortably
8. Enjoy SPA foot beauty, acupressure bump rollers, covering the soles of the feet, cyclic scraping massage, foot airbag pressing
9. Space capsule suspension: 3 gears can be adjusted, enjoy the suspension massage experience, effectively reduce the pressure on the spine and whole body joints
10. Air wave massage, cyclic airbag wrapping, scientific cycle pressurization, rhythmic inflation and deflation, squeezing for each acupoint, comfortable and powerful. Shoulder airbags, arm airbags, leg and foot airbags, hip airbags
11. Intelligent expansion and contraction, automatic matching, automatic induction and adjustment of legs, warm body and mind, warm compress, uniform heating, constant temperature safety
12. Immersive music IFHI sound, surround sound effect, easy to fall asleep. Comes with enjoyment, sleeps peacefully, genuine license, comes with a music system, sit back and enjoy the fun.
13. Touch the screen and start with one button. Large LCD screen. Get started easily and control as you like.
14. Intimate details: flexible atmosphere light, exclusive leather for massage chair, mobile phone groove, convenient to store mobile phone; quick operation, easy to use; USB interface, convenient operation; visual light is particularly advanced.



+ (86) 186-8880-7020



Product specifications

Product model	SGA-1008A-8X	Packing size	144x89.6x126.5cm
Product sitting size	155x84x133cm	Packing volume	1.6m ³
product lying size	185x80x87cm	Power	180W
Net weight	110KG	Voltage	220-240V~
Gross weight	133KG		

SGA-1008K-8

Product function description

1. Black Technology 4D manipulator /AI smart chip ,More comfortable upgrade: piano paint, intelligent detection SL guide rail, shoulder and neck pressure release, stretch shin, LCD touch screen, zero gravity, Bluetooth music, body detection, flexible 4D manipulator, foot roller scraping, whole body air bag, waist and back hot compress, calf rubbing, one click start.
2. quickly meet the needs of 10 sets: comfortable enjoy, wake up in the morning, relax the swing, warm sleep aid, unique mode, Thai stretching, Chinese massage, shoulder and neck care, selected procedures, Paris style, waist and hip focus, immune enhancement.
3. full "core" intelligent computing
Intelligent configuration accurate positioning, intelligent chip to strengthen the overall drive, massage movement, movement up and downPosition adjustment, 8 seconds automatic detection, movement speedAdjustment, massage, massage strength adjustment, movement width adjustment, movement intervalRegulate.
4D finger mechanical massage hand, restore the sense of serious finger pressure touch. Precision steel 4D manipulator, to achieve up and down left and right different dimensions massage,With multiple intensity adjustment to form a variety of massage techniques.Massage your hands
4. sl long guide rail,The whole body is covered with massage, and the SL long guide rail fits the nape curve, covering from the depth of the shoulder and neck to the base of the thigh.Survey and positioning
5. Zero Gravity floating,Simulated capsule experience, capsule zero gravity force, enjoy no pressure,Relax with all your heart and soul to help you sleep easily and deeply.Encircling the air bag, push and press layers like waves, overlay the air bag massage technology, pulse massage the whole body is tightly hugged,
6. constant temperature heating, warm and intimate, hot compress parts cover the waist and back, constant temperature hot compress, massage more warm heart.
7. Foot guard combination, wrap multi-directional, wave press calf, foot, and sole
Circular roller gua Sha combination massage, you can also easily do SPA at home
8. HIFI stereo, private custom music festival
9. 360° surround for Bluetooth connection
10. touch screen one click start, large LCD screen, easy to use, control.



+ (86) 186-8880-7020



Product specifications

Product model	SGA-1008K-8	Packing size	148x76.6x88.5cm
Product sitting size	155x80x125cm		58x54.5x63cm
product lying size	185x80x87cm	Packing volume	1.6m ³
Net weight	107KG	Power	150W
Gross weight	135KG	Voltage	220-240V~

SGA-1008K-8

Product function description

- 1、 Black Technology 4D manipulator /AI smart chip ,More comfortable upgrade: piano paint, intelligent detection SL guide rail, shoulder and neck pressure release, stretch shin, LCD touch screen, zero gravity, Bluetooth music, body detection, flexible 4D manipulator, foot roller scraping, whole body air bag, waist and back hot compress, calf rubbing, one click start.
- 2、 quickly meet the needs of 10 sets: comfortable enjoy, wake up in the morning, relax the swing, warm sleep aid, unique mode, Thai stretching, Chinese massage, shoulder and neck care, selected procedures, Paris style, waist and hip focus, immune enhancement.
- 3、 full "core" intelligent computing
Intelligent configuration accurate positioning, intelligent chip to strengthen the overall drive, massage movement, movement up and downPosition adjustment, 8 seconds automatic detection, movement speedAdjustment, massage, massage strength adjustment, movement width adjustment, movement intervalRegulate.
4D finger mechanical massage hand, restore the sense of serious finger pressure touch. Precision steel 4D manipulator, to achieve up and down left and right different dimensions massage,With multiple intensity adjustment to form a variety of massage techniques.Massage your hands
- 4、 sl long guide rail,The whole body is covered with massage, and the SL long guide rail fits the nape curve, covering from the depth of the shoulder and neck to the base of the thigh.Survey and positioning
- 5、 Zero Gravity floating,Simulated capsule experience, capsule zero gravity force, enjoy no pressure,Relax with all your heart and soul to help you sleep easily and deeply.Encircling the air bag, push and press layers like waves, overlay the air bag massage technology, pulse massage the whole body is tightly hugged,
- 6、 constant temperature heating, warm and intimate, hot compress parts cover the waist and back, constant temperature hot compress, massage more warm heart.
- 7、 Foot guard combination, wrap multi-directional, wave press calf, foot, and sole
Circular roller gua Sha combination massage, you can also easily do SPA at home
- 8、 HIFI stereo, private custom music festival
- 9、 360° surround for Bluetooth connection
- 10、 touch screen one click start, large LCD screen, easy to use, control.



+ (86) 186-8880-7020



Product specifications

Product model	SGA-1008K-8	Packing size	148x76.6x88.5cm
Product sitting size	155x80x125cm		58x54.5x63cm
product lying size	185x80x87cm	Packing volume	1.6m ³
Net weight	107KG	Power	150W
Gross weight	135KG	Voltage	220-240V~

SGA-1008R

Product function description

1. Upgrade movement system,Enjoy soft and delicate massage; Movement detection range can, be adjusted up and down,Manual control to meet the needs of no need.
2. Upgrade the detection system.Enable automatic entry detection; Massage is more accurate and meets different people.After testing, long press the up key or down key to adjust.
3. Personal customization.Rich automatic program, master massage, automatic program + personality program combination.Enjoy personal customization, every time the comfort of the heart.
4. Manual program,Enrich personal techniques. Knead | thrash | thrash | knead thrash | open back | shiatsuSuch as a variety of combination techniques free collocation.
- 5.SL+ long guide rail.Close to the human body, the curve covers the full range, the key fit.Effectively press every inch of muscle in the body to relieve muscle pain.
6. Lie deep in 0 gravity.0 against the wall, 3 speed adjustment, reduce body pressure, like space suspension;0 Placed against the wall, greatly saving space.
7. Whole body air bag,Pressure relief wrap. The feeling of "one charge and one release" comes with it, from the shoulders to the feet..Even the muscles of the fingers can follow the breathing rhythm of the air sacs.
8. Foot guard set.Take care of your feet. Multi-directional wrap, wavy kneading of calves, feet and soles Circular roller gua Sha combination massage, you can also easily do SPA at home.
9. Constant temperature heating,Warm and intimate. The hot compress covers the waist and back, Constant temperature hot compress, massage more warm heart.
10. Touch large screen,Multiple functional options; Shortcut key, excellent texture, quick start;
11. Surround sound, Bluetooth easy link; Also equipped with USB charging port, mobile phone stand;



(86) 186-8880-7020



Product specifications

Product model	SGA-1008R	Packing size	146x85x128cm
Product sitting size	155x80x127cm	Packing volume	1.6m ³
product lying size	-	Power	150W
Net weight	104KG	Voltage	220-240V~
Gross weight	128KG		

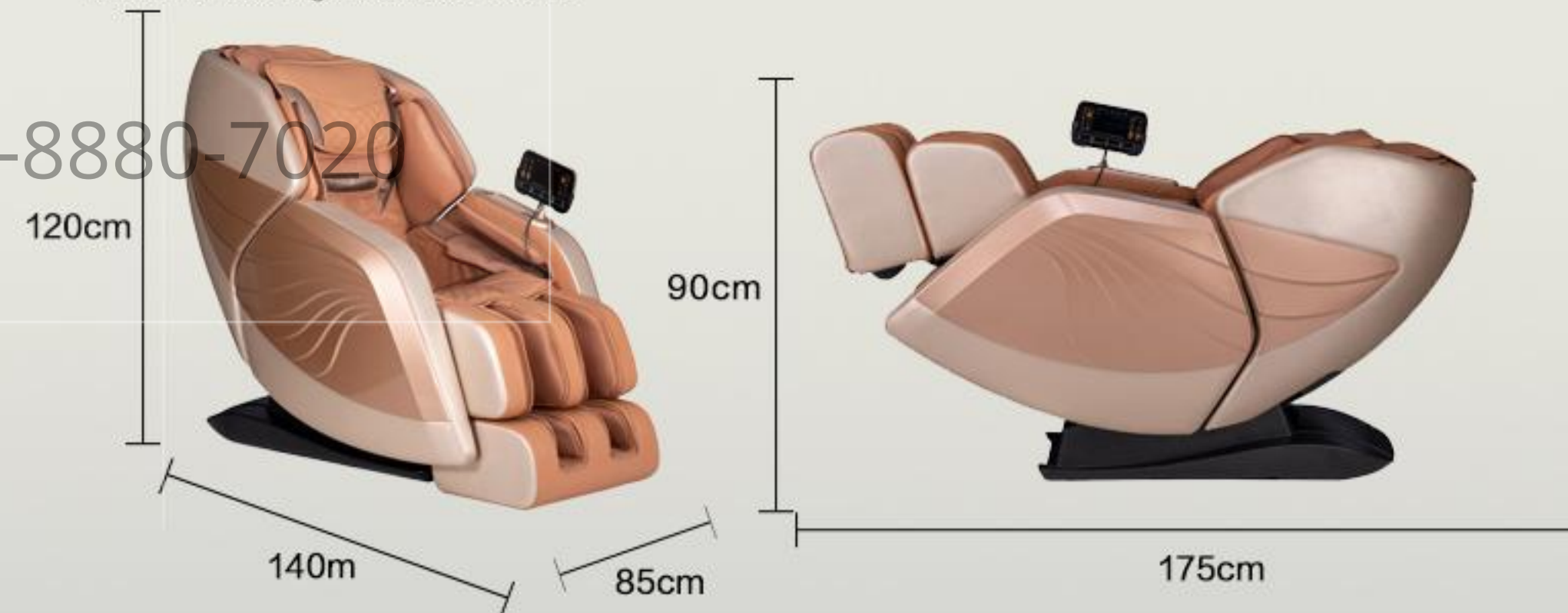
SGA-1008T-1

Product function description

- 1、 3D flexible movement, multiple adjustment, automatic program, intelligent detection, LCD touch screen, SL guide rail, leg expansion, deep V zero gravity, whole body air bag, constant temperature hot compress, HIFI Bluetooth, plantar SPA New 3D Massage movement New upgraded 3D movement, protrusion of about 140mm, transverse massage up to 185mm
- 2、 super wide massage area, bring more accurate massage experience; 3D massage head deep relax tight back muscles, release spine pressure; Fast and accurate shoulder detection technology, intelligent body weight sensitive sensing.
- 3、 3D mechanical flexible arm, 14CM deep touch, relax the shoulder and neck Synchronous massage method, let you feel the body from the outside to the inside comfort, kneading, punching, kneading, massage, shiatsu, comprehensive.
- 4、 Strike the sore area accurately
- 5、 rich massage program, automatic program + personality program composition, Thai stretching, leisure, relaxed classic comfort, president enjoy, core knead sleep, shoulder and neck focus, massage back, relieve waist and hip.
- 6、 SL lengthened guide rail, SL guide rail, massage range is wider, shoulder and neck depth bonding cover to the thigh root. Immersive massage, SL guide rail, massage range is wider bundle shoulder neck deep fit cover to the thigh base. Head area massage, kneading to release pressure. Massage the buttock area to relieve the pain of sitting for long time. Shoulder area massage for neck, shoulder, tapping and kneading. Waist area massage push, press, pinch, punch, waist, delicate care.
- 7、 body type detection, through the body micro-electrical sensing fast and accurate sampling points first detect the whole body, and then focus on the shoulder detection, shoulder detection is more accurate.
- 8、 zero gravity deep lying in the Genki cabin, the whole body deep relaxation as if in space, the whole body floating
- 9、 the whole body air bag pressure relief package, shoulder air bag, shoulder pressure, U-shaped air bag, calf air bag, leg air bag.
- 10、 the leg endless telescopic adjustment bidirectional telescopic, automatically adapt to the leg long long legs no longer need to shrink
- 11、 constant temperature hot compress, safe constant temperature heating, mild heating
- 12、 convenient large LCD touch screen



+ (86) 186-8880-7020



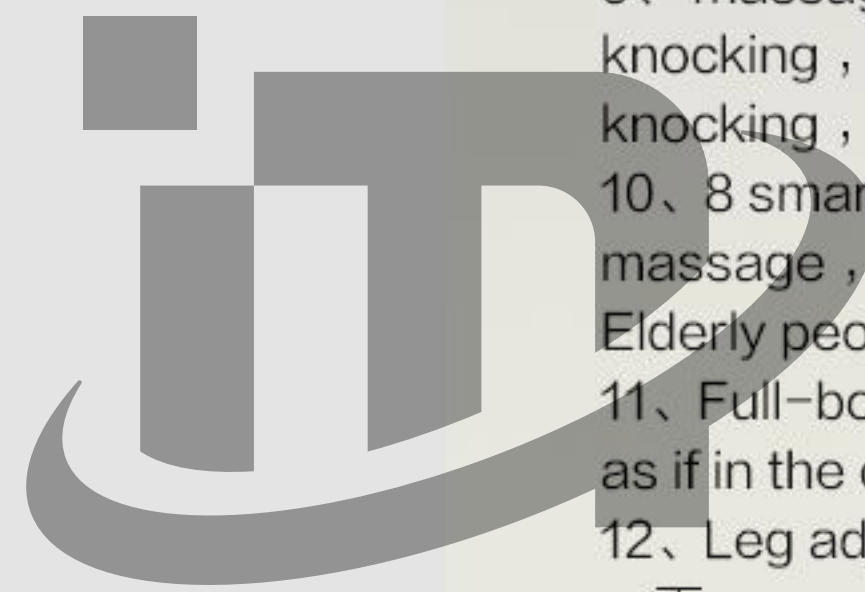
Product specifications

Product model	SGA-1008T-1	Packing size	130x89x124cm
Product sitting size	140x85x120cm	Packing volume	1.6m ³
product lying size	175x85x90cm	Power	100W
Net weight	85KG	Voltage	220-240V~
Gross weight	113KG		

SGA-1008T

Product function description

- 1、 Second generations 3D mechanical
- 2、 Super long SL shape guide, SL shape guide
- 3、 Full body airbag massage
- 4、 3D mechanical
- 5、 9 Auto programs
- 6、 Full body airbag
- 7、 Zero-Gravity
- 8、 Foot roller massage
- 9、 massage techniques: tapping, kneading, acupressure, shiatsu knocking, pushing, tapping, kneading, acupressure, shiatsu knocking, pushing
- 10、 8 smart programs, Chinese massage, Korea massage, Swing massage, Thai Pull massage, Man care massage, Women massage Elderly people massage Relaxing program
- 11、 Full-body airbags massage, Full body enjoyed. , Airbag squeeze massage, as if in the clouds.
- 12、 Leg adjust flexible



+ (86) 186-8880-7020



Product specifications

Product model	SGA-1008T	Packing size	159x76x126cm
Product sitting size	150x87x120cm	Packing volume	1.5m ³
product lying size	-	Power	200W
Net weight	96KG	Voltage	220-240V~
Gross weight	110KG		

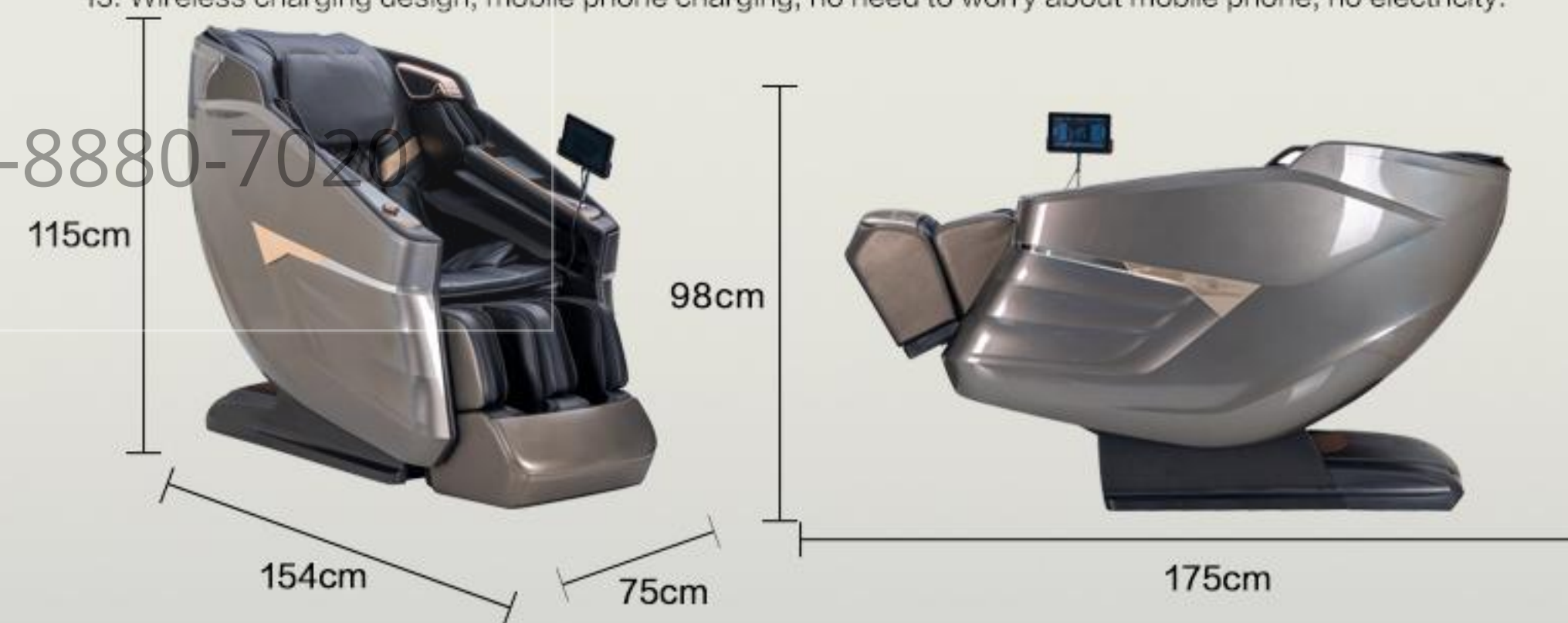
SGA-1008C-1

Product function description

- 20 sets of massage programs: there is always one suitable for you: work stress reduction, leisure pressure relief, Thai massage, Chinese health, ancient massage, sports recovery, President health, Queen slimming, Tianren health, deep slow pressure, chair yoga, sleep, hip relaxation, upper body stretch, shoulder and neck focus, waist slow pressure, back care, lower body decompress, relax your hips, stretch your upper body
- Simulate human massage techniques, upgrade the 3D movement, knead up and down through the curved arm design, back and forth, deep penetration into the neck film. Force penetrates deep cervical membranes, Open back amplitude varies from person to person, multi-gear strength adjustment strong/gentle are satisfied.
- 3D movement, AI detection accurate application of a variety of massage techniques alternate with each other to achieve multi-dimensional massage hand massage.
- SL guide rail, using 135cm guide rail, specially customized for human physiological curve. The back S-shaped guide rail fits, the neck and shoulder ridge parts focus, the waist and hip guide rail NExpand the massage area and really cover more from the neck to the legs
- 6 Kinds of massage techniques A variety of massage techniques, comparable to a number of massage therapists a variety of combinations of meticulous massage, the whole body to enjoy noble exclusive massage. Kneading, tapping, Open back, shiatsu, snap, slap.
- Body type self-detection, automatic boot, adapt to match, fit curve changes. The matching movement uses scans of the shoulder and body shape to make the head of the human body To the buttocks and massage chair fit, really do massage chair varies from entry.
- Zero gravity floating experience, 125-155° space capsule zero gravity Angle, creating a space-like weightlessness to let the brain relax naturally.
- Plantar roller, plantar scraping massage, release negative energy, leg side, multiple groups of air bag kneading, leg bottom, 3 rows of top kneading. Bottom of leg, heel air bag plus Lift massage.
- Waist hot compress SPA let the warmth flow in the whole body, relaxed and carefree.
- Bluetooth audio to create a private space, immersive surround
- Hd touch screen, one-click direct, HD display design, interface design is simple, and it can be easily operated in dim environment.
- Imitation supercar central control, one key quick operation. Like a car central control, smooth operation.
- Wireless charging design, mobile phone charging, no need to worry about mobile phone, no electricity.



+ (86) 186-8880-7020



Product specifications			
Product model	SGA-1008C-1	Packing size	135x75x119cm
Product sitting size	154x75x115cm	Packing volume	1.2m ³
product lying size	175x75x98cm	Power	120W
Net weight	85KG	Voltage	220-240V~
Gross weight	113KG		

SGA-1008G

Product function description

- 1、Space Zero-Gravity, Reliving stress on the body 。
- 2、Sliding forward design , save space
- 3、Soft 3D massage mechanism, Multiple massage techniques 。
- Acupressure, Kneading & rubbing, Flapping , Tapping, Knocking
Kneading, Kneading & Knocking
- 4、 Super long SL shape massage guide rail ,one forming。 SL massage track, Wide coverage of your body 。
- Leg area , Buttock area , Wait area
Back area, Neck area 。
- Neck massage , Wait massage , Buttock massage , Leg massage 。
- 5、 Foot rollers scraping massage 。
- Chinese massage, Korea massage
Swing massage , Thai Pull massage, Man care massage, Women massage, Elderly people massage, Relaxing program, Sleeping program, Watching TV, Reading books 。
- 6、 Black & Red color can be selected



(86) 186-8880-7020

Product specifications

Product model	SGA-1008G	Packing size	159x76x128cm
Product sitting size	145x84x120cm	Packing volume	1.5m ³
product lying size	-	Power	200W
Net weight	100KG	Voltage	220-240V~
Gross weight	115KG		

SGA-1008Y-3

Product function description

1. Intelligent 3D movement, perceiving force, providing more intimate massage; Massaging the curved back can achieve up, down, and movement movement, with built-in pressure sensors providing comfortable massage intensity.
2. Exclusive massage techniques, intelligent biomimetic massage hands, optional at will; Rubbing and kneading, pressing the shoulders, pulling massage, deep massage, finger pressure massage;
3. 13 customized modes to meet different massage requirements; Simulated massage hand, suitable for lumbar muscle strain, low back pain and soreness, etc
4. AI body shape detection, understanding your body shape and massage in place; Automatic body shape detection upon startup, automatically adapting to fit the body shape and meeting the needs of the entire family.
5. Ergonomic extended guide rail, comfortable and load-bearing with natural fitting curve; The mechanical arm massage covers the entire range from the neck to the buttocks;
6. Zero gravity floating experience, cloud massage away from the ground; One click simulation of zero gravity in the spacecraft, creating a space like weightlessness;
7. Wrapped in elastic airbags, the body relaxes in a wave like manner; Provide a SPA like massage experience to the body, with airbags being filled and released along with the massage.
8. 3D wrap massage, new style scraping on the soles of the feet; Large area contact with the sole of the foot provides a comfortable feeling.
9. Warm waist and back SPA, efficient relaxation assistance; Comfortable temperature permeates the whole body, helping to relax the waist and back muscles;
10. HIFI Bluetooth speaker; Wireless charging for mobile phones, convenient and fast; Simulated luxury car rotation button, one click control;



+ (86) 186-8880-7020



Product specifications

Product model	SGA-1008Y-3	Packing size	118x74x109cm
Product sitting size	151x75x105cm	Packing volume	0.95 m ³
product lying size	172x75x86cm	Power	100W
Net weight	61.3KG	Voltage	220-240V~
Gross weight	75.9KG		

SGA-1008Y-2

Product function description

- 1、sl type ultra-long track: private masseuse
- 2、core upgrade, luxury. SL track, 0 gravity, 3 smart manipulators, full body massage, warm waist, foot massage, 6 smart programs, Bluetooth connection, one touch screen.
- 3、SL lengthened guide rail, fit the body, cover the massage from neck to leg, combined with human manipulator fixed-point massage, running freely. The travel track fits the curve of the human body, the whole body covers all parts from the neck to the legs, double tapping, shiatsu massage, alternating kneading, walking massage, back tapping, kneading and beating.
- 4、3D smart movement, 3D massage hand, deep massage movement, priority massage head, flexible and elastic, extended to deep massage, accurate and comfortable, fast relaxation of muscles.
- 5、6 smart modes to meet the massage needs of the whole family, Customized 6 modes intimate for your body and mind a variety of massage, regardless of work, sports brought fatigue, can meet you.
- 6、sleep mode, relaxed mode, fatigue mode, stretching, pain improvement, health leisure.
- 7、0 gravity enjoyment, package design, natural support for the human body, mode space weightlessness experience.
- 8、Whole body air bag, air bag wrapping, shoulder wing air bag, arm U-shaped air bag, leg wrap air bag, leg pinch air bag.
- 9、detail design, shoulder air bag pinch, butterfly multi-shoulder air bag squeeze massage. Arm balloon pinch, arm embedded balloon squeeze massage. Leg and foot airbag wrap 360° airbag wrap press combined with roller shiatsu for more comfort.
- 10、intelligent detection, read different body types, automatically calculate fixed-point strength, automatic leg length detection, suitable for all kinds of people.
- 11、air bag extrusion, foot combination massage, multi-effect care foot health.
- 12、warm compress: cover waist back, buttocks. With hot compress, improve comfort, suitable for all kinds of people,
- 13、smart chip, smart digital motor execution more efficient.
- 14、HIFI music: mobile phone Bluetooth connection
- 15、LCD touch screen



+ (86) 186-8880-7020



Product specifications

Product model	SGA-1008Y-2	Packing size	131x81x127cm
Product sitting size	152x75x125cm	Packing volume	1.3m ³
product lying size	183x75x105cm	Power	120W
Net weight	88KG	Voltage	220-240V~
Gross weight	112KG		

SGA-1008H-3

Product function description

1. AI intelligent program, ideal massage life
2. Zero gravity, SL rail, 6 programs, foot roll scraping, a variety of techniques, waist and back hot compress
- 3.6 set of automatic massage mode: back care, stretch bones, Thai massage, deep slow pressure, shoulder improvement, enjoy sleep
4. Intelligent bionic, 3D magic hand, enjoy the new experience of upgrading, know the weight of the hand, and deeply relieve fatigue.
5. Upgrade the movement, precise positioning, experience delicate massage techniques, massage more focused.
6. Intelligent perception, body type detection, to accurately match different heights, to meet the whole family comfortable massage.
- 7.6 Large massage techniques, a variety of modes of application, comparable to real massage, head to foot in-depth ease:
8. Deep acupuncture: with silicone massage ball to deep fascia.
9. Acupressure massage: local massage by the smart machine, between the shoulder blades and the lower buttocks.
10. Gravity percussion: free fit, deep pressure relief.
11. Powerful beating: Energy activation, rhythm relaxed muscles.
12. Easy rubbing: relax body and mind, relieve muscle stiffness,
13. Deep kneading: relieve weight and release pressure.
14. SL guide rail: Upgrade the human body public school. Care the tired area, cover the massage body feeling. Each section of the continuous curve, to explore the depth of the texture. Traditional massage guide, extended SL massage guide.
15. Whole body flexible air bag, relieve pressure. Shoulders, hands, legs, whole body wrapped in flexible air bags.
16. Output massage strength according to body weight pressure of different people.
17. Upgrade the hot compress to warm the whole body.
18. Zero gravity, floating experience: more relaxed and fit massage state, let people calm down to sleep.
19. Bluetooth speaker, music massage chair experience.



+ (86) 186-8880-7020



Product specifications

Product model	SGA-1008H-3	Packing size	120x76x110cm
Product sitting size	150x76x105cm	Packing volume	1 m ³
product lying size	165x76x80cm	Power	110W
Net weight	72KG	Voltage	220-240V~
Gross weight	84KG		

SGA-1008Y-5

Product function description

1. AI intelligent program, ideal massage life
2. Zero gravity, SL rail, 6 programs, foot roll scraping, a variety of techniques, waist and back hot compress
- 3.6 set of automatic massage mode: back care, stretch bones, Thai massage, deep slow pressure, shoulder improvement, enjoy sleep
4. Intelligent bionic, 3D magic hand, enjoy the new experience of upgrading, know the weight of the hand, and deeply relieve fatigue.
5. Upgrade the movement, precise positioning, experience delicate massage techniques, massage more focused.
6. Intelligent perception, body type detection, to accurately match different heights, to meet the whole family comfortable massage.
- 7.6 Large massage techniques, a variety of modes of application, comparable to real massage, head to foot in-depth ease:
8. Deep acupressure: with silicone massage ball to deep fascia.
9. Acupressure massage: local massage by the smart machine, between the shoulder blades and the lower buttocks.
10. Gravity percussion: free fit, deep pressure relief.
11. Powerful beating: Energy activation, rhythm relaxed muscles.
12. Easy rubbing: relax body and mind, relieve muscle stiffness,
13. Deep kneading: relieve weight and release pressure.
14. SL guide rail: Upgrade the human body public school. Care the tired area, cover the massage body feeling. Each section of the continuous curve, to explore the depth of the texture. Traditional massage guide, extended SL massage guide.
15. Whole body flexible air bag, relieve pressure. Shoulders, hands, legs, whole body wrapped in flexible air bags.
16. Output massage strength according to body weight pressure of different people.
17. Upgrade the hot compress to warm the whole body.
18. Zero gravity, floating experience: more relaxed and fit massage state, let people calm down to sleep.
19. Bluetooth speaker, music massage chair experience.



+ (86) 186-8880-7020



Product specifications

Product model	SGA-1008Y-5	Packing size	128x76x117cm
Product sitting size	147x71x118cm	Packing volume	1.1 m ³
product lying size	178x71x96cm	Power	120W
Net weight	74KG	Voltage	220-240V~
Gross weight	96KG		

SGA-1008D-2

Product function description

Light enjoy home, enjoy warm feeling

1. Compact body, suitable for a variety of apartment types; Intelligent manipulator, master kneading; Stereo Bluetooth speaker, comfortable massage; Hot compress warm body, waist constant temperature heating; Zero gravity mode, cloud lying on its back; Warm pressure, professional foot massage; A variety of massage techniques, relieve a variety of fatigue; Automatic program, suitable for different groups of people; gasBag wrapped, rhythm feeling pinch knead.
2. Six programs soothing massage hands, one-click smart massage chair allows you to easily master: comfortable leisure, stretch and activate, sports massage, waist care, Fatigue recovery, shoulder and neck yoga, zero gravity.
3. Flexible 3D movement accurate massage, accurate 3D movement, according to different parts of the human body can accurately match the massage strength.
4. SL guide rail covers comfortable massage from neck to leg, deep fit back with massage movement back and forth walking massage. Neck, shoulders, back, Waist, waist, hips.
5. Masseur technique to relax the whole body and fall asleep quickly, easily cope with various tiredness, and gently relieve body pain.
6. Health & Body shape detection according to different families, matching scientific massage procedures
7. Simulate the zero-gravity space capsule to create a more relaxed massage state, as if the whole body is floating in the cloud, relaxed and comfortable.
8. Respiratory air bag, shoulder air bag, arm air bag, calf air bag, foot air bag.
9. Warm compress constant temperature body feel comfortable temperature, warm the body care, constant temperature heating.
10. Leg & foot fine care at home can also be foot SPA, foot roller scraping massage. Leg air bag operation knead, leg all-round comfort. Foot roller massage, leg dredge long sitting tensed muscles.
11. HIFI music surround Bluetooth connection, experience music to enjoy a wonderful time.
12. Large screen touch control, integrated large screen, convenient and sensitive.



+ (86) 186-8880-7020



Product specifications

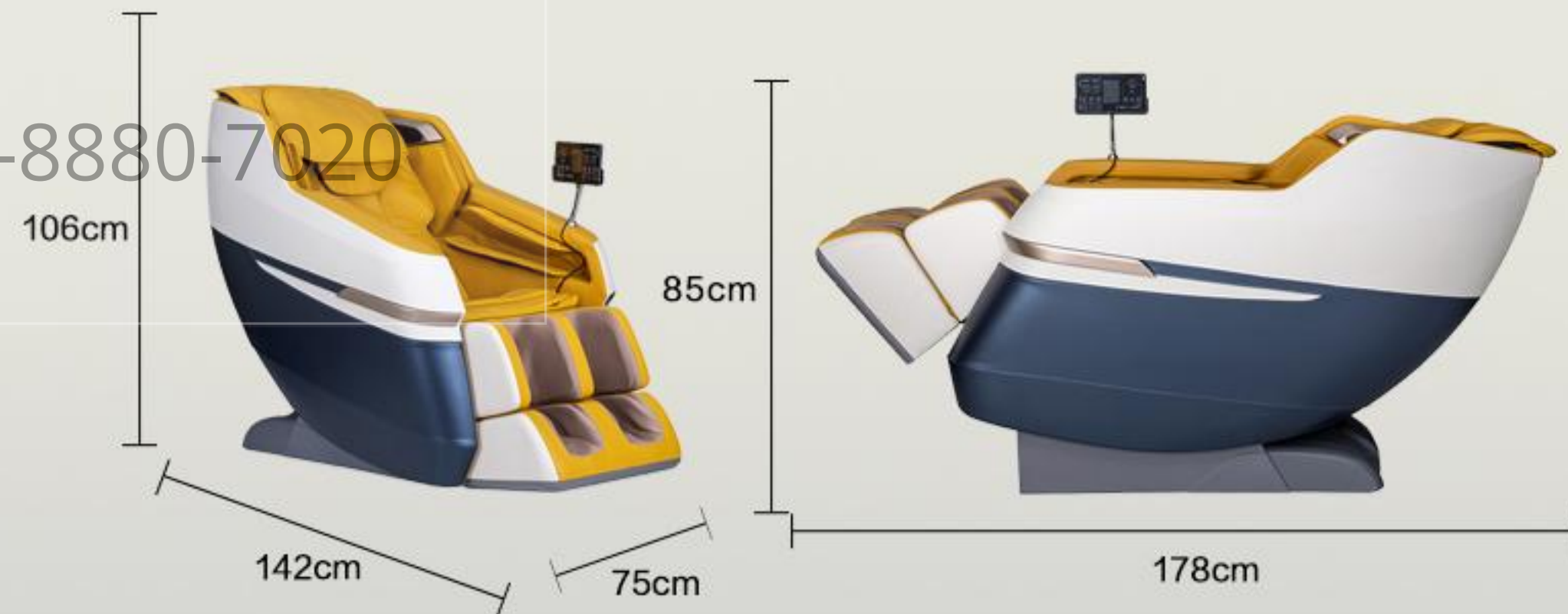
Product model	SGA-1008D-2	Packing size	120x76x114cm
Product sitting size	145x75x106cm	Packing volume	1m ³
product lying size	178x76x110cm	Power	100W
Net weight	62KG	Voltage	220-240V~
Gross weight	80KG		

SGA-1008F

Product function description

Smart enjoy · New experience

- 1、 Airbag wrap, plantar roller, warm compress, deep V zero gravity, large screen touch, pain point improvement, combination program, manual program, roller speed, plantar physiotherapy, intelligent timing, Bluetooth music, one-button swing, air pressure mode, massage technique.
- 2、 artificial massage movement, strength,+ / - adjustment, neck, shoulder, back, waist, hip.
- 3、 deep kneading, massage press, fit the human curve.
- 4、 Innovate a variety of procedures, one-click massage, integrate a variety of massage techniques, Give you a different massage experience. Classic Massage, Heat massage, Pain massage, Home Care, Air massage, One click Rocking chair.
- 5、 zero gravity comfort module, one click to start zero gravity mode to simulate the sense of weightlessness in space, like a walk in the cloud.
- 6、 wave wrap, whole body pressure air bag, warm wrap massage air bag wrap, pull up around. Whole body air bag: shoulders, hands, legs.
- 7、 warm direct: constant temperature hot compress, with air bag massage, warm, soothing back.
- 8、 at home to enjoy the pedicure professional technician, foot roller massage, quickly relieve the feet of acid swelling fatigue, activate the whole body.
- 9、 HIFI surround sound, built-in Bluetooth audio, mobile phone easy connection.
- 10、 pay attention to details, details more quality: HIFI sound, 3D surround, high guarantee enjoyment; Skin friendly,
- 11、 soft skin, comfortable experience; LED screen, one click start light, easy to enable.



Product specifications

Product model	SGA-1008F	Packing size	118x74x1107cm
Product sitting size	142X75X106cm	Packing volume	0.9 m ³
product lying size	178X75X85cm	Power	60W
Net weight	62KG	Voltage	220-240V~
Gross weight	72KG		

SGA-1003P-9U

Product function description

Gift selection

Intelligent upgrade, comfortable sitting feeling, intelligent new friction A variety of massage techniques, movement, automatic mode, kneadinghand, sole extrusion, intelligent hot compress

Intelligent movement, intelligent analysis, penetration fascia, kneading movement, kneading hand.

Personal customization: Kneading mode, massage mode, leisure mode, strong mode Smart robot hand, fit human curve, from foot to foot, fit massage, point to point, deep massage.

Seesaw design, close to the human back, curve massage, softer, deeper, more comfortable experience.

Wave wrap, multiple sets of air bags, shoulders, hips, legs, circulation press, arouse body energy.

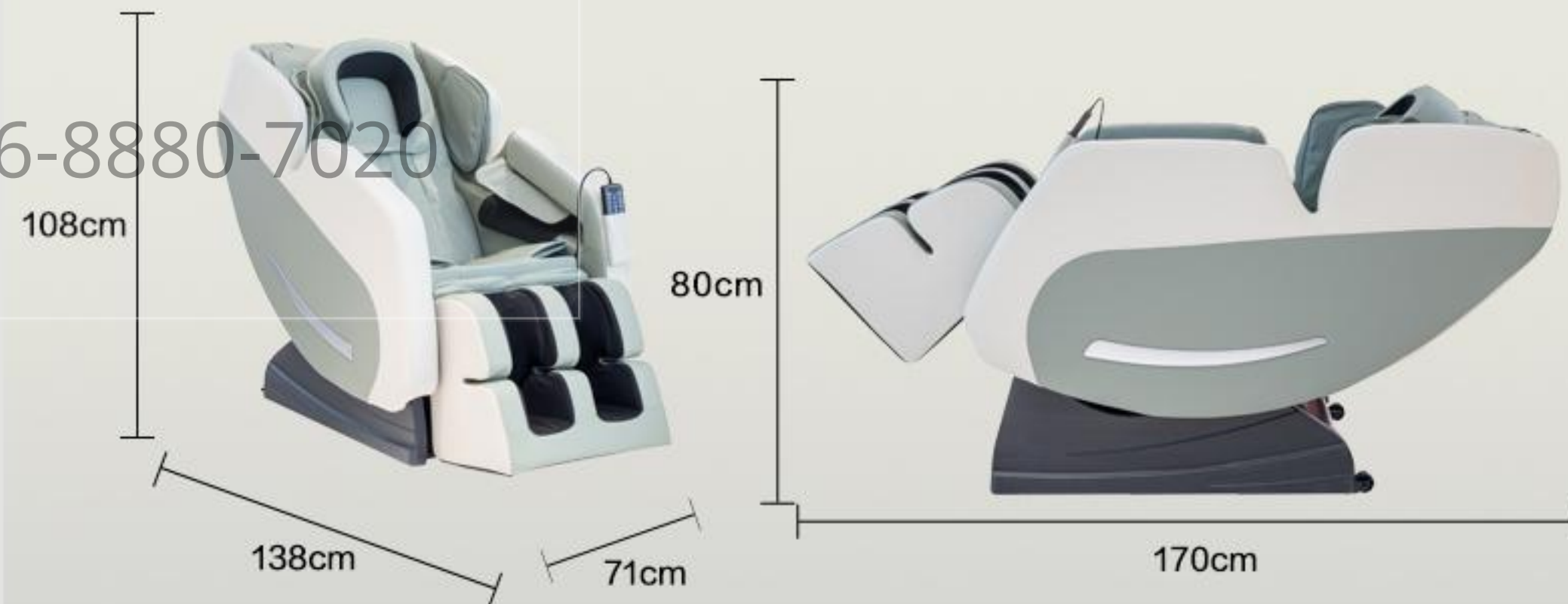
Space experience, comfortable decompression in the weightless environment, improve the massage effect.

Constant temperature hot compress, constant temperature heating waist, give you comprehensive care, warm, very warm heart.

HIFI music, music haunting, soothing massage.



+ (86) 186-8880-7020



Product specifications

Product model	SGA-1003P-9U	Packing size	115X74X101cm
Product sitting size	138X71X108cm	Packing volume	0.9 m ³
product lying size	170X71X80cm	Power	90W
Net weight	60KG	Voltage	220V~
Gross weight	70KG		

SGA-1008Q-5

Product function description

- 1、 zero gravity, simulate the space zero gravity state, so that the body is in a natural and comfortable state, release physical and mental pressure.
- 2、 automatic massage mode
- 3、 4 kinds of automatic massage program to choose from.
- 4、 3D movement massage function.
- 5、 Heating function
- 6、 leg kneading massage
- 7、 manual mode: kneading, tapping, acupressure 4 manual massage mode to choose from.
- 8、 pressure strength massage, can be adjusted weak, medium, strong
- 9、 massage area selection: can be selected according to the massage area.
- 10、 massage movement, fixed-point massage movement, adjustable massage movement up, down position.
- 11、 adjustable backrest: backrest rise, or fall Angle.



Product specifications

Product model	SGA-1008Q-5	Packing size	155x76.5x86cm
Product sitting size	133x67x115cm	Packing volume	1m ³
product lying size	160x67x85cm	Power	100W
Net weight	63KG	Voltage	220-240V~
Gross weight	73KG		

SGA-1003Q-9X

Product function description

1. Upgrade with 3D intelligent massage head, kneading, tapping, massage and other combinations, exquisite experience;
2. SL type deep massage guide rail, 96CM full care back, waist, buttocks, thighs, deep massage;
3. Zero-gravity swing chamber, allowing the body to present a comfortable 123° Angle;
4. Deep massage, easy to help sleep, 96CM full care back, waist, buttocks, thighs, deep massage;
5. Air bag extrusion kneading, deep extrusion massage techniques;
6. Leg support air bag, air bag wrap massage, rotary storage;
7. Small area, easy to move, only 0.73 square meters, where you want to put, put where;
8. Easy control, easy to understand the keys, easy to open various functions;



+ (86) 186-8880-7020



Product specifications

Product model	SGA-1003Q-9X	Packing size	120X73.5X107cm
Product sitting size	113X65X100cm	Packing volume	0.9 m ³
product lying size	125X65X30cm	Power	35W
Net weight	39KG	Voltage	220V~
Gross weight	47KG		

Thank You

We appreciate your time and attention. If you have any questions or need further information, please feel free to reach out.

 **CHINA OFFICE**

Room 19, 2nd Floor DeYi Commercial Building Construction Road No. 4th, Lecong Town Shunde Foshan, Guangdong, Postal code: 528 315

佛山市顺德区乐从镇建设路四号德怡商业大厦北门二楼19-3铺 528315

 + (86) 186-8880-7020  goldy@imexao.com



@imexao